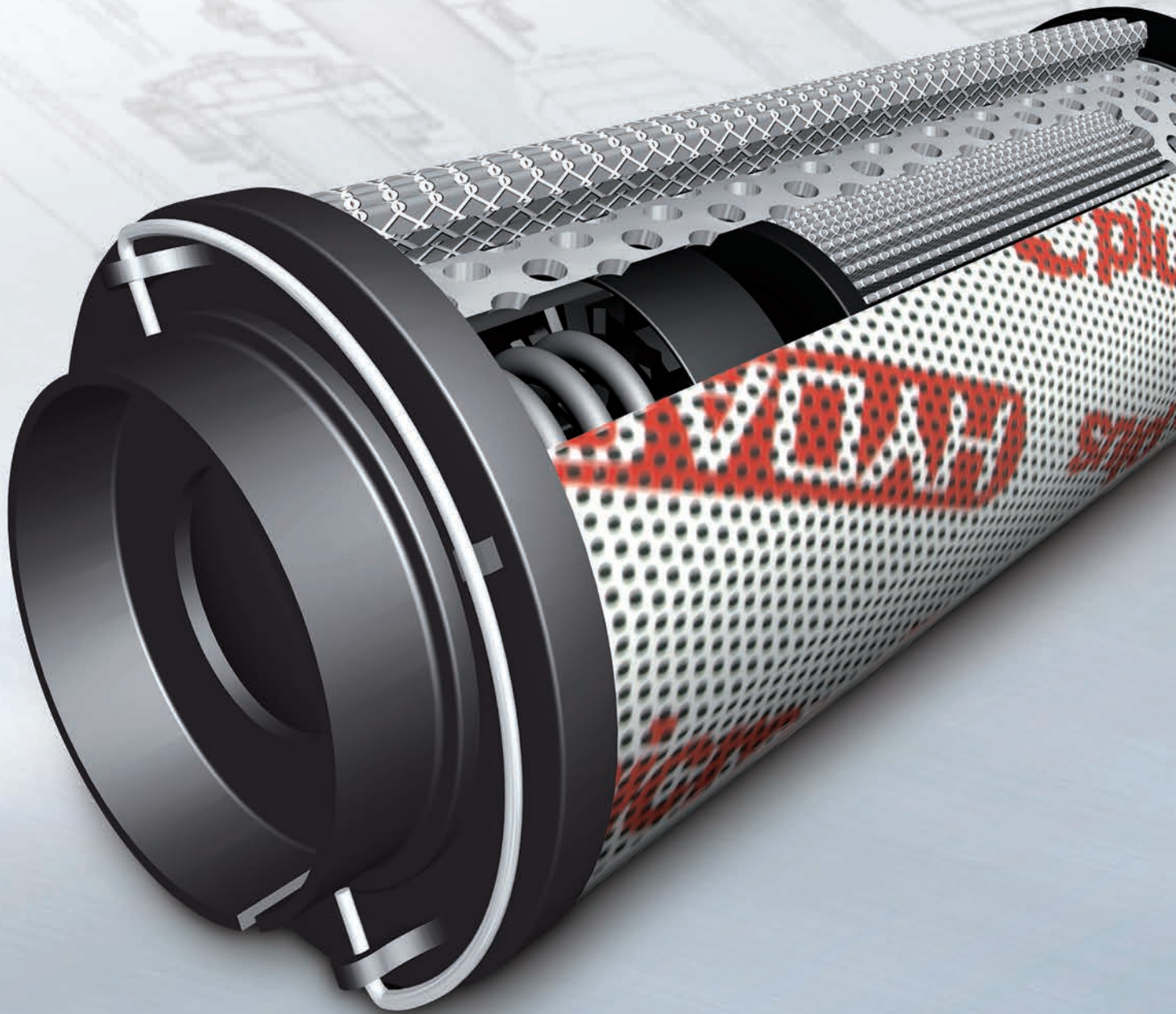


HYDAC INTERNATIONAL

**Fluid Filters.
Product Catalogue.**



HYDAC Filtration Technology...

...The Name You Can Trust for Filtration

HYDAC filtration technology is the culmination of rigorous laboratory testing as well as practical field-testing. It offers a complete range of filters for liquid and gaseous media.

The HYDAC Filter Division manufactures products tailored to market requirements and to the highest quality standards, backed by modern machinery and a large production capacity.

HYDAC Filtration Technology is based on intensive basic research, the solving of technical problems, specific customer requirements, and international standardization.

Development, Design, Production, Quality, Service and Distribution...

... are equally important to HYDAC. The concentration of all these functions in our independent filter division guarantees continuous processing, optimum cost/performance ratio, and a consistent quality standard.

Development at HYDAC means designing application-orientated filtration systems based on test results from our research and test laboratories as well as on-site measurements and analysis, taking into account the requirements of the user and the manufacturer.

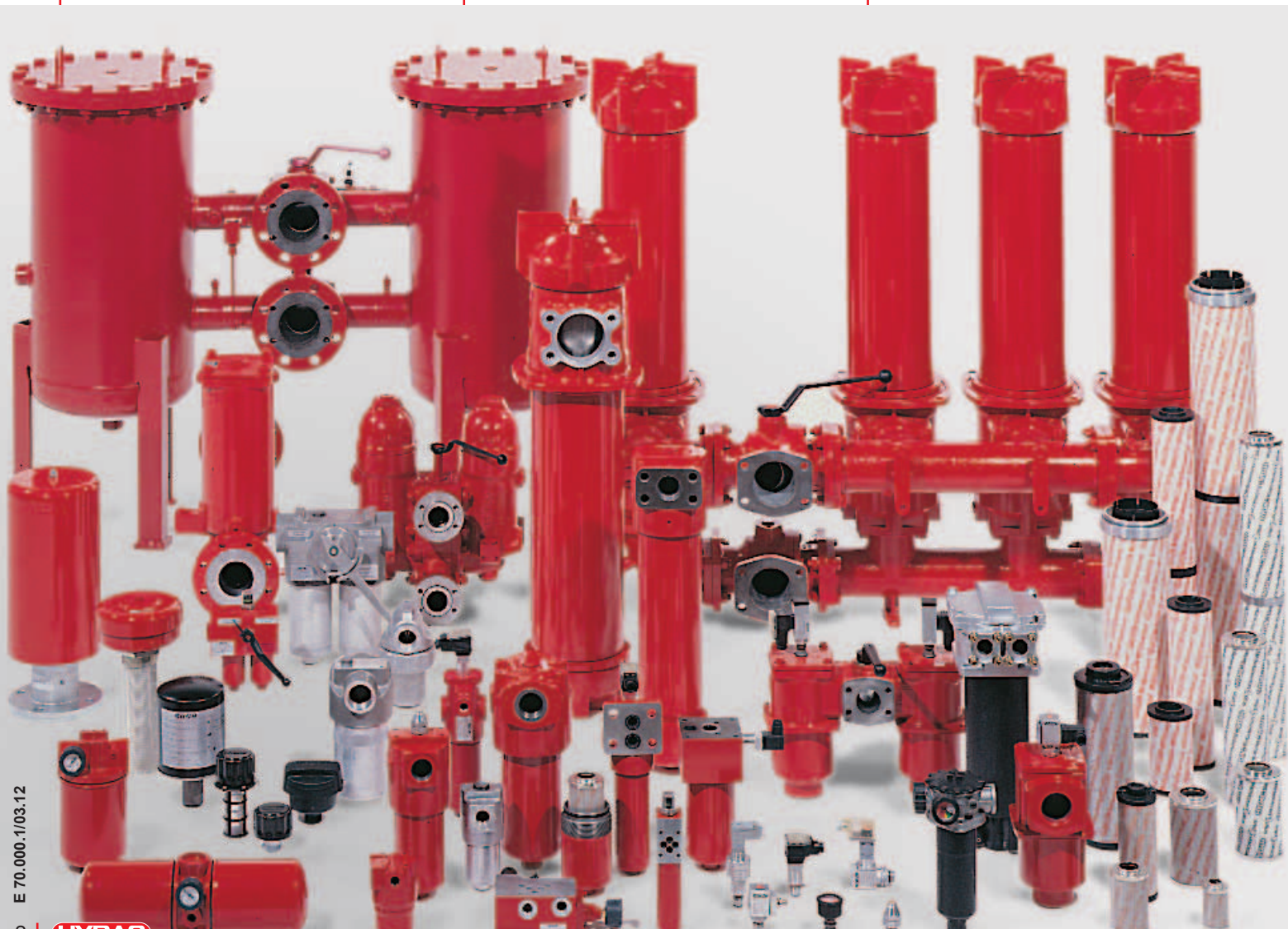
A skilled development team, using computer-aided analysis, measuring and testing equipment and test rigs, ensures rapid implementation of test results.

Production at HYDAC means large production capacity coupled with modern machinery and, in conjunction with efficient manufacturing processes, ensures an optimum price/performance ratio.

Quality has absolute priority at HYDAC. It is guaranteed by continuous production control and systematic laboratory tests.

Service and Distribution – worldwide – through our international network of sales offices and production companies.

- Many years of experience coupled with fast CAD design,
- supported by intensive research and testing,
- result in a market-orientated product range
- Quality and safety guaranteed by consistent clean room production.
- Every piece a quality product: NC controlled processing,
- semi and fully automatic manufacturing plant,
- strict controls, careful packaging, rapid despatch.



HYDAC Filters: Efficiency with Performance.



HYDAC Filters...

...Their quality guarantees reliable performance and increases the service life of components, systems and machinery.

Due to their design and application-orientated characteristics, HYDAC filters provide superior performance, such as:

- high beta stability across a wide differential pressure range
 - high pressure stability
 - high contamination retention capacity
 - long service life
 - low pressure drops
 - wide selection of filtration ratings
 - extensive model range
 - optimum filter materials for specific applications
 - wide range of applications
- and therefore increase the protection of components and reduce the downtime of machinery and systems.



HYDAC Servicenter



The HYDAC Servicenter, together with its service partners, offers you a complete package of services.

After in-depth consultation, you can create a service package tailored to your needs.

Whether it be support of existing in-house maintenance or sub-contracting the complete package, we will always find the best solution for you.

...more about Filtration?



Filters for Process Engineering

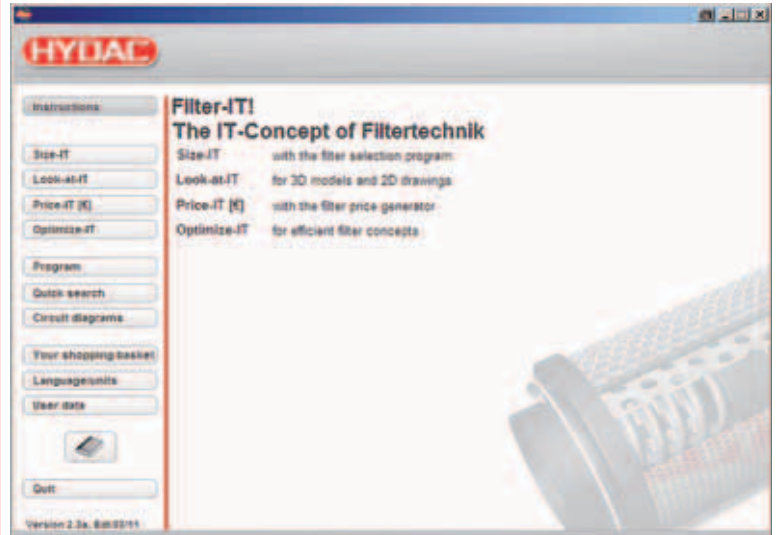
Working pressure: up to 600 bar
Working temperature: up to 400 °C
Filter elements: from 1µm absolute
Brochure no.: 7.700../..



Units for in-house servicing

Oil sampling and other laboratory units, portable and stationary filter pump transfer units, combined oil transportation and filtration units, dewatering units. Brochure no.: 7.929../..

Filter-IT! – The Electronic Filter Catalogue.



Here you will find the whole HYDAC Filtration Technology product range incorporated in one DVD: from technical data to product benefits, from brochures to spare part lists and parts explosion drawings for every filter size and type of connection.

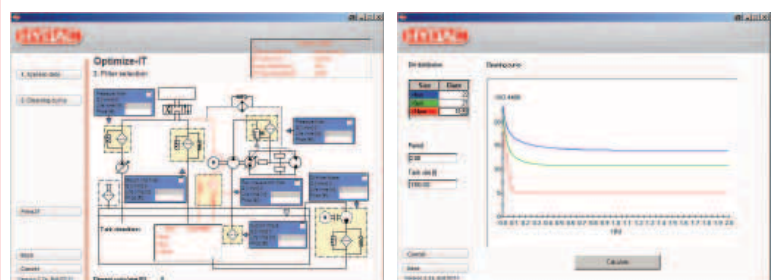
In addition, using the "Look-at-IT" function, it is possible to download the 3-D models and 2-D drawings for all filters in any format.



The sizing program "Size-IT" further provides computer-aided filter sizing, specific to your particular system and application profile

For our in-house filter specialists the automatic price generator "Price-IT" and the concept creation tool "Optimize-IT" are available for computer-aided optimization of systems. It enables our specialists to identify and compare cleanliness classes and achievable service lives for different filter concepts.

Based on the expected contamination, the optimum filter combination and filter size combination can be determined, right down to a specific calculation of the element costs per year.



We will, of course, be pleased to send you a copy of the CD "Filter-IT!". Alternatively, the program is available on our website www.hydac.com.

Introduction

Filtration Handbook			7.011../..	7
Preferred Ranges				29

Filter Elements

Standard			7.200../..	39
Betamicron			7.206../..	47
Betterfit			7.208../..	55

Filter Clogging Indicators

			7.050../..	63
--	--	--	------------	----

Breather Filters

Overview Brochure		11,000	7.411../..	109
BF – Tank Breather Filters		11,000	7.408../..	115
ELF – Tank Breather Filter with Filler Strainer		5,500	7.404../..	125
BDE – Breather Dryer			7.407.1../..	131
BDL, BDM – Breather Dryer			7.407../..	135
BL – Tank Breather Filter with Spin-On Cartridge		1,800	7.405../..	139
BLT – Tank Breather Filter and Dehumidifier		270	7.403../..	143
TC – TankConditioner®			7.410../..	145

Mobile Filters

Return Line (Suction Boost) Filters - Tank Mounted

RFM – Return Line Filter with 2-hole Mounting	10	2,600	7.106../..	157
RFM – Return Line Filter with 4-hole Mounting	10	850	7.106.1../..	163
RFMR – Return Line Filter - Tank Mounted Flow from In to Out	10	1,200	7.120../..	175
RKM – Return Line & Suction Boost Filter for Combined Hydraulic Circuits	10	800	7.108../..	179
RKM – Return Line & Suction Boost Filter – Optimized for Service	10	800	7.124../..	189
RKMR – Return Line Suction Filter Flow from In to Out	10	800	7.119../..	197

Inline Filter

MF/MFD – with Spin-On Cartridge	8	300	7.301../..	201
LPF../-TH – Inline Filter with Integrated Thermal Bypass Valve	50	140	7.126../..	207
LPF../GGA../ – Inline Filter - Flange-Mounted with Integrated Cooler Bypass Valve	50	260	7.574.1../..	209
MFX – Inline Filter	50	130	7.123../..	211
LFM – Inline Filter with Differential Pressure Relief Valve	63	120	7.567../..	215
MFM – Inline Filter	280	100	7.556../..	219
MFM../-OIU – Inline Filter with Inlet and Outlet on Same Side	280	100	7.556.1../..	223
MFM../L../ – Inline Filter with Ports in L-Configuration	280	100	7.556.2../..	225
DFM – Inline Filter with Differential Pressure Relief Valve	400	280	7.565../..	227
ILF – Inline Filter	350	120	7.569../..	231
HFM – Inline Filter	400	140	7.566../..	237

Suction filters

SF – Suction Filter, Tank Mounted		300	7.406../..	241
SFM – Suction Filters		300	7.406../..	241
SFF – Suction Filter with Foot Valve		500	7.406../..	241
SFAR – Suction Filter with Foot Valve and Flow from In to Out		150	7.412../..	249
SFFR – Suction Filter with Foot Valve and Flow from In to Out		400	7.409../..	253
S – Suction Filter Elements		450	7.406../..	241
S... – Suction Filter Element for Mounting on Outside of Tank		120	7.406../..	241

Industrial Filters

Return Line Filters – Tank Mounted

RFN – Return Line Filter - Tank Mounted - to DIN 24550	10	630	7.560../..	257
RF – Return Line Filters - Tank Mounted	25	15,000	7.116../..	261

Change-Over Return Line Filters – Tank Mounted

RFND – Change-Over Return Line Filter, Tank Mounted, to DIN 24550	10	630	7.570../..	271
RFD – Change-Over Return Line Filter, Tank Mounted	25	1,300	7.117../..	275

Inline Filter

RFL – Inline Filter - Welded Version	16	15,000	7.104../..	279
NF – Inline Filter	25	3,500	7.112../..	283
LPFR – Inline Filter with Flow from In to Out	25	250	7.573../..	291
FLN – Inline Filter to DIN 24550	25	400	7.562../..	293
RFLR – Inline Filter with Flow from In to Out	25	1,200	7.572../..	297
RFL – Inline Filter - Cast Version	40	1,300	7.118../..	301
LPF – Inline Filter	50	280	7.114../..	305
LF – Inline Filter	100	660	7.563../..	309
LFF – Inline Filter for Reversible Oil Flow	100	240	7.563../..	309
LFN – Inline Filter to DIN 24550	100	100	7.557../..	313
LFNF – Inline Filter for Reversible Oil Flow to DIN 24550	100	100	7.557../..	313
LFR – Inline Filter with Flow from In to Out	120	250	7.573../..	291
MDFR – Inline Filter with Flow from In to Out	250	250	7.573../..	291
MDF – Inline Filter	280	350	7.502../..	317
HDF – Inline Filter	280 (420)	380	7.581../..	321
HDFR – Inline Filter for Reversible Oil Flow	280 (420)	380	7.581../..	321
DFN – Inline Filter to DIN 24550	400	400	7.557../..	313
DFNR – Inline Filter for Reversible Oil Flow to DIN 24550	400	400	7.557../..	313
DF – Inline Filter	420	2,000	7.501../..	325
DFF – Inline Filter for Reversible Oil Flow	420	1,000	7.501../..	325
DFFX – Inline Filter for Reversible Oil Flow – Δp-optimized	420	1,000	7.501../..	325

Change-Over Inline Filters

RFLD – Change-Over Inline Filter - Weld Version	16	15,000	7.110../..	333
NFD – Change-Over Inline Filter	25	2,000	7.113../..	341
FLND – Change-Over Inline Filter to DIN 24550	63	400	7.561../..	349
RFLD – Change-Over Inline Filter - Cast Version	64	2,500	7.109../..	353
FMND – Change-Over Inline Filter to DIN 24550	250	400	7.564../..	361
DFDK – Change-Over Inline Filter	315	2,500	7.553../..	365

Manifold Mounted Filters

LPF...D A – Inline Filter - Flange-Mounted	25	280	7.574../..	373
DF...K P – Inline Filter - Flange-Mounted	180	550	7.555.1../..	377
DF...MHA/DF...MHE – Pressure Filter - Flange-Mounted up to 100 million cycles	250	550	7.555../..	383
DF...M A – Pressure Filter - Flange-Mounted	250	200	7.555../..	383
DF...M P – Pressure Filter - Flange-Mounted	260	280	7.555.1../..	377
DFZ – Pressure Filter for Sandwich Stacking	315	80	7.552../..	389
DF... Q E – Pressure Filter - Flange-Mounted	315	550	7.555../..	383
DFFP – Pressure Filter for Manifold Mounting	315	600	7.551../..	393
DFFR – Pressure Filter for Reversible Flow and for Manifold Mounting	315	600	7.551../..	393

Filters to US Automotive Standard

HF4R – Return Line Filter	10	450	7.121../..	399
HF2P – Inline Filter (also Manifold Mounted Filter)	280	100	7.575../..	403
HF4P – Inline Filter (also Manifold Mounted Filter)	350	450	7.576../..	407
HF3P – Inline Filter	420	450	7.571../..	411

Filters for Oil and Gas Applications

SSRF – Return Line Filter	25	150	7.129../..	415
SSRFD – Change-Over Return Line Filter	25	150	7.129../..	415
EMLF – Return Line Inline Filter	40	150	7.577../..	421
MPSSF – Inline Filter (also Manifold Mounted Filter)	450	130	7.580../..	425
HPSSF – Inline Filter	700	130	7.579../..	433
ACSSF – Inline Filter	1,035	100	7.578../..	439

Diesel Filters

Image Brochure			7.125../..	445
HDP Diesel PreCare	up to 600 l/h		7.127../..	453

Maintenance Instructions

457

Addresses

463

Filtration Handbook

In the following pages you will find the basic principles of filtration illustrated and explained using simple examples.

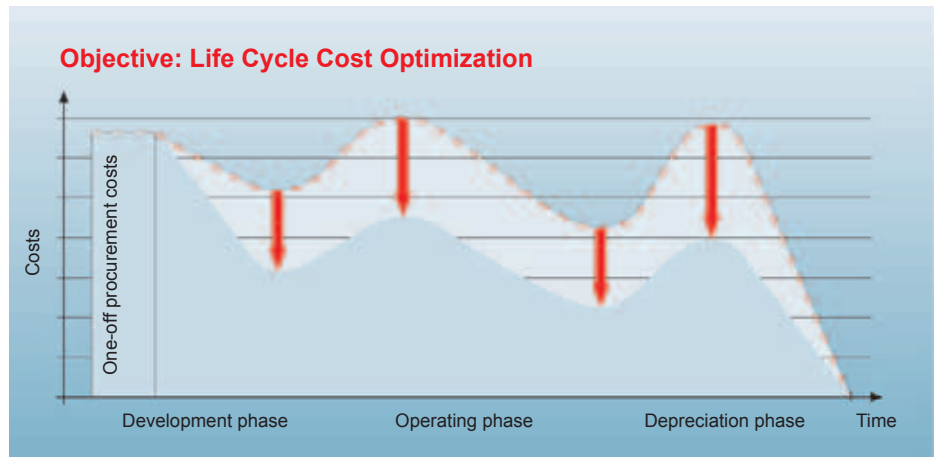
For filtration and hydraulics specialists requiring more detailed information, we recommend downloading our complete filtration handbook (www.hydac.com).

If you have any questions about the contents of this brochure or if you have a specific problem to solve, we will be happy to help you in person. Please contact your nearest HYDAC representative or contact our headquarters.

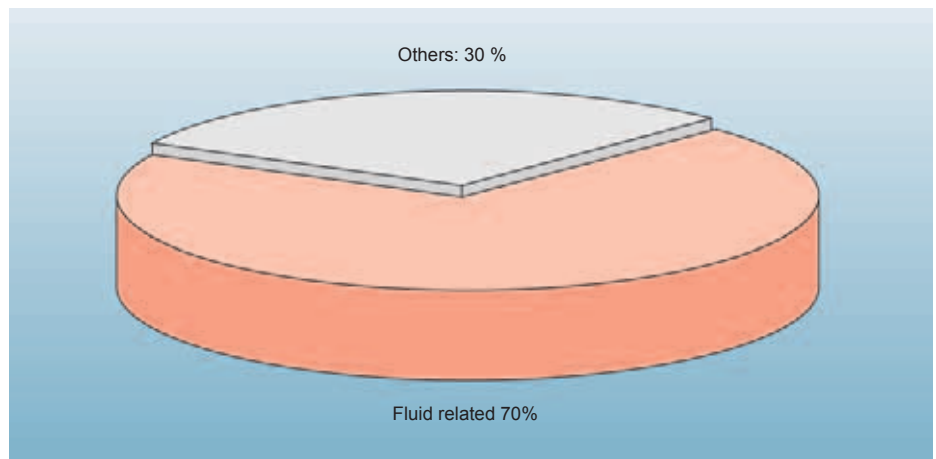
Awareness of fluids

As a manufacturer or operator of machines or systems in today's fast-moving and globalized market in Central Europe, every possible means must be taken to continually improve competitiveness.

Primarily, this implies reduction in costs, not only of the purchase cost but of all costs generated during the **whole lifetime** of the system (Life Cycle Cost Reduction).



The condition of the operating fluid plays a key role in this objective since approximately **70 % of all breakdowns of hydraulic and lubrication systems can be attributed to the condition of the oil** - with proven detrimental effects on the efficiency and profitability of systems and equipment.



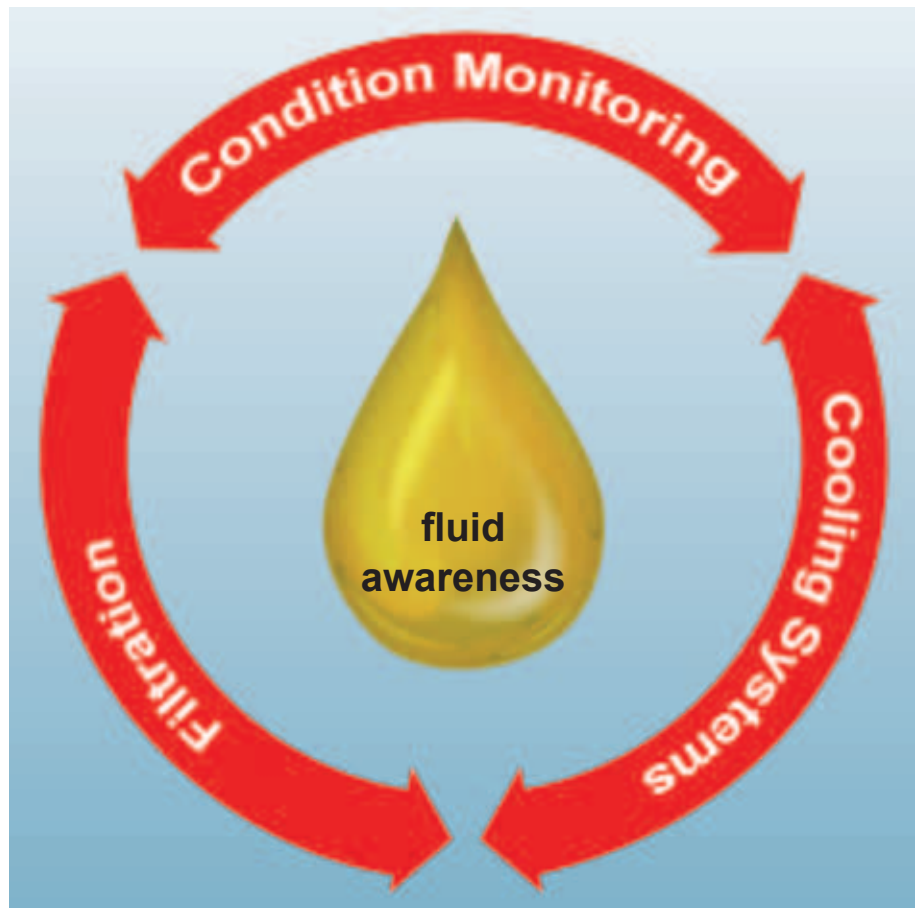
Causes of breakdowns in hydraulic and lubrication systems

Once the direct connection between fluid condition and the profitability of hydraulic and lubrication systems is recognized, the action required becomes obvious: cooling, continuous online monitoring and a well-engineered filtration concept, which guarantee the efficiency and operational reliability of the entire system.

Although this filtration handbook - as the name suggests - deals primarily with the "filter" component, HYDAC experts will also provide you with modern solutions which are specific to your system in the areas of cooling and condition monitoring.

Only by taking an integrated approach is it possible to improve the condition of the fluid used and to reduce the Life Cycle Costs.

As HYDAC's hydraulic experts, we want to focus attention on **fluid awareness** and we would like to share our experience with you. The following pages relate to filtration, but we can also help you in relation to cooling and condition monitoring if required.



Why is filtration so important?

Selecting the optimum filtration solution contributes significantly to preventing damage caused by contamination, to increasing the availability of the system and therefore to increasing productivity considerably.

The new filter element technology Betamicron®4 has been specially developed for the reduction of the Life Cycle Cost. The previous glass fibre elements from HYDAC (Betamicron®3 generation) provided complete security: a high level of fluid cleanliness and long-term stability for your hydraulic or lubrication system.

The new generation goes one better: with further improvements to the performance data the elements with Betamicron®4 technology ensure the highest fluid cleanliness. By optimizing the filter media structure both the separation performance and the contamination retention capacity have increased to a large extent. This means that sensitive components are protected over the long term and the filter element has a significantly longer service life.

Furthermore, even fluids with extremely low conductivity can be filtered without electrostatic discharge taking place within the filter element, due to a special feature on the filter mesh pack. This is another benefit therefore in the area of operating reliability and gives HYDAC the cutting edge in the area of element innovation.

The table on the right summarizes the positive effect of the new element technology, Betamicron®4, on the Life Cycle Cost of your machine or system.



		Optimized mesh-pack structure	Optimized longitudinal seam	Zinc-free structure	Spiral lock support tube	Protective outer sleeve	Electr. discharge capability
		minimizes					
Energy	Costs	●					
Personnel		●	●			●	●
Logistics				●	●		
Failure		●	●	●		●	●
Production		●	●				●
Repair		●	●	●		●	●
Maintenance		●	●	●		●	●
Spare parts		●	●	●		●	●
Waste disposal					●		

More detailed information such as technical specifications and customer benefits can be found in the brochure **"Filter Elements Betamicron®4. For Reduced Life Cycle Cost"**.

What kinds of damage does contamination cause?

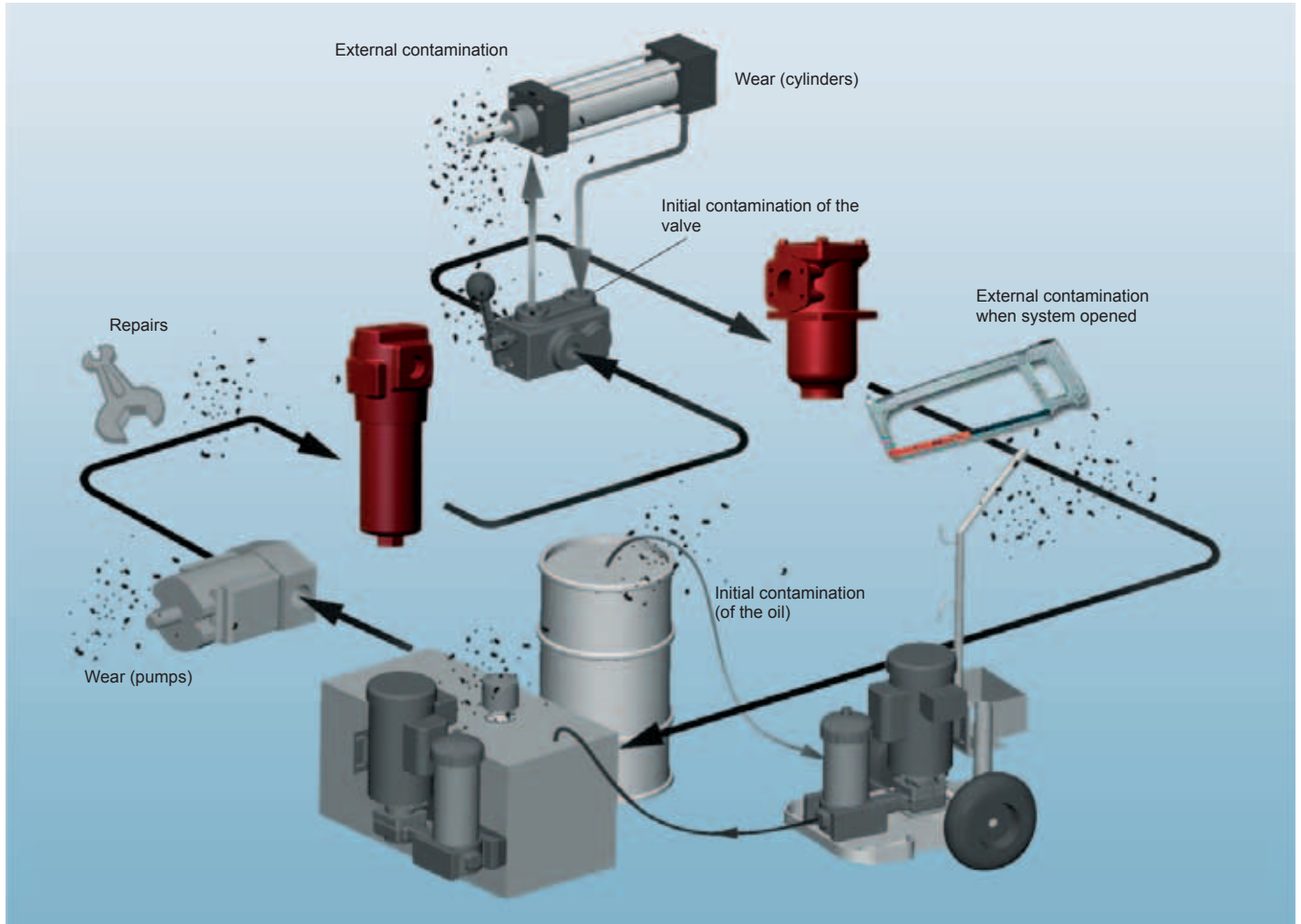
Contamination has a detrimental effect on the functions of hydraulic and lubricating fluids, e.g. the transfer of heat and energy, even leading to system failure.

Subsequent damage analyses have shown that approx. 75% of system failures are attributed to damage to the components used, which was caused by contamination of the operating fluid.

Causes of contamination

What are the causes of contamination and which mechanisms can lead to a rise in the costs outlined above?

The following illustration indicates possible contamination sources:



Origin / formation of contamination:

Built-in contamination from integrated components (e.g. valves, fluids, cylinders, pumps, tanks, hydraulic motors, hoses, pipes)

Contamination produced during assembly of the system, by opening the system, during system operation and during fluid-related system failure.

Contamination entering from outside the system, through:

- tank breathing
- cylinders, seals

Contamination entering the system during maintenance procedures

- system assembly/disassembly
- opening the system
- filling with oil

If the usually high-value components are damaged by solid contamination in the hydraulic and lubricating media, system faults, including unplanned shutdowns can occur.

The severity of the component damage depends on the material of the contamination, the operating pressure, the type (round or sharp-edged) and the size and quantity of particles.

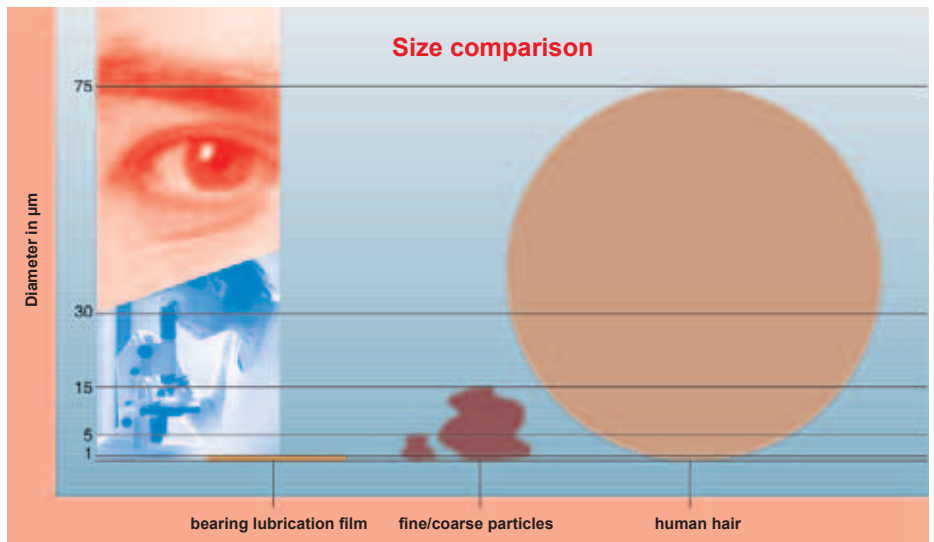
As a rule of thumb: the harder the particles, the more extensive the component damage and the higher the operating pressure, the more forcefully the particles become lodged in the lubrication clearance.

It often goes unrecognized that the majority of these solid particles is smaller than 30 µm and they are therefore not visible to the naked eye. This means an apparently clean fluid can, in fact, be badly contaminated.

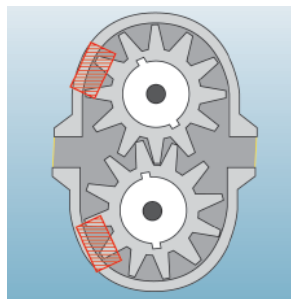
Particularly critical are particles which are the same size as the clearance between moving parts.

This is compounded by the fact that hydraulic users are constantly demanding smaller and lighter, high-performance components which reduces the clearances even further.

In the following diagrams you will find the typical clearances.

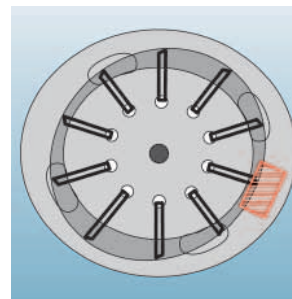


On hydraulic pumps:



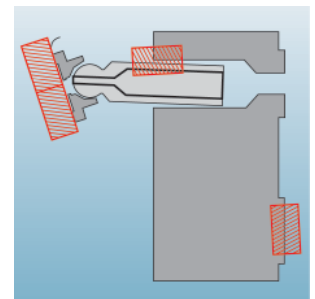
Gear pump
Dynamic clearance

Tooth to side panel: 0.5-5 μm
Tooth point to housing: 0.5-5 μm



Vane pump
Dynamic clearance

Vane rim: 5-13 μm
Vane duct: 0.5-1 μm

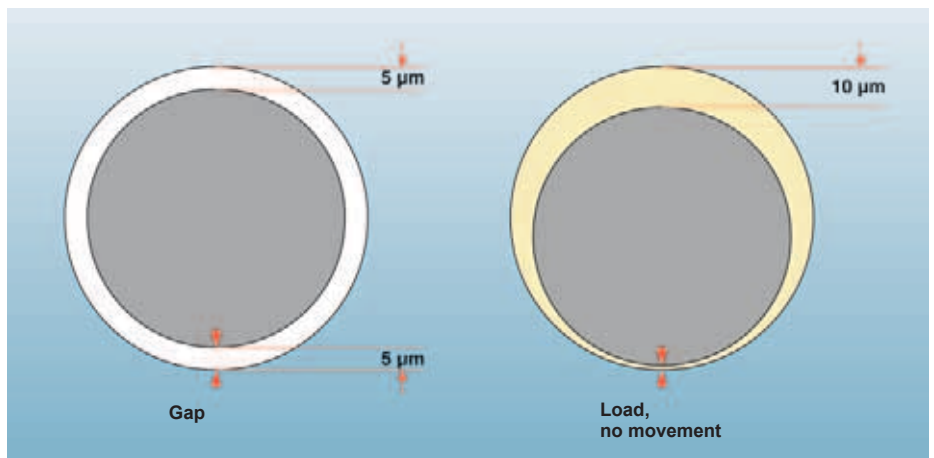


Piston pump
Dynamic clearance

Piston to bore: 5-40 μm
Valve plate to cylinder: 0.5-5 μm

On valves:

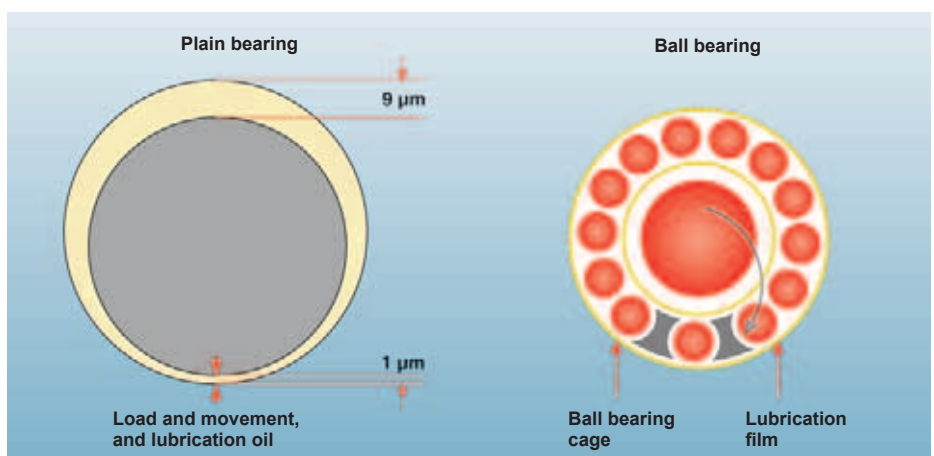
- Servo valve 1 - 4 μm
- Proportional valve 1 - 6 μm
- Directional control valve 2 - 8 μm



The operational or dynamic lubricating film is not the same as the machine clearance and is dependent on the force, speed and viscosity of the lubrication oil.

Therefore the lubricating film separates the moving surfaces in order to prevent metal-to-metal contact.

Components	Clearance (μm)
Plain bearing	0.5-100
Ball bearing	0.1-3
Hydrostatic ball bearing	1-25



What types of wear are there?

1. Abrasion

caused by particles between reciprocating surfaces.

2. Erosion

caused by particles and high fluid velocity.

3. Adhesion

caused by metal-to-metal friction (loss of fluid).

4. Surface fatigue

surfaces damaged by particles are subjected to repeated stress.

5. Corrosion

caused by water or chemicals (not examined below).

Effects of wear in the case of a hydraulic cylinder:

Rod seal wear

→ External oil leak

Guide bush wear

→ Loss of rod alignment

Piston seal wear

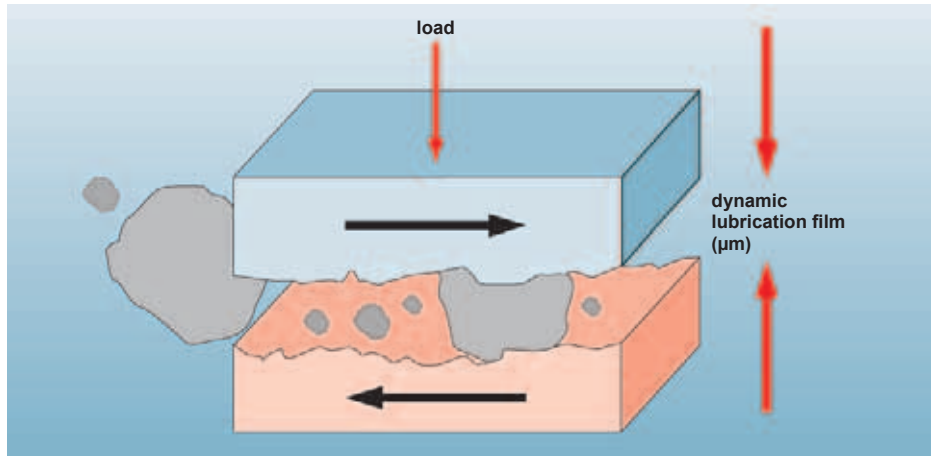
→ Loss of cylinder speed

→ Loss of holding ability

Piston bearing wear

→ Loss of rod alignment

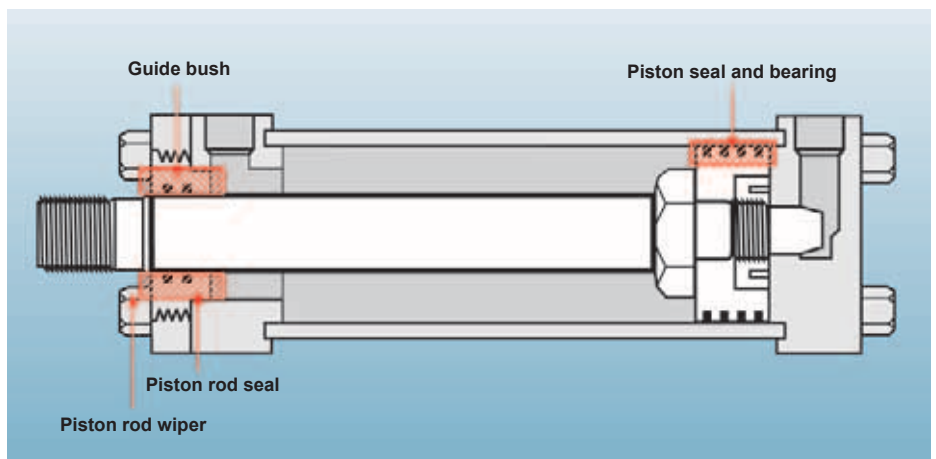
1. Abrasion



Abrasion caused by foreign bodies

Effects of abrasion:

- Changes to tolerances
- Leakage
- Reduced efficiency
- Particles produced in the system create more wear!



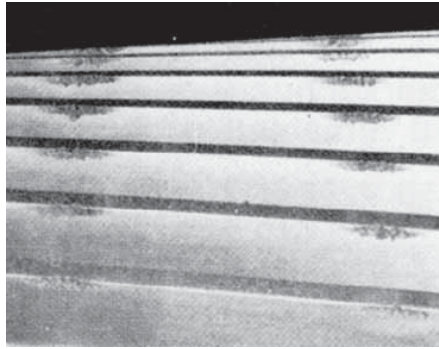
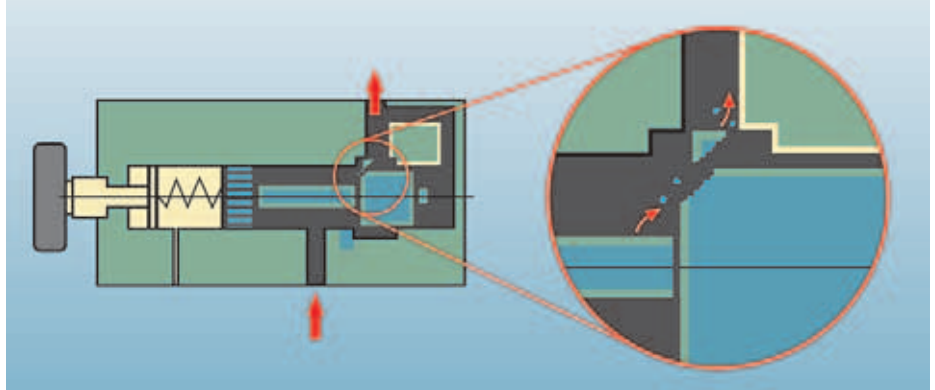
Damaged cylinder piston

Effects of erosion:

The high velocity of the fluid forces existing particles against the corners and edges of the system.

Other coarse and fine particles therefore become detached from the surface and there is a gradual attack on the surfaces in the system.

2. Erosion



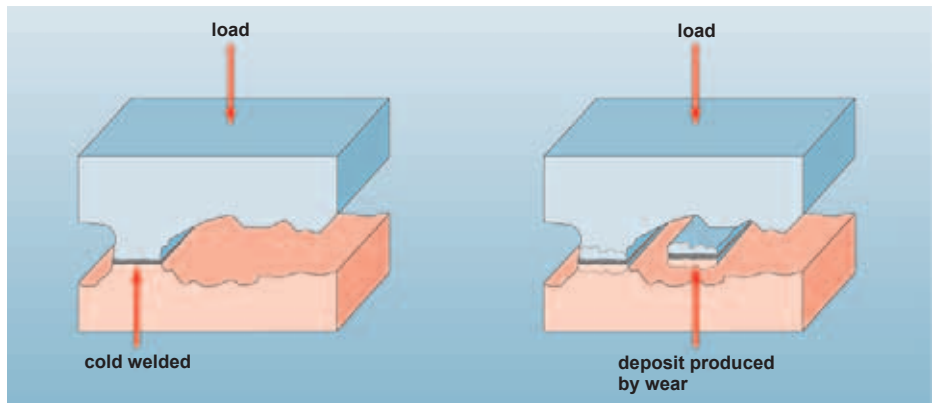
Erosion damage on the cog wheel

Effects of adhesion:

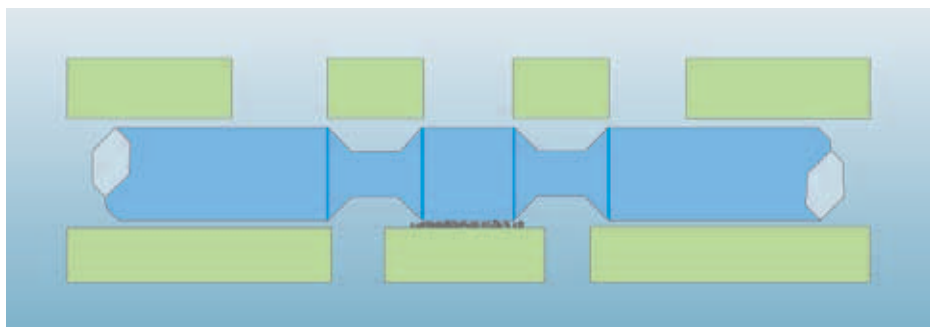
Low speed, excessive load and/or a reduction in fluid viscosity can reduce the oil film thickness.

This can result in metal-to-metal contact, and also possible shearing.

3. Adhesion

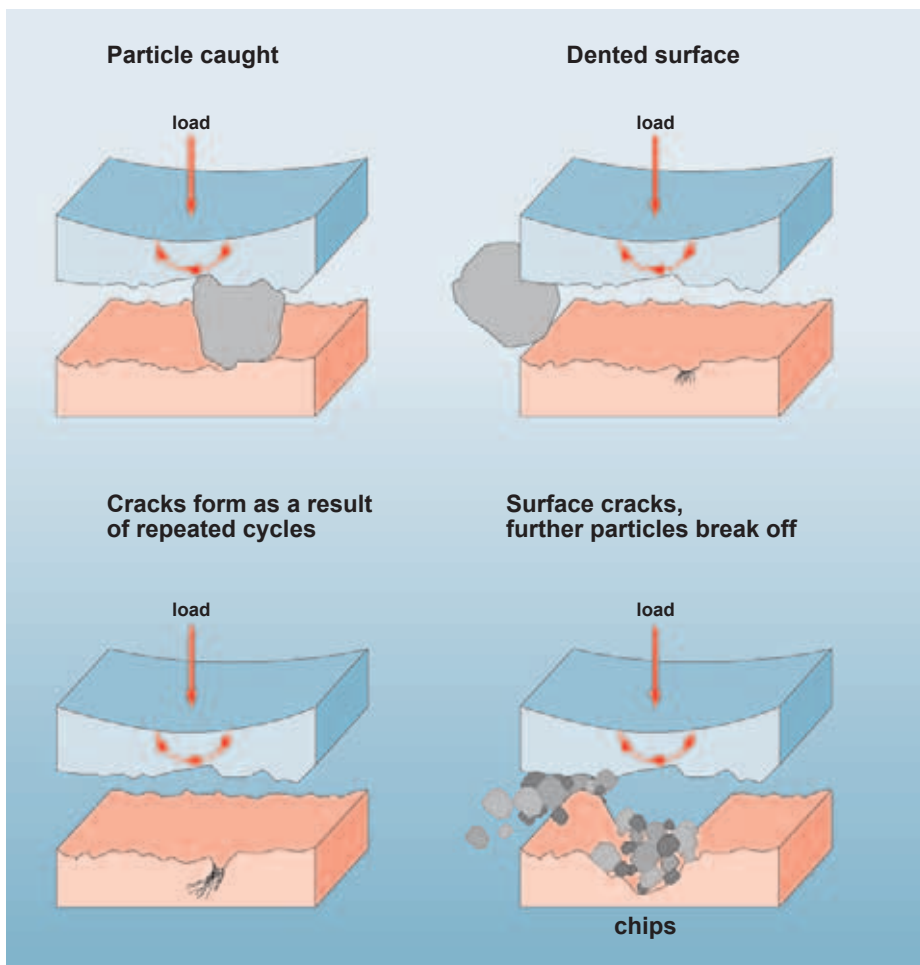


Adhesion on ball bearing



The smallest cracks in the surface are hollowed out causing material to break off, therefore creating new particles. This action causes an increase in wear.

4. Surface fatigue



Surface fatigue on ball bearing

How clean should the fluid be?

Classification of the solid particle contamination

The classification of solid particle contamination in lubrication and hydraulic fluids follows ISO 4406/1999.

To determine the cleanliness level the solid particles present in 100 ml fluid are counted, sorted according to size & quantity and classified into particle ranges.

Depending on the method of particle counting, there are 2 or 3 ranges:

The ISO Code can be "translated" into a maximum particle quantity for each particle size range with the aid of the adjacent table.

This code is specified for each size range.

The oil cleanliness level determined by electronic particle counters is expressed as a combination of three numbers, e.g. 21/18/15; the particle quantity determined by microscopic counting is expressed as a combination of two numbers, e.g. -/18/15.

Particle counting method	Particle sizes (Code no.)		
	> 4 $\mu\text{m}_{(C)}$	> 6 $\mu\text{m}_{(C)}$	> 14 $\mu\text{m}_{(C)}$
Automatic particle counter	> 4 $\mu\text{m}_{(C)}$	> 6 $\mu\text{m}_{(C)}$	> 14 $\mu\text{m}_{(C)}$
Microscopic counting	---	> 5 μm	> 15 μm

ISO Code (to ISO 4406)	Particle quantity/100ml	
	from	to
5	16	32
6	32	64
7	64	130
8	130	250
9	250	500
10	500	1000
11	1000	2000
12	2000	4000
13	4000	8000
14	8000	16000
15	16000	32000
16	32000	64000
17	64000	130000
18	130000	260000
19	260000	500000
20	500000	1000000
21	1000000	2000000
22	2000000	4000000
23	4000000	8000000
24	8000000	16000000
25	16000000	32000000
26	32000000	64000000
27	64000000	130000000
28	130000000	250000000

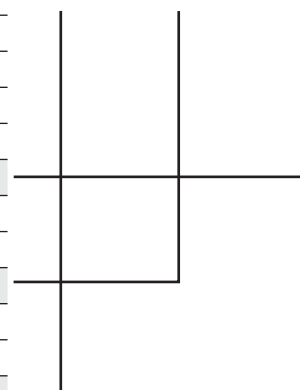
Determined using...

...electronic particle counter

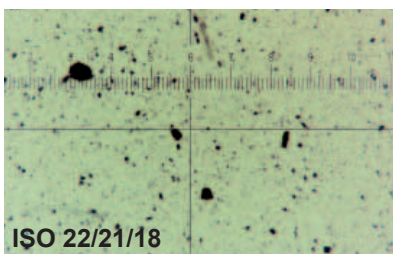
21 / 18 / 15
 >4 μm_c >6 μm_c 14 μm_c

...microscopic counting

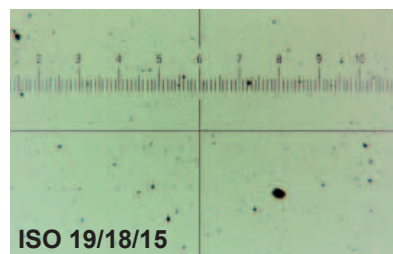
- / 18 / 15
 >5 μm_c 15 μm_c



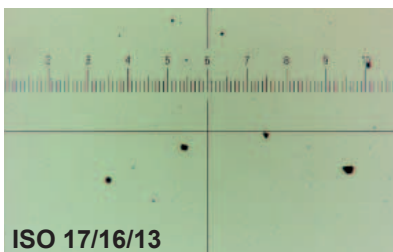
Typical cleanliness level:



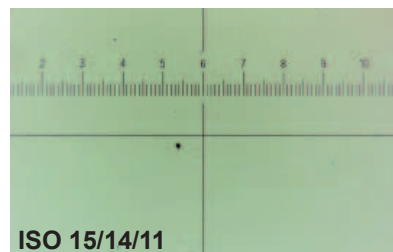
New oil, delivered in drums



New oil, delivered in road tanker



New oil, delivered in mini-container



Required for modern hydraulic systems

Cleanliness requirements for lubricating and hydraulic components

The cleanliness level required in lubricating and hydraulic systems is determined by the most sensitive component.

Numerous manufacturers of components for lubrication, industrial and mobile hydraulics specify the optimum cleanliness requirements for their components. If more heavily contaminated, the fluid can lead to a significant reduction in service life of those components. Therefore we recommend contacting the particular manufacturer for written recommendations concerning the cleanliness of the fluid.

In the case of warranty claims, this information is important in order to reject claims for damages. If the component manufacturers do not have specific data concerning the required cleanliness level, the following table can be used:

The cleanliness levels shown in the table are based on an operating pressure from 100 to 160 bar, a normal level of ambient contamination and normal system availability.

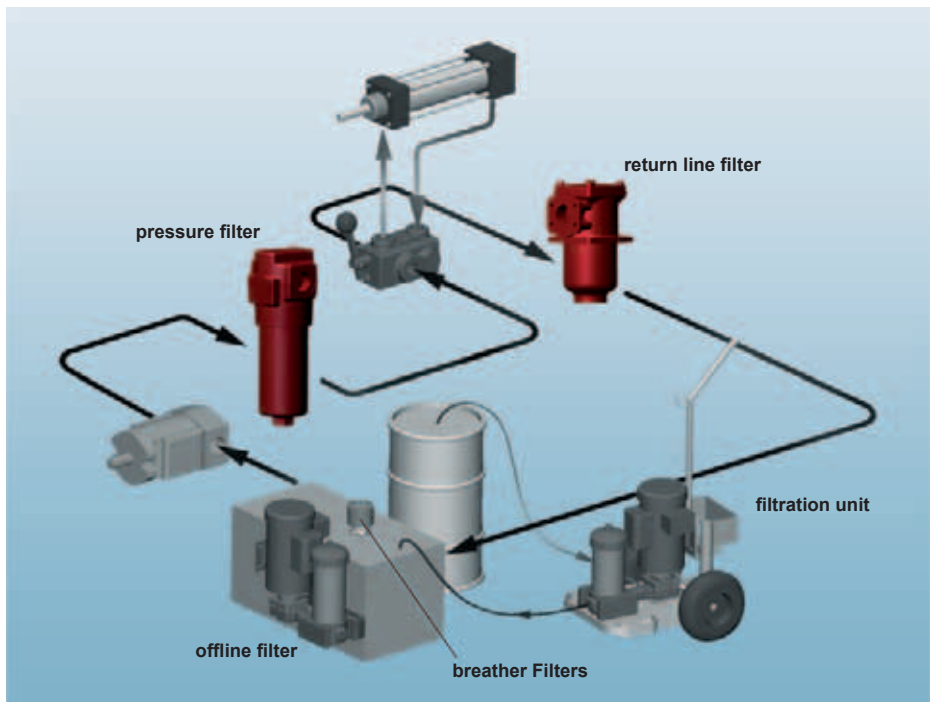
Therefore, the following criteria must be taken into account when determining the required cleanliness class of the fluid:

Type of system/Area of application/Components	Recommended cleanliness class
Systems with servo hydraulics sensitive to fine contamination	15/13/10
Industrial hydraulics ● Proportional technology ● High pressure systems	17/15/12
Industrial and mobile hydraulics ● Solenoid control valve technology ● Medium pressure and low pressure systems	18/15/12 19/16/14
Industrial and mobile hydraulics with low requirement for wear protection	20/18/15
Forced-feed circulatory lubrication on transmissions	18/16/13
New oil	21/19/16
Pumps/Motors ● Axial piston pump ● Radial piston pump ● Gear pump ● Vane pump	18/16/13 19/17/13 20/18/15 19/17/14
Valves ● Directional valves ● Pressure valves ● Flow control valves ● Check valves ● Proportional valves ● Servo valves	20/18/15 19/17/14 19/17/14 20/18/15 18/16/13 16/14/11
Cylinders	20/18/15

		Correction factor for the recommended cleanliness
Operating pressure	less than 100 bar	1 class worse
	more than 160 bar	1 class better
Expected service life of the machine	up to 10 years	no correction
	over 10 years	1 class better
Repair and spare part costs	high	1 class better
Downtime costs due to shutdown	up to 10,000 €/hr.	no correction
	over 10,000 €/hr.	1 class better
Pilot system (system which significantly affects the manufacturing process or cycle)		1 class better

What kinds of filters are there and when are they used?

Installation location of filters



Suction filters

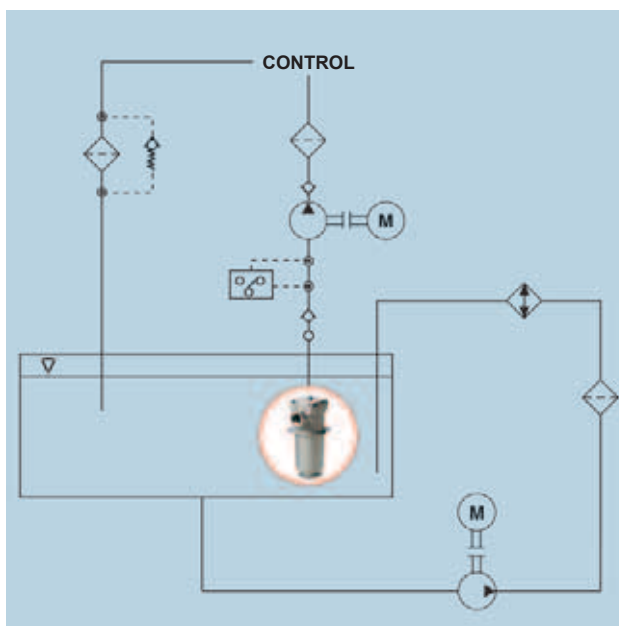
These filters are installed between the tank and the booster pump to protect the pump from coarse contamination which can cause a high level of wear in the pump.

They can be installed inline, at the intake port in the tank or below the tank.

To prevent hazardous operating conditions for the pump, we recommend using a vacuum gauge between the filter and pump.

Due to the risk of pump cavitation, relatively coarse filter materials with a filtration rating of $> 25 \mu\text{m}$ are used.

For this reason, suction filters are **not** suitable for ensuring the component protection necessary for the economical operation of the system.



SF, SFM, suction filter element
Extract from product range

Suction filters	
Advantages	Please note
<ul style="list-style-type: none"> ● Protects the pump against coarse contamination 	<ul style="list-style-type: none"> ● Fine filtration not possible ● Pump must be protected against cavitation (vacuum switch) ● Risk of cavitation, particularly at low temperatures (cold start) ● To guarantee protection from wear, other filters must be installed

Pressure filters

This type of filter is defined in the DIN 24550 standard as an inline filter designed for a specific nominal pressure. It can be installed before or after the boost pump, but also in the return line between components and tank.

Wherever the filter is installed, the housing must be sized in accordance with the system pressure, the pressure pulsations and the flow rate.

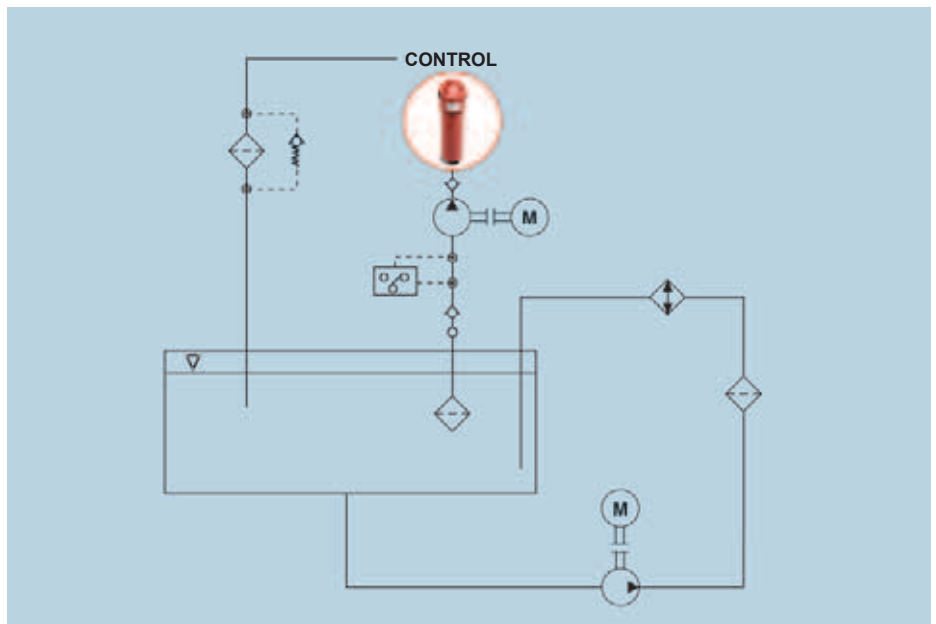
To enhance the reliability of the whole hydraulic and lubrication system, filter housings are designed to have high fatigue strength. The filter housings are flow-optimized to be able to achieve a low pressure drop and a compact, space-saving design. They therefore make a significant contribution to the economy of the whole system. On mobile machines which comply with the latest regulations, the space-saving housing concept offers considerable advantages. To reduce the risk of unwanted leaks from the inline filter during operation, these can be integrated into a cost-optimized hydraulic or lubrication module. To protect particularly sensitive components, such as servo and proportional valves, we recommend installing this type of filter immediately before the component. However, in particular, the high dynamics in the control circuits must be taken into account in this case.

Inline filters which are fitted with filter elements where the flow is from out to in, should preferably be installed in systems which have high pressure pulsations and where the filter housing has no bypass valve.

On systems with a high contamination load, as with cooling lubricants, for which additional effective filtration of metallic particles is required, HYDAC recommends installing filter housings in which the flow through the filter elements is from in to out.

Depending on where the inline filter is installed in the machine, this type of housing offers advantages for element change.

Pressure filters must always be fitted with a clogging indicator. Before particularly critical components, only inline filters without bypass valves should be used. Such filters must be fitted with a filter element which must itself be able to withstand higher differential pressures without sustaining any damage.



Inline filters



DF 420 bar



MFM 280 bar



LPF 50 bar

Extract from product range

Manifold-mounted filters



DFZ 315 bar



DF...M A 250 bar
DF...Q E 315 bar



DFP 315 bar

Extract from product range

Pressure filters	
Advantages	Please note
<ul style="list-style-type: none"> ● Filtration is directly before the components which need protection ● Required cleanliness level is guaranteed 	<ul style="list-style-type: none"> ● More expensive filter housing and element due to pressure load ● Complex element construction as a result of the necessary differential pressure resistance ● Pump is not protected ● In the case of single filters, the system has to be switched off to change the element.

Return line filters

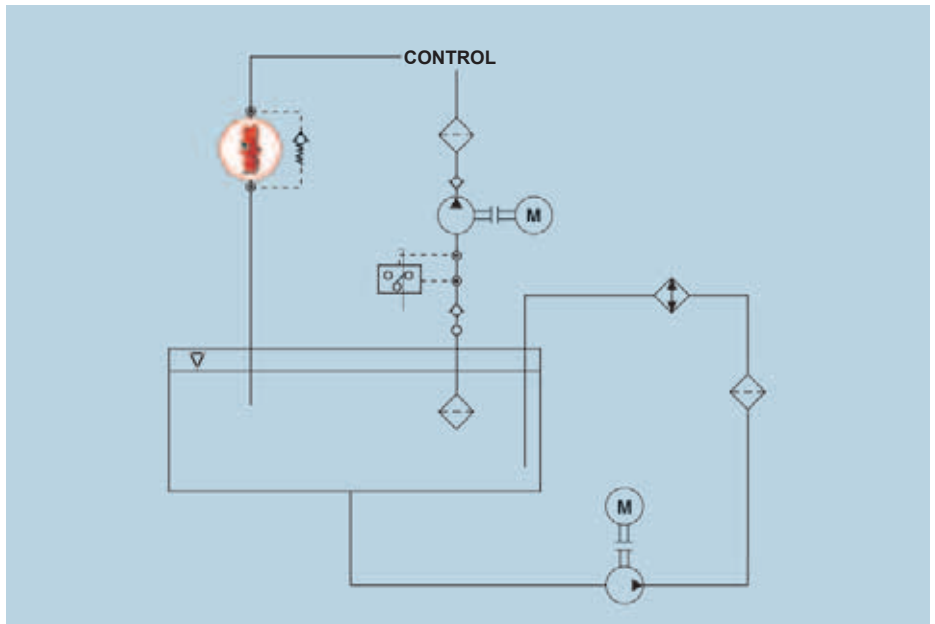
This type of filter can either be installed inline (in the hydraulic tank line) or as a tank-mounted filter (on top of the hydraulic tank).

To prevent dangerous malfunctions in hydraulic components as a result of excessive back-pressure in the return line, return line filters are usually fitted with a bypass valve. For systems which are operated around the clock, the filter housing must be of the change-over type so that the system does not need to be switched off for filter maintenance. So that the oil flow is not interrupted during the change-over process, causing undersupply to the lubrication points, the change-over valve is designed with negative overlap.

When selecting the correct filter size, the maximum possible flow rate must be taken into account. This corresponds to the area ratio of piston to piston minus the rod of hydraulic cylinders and can be greater than the flow rate generated by the pumps.

In order to prevent possible foaming of the fluid in the tank, make absolutely sure that the fluid outlet from the filter is always below the fluid level in all operating conditions. It may be necessary to fit a pipe or a flow rate diffuser in the filter outlet. It is important that the distance between the floor of the tank and the end of the pipe is no less than two to three times the pipe diameter.

Return line filters can be fitted with breather filters as additional equipment.



Return line filters



RF



NF



RFN

Extract from product range

Return line filters	
Advantages	Please note
<ul style="list-style-type: none"> ● All fluid flowing back to tank is filtered ● No system contamination reaches the tank ● Filter housing and element are excellent value 	<ul style="list-style-type: none"> ● In the case of high-value components a pressure filter must be used in addition ● It is advisable to fit a bypass valve ● In the case of elements with low differential pressure resistance, it is possible for the element to burst as a result of multiple pulsations ● In the case of single filters, the system has to be switched off to change the element ● Large filters are required for high flow rates (area conversion for differential cylinders)

Return line & Suction Boost Filters

This type of filter has the advantage that the pump capacity (pressure and flow rate) installed in the steering and working hydraulics is implemented to supply the usually high-value drive hydraulics, which have a strict requirement for oil cleanliness, exclusively with filtered hydraulic oil.

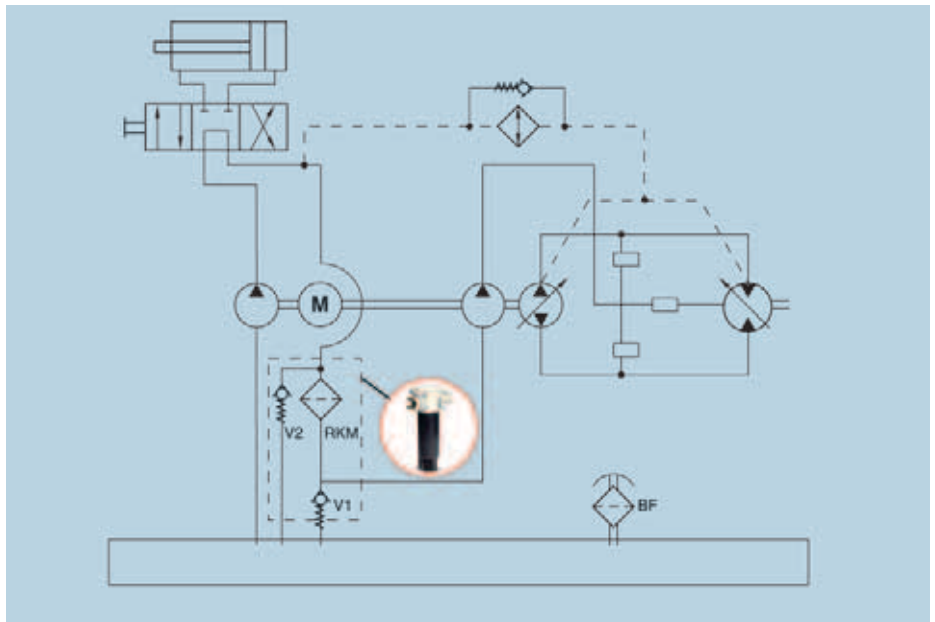
In addition, dangerous operating conditions where negative pressure occurs on the suction side of the boost pump, is reduced to a minimum. Excellent cold start characteristics for the whole unit are the result.

To enhance the economy of the whole unit, this space-saving return line & suction boost filter, which is usually installed as a "return line filter" on the hydraulic tank, offers the possibility of reducing the oil circulation volume by installing a smaller tank

In order to maintain the initial load of approx. 0.5 bar at the connection to the charge pump, a surplus of at least 10% between the return line volume and the suction volume is required under all operating conditions.

Through the use of a pressure relief valve, when the Δp reaches 2.5 bar, the oil flows directly into the tank (no bypass to the closed circuit).

If, in addition to the flow from the open circuit, the leakage oil from the hydrostatic drive also goes through the filter, then the permitted pressure of the leakage oil at the filter must not be exceeded (taking into account the pressure drop of the leakage oil lines, of the oil cooler and the pressure relief valve) to protect the radial shaft seal rings.



Return line & Suction Boost Filters



RKM

Return line & Suction Boost Filters

Advantages	Please note
<ul style="list-style-type: none"> ● Finely filtered oil supplied to consumer (increases the availability) ● Oil is pre-charged in the suction connection (0.5 bar) (prevents cavitation, less wear) ● Replaces several filters (lower fitting costs, only ONE spare element) ● Extremely low pressure drop (full filtration at low temperatures) ● Various options (thermal bypass valve, multi port) 	<ul style="list-style-type: none"> ● Useful if under operating conditions the return line volume is greater than the volume needed on the suction side

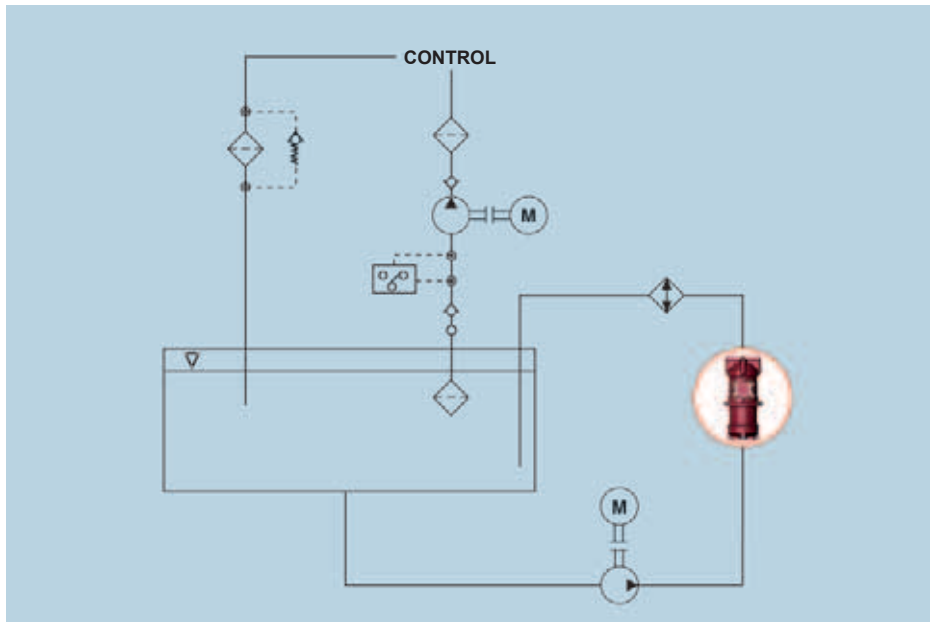
Offline filters

In hydraulic systems with heavy loads, additional offline filters are used increasingly to avoid the accumulation of fine particles.

In contrast to main filters, only part of the whole flow in the system is filtered by offline filters.

Excellent oil cleanliness levels can be achieved through continual filtration, regardless of the operating cycle of the machine. In addition, the main filters are relieved, meaning that element changing intervals can be extended.

Offline filter systems should be used in addition to main filters. In this case the main filter should be sized as a protective filter, i.e. filtering less finely and without a bypass valve.



Offline filters



Extract from product range

NF

Offline filters

Advantages

- Excellent cleanliness classes
- Filtration independent of the system
- High contamination retention capacity of filter elements as a result of pulsation-free, low and constant flow through the filter elements
- Element change possible without stopping the machine
- Cost savings as a result of lower material costs
- Less time spent on maintenance
- Fewer downtimes
- Cost-effective filter elements
- Possible to fill hydraulic system
- Can be easily retrofitted in systems with insufficient filtration
- Dewatering of the fluid is possible
- Service life of fluid in the system is extended

Generally speaking, offline filters should be installed:

- if a high rate of contamination is expected, e. g. on production test rigs, large-scale systems in dusty areas, cleaning systems
- when installing a separate cooling circuit
- when there are vigorous changes in system flow rate

Tank breather filters

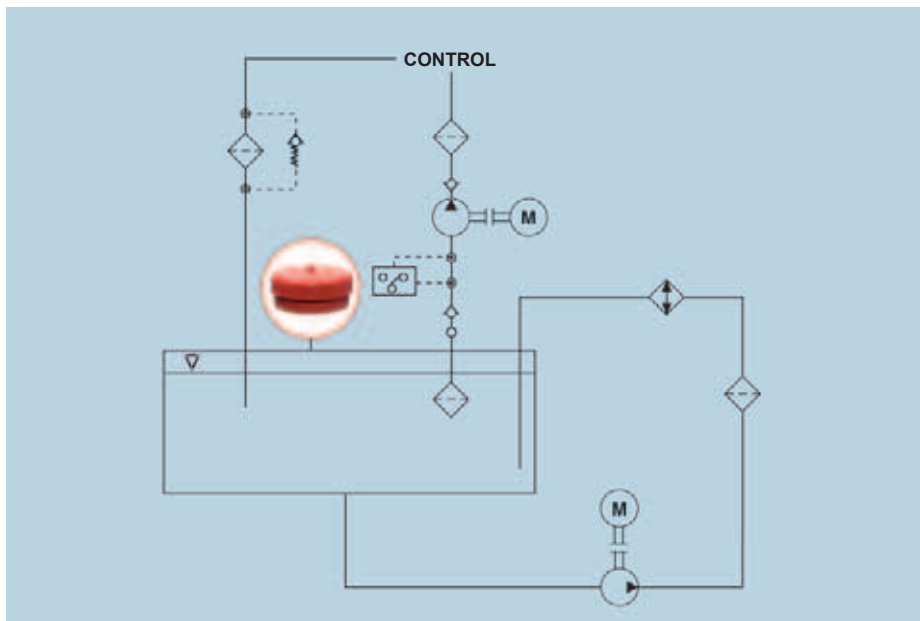
Tank breather filters are one of the most important, yet neglected, components in filter design.

As a result of changes in temperature and of using cylinders or accumulators, the oil level in the tanks of hydraulic and lubrication systems is subject to constant fluctuations.

The resulting pressure differential to the ambient is equalized by an exchange of air which means contamination can get into the tanks.

Breather filters can prevent contamination from entering. Ideally the breather filter should be of at least the same filtration rating as the system filter in the hydraulic circuit. By using breather filters with double check valves, the air exchange between the tank and the ambient can be significantly reduced, minimizing the amount of contamination and dust entering the tank and increasing the service life of the breather filter.

Where there are high temperature changes and high humidity, water also enters the tank. HYDAC BD filters prevent water from entering and therefore improve the fluid performance.



Tank breather filters



BF



ELF/L



BDE

Extract from product range

Breather filters	
Advantages	Please note
<ul style="list-style-type: none"> ● Relieves the system filter by preventing contamination from entering the tank during tank breathing ● High air flow rate ● Cost-effective ● Environmentally-friendly 	<ul style="list-style-type: none"> ● If the filter is incorrectly sized, damage may occur to the tank and the pump.

Summary

Filter location	Advantages	Please note	Filter designation
Breather filters	<ul style="list-style-type: none"> ● Relieves the system filter by preventing contamination from entering the tank during tank breathing ● High air flow rate ● Cost-effective ● Environmentally-friendly 	<ul style="list-style-type: none"> ● If the filter is incorrectly sized, damage may occur to the tank and the pump. 	BD, BDH, BDL, BDM, BF, BL, BLT, ELF, ELFL, BDE
In the suction line	<ul style="list-style-type: none"> ● Pump protection 	<ul style="list-style-type: none"> ● Coarse filtration only ● Due to the pump suction conditions, generously sized filters with a low differential pressure are required ● No protection of components further downstream from pump wear ● Unsuitable for many control pumps ● Minimum system protection ● It is essential to protect the pump against vacuum pressure 	LF, LPF, MF, MFD, RFL, RFLN, SF, SFE, SFF, SFM, SFAR, SFFR
In the pressure line	<ul style="list-style-type: none"> ● Direct protection of the components ● Contributes to the general cleanliness of the system ● Highly efficient fine filter elements can be used ● Filters pump drive systems 	<ul style="list-style-type: none"> ● Housing and element expensive since they must be sized for the max. system pressure ● Does not filter contamination from components further downstream ● High energy costs 	DF, DF...M A, DF...Q E, DF...MHA, DF...MHE, DFDK, DFF, DFG, DFM, DFN, DFNF, DFP, DFZ, HDF, HDFF, HFM, ILF, LF, LFDK, LFF, LFM, LFN, LFNF, LFR, LPF, LPF...D A, LPFR, MDF, MDFR, MF, MFD, MFX
In the return line	<ul style="list-style-type: none"> ● Filters the contamination which has entered the system as a result of component wear and worn wipers before it can reach the hydraulic tank ● Low pressure sizing of the filter housing enables costs to be reduced ● Can be installed inline or in the tank 	<ul style="list-style-type: none"> ● No protection of the pump ● Return line flow rate fluctuations can reduce the filtration efficiency ● No direct component protection ● Large filters may be required, since the return flow is often larger than the pump flow 	RF, RFM, RKM, RFL, RFLD, RFN, RFD, RFND, RFLN, RFLR, RFMR, RKMR
Offline e.g. cooling circuit	<ul style="list-style-type: none"> ● Continuous cleaning of the hydraulic fluid, also when system is switched off ● Maintenance can be carried out when system is running ● Filtering action is not impaired by fluctuations in flow and provides optimum service life and efficiency of filter elements ● Possible to fill the tank with filtered new oil ● Particular cleanliness level can be achieved and maintained accurately. ● Possible to install fluid cooling easily 	<ul style="list-style-type: none"> ● High investment costs ● Additional space-requirement ● No direct component protection 	NF, NFD, LF, MF

Filter selection

Filter efficiency is the most important but not the only factor involved when evaluating the filter design. A filter can be ineffective if it is installed in the wrong place and if it given the wrong job.

When creating a filtration concept, some **fundamental rules** play a crucial role.

For example, the function of a hydraulic filter is always to reduce wear which means it should filter to a finer level than the critical tolerances. Filters should be used with the highest possible flow rate. Suitable seals on cylinders and on breather filters should prevent contamination from entering the system etc.

Therefore we can distinguish between **protective filters** and **working filters**.

Restricting the flow velocity

Since specific flow velocities in the connection lines must not be exceeded, depending on the filter type, we recommend only special maximum flow rates.

Here we give guideline values which are based on our experience. Exceptions, depending on the application, are of course possible and reasonable.

Determining the appropriate filter element

Depending on the conditions of the system and the environment, filters with the same filtration rating perform differently.

The following cleanliness classes are typical for HYDAC elements:

Protective filter	Working filter
● Component protection	● Cleaning function
● No bypass valve	● Flow with least possible pulsations where filter installed
● Does not prevent long-term wear	● Bypass valve available as an option
● Filters more coarsely than working filter	● Differential pressure indicator is recommended
● High differential pressure resistant filter elements	● Use of low differential pressure resistant elements is possible









Threaded connection	Maximum recommended flow rate in l/min				
	Suction filter 1.5 m/s	Return line filter 4.5 m/s	Pressure filter up to 100 bar 4.5 m/s	Pressure filter up to 280 bar 8 m/s	Pressure filter up to 420 bar 12 m/s
G ½	14	42	42	46	68
G ¾	23	69	69	74	111
G 1	37	112	112	119	178
G 1 ¼	59	178	178	182	274
G 1 ½	92	275	275	295	443

Filtration rating x ($\beta_{x(c)} \geq 200$)	25																				19/16/13 - 22/19/16	
	20																					18/15/12 - 21/18/15
	15																					17/14/11 - 20/17/14
	10																					15/12/9 - 19/16/13
	5																					12/9/6 - 17/14/11
	3																					10/7/4 - 13/10/7
		10/7/4	11/8/5	12/9/6	13/10/7	14/11/8	15/12/9	16/13/10	17/14/11	18/15/12	19/16/13	20/17/14	21/18/15	22/19/16								

Oil cleanliness to ISO 4406

Selection of the appropriate filter material

The variety of applications of HYDAC filters has given rise to different element models, each specifically optimized for particular requirements. We are therefore in a position to provide you with the type of element most technically and economically appropriate for your special application. The following table outlines the most important filtration media. Our sales team is always available to help you select the filtration media which is most appropriate for your application.

	Element designation	Construction of filter mesh pack	Typical features
Synthetic fine filtration materials			
	Betamicon® BN4HC (20 bar) BH4HC (210 bar)	Multi-layer, supported, pleated filter mesh pack with glass fibre	<ul style="list-style-type: none"> ● High contamination retention ● High rate of particle separation over a wide differential pressure range ● High resistance to pressure and flow rate fluctuations
	Mobilemicon MM	Multi-layer, supported, pleated filter mesh pack with synthetic fibre	<ul style="list-style-type: none"> ● High rate of particle separation ● Low pressure drop ● Sufficient contamination retention ● First class filtration in the suction range possible
	Ecomicon ECON2	Multi-layer, supported, pleated filter mesh pack with glass fibre Support tube and end caps in electrically conductive synthetic material	<ul style="list-style-type: none"> ● High rate of particle separation ● Low pressure drop ● High contamination retention ● Uses first class synthetic materials which can easily be disposed of ● Low weight ● Free of steel and iron
	Lubimicon G/HC	Multi-layer, supported, pleated filter mesh pack with synthetic fibre	<ul style="list-style-type: none"> ● Filtration performance defined according to API specifications
	Dimicon® DM	Filter discs with at least two filtration layers in synthetic material	<ul style="list-style-type: none"> ● High contamination retention (500 g/element) ● High rate of particle removal ● High cleaning effect in single pass (fuelling stations)
Paper			
	Paper P/HC	Simply supported, pleated, organic paper (usually impregnated with phenolic resin)	<ul style="list-style-type: none"> ● Cheap element ● Low level of particle removal and contamination retention (Multipass usually not possible) ● Low pressure drop ● Low pressure stability (bypass absolutely necessary)
Stainless steel and wire mesh materials			
	Wire mesh or dutch weave W/HC or T/HC	Multi-layer or single-layer, supported, pleated square mesh in stainless steel or dutch weave	<ul style="list-style-type: none"> ● Protective filter with low filtration performance and contamination retention
	Chemicon and Metal fibre V	Multi-layer, pleated mesh pack with sintered stainless steel fibre	<ul style="list-style-type: none"> ● All the components used in the element are in stainless steel. ● On the element type "metal fibre V" the components are bonded using a 2-component adhesive (max. temperature 100 °C). ● On the "Chemicon" element the element components are bonded without the use of adhesive.

Filter sizing

Once the element material, the required filtration rating and the filter construction have been established, the size of the filter can be determined. Here we can assume that the initial pressure drop of a filter does not exceed a specific value, or that it comes as close as possible to this value (see adjacent table).

The total pressure drop of a filter (at a specific flow rate Q) is the sum of the housing Δp and the element Δp and is calculated as follows:

Example

Sizing a return line filter, tank mounted, type RFM 150, element material Betamicon®4, 10 μm filtration rating, Flow rate in the return line: 60 l/min
Operating fluid: ISO VG 46
Operating temperature: 40 °C.

Note:
At 40 °C this oil has an operating viscosity of approx. 46 mm^2/s (always take manufacturer's data into account).

Use as	Filter construction	Total initial differential pressure (with new filter element)
Working filter	Return line filter, Pressure filter with bypass valve	0.15 to 0.2 • P _{indicator}
	Offline filter, Inline filter, Separate units	0.15 to 0.2 bar
Protective filter	Pressure filters without bypass valve	0.3 • P _{indicator}
	Suction filter	0.04 bar

$$\Delta\pi_{\text{total}} = \Delta\pi_{\text{housing}} + \Delta\pi_{\text{element}}$$

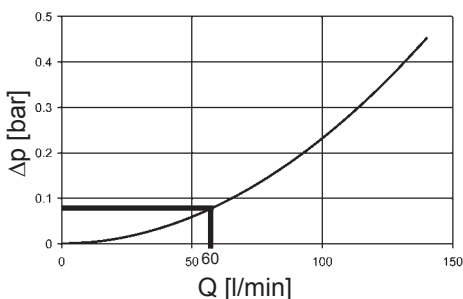
$$\Delta p_{\text{housing}} = \text{please refer to housing curve (see brochure)}$$

$$\Delta p_{\text{element}} = Q \cdot \frac{\text{element gradient coefficient}}{1000} \cdot \frac{\text{operating viscosity}}{30}$$

$$\text{Max. initial differential pressure: } 1 \text{ bar } (= 0.2 \cdot P_{\text{indicator}} = 0.2 \cdot 2 \text{ bar} = 0.4 \text{ bar})$$

$\Delta p_{\text{housing}}$:
(please refer to "RFM" brochure)

RFM 90, 150



$\Delta p_{\text{element}}$:
(for gradient coefficients for element 0150 R 010 BN4HC please refer to "Filter Elements" brochure or "RFM" brochure)

$$60 \text{ l/min} \cdot \frac{4.0}{1000} \cdot \frac{46 \text{ mm}^2/\text{s}}{30} = 0.368$$

$$\Delta p_{\text{total}} = \Delta p_{\text{housing}} + \Delta p_{\text{element}}$$

$$0.09 + 0.368 = 0.458 \text{ bar}$$

What is the procedure in practice?

If you calculate on the generous side, i.e. choosing the larger filter, this will provide a longer service life, and will probably cost more. But if the sizing is only just adequate, i.e. you select the smallest possible filter, you risk a shorter service life and reduced component protection despite lower purchase costs

The aim, of course, is to find the most economical filter whilst taking into consideration the total system life cycle (reduction of the Life Cycle Cost).

Computer-aided filter sizing using Filter Sizing Program "Size-IT".

Size-IT enables computer-aided filter sizing, specific to the particular system and application profile.

Size-IT is a component of our electronic product catalogue on DVD, **Filter-IT**.

We will, of course, be pleased to send you a copy. Alternatively the program is available on our website (www.hydac.com).

Size-IT automatically computes all calculations, which in the previous example, had to be carried out painstakingly step by step.

Possible errors when reading graph data are avoided; the time saving is considerable.

The size of the filter can be determined with the help of

- Housing and element pressure drop curves in the brochures (= manual filter sizing)
- Filter sizing program **Size-IT** (= computer-aided filter sizing)
- Concept creation tool **Optimize-IT** (= computer-aided system optimization)

Example of filter calculation using sizing software "Size-IT":

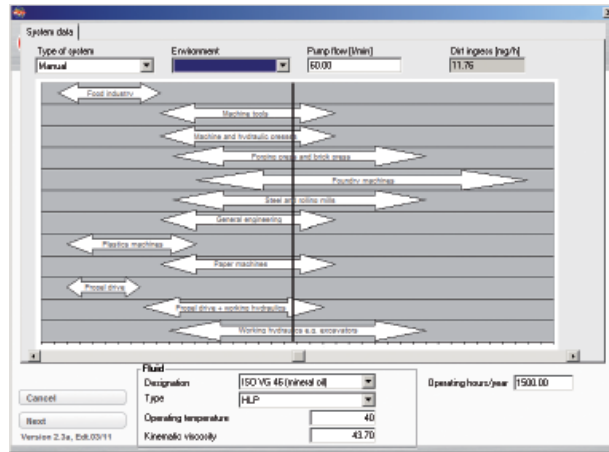


Filter calculation according to the expected contamination rate using the concept creation tool "Optimize-IT"

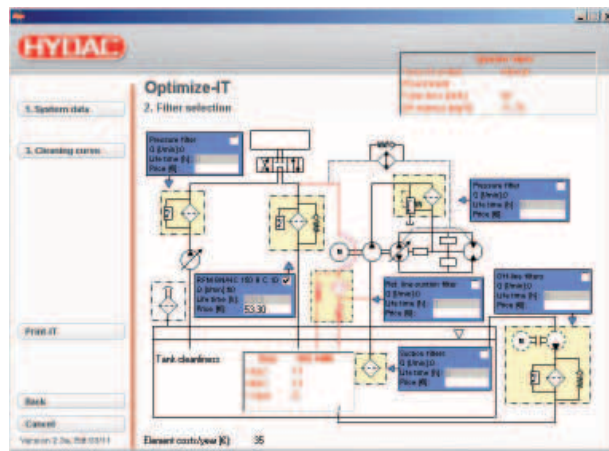
This electronic tool, called "Optimize-IT", is also a component of our electronic product catalogue, but is only available to our filter specialists. Cleanliness classes and achievable service lives for different filter designs can be identified and compared using this tool.

Based on the expected contamination, the optimum filter combination and filter size combination can be determined, right down to a specific calculation of the element costs per year.

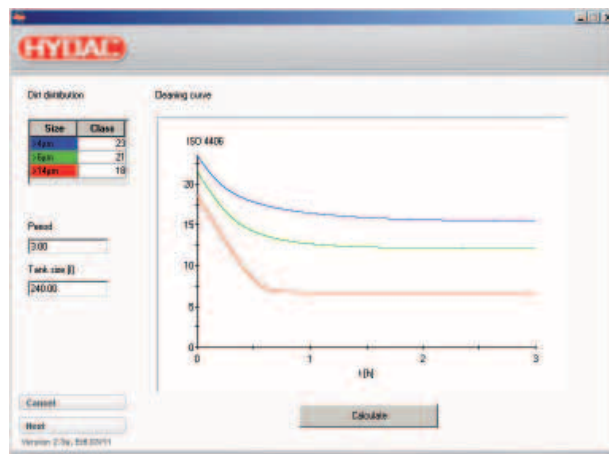
Example of concept optimization using the electronic tool "Optimize-IT":



Determining the expected contamination for a particular system



Calculation of the service lives and element costs/year

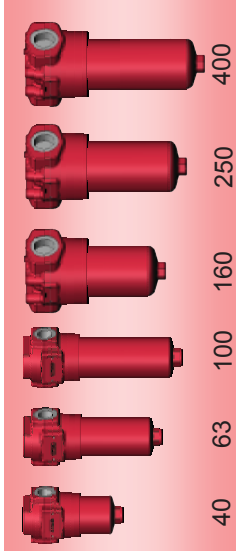
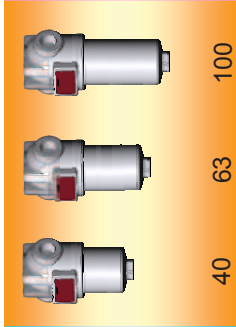
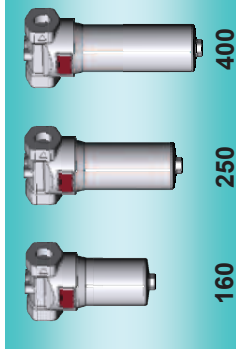


Graph showing cleaning

Preferred Range - Filters to DIN 24550 Standard

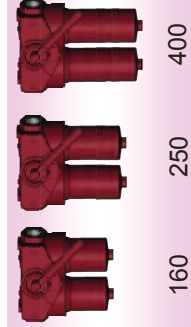
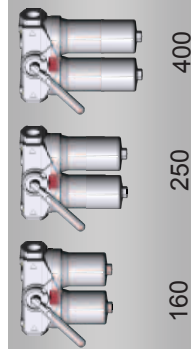
DFN/DFNF	400 bar
LFN/LFNF	100 bar
FLN	25 bar

- single -
Pressure line filters



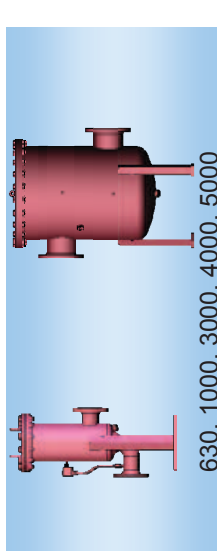
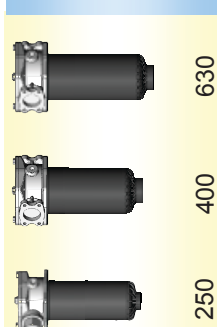
FMND	210 bar
FLND	25 bar

- change-over -
Pressure line filters



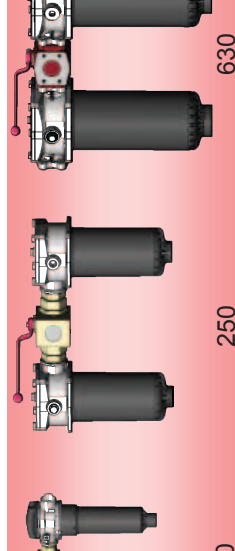
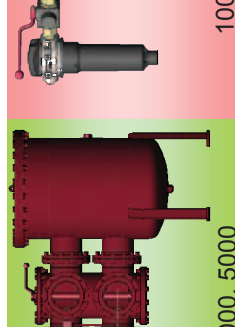
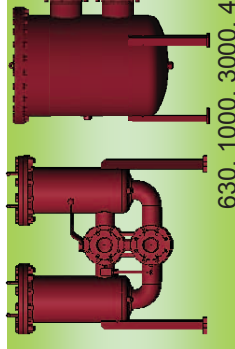
RFLN	16 bar
RFN	10 bar

- single -
Return line filters



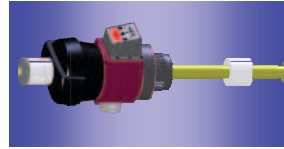
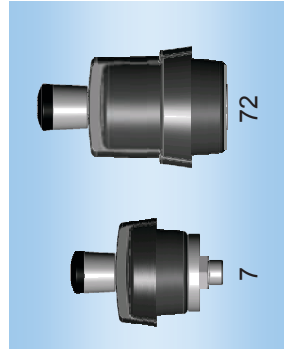
RFND	25 bar
RFLND	16 bar

- change-over -
Return line filters



ELF
TC (TankConditioner)

Breather filters



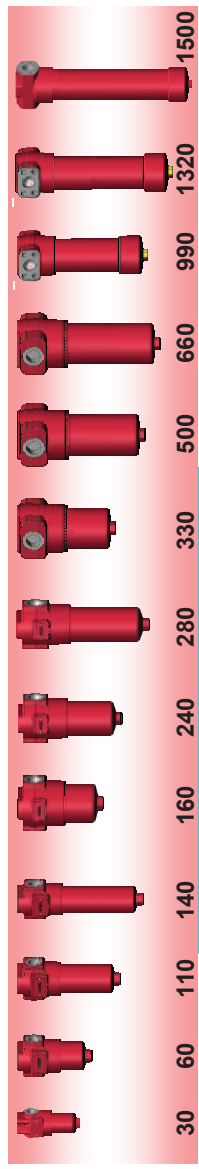


INTERNATIONAL

Preferred Range - Mining

DF	420 bar
HDF	280 bar

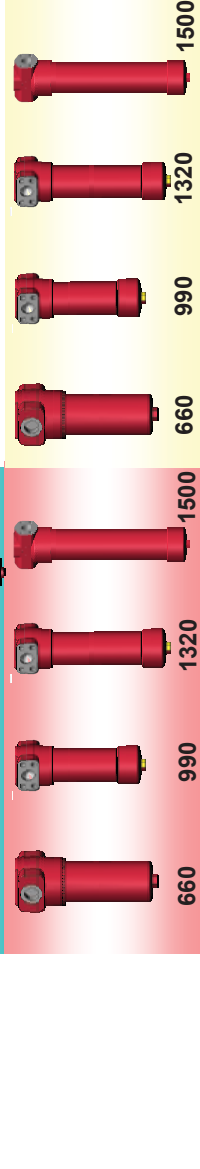
Pressure line filters
Working line filters
Working hydraulics



HDF in
L-configuration
flow path

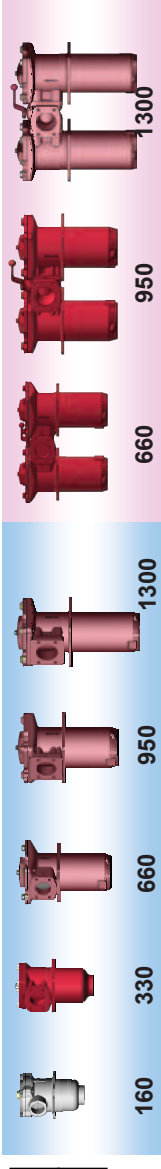
DF	420 bar
DFF	420 bar

Pressure line
filters
HFA Hydraulics



RF	25 bar
RFD	25 bar

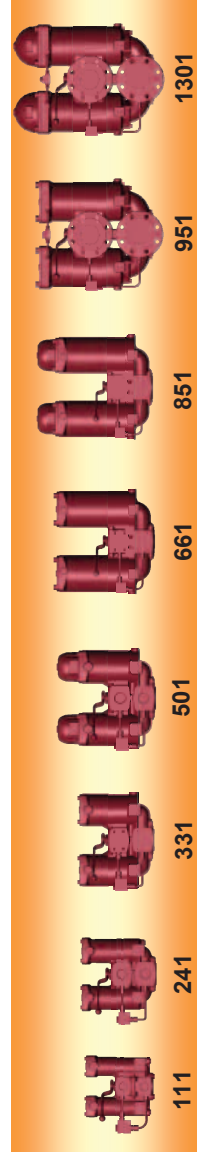
Return line filters
Working hydraulics



Version -SO 136

RFLD (Cast)	25 bar
----------------	--------

Offline filtration
Transmission
filtration



BF
ELF

Breather
filters



Preferred Range - Mobile

DF	420 bar
HFM	400 bar
DFM*	400 bar
ILF	350 bar
MFM/MDF	280 bar
HDF/HDFH	420 bar

Pressure line filters
Working hydraulics

*Filter with safety valve, to supply the sensitive control unit with finely filtered oil.

LF	100 bar
LFM*	63 bar
LPF	40-50 bar
MFX	40 bar
FLN	25 bar

Pressure line filters
Supply line pump

Combined circuits	
RKM	10 bar

Return line and Suction Boost Filters

In-Tank or Tank-Top	
RFM	10 bar

Return line filters
New! Quality Protection and 4-hole flange mounting available for selected sizes!

Preferred Range - Onshore - Offshore - Marine

RF	25 bar
RFD	25 bar
RFL also in cast version up to size 1321 and p _{max.} 40 bar	
RFL	16 bar

Return line filters
single/change-over

DF/DFD	420 bar
RFLD	up to 64 bar

RFLD also in weld version up to size 1500 and p_{max.} 16 bar

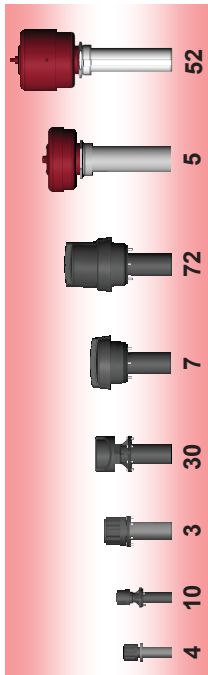
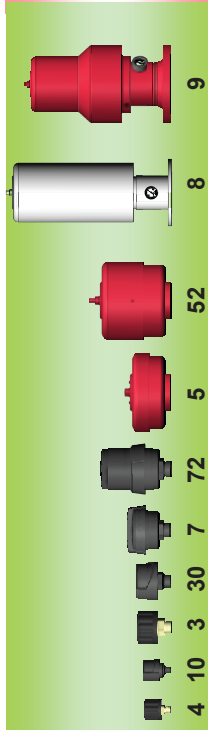
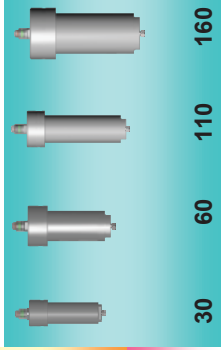
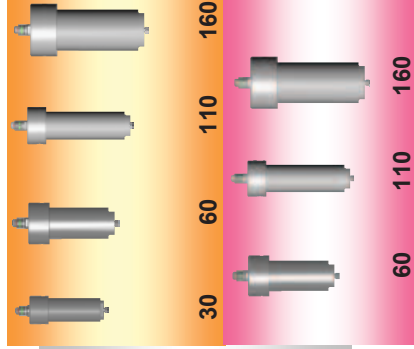
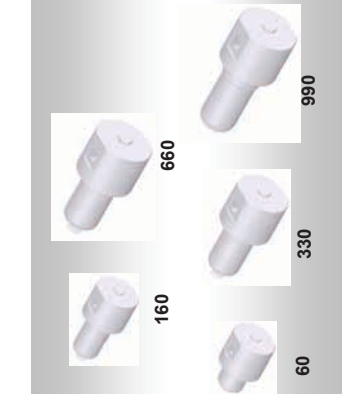
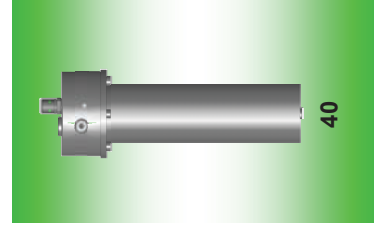
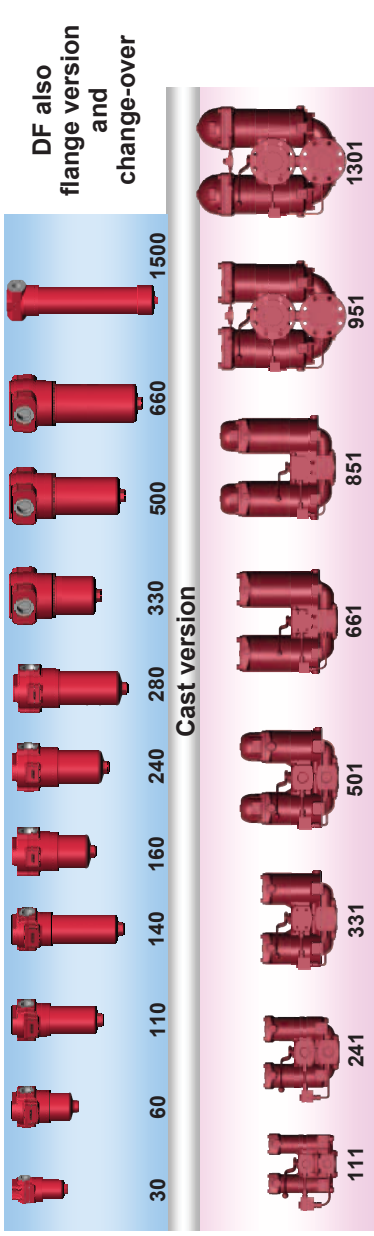
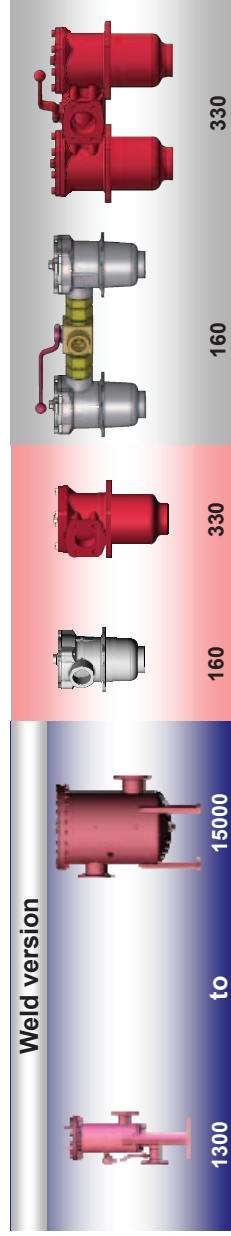
Standard filters with special offshore paint

ACSSF	1000 bar
HPSSF	700 bar
MPSSF	450 bar
EDF R/A	400 bar
EMLF	40 bar


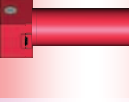
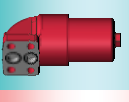
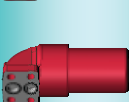


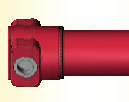











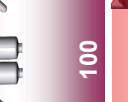

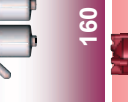
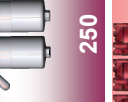
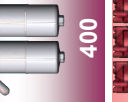

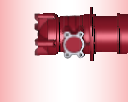
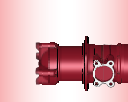


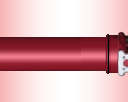
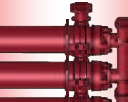
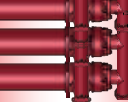





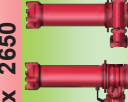
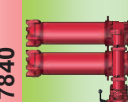

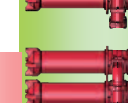
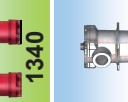

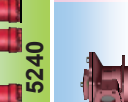







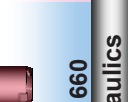






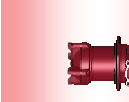


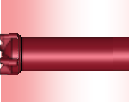
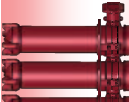
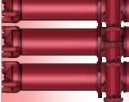






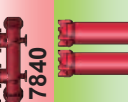


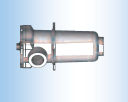
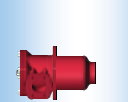
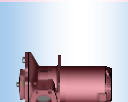
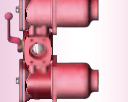




































Stainless steel filters

BF
ELF/ELFL

Breather filters

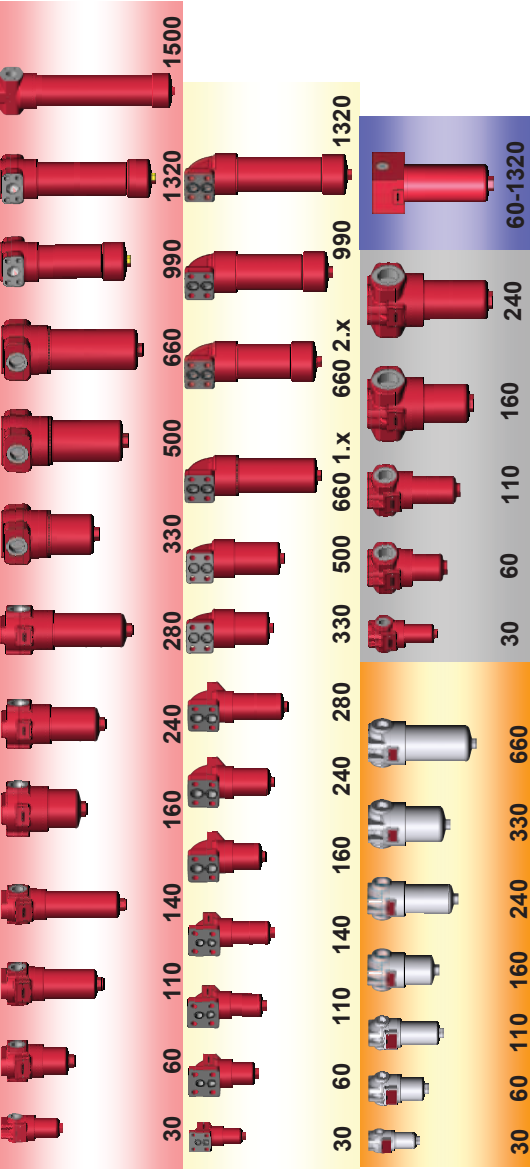


Preferred Range - Paper

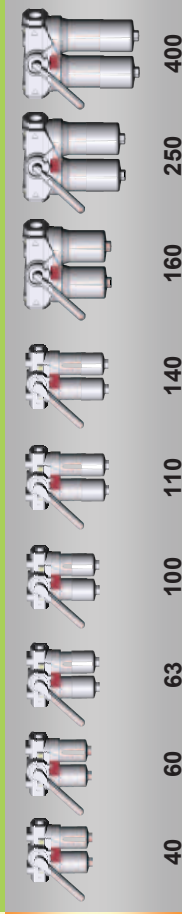
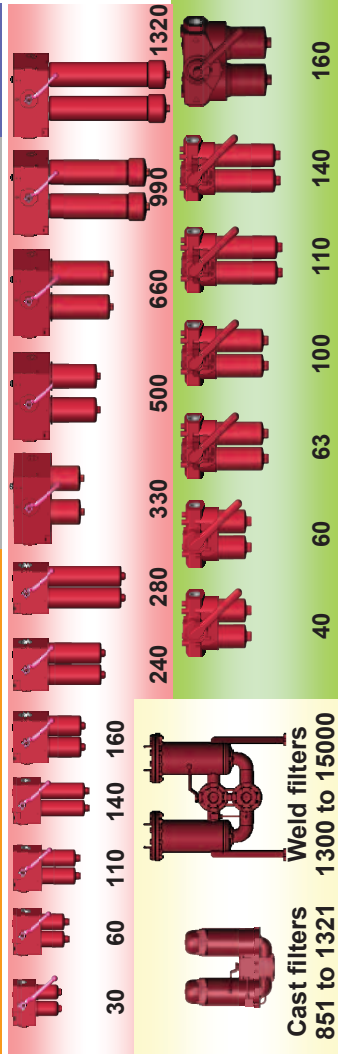
Pressure line filters Hydraulics	DF	420 bar		400		290		330	500	660					500		1320	2640	3960
	DFZ	315 bar		400		290		330	500	660					500		1320	2640	3960
	DF..QE	315 bar		400		290		330	500	660					500		1320	2640	3960
	DFP	315 bar		400		290		330	500	660					500		1320	2640	3960
	FMND	210 bar		400		290		330	500	660					500		1320	2640	3960
	DFDK	160 bar		400		290		330	500	660					500		1320	2640	3960
	FLND	25-63 bar		400		290		330	500	660					500		1320	2640	3960
Pressure line filters Lubrication circuit	NF	25 bar		400		290		330	500	660					500		1320	2640	3960
	NFD	25 bar		400		290		330	500	660					500		1320	2640	3960
Return line filters Hydraulic/Lubrication	RF	25 bar		400		290		330	500	660					500		1320	2640	3960
	RFD	25 bar		400		290		330	500	660					500		1320	2640	3960
	RFLD	25 bar		400		290		330	500	660					500		1320	2640	3960
Breather filters	BF	-----		400		290		330	500	660					500		1320	2640	3960
	ELF	-----		400		290		330	500	660					500		1320	2640	3960

Preferred Range - Steel Works

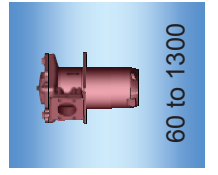
DF/DFE	420 bar
DF..QE	315 bar
DFP	315 bar
MDF	280 bar
LF	100 bar



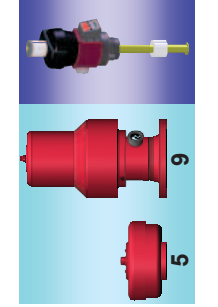
DFDK	315 bar
FMND	210 -250 bar
RFLD	16-64 bar
FLND	25 bar
RFD	25 bar



RF	25 bar
----	--------

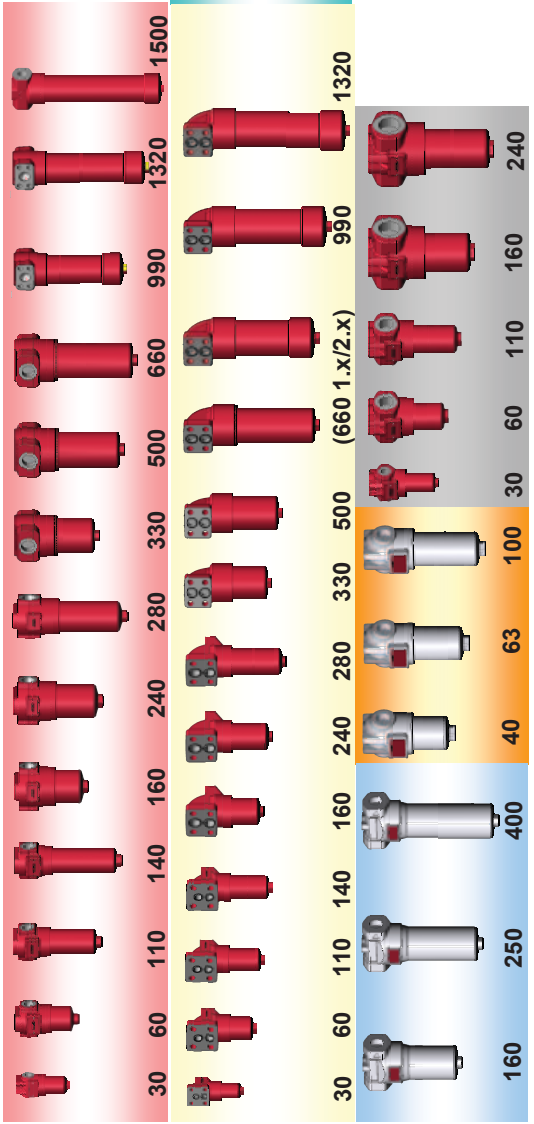


BF	TC
----	----



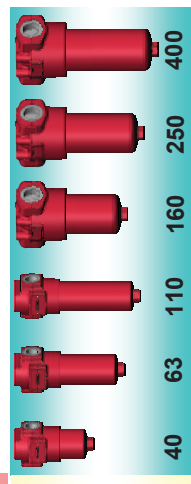
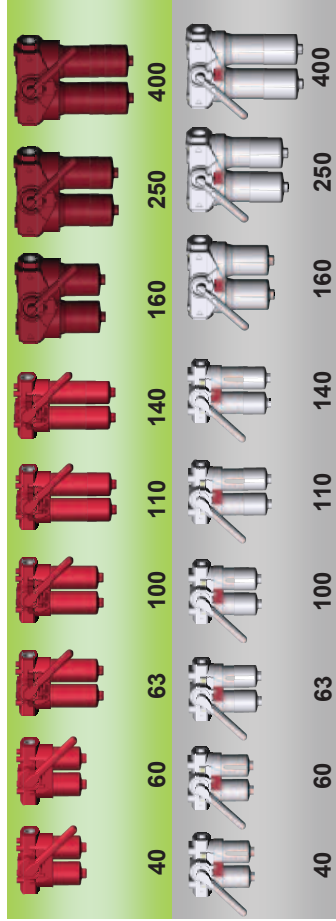
Preferred Range: Chipless Metal-Forming Machine Tools (1/2)

DF/DFF	420 bar
DFN	400 bar
DF..QE	315 bar
MDF	280 bar
LFN/LFNF	50 bar
FLN	25 bar



- single
- change-over
- Pressure line filters

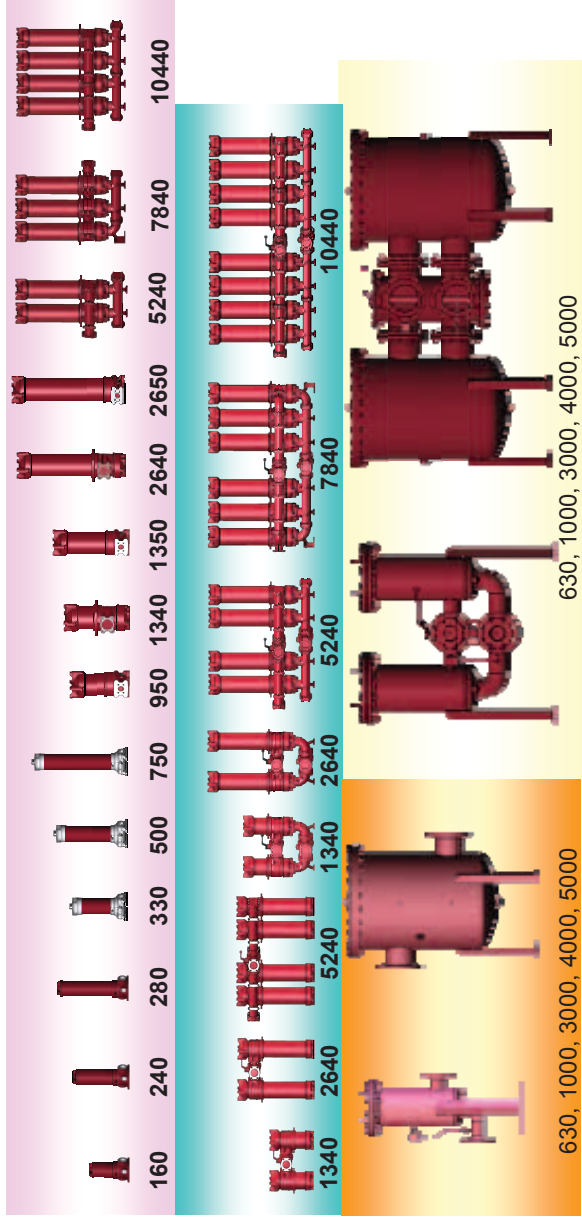
FMND	210 -250 bar
FLND	25 bar



Preferred Range: Chipless Metal-Forming Machine Tools (2/2)

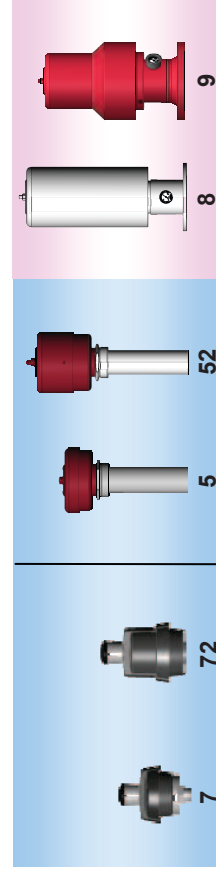
NF	25 bar
NFD	25 bar
RFLND	10-25 bar
RFLN	10 bar

Offline filters
single and change-over



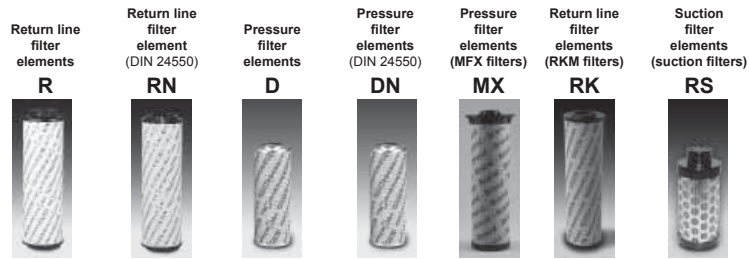
ELF
BF

Breather filters



Filter Elements for use in HYDAC filters*

* For HYDAC filter elements which are suitable for use in other manufacturers' filters, please see brochure no. 7.208



1. TECHNICAL SPECIFICATIONS

1.1 CONSTRUCTION

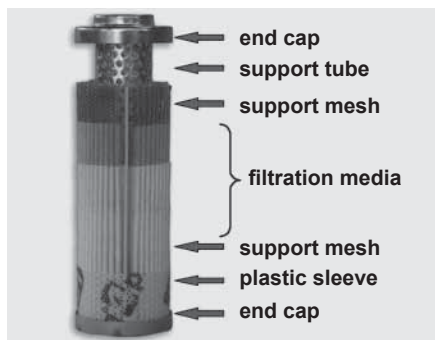
As the core of the filter, it is the filter element which performs the actual filtration and/or dewatering function in the housing.

They consist of several pleated filtration and support layers which are placed as a cylinder around or inside the stabilizing support tube. These mesh packs are sealed by the end-caps.

Regardless of the type of filter, flow direction through the filter elements is from out to in.

Depending on the filter material, the filter mesh pack is encased in an additional outer plastic sleeve.

As an example, the construction of a Betamicon®-4 element is illustrated below.



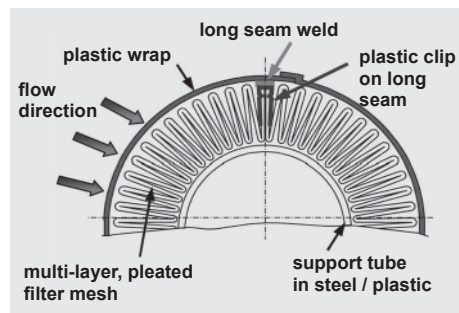
New element technology

With the new Stat-Free filter elements, HYDAC has for the first time succeeded in combining excellent electrostatic characteristics with filtration performance. A new type of filter mesh-pack and element design have enabled unrivalled low charge generation of the filter element and of the fluid in system operation.



1.2 SPECIFICATIONS

Pressure stability (permitted Δp across element)	10 to 210 bar depending on the selection of filter material (see point 2.2)
Temperature range	-30 °C to +100 °C for FPM seal material to -10 °C 0 °C to +100 °C (for water absorbing filter material)
Filtration ratings	3 μm to 200 μm (1 μm on request)
Filtration performance	depending on filter material, nominal or or absolute filtration up to $\beta_{x(c)} \geq 1000$



1.3 SEALS

NBR (= Perbunan)

1.4 INSTALLATION

- in return line filters (element type **R**)
 - in return line filters to DIN 24550 (element type **RN**)
 - in inline filters (element type **D**)
 - in inline filters to DIN 24550 (element type **DN**)
 - in inline filters MFX (element type **MX**)
 - in return line suction filters (element type **RK**)
 - in suction filters (element type **RS**)
- To select the element types for particular HYDAC housings, please refer to the table in point 2.1.

1.5 COMPATIBILITY WITH HYDRAULIC FLUIDS ISO 2943

- Hydraulic oils H to HLPD DIN 51524
- Lubrication oils DIN 51517, API, ACEA, DIN 51515, ISO 6743
- Compressor oils DIN 51506
- Biodegradable operating fluids VDMA 24568 HETG, HEES, HEPG
- Fire-resistant fluids HFA, HFB, HFC and HFD
- Operating fluids with high water content (>50% water content) on request

1.6 QUALITY ASSURANCE

HYDAC filter elements are validated and their quality is constantly monitored according to the following standards:

- ISO 2941
- ISO 2942
- ISO 2943
- ISO 3724
- ISO 3968
- ISO 11170
- ISO 16889

1.7 SPECIAL MODELS AND ACCESSORIES

- Bypass valve models which differ from the particular standard
- Only wire mesh elements are suitable for filtering HFA and HFC emulsions
- Seals in FPM, EPDM
- Customized versions

2. SELECTING THE FILTER ELEMENT






2.1 TYPES

Using the table below, select the correct element type for the relevant HYDAC housing type.

For installation in housing types	Element type	Sizes	Direction of flow	Element description
DF, DFF, DFDK, DFM, DF...M A, DF...Q E, DFP, DFPF, DFZ, HDF, HDFF, HFM, LF, LFF, LFM, LPF, MFM, LPF...DA	D	30, 35, 55, 60, 75, 95, 110, 140, 160, 240, 260, 280, 300, 330, 450, 500, 650, 660, 900, 990, 1320, 1500	From out to in	- without bypass valve
DFN, DFNF, LFN, LFNF, FLN, FLND, FMND, DFDKN, DFN...Q E	DN	40, 63, 100, 160, 250, 400	From out to in	- without bypass valve
NF, NFD, RF, RFD, RFL, RFLD, RFM	R	30, 60, 75, 90, 110, 150, 160, 165, 185, 210, 240, 270, 330, 450, 500, 580, 600, 660, 750, 850, 950, 1300, 1700, 2600	From out to in	- with bypass valve
RFN, RFND, RFLN, RFLND	RN	40, 63, 100, 160, 250, 400, 630	From out to in	- without bypass valve
MFX	MX	100, 200	From out to in	- with bypass valve
RKM	RK	80, 100, 120, 151, 201, 251, 300, 350, 400, 800	From out to in	- without bypass valve
SF, SFF, SFM	RS	60, 110, 160, 240, 330, 400, 500	From out to in	- with bypass valve



2.2 FILTER MATERIALS

The following materials are available for filtering solid particles:

Photo	Filter material	Short description	Filtration rating in µm	Pressure stability
	BN4HC BH4HC BNK BHK	Betamicon®4 glass fibre, multi-layer with support (BNK and BHK: with synthetic support)	3, 5, 10, 20* 3, 5, 10, 20* 3, 5, 10, 20* 3, 5, 10, 20* *or 3, 6, 10, 25 when dimensions are to DIN 24550	20 bar 210 bar 20 bar 210 bar
	MM	Mobilemicon synthetic fibre, multi-layer with support	10, 15	10 bar
	ECON2	ECOMicon® glass fibre, multi-layer with support	3, 5, 10, 20	10 bar
	G/HC	Lubimicon synthetic fibre, multi-layer with support	10	10 bar
	W, W/HC	Stainless steel wire mesh	25, 50, 100, 200,.....	20 bar
	P, P/HC	Paper (cellulose fibre)	10, 20	10 bar
	V	Metal fibre	3, 5, 10, 20	210 bar
	VB		3, 5, 10, 20	210 bar

For the removal of emulsified or free water, we recommend using HYDAC Aquamicron® filter elements: A super absorber reacts with the water present in the medium and expands to form a gel, from which the water can no longer be extracted even by increasing the pressure.

These filter elements cannot remove dissolved water from the system, i.e. water below the saturation level of the hydraulic medium.

	BN4AM	Betamicon® / Aquamicron® glass fibre with super absorber	3, 10	10 bar
	AM	Aquamicron® super absorber	40	10 bar

2.3 EXAMPLE MODEL CODE

0060 D 010 BN4HC /-V

Size _____
0060

Type _____
D

Filtration rating in μm _____
010

Filter material _____
BN4HC

Supplementary details _____

V = FPM seal

SFREE = Stat Free element technology (only for BN4HC and MM filter material;
For G/HC material it is essential to add "SFREE" to code!)

To order the filter element with the correct size, filtration rating and material for the filter you are using, see the "REPLACEMENT ELEMENT" section, Point 2.2., of the relevant complete filter brochure.

Plastic sleeve	Flow direction	Notes	Typical applications
Yes	From out to in	4th generation, improved performance data	working filter in mobile and industrial systems; for systems with high pressure/ flow rate fluctuations; improved static conductivity
Yes	From out to in	particularly low pressure drop; ECON2 is 100% incinerable	for mobile applications; transmission lubrication, systems with high temperature fluctuations and high viscosity oils > ISO VG 100, ...
No, cleaning effect is improved!	From out to in	low pressure drop; can be cleaned to limited extent;	protective filter in cooling lubricant systems
No	From out to in	for low filtration demands	waste compacters, high viscosity oils > ISO VG 100, ...
No, cleaning effect is improved!	From out to in	can be cleaned to a limited extent	protective filter for highly dynamic applications working filter for highly dynamic applications

As an added bonus when using the straight Aquamicron® elements (filter material AM) solid contamination is also filtered out of the hydraulic medium; with the combined element Betamicron®/Aquamicron® (BN4AM) the particle filtration is further increased by the integration of glass fibre in the construction.

These filter elements are particularly suitable for use offline to condition fluids.

No	From out to in	filtration of particles and water removal	fluid conditioning in mobile machines, hydraulic steel engineering, blast furnace and foundry machines
No	From out to in	primarily for water removal where there is a risk of water condensation forming	hydraulic steel engineering, blast furnace and foundry machines

3. FILTER CALCULATION / SIZING

The total pressure drop of a filter at a certain flow rate Q is the sum of the housing Δp and the element Δp and is calculated as follows:

$$\Delta p_{\text{total}} = \Delta p_{\text{housing}} + \Delta p_{\text{element}}$$

$\Delta p_{\text{housing}}$ = see housing curve in the relevant filter brochure

$$\Delta p_{\text{element}} = Q \cdot \frac{SK^*}{1000} \cdot \frac{\text{viscosity}}{30}$$

(*see point 3.3)

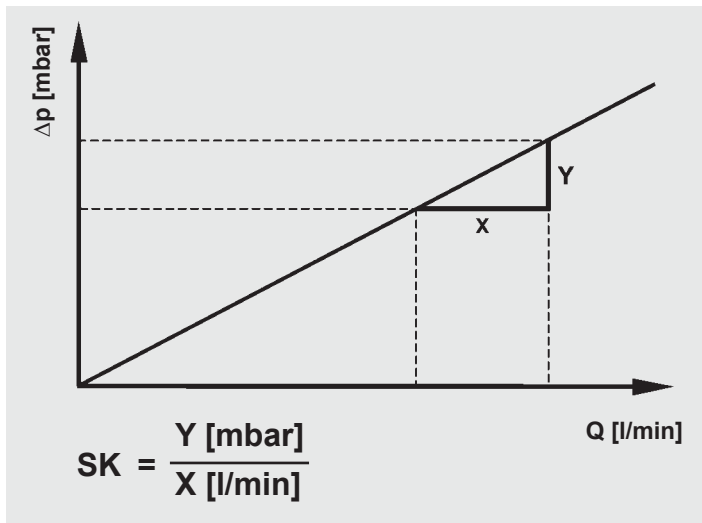
For ease of calculation, our Filter Sizing Program is available on request free of charge.

NEW: Sizing online at www.hydac.com

3.1 DETERMINING THE ELEMENT GRAPH

The element graph is determined according to ISO 3968 and always corresponds to a straight line with a specific gradient coefficient SK.

This represents the ratio of the flow rate to the pressure drop for a clean element (see below).



3.2 QUICK SIZING FOR AQUAMICRON ELEMENTS

When sizing elements with the water absorbing filter material Aquamicron® (AM or BN4AM) we recommend using the quick sizing tables:

Betamicron® - Aquamicron® BN4AM

Size	Recommended Filter flow rate [l/min]	Water retention capacity in cm³ at $\Delta p=2.5$ bar and a viscosity of 30 mm²/s
330	13	190
660	28	400
950	39	560
1300	54	790
2600	109	1570

Aquamicron® AM

Size	Recommended filter flow rate [l/min]	Water retention capacity in cm³ at $\Delta p=2.5$ bar and a viscosity of 30 mm²/s
330	13 ideal	260
	100 maximum	180
500	19 ideal	400
	155 maximum	280
660	28 ideal	570
	255 maximum	400
850	35 ideal	730
	286 maximum	520
950	39 ideal	800
	314 maximum	570
1300	54 ideal	1120
	437 maximum	790
2600	109 ideal	2230
	870 maximum	1570

3.3 GRADIENT COEFFICIENTS (SK) FOR FILTER ELEMENTS

The gradient coefficients in mbar/(l/min) apply to mineral oils with a kinematic viscosity of 30 mm²/s. The pressure drop changes proportionally to the change in viscosity.

Size	Filter material: BN4HC							
	Element type: D				Element type: R			
	3 µm	5 µm	10 µm	20 µm	3 µm	5 µm	10 µm	20 µm
30	63.9	43.3	22.8	11.3	68.4	43.9	26.8	14.7
35	23.6	19	14.8	9.3	-	-	-	-
55	13.7	11	8.1	4.8	-	-	-	-
60	28.9	20.4	13.2	7.9	26.8	18.3	10.9	6.9
75	9.3	7.5	5.3	3.1	22	14.2	8.1	4.4
90	-	-	-	-	14.9	10.1	6.7	3.2
95	7.5	6	4.1	2.4	-	-	-	-
110	14.9	10.7	6.6	3.7	14.9	9.4	6	3.2
140	12.8	8.2	4.8	2.9	-	-	-	-
150	-	-	-	-	8.9	6	4	1.9
160	13.1	8.8	4.6	3.5	9.5	5.9	3.8	2.9
165	-	-	-	-	11.2	7.8	4.5	2.4
185	-	-	-	-	8.9	6.1	3.3	1.8
210	-	-	-	-	3.9	2.6	1.8	1.1
240	8.2	6.1	3.6	2.3	6.2	3.8	2.6	1.8
260	5.9	4.4	2.6	1.6	-	-	-	-
270	-	-	-	-	2.5	1.7	1.1	0.7
280	4	3.1	1.7	1.3	3.1	2.2	1.6	1
300	10.6	8.1	5.3	2.9	-	-	-	-
330	5.4	3.9	3	1.7	4.2	2.7	1.7	1.2
450	5.3	4.0	2.6	1.4	3.6	2.3	1.6	1.0
500	3.3	2.4	1.5	1.1	3	1.9	1.3	0.8
580	-	-	-	-	1.4	0.9	0.6	0.4
600	-	-	-	-	1.4	1.1	0.7	0.4
650	3.2	2.5	1.6	0.9	-	-	-	-
660	2.5	1.8	1.1	0.8	1.9	1.2	0.8	0.5
750	-	-	-	-	1.3	0.9	0.6	0.4
850	-	-	-	-	1.5	1	0.7	0.4
900	2.5	1.9	1.2	0.7	-	-	-	-
950	-	-	-	-	1.2	0.8	0.5	0.4
990	1.6	1.2	0.7	0.5	-	-	-	-
1300	-	-	-	-	0.8	0.6	0.4	0.3
1320	1.2	0.9	0.5	0.4	-	-	-	-
1500	1.1	0.8	0.6	0.4	-	-	-	-
1700	-	-	-	-	0.7	0.5	0.3	0.2
2600	-	-	-	-	0.4	0.3	0.2	0.1

Size	Filter material: BN4HC		
	Element type: MX		
	5 µm	10 µm	20 µm
100	9.0	4.6	3.4
200	5.3	2.7	2.0

Size	Filter material: BH4HC			
	Element type: D			
	3 µm	5 µm	10 µm	20 µm
30	91.2	50.7	36.3	19.0
35	47.8	28.1	16.8	10.5
55	24.2	14.2	8.5	5.3
60	58.6	32.6	18.1	12.2
110	25.4	14.9	8.9	5.6
140	19.9	11.3	8.1	4.3
160	16.8	10.4	5.9	4.4
240	10.6	6.8	3.9	2.9
280	5.7	3.4	1.8	1.6
300	16.0	8.9	7.1	3.3
330	7.7	4.5	2.8	2.0
450	7.8	4.3	3.4	1.6
500	4.2	2.6	1.5	1.2
650	4.7	2.6	2.1	1.0
660	3.3	1.9	1.0	0.9
900	3.5	2.0	1.6	0.7
990	2.2	1.3	0.8	0.6
1320	1.6	1.0	0.6	0.4
1500	1.4	0.8	0.6	0.5

Size	Filter material: BN4HC (dimensions to DIN 24550)							
	Element type: DN				Element type: RN			
	3 µm	6 µm	10 µm	25 µm	3 µm	6 µm	10 µm	25 µm
40	23.9	14.9	8.6	6.6	14.2	7.8	4.8	2.6
63	16.3	9.9	6.0	4.6	9.5	5.2	3.4	1.8
100	11.9	6.6	4.0	3.2	6.8	3.3	2.3	1.2
160	7.9	5.1	3.4	2.6	3.6	1.8	1.2	0.5
250	5.1	3.2	2.1	1.8	2.8	1.4	0.9	0.4
400	3.2	2.0	1.3	1.0	2.2	1.6	1.3	1.0
630	-	-	-	-	2.1	1.2	0.9	0.7

Size	Filter material: BH4HC (dimensions to DIN 24550)			
	Element type: DN			
	3 µm	6 µm	10 µm	25 µm
40	40.4	24.8	16.4	10.9
63	29.0	18.2	11.7	7.6
100	19.0	11.7	7.7	5.3
160	8.0	5.1	3.8	2.5
250	5.4	3.4	2.8	1.9
400	3.4	2.1	1.7	1.1

Size	Filter material: W and W/HC	
	Element type: D W -W/HC	Element type: R W/HC
	30	3.030
60	0.757	0.912
75	-	0.72
110	0.413	0.502
140	0.324	-
150	-	0.32
160	0.284	0.348
165	-	0.328
240	0.189	0.228
260	0.131	-
280	0.089	0.114
330	0.138	0.164
500	0.091	0.109
660	0.069	0.082
750	-	0.049
850	-	0.063
950	-	0.058
990	0.046	-
1300	-	0.043
1320	0.035	-
1700	-	0.033
2600	-	0.022

Size	Filter material: V							
	Element type: D				Element type: R			
	3 µm	5 µm	10 µm	20 µm	3 µm	5 µm	10 µm	20 µm
30	18.4	13.5	7.5	3.6	19.4	14.2	7.9	3.8
60	16.0	9.3	5.4	3.3	15.9	9.3	5.4	3.3
110	8.2	5.6	3.3	2.2	7.6	5.1	3.0	2.0
140	5.8	4.8	3.1	2.3	-	-	-	-
160	4.6	3.2	2.3	1.4	4.9	3.5	2.4	1.5
240	3.1	2.5	1.7	1.1	3.2	2.6	1.7	1.2
280	2.3	1.7	1.2	0.8	1.4	1.1	0.7	0.5
330	2.2	1.8	1.2	0.8	2.1	1.7	1.1	0.8
500	1.5	1.2	0.8	0.5	1.5	1.2	0.8	0.5
660	1.1	0.9	0.6	0.4	1.0	0.8	0.6	0.4
750	-	-	-	-	0.6	0.5	0.3	0.2
850	-	-	-	-	0.8	0.6	0.4	0.3
950	-	-	-	-	0.7	0.6	0.4	0.2
990	0.8	0.6	0.4	0.3	-	-	-	-
1300	-	-	-	-	0.5	0.4	0.3	0.2
1320	0.6	0.5	0.3	0.2	-	-	-	-
1700	-	-	-	-	0.4	0.3	0.2	0.1
2600	-	-	-	-	0.3	0.2	0.1	0.1

Size	Filter material: P/HC		Filter material: ECON2			
	Element type: R					
	10 µm	20 µm	3 µm	5 µm	10 µm	20 µm
30	3.30	1.67	68.4	43.9	26.8	14.7
60	1.67	0.83	26.8	18.3	10.9	6.9
75	1.29	0.65	22.0	14.2	8.1	4.4
90	-	-	14.9	10.1	6.7	3.2
110	0.91	0.46	14.9	9.4	6.0	3.2
150	-	-	8.9	6.0	4.0	1.9
160	0.63	0.31	9.5	5.9	3.8	2.9
165	0.61	0.30	11.2	7.8	4.5	2.4
185	-	-	8.9	6.1	3.3	1.8
240	0.42	0.21	6.2	3.8	2.6	1.8
280	-	-	3.1	2.2	1.6	1.0
330	0.30	0.15	4.2	2.7	1.7	1.2
500	0.20	0.10	3.0	1.9	1.3	0.8
660	0.15	0.08	1.9	1.2	0.8	0.5
750	-	-	1.3	0.9	0.6	0.4
850	0.12	0.06	1.5	1.0	0.7	0.4
950	0.11	0.05	1.2	0.8	0.5	0.4
1300	0.08	0.04	0.8	0.6	0.4	0.3
1700	0.06	0.03	0.7	0.5	0.3	0.2
2600	0.04	0.02	0.4	0.3	0.2	0.1

Size	Filter material: ECON2 Element type: MX		
	5 µm	10 µm	20 µm
100	10.0	6.5	4.8
200	5.9	3.8	2.8

Size	Filter material: W Element type: RS			
	25 µm	50 µm	75 µm	125 µm
60	2.00	1.70	1.03	0.54
110	0.98	0.83	0.50	0.26
160	-	-	0.36	0.19
240	-	-	0.25	0.13
330	-	-	0.19	0.10
400	-	-	0.20	0.16
500	-	-	0.20	0.16

Size	Filter material: AM Element type: R		Filter material: BN4AM	
	40 µm	3 µm	10 µm	
330	2.10	8.7	3.0	
500	1.38	-	-	
660	0.93	3.5	1.2	
850	0.72	-	-	
950	0.66	2.4	0.8	
1300	0.47	1.6	0.6	
2600	0.23	1.0	0.3	

Size	Filter material: MM Element type: RK	
	10 µm	15 µm
80	2.70	1.60
100	1.80	1.10
120	1.40	0.90
151	1.00	0.65
201	0.75	0.47
251	0.58	0.36
300	0.62	0.39
350	0.30	0.20
400	0.56	0.35
800	0.44	0.27

Size	Filter material: MM Element type: MX	
	10 µm	15 µm
100	2.7	2.2
200	1.6	1.3

Size	Filter material: G/HC Element type: R	
	10 µm	
110	1.91	
240	0.92	
330	0.69	
500	0.45	
660	0.30	
850	0.23	
950	0.21	
1300	0.15	
1700	0.11	
2600	0.08	

4. MULTIPASS FILTER PERFORMANCE DATA TO ISO 16889

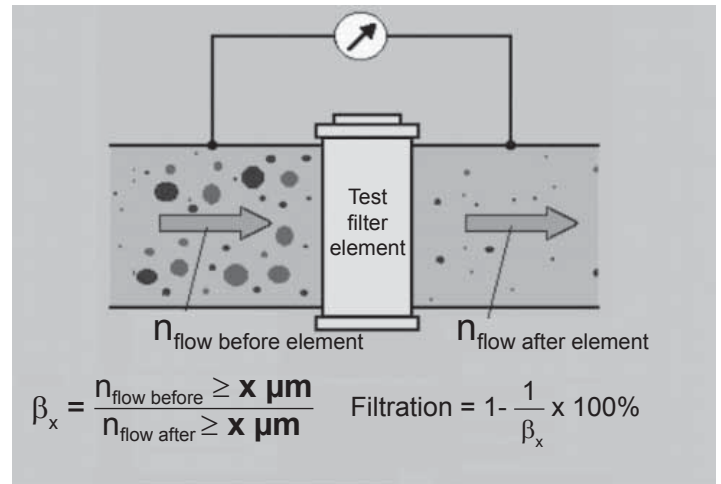
The contamination retention and particle filtration performance of an element (with the exception of: paper P, P/HC, wire mesh W, W/HC, V and super absorber AM) are established in the multipass test to ISO 16889. This procedure with its precisely defined test conditions and standard test dust (ISO MTD) enables the performance data of different elements to be compared.

4.1 EXPLANATION OF THE MULTIPASS TEST

The multipass test is an idealised hydraulic circuit, in which the filter element under test is subjected to a constant flow rate. The size and number of contamination particles are calculated before and after the element.

The ratio of the number of particles of a certain size (and larger) before the filter to the number of particles of a certain size after the filter indicates the filtration performance, what is known as the $\beta_{x(c)}$ value. The "x" stands for the particular particle size being considered. A $\beta_{x(c)}$ value of 200 or above is considered (according to DIN 24550) to be absolute filtration. It is important that the $\beta_{x(c)}$ values remain at absolute level over a wide differential pressure range and do not fall as the element contamination and operating time increase.

The filtration rating is determined from the $\beta_{x(c)}$ value (see illustration).



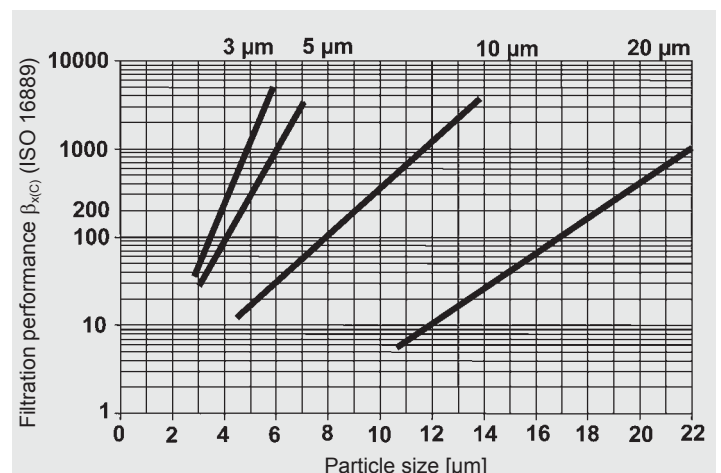
Performance features

Owing to their high performance standard, HYDAC absolute elements protect the functions of important and expensive hydraulic components and increase their service life. The most important performance features are:

- High level of particle separation ($\beta_{x(c)}$ values)
- High level of particle separation over a wide differential pressure range (high $\beta_{x(c)}$ value stability)
- High contamination retention capacity
- High pressure stability values
- Low initial differential pressure
- Good flow fatigue strength
- Good water retention capacity (for water-absorbing filter material)

4.2 FILTRATION PERFORMANCE

The graph below shows the filtration performance of different filtration ratings.



4.3 REAL CONTAMINATION RETENTION CAPACITY [g]

Size	Filter material: BN4HC							
	Element type: D				Element type: R			
	3 µm	5 µm	10 µm	20 µm	3 µm	5 µm	10 µm	20 µm
30	4.6	5.1	5.4	5.6	2.6	2.9	3.5	4.0
35	7.2	8.1	8.6	8.8	-	-	-	-
55	14.0	15.8	16.6	17.2	-	-	-	-
60	6.5	7.3	7.8	8.0	5.7	6.3	7.6	8.6
75	21.6	24.3	25.7	26.5	10.3	11.4	13.7	15.5
90	-	-	-	-	12.2	13.5	16.2	18.3
95	27.5	30.9	32.7	33.7	-	-	-	-
110	13.8	15.5	16.4	16.9	12.0	13.3	16.0	18.1
140	18.1	20.3	21.5	22.2	-	-	-	-
150	-	-	-	-	20.4	22.6	27.2	30.8
160	19.8	22.2	23.5	24.3	18.6	20.7	24.9	28.1
165	-	-	-	-	18.7	20.7	24.9	28.2
185	-	-	-	-	25.6	28.4	34.1	38.6
210	-	-	-	-	50.7	56.2	67.6	76.5
240	32.3	36.3	38.4	39.6	29.3	32.5	39.1	44.2
260	46.4	52.0	55.0	56.9	-	-	-	-
270	-	-	-	-	78.4	86.9	104.5	118.2
280	70.6	79.3	83.9	86.6	62.3	69.0	83.0	93.9
300	26.1	29.3	31.0	32.0	-	-	-	-
330	47.2	53.1	56.1	57.9	38.4	42.6	51.2	57.9
450	52.1	58.7	62.0	63.9	49.1	54.4	65.5	74.1
500	76.9	86.5	91.5	94.4	58.9	65.3	78.6	88.9
580	-	-	-	-	124.7	138.2	166.3	188.1
600	-	-	-	-	145.5	161.3	194.0	219.4
650	85.4	96.1	101.5	104.7	-	-	-	-
660	102.2	114.9	121.5	125.4	87.1	96.5	116.1	131.3
750	-	-	-	-	147.1	163.0	196.1	221.9
850	-	-	-	-	112.1	124.2	149.5	169.1
900	112.8	127.0	134.1	138.3	-	-	-	-
950	-	-	-	-	130.0	144.1	173.3	196.1
990	154.5	173.7	183.7	189.5	-	-	-	-
1300	-	-	-	-	181.0	200.7	241.4	273.1
1320	209.9	236.0	249.6	257.5	-	-	-	-
1500	220.0	226.0	238.0	246.0	-	-	-	-
1700	-	-	-	-	229.8	254.7	306.4	346.6
2600	-	-	-	-	369.4	409.4	492.5	557.2

Size	Filter material: BN4HC		
	Element type: MX		
	5 µm	10 µm	20 µm
100	27.8	27.8	28.8
200	47.4	47.4	49.4

Size	Filter material: BH4HC			
	Element type: D			
	3 µm	5 µm	10 µm	20 µm
30	3.0	2.9	3.2	3.7
35	5.3	5.2	5.8	6.6
55	10.5	10.3	11.5	13.0
60	4.6	4.5	5.0	5.7
110	10.1	9.9	10.9	12.4
140	13.3	13.0	14.3	16.3
160	12.9	12.6	13.9	15.9
240	21.6	21.1	23.2	26.5
280	48.1	47.1	51.8	59.1
300	17.0	16.6	18.3	20.9
330	34.6	33.9	37.2	42.5
450	35.0	34.2	37.6	42.9
500	57.5	56.3	61.8	70.5
650	58.3	57.1	62.8	71.6
660	76.8	75.2	82.6	94.3
900	77.3	75.7	83.1	94.8
990	111.8	109.4	120.2	137.2
1320	153.8	150.7	165.5	188.8
1500	126.4	137.8	160.9	195.3

Size	Filter material: BN4HC (dimensions to DIN 24550)							
	Element type: DN				Element type: RN			
	3 µm	6 µm	10 µm	25 µm	3 µm	6 µm	10 µm	25 µm
40	5.2	5.6	6.3	7.0	7.1	8.0	8.9	10.6
63	9.2	9.9	11.1	12.8	13.0	14.7	16.3	19.6
100	15.4	16.5	18.6	20.6	22.0	24.7	27.5	33.0
160	27.5	29.3	33.1	36.7	36.2	40.7	45.3	54.2
250	46.0	49.0	55.2	61.3	61.4	69.1	76.8	92.1
400	76.2	81.3	91.4	101.5	88.2	99.2	110.2	132.3
630	-	-	-	-	148.6	167.3	185.8	222.9

Size	Filter material: BH4HC (dimensions to DIN 24550)			
	Element type: DN			
	3 µm	6 µm	10 µm	25 µm
40	4.1	4.4	5.2	6.2
63	7.3	7.9	9.2	11.2
100	12.2	13.2	15.5	18.9
160	21.8	23.9	27.8	33.8
250	38.1	41.7	48.6	59.0
400	63.6	69.5	81.0	98.3

Size	Filter material: MM	
	Element type: RK	
	10 µm	15 µm
80	11.0	13.3
100	16.3	19.6
120	20.7	25.0
151	26.6	31.4
201	50.9	61.4
251	61.9	74.7
300	55.6	67.1
350	87.0	105.0
400	67.4	81.3
800	86.3	104.2

Size	Filter material: MM	
	Element type: MX	
	10 µm	15 µm
100	19.6	19.6
200	33.0	33.0

Size	Filter material: ECON2			
	Element type: R			
	3 µm	5 µm	10 µm	20 µm
30	2.6	2.9	3.5	4.0
60	5.7	6.3	7.6	8.6
75	10.3	11.4	13.7	15.5
90	12.2	13.5	16.2	18.3
110	12.0	13.3	16.0	18.1
150	20.4	22.6	27.2	30.8
160	18.6	20.7	24.9	28.1
165	18.7	20.7	24.9	28.2
185	25.6	28.4	34.1	38.6
240	29.3	32.5	39.1	44.2
280	62.3	69.0	83.0	93.9
330	38.4	42.6	51.2	57.9
500	58.9	65.3	78.6	88.9
660	87.1	96.5	116.1	131.3
750	147.1	163.0	196.1	221.9
850	112.1	124.2	149.5	169.1
950	130.0	144.1	173.3	196.1
1300	181.0	200.7	241.4	273.1
1700	229.8	254.7	306.4	346.6
2600	369.4	409.4	492.5	557.2

Size	Filter material: ECON2		
	Element type: MX		
	5 µm	10 µm	20 µm
100	29.9	29.9	33.0
200	50.5	50.5	56.0

Size	Filter material: BN4AM	
	Element type: R	
	3 µm	10 µm
330	55.0	60.0
660	120.0	140.0
950	170.0	190.0
1300	240.0	270.0
2600	490.0	540.0

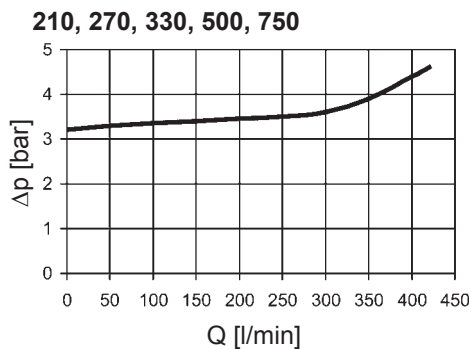
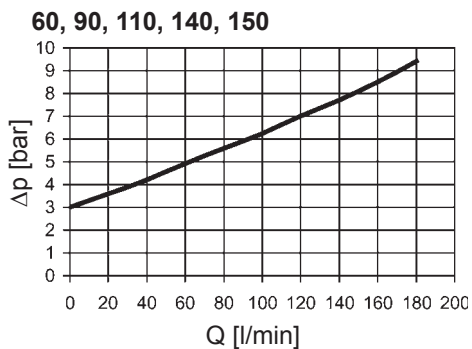
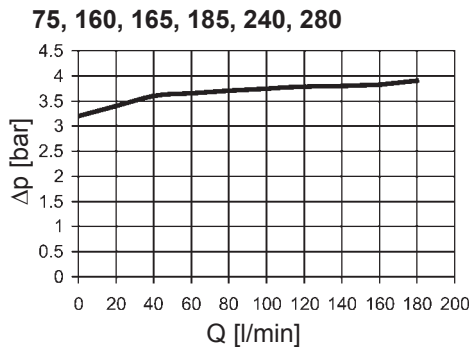
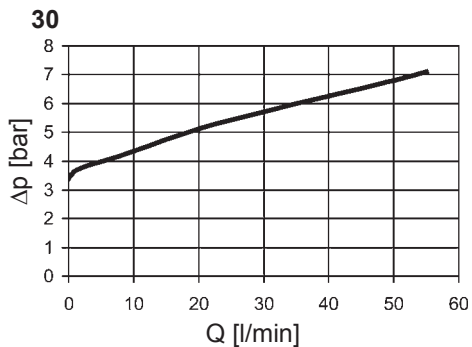
5. FILTER AREAS [cm²]

Size	Filter material: V (VB on request)	Filter material: W/HC Element type: D	Filter material: W	Filter material: V (VB on request)	Filter material: W Element type: R	Filter material: W/HC	Filter material: P/HC
30	268	-	256	221	256	-	283
60	318	418	330	372	330	507	572
110	648	910	672	758	672	1034	1166
140	852	1200	884	-	-	-	-
160	1082	1144	857	1071	857	1607	1978
165	-	-	-	-	1556	1556	1915
240	1702	1911	1348	1685	1348	2527	3110
260	-	3180	-	-	-	-	-
280	3615	4264	2862	-	-	-	-
330	2260	3133	1795	2081	1795	3695	4230
500	3640	5207	2891	3182	2745	5651	6470
660	4770	6958	3795	4659	3998	8232	8722
850	-	-	-	5999	5148	10599	11230
950	-	-	-	6813	5596	11521	15221
990	-	10091	-	-	-	-	-
1300	-	-	-	9520	7820	16099	21269
1320	-	13916	-	-	-	-	-
1700	-	-	-	-	10550	21730	23020
2600	-	-	-	19424	15954	32847	43394

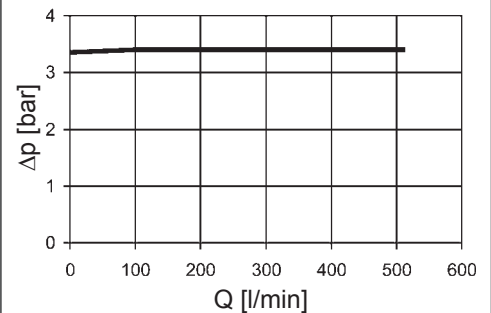
6. BYPASS VALVE CURVES

The bypass curves apply to mineral oil with a density of 0.86 kg/dm³.

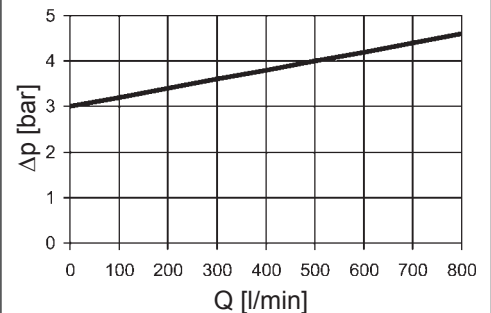
The valve differential pressure changes proportionally to the density.



660, 850, 1700



950, 1300, 2600



NOTE

The information in this brochure relates to the operating conditions and applications described.

For applications or operating conditions not described, please contact the relevant technical department.

Subject to technical modifications.

HYDAC FILTERTECHNIK GMBH
 Industriegebiet
D-66280 Sulzbach/Saar, Germany
 Tel.: 0 68 97 / 509-01
 Fax: 0 68 97 / 509-300
 Internet: www.hydac.com
 E-mail: filter@hydac.com

Filter Elements Betamicron® 4. For Reduced Life Cycle Cost.

Good. Better. Betamicron® 4

The previous Betamicron®3 technology already provided certainty:
A high level of fluid cleanliness with long-term stability for hydraulic and lubrications systems.
The new generation Betamicron®4 goes one better:
Outstanding performance data for reduced Life Cycle Cost.

The key innovations of the 4th Generation are:

- Optimized mesh pack structure with newly developed filter media and additional drainage layer.
- Improved performance data (particle separation, contamination retention, $\Delta p/Q$ characteristics).
- Patented process for longitudinal seam bonding.
- Element is fully discharge-capable.
- Use of spiral lock seam support tubes
- Element outer wrap in plastic (previously metal)

Technical data:

- Pressure stability:
Low pressure differential stability: 20 bar (BN4HC);
High pressure differential stability: 210 bar (BH4HC)
- Filtration ratings: 3, 5, 10, 20 μm



Attach



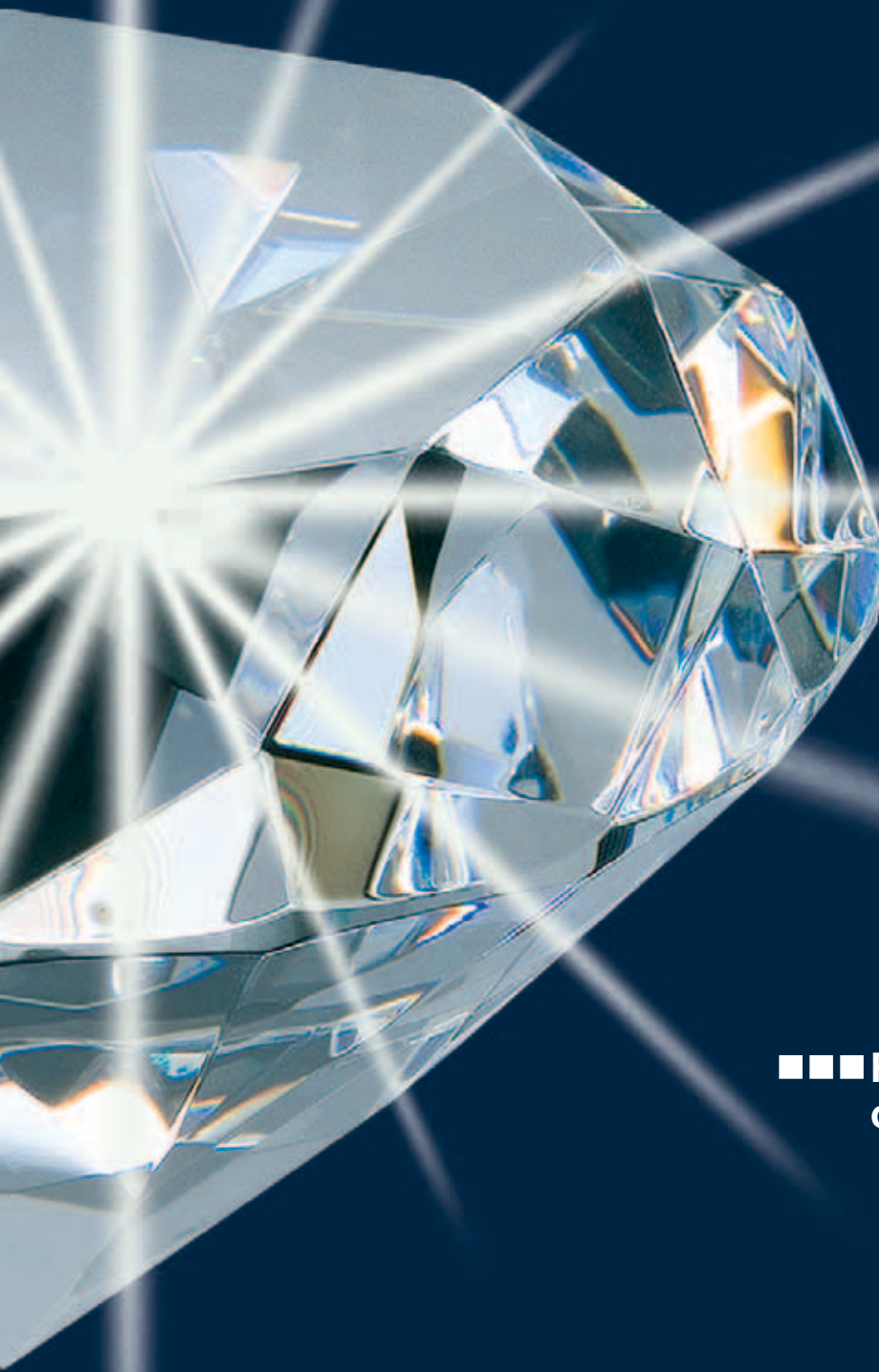
■■■ Improved
operational reliability

■■■ Longer
maintenance intervals

■■■ Reduced
energy cost

■■■ Longer
system service life

Importance to...



■■■ Better
component protection

■■■ Reduced
downtime cost

■■■ Reduced
operating cost

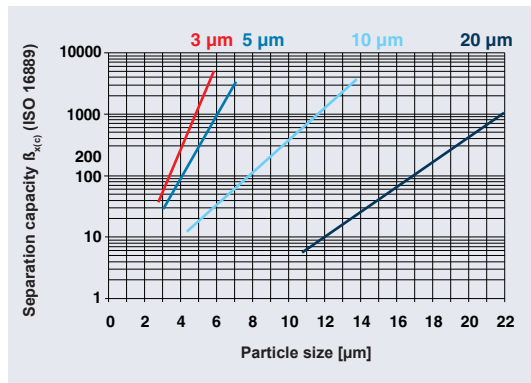
■■■ Reduced shipping
and waste disposal cost

Optimized three-layer filter mesh pack structure with new glass fibers

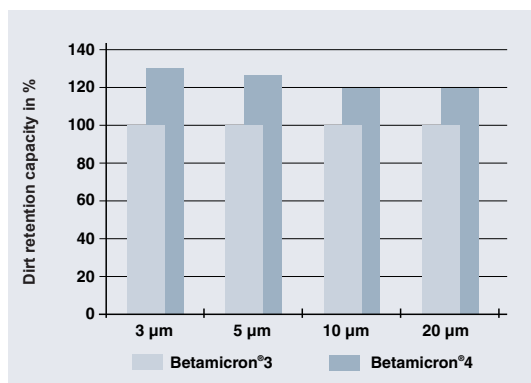
Absolutely new filter media were developed for the new Betamicron®4 filter elements. Due to the 3-stage structure, highest contamination retention and separation capacity are ensured. As a result of the integration of an additional drainage layer, the fluid flow is directed in an optimum way, and particularly favorable $\Delta p/Q$ characteristics are achieved.

Longer element service life and energy cost savings due to particularly low pressure losses across the element

Better component protection and longer system service life due to improved separation capacity
(with filter ratings 3 and 5 μm)



Longer element service life and lower operating costs due to increase in the contamination retention capacity by up to 30 %



Patented longitudinal seam bonding method

An innovative bonding process used for the longitudinal seam ensures completely sealed integration of the cut ends of the mesh pack. Transition of particles from the contaminated to the clean side is eliminated.

High operational reliability, even under dynamic loads, due to tight longitudinal seam bonding.

Zinc-free structure

To prevent the formation of zinc soap, which occurs mainly when water-containing fluids (HFA/HFC) and bio-oils are used, no zinc-containing components are employed.

High operational reliability, because elements cannot be blocked as a result of the formation of zinc soap

Savings in storage costs, because the filter elements can be used universally

Use of spiral lock seam support tubes

The metal tube provided inside the element for stabilization purposes is designed as spiral lock seam tube, which offers unchanged stability while significantly reducing the element weight.

Reduced shipping and waste disposal costs due to weight reduction by up to 30 %



Class Filter Element Technology.



Filter mesh pack protected by outersleeve

The star-pleated filter mesh pack is enclosed in a stable outer plastic sleeve. This sleeve distributes the incoming fluid evenly over the mesh pack (diffusor effect). In addition the fluid does not flow directly through the mesh pack, and this protects it from pulsating flows. In this way, the element achieves extremely high flow fatigue strength values. Moreover, the mesh pack is protected against mechanical damage, e.g. when elements are being installed. Since the outer sleeve permits overprinting with the customer logo, it can be used as an advertising medium for OEMs, thus ensuring spare parts business. At the same time the user can rely on the fact that he is always buying a genuine spare part.

- ◆ **High operational reliability, because the sensitive filter mesh pack is protected against direct fluid flows and pulsation**
- ◆ **Low energy consumption, because due to the uniform distribution of the fluid (diffusor effect), a particularly low Δp is achieved across the element**
- ◆ **Ease of handling, because the compact element is protected against damage in transit and during its installation**
- ◆ **Protection against product piracy through "brand labeling"**



The figure shows elements with customer logo, which are increasingly used across all industrial sectors.

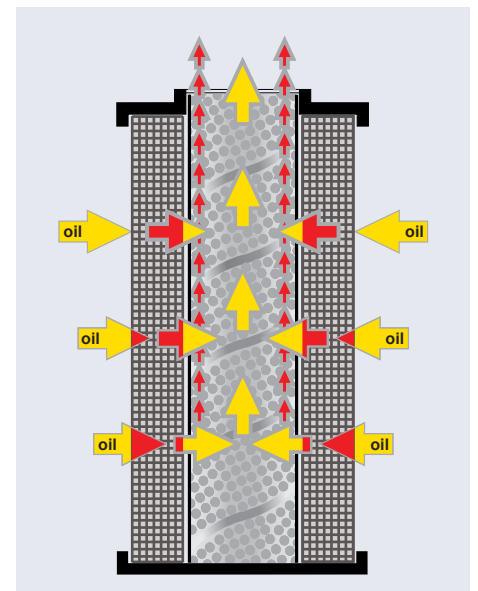
Particularly advantageous: The logo is also perfectly legible when the filter is dirty, that is, when the element is actually changed. "Brand labeling" by HYDAC will result in an enormous increase in your spare parts business and improve the process quality through the use of genuine spare parts.

Use of electrically conductive plastics and innovative filter media

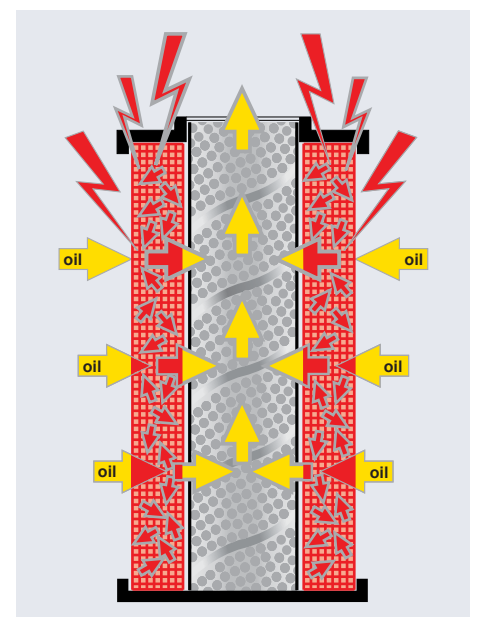
Due to a complete revision of the materials used, e.g. conductive plastics, full discharge-capability of the filter elements was achieved.

Charging of the filter elements during operation was therefore reduced to an absolutely uncritical level. This means that risks such as sudden sparking and the subsequent formation of black carbon or sludging of the oil are reliably eliminated.

- ◆ **High operational reliability, because the filter element is fully discharge-capable**



Discharge on a discharge-capable element



No discharge on an element, which is not discharge-capable

Better Quality, Performance and Efficiency.

Performance data:

Contamination retention capacity

Established in line with the multipass test ISO 16889

Return flow elements (R)				
Size	Betamicon BN4HC			
	3 µm	5 µm	10 µm	20 µm
30	2.6	2.9	3.5	4.0
60	5.7	6.3	7.6	8.6
75	10.3	11.4	13.7	15.5
90	12.2	13.5	16.2	18.3
110	12.0	13.3	16.0	18.1
150	20.4	22.6	27.2	30.8
160	18.6	20.7	24.9	28.1
165	18.7	20.7	24.9	28.2
185	25.6	28.4	34.1	38.6
210	50.7	56.2	67.6	76.5
240	29.3	32.5	39.1	44.2
270	78.4	86.9	104.5	118.2
280	62.3	69.0	83.0	93.9
330	38.4	42.6	51.2	57.9
480	62.3	69.0	83.0	93.9
500	58.9	65.3	78.6	88.9
660	87.1	96.5	116.1	131.3
750	147.1	163.0	196.1	221.9
850	112.1	124.2	149.5	169.1
950	130.0	144.1	173.3	196.1
1200	179.1	198.5	238.8	270.1
1300	181.0	200.7	241.4	273.1
1700	229.8	254.7	306.4	346.6
2600	369.4	409.4	492.5	557.2

Pressure elements (D)									
Size	Betamicon BN4HC				Betamicon BH4HC				
	3 µm	5 µm	10 µm	20 µm	3 µm	5 µm	10 µm	20 µm	
30	4.6	5.1	5.4	5.6	3.0	2.9	3.2	3.7	
35	7.2	8.1	8.6	8.8	–	–	–	–	
55	14.0	15.8	16.6	17.2	–	–	–	–	
60	6.5	7.3	7.8	8.0	4.6	4.5	5.0	5.7	
75	21.6	24.3	25.7	26.5	–	–	–	–	
95	27.6	30.9	32.7	33.7	–	–	–	–	
110	13.8	15.5	16.4	16.9	10.1	9.9	10.9	12.4	
140	18.1	20.3	21.5	22.2	13.3	13.0	14.3	16.3	
160	19.8	22.2	23.5	24.3	12.9	12.6	13.9	15.9	
240	32.3	36.3	38.4	39.6	21.6	21.1	23.2	26.5	
280	70.6	79.3	83.9	86.6	48.1	47.1	51.8	59.1	
330	47.2	53.1	56.1	57.9	34.6	33.9	37.2	42.5	
500	76.9	86.5	91.5	94.4	57.5	56.3	61.8	70.5	
660	102.2	114.9	121.5	125.4	76.8	75.2	82.6	94.3	
990	154.5	173.7	183.7	189.5	111.8	109.4	120.2	137.2	
1320	209.9	236.0	249.6	257.5	153.8	150.7	165.5	188.8	

Δp/Q gradient coefficients in mbar/l/min

Flow rate established in line with ISO 3968

Return flow elements (R)				
Size	Betamicon BN4HC			
	3 µm	5 µm	10 µm	20 µm
30	68.4	43.9	26.8	14.7
60	26.8	18.3	10.9	6.9
75	22.0	14.2	8.1	4.4
90	14.9	10.1	6.7	3.2
110	14.9	9.4	6.0	3.2
150	8.9	6.0	4.0	1.9
160	9.5	5.9	3.8	2.9
165	11.2	7.8	4.5	2.4
185	8.9	6.1	3.3	1.8
210	3.9	2.6	1.8	1.1
240	6.2	3.8	2.6	1.8
270	2.5	1.7	1.1	0.7
280	3.1	2.2	1.6	1.0
330	4.2	2.7	1.7	1.2
480	3.1	2.2	1.6	1.0
500	3.0	1.9	1.3	0.8
660	1.9	1.2	0.8	0.5
750	1.3	0.9	0.6	0.4
850	1.5	1.0	0.7	0.4
950	1.2	0.8	0.5	0.4
1200	1.0	0.8	0.5	0.3
1300	0.8	0.6	0.4	0.3
1700	0.7	0.5	0.3	0.2
2600	0.4	0.3	0.2	0.1

Pressure elements (D)									
Size	Betamicon BN4HC				Betamicon BH4HC				
	3 µm	5 µm	10 µm	20 µm	3 µm	5 µm	10 µm	20 µm	
30	63.9	43.3	22.8	11.3	91.2	50.7	36.3	19.0	
35	23.6	19.0	14.8	9.3	–	–	–	–	
55	13.7	11.0	8.1	4.8	–	–	–	–	
60	28.9	20.4	13.2	7.9	58.6	32.6	18.1	12.2	
75	9.3	7.5	5.3	3.1	–	–	–	–	
95	7.5	6.0	4.1	2.4	–	–	–	–	
110	14.9	10.7	6.6	3.7	25.4	14.9	8.9	5.6	
140	12.8	8.2	4.8	2.9	19.9	11.3	8.1	4.3	
160	13.1	8.8	4.6	3.5	16.8	10.4	5.9	4.4	
240	8.2	6.1	3.6	2.3	10.6	6.8	3.9	2.9	
280	4.0	3.1	1.7	1.3	5.7	3.4	1.8	1.6	
330	5.4	3.9	3.0	1.7	7.7	4.5	2.8	2.0	
500	3.3	2.4	1.5	1.1	4.2	2.6	1.5	1.2	
660	2.5	1.8	1.1	0.8	3.3	1.9	1.0	0.9	
990	1.6	1.2	0.7	0.5	2.2	1.3	0.8	0.6	
1320	1.2	0.9	0.5	0.4	1.6	1.0	0.6	0.4	
1500	1.1	0.8	0.6	0.4	1.4	0.8	0.6	0.5	

Betamicon® 4 Reduces Life Cycle Cost.

Life Cycle Cost – what does this mean?

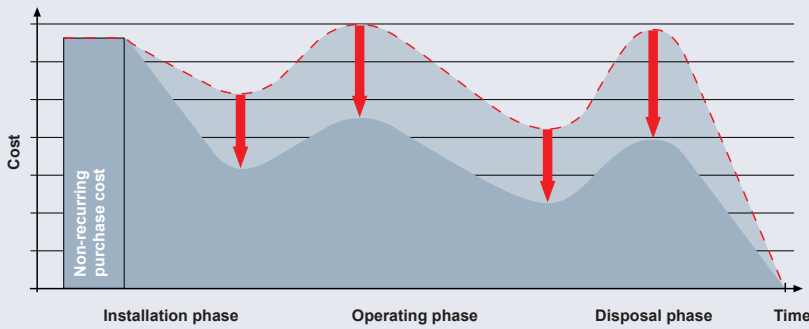
The term Life Cycle Cost is today a dominating topic among suppliers, machine builders and end customers. We understand by this the total cost of a system, machine or component from the procurement through to its scrapping.

The reduction of Life Cycle Cost is one of the mega trends in mechanical engineering. The objective is to make product costs transparent beyond the purchase price over the entire lifecycle, thus creating a better basis for the customer's buying decision.

Major end customers set this trend.

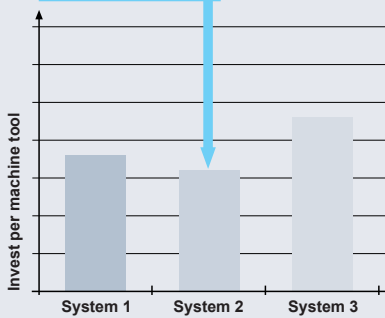
Leading car makers, for example, require binding information about the Life Cycle Cost and derived variables – e.g. for machine tools for 10 years, for presses even for up to 30 years. Decisions on new investments by machine manufacturers are based on the machine price and the Life Cycle Cost calculation offered.

Objective: Life Cycle Cost Optimization

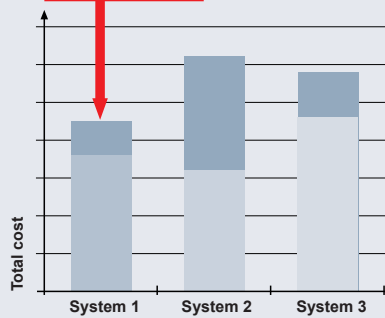


Cost curve during the total lifecycle of the machine / system

Budget-driven Decision



Decision driven by Total Cost



Source: MAN B & W Diesel AG, example: Daimler Chrysler

Winner in the system properties

This changed and holistic understanding of cost by end customers naturally results in new challenges that machine manufacturers have to take.

For system concepts, subsystems and components used must also stand the test with regard to their influence on the Life Cycle Cost.

Betamicon® 4 elements are the winners in the “Life Cycle Cost contest”

The table summarizes it: Betamicon®4 elements result in a minimization of, for example, the following types of cost:

	Optimized mesh pack structure	Optimized longitudinal seam	Zinc-free structure	Spiral lock seam support tubes	Protective sleeve	Discharge capability
	minimized					
Energy	●					
Personnel	●	●			●	●
Logistics			●	●		
Failure	●	●	●		●	●
Production	●	●				●
Repair	●	●	●		●	●
Maintenance	●	●	●		●	●
Spare parts	●	●	●		●	●
Waste disposal				●		

HYDAC

INTERNATIONAL

**The HYDAC
Betterfit Range
With our Investment,
You Can't Lose.**



The HYDAC Betterfit Range: The Royal Flush in Filter Elements.

The Best Combination. Every Time. On Paper and in Practice.

With HYDAC and the HYDAC Betterfit Range
you hold all the aces
when it comes to conditioning your fluids:

Global presence.

HYDAC forges close links with its customers by providing engineering advice and fluid engineering in over 40 international subsidiaries and over 500 distributors and service partners worldwide.

Specialist expertise.

HYDAC has developed expertise in the research, development and production of filter housings, filter systems and filter elements over many decades.

Industry competence.

HYDAC industry competence forged through close cooperation with the most exacting international clients in almost all industries in the world.

Complete range.

HYDAC filter elements provide a comprehensive range to suit all applications and also almost all competitor filters. Our customer-focused service package is included, ranging from specialist advice to availability at short notice.

Quality from the ground up.

In the HYDAC Fluid Care Center, which is our own state-of-the-art industrial laboratory for basic research, functionality and quality testing as well as application-specific development, we explore the most efficient fluid technology solutions.

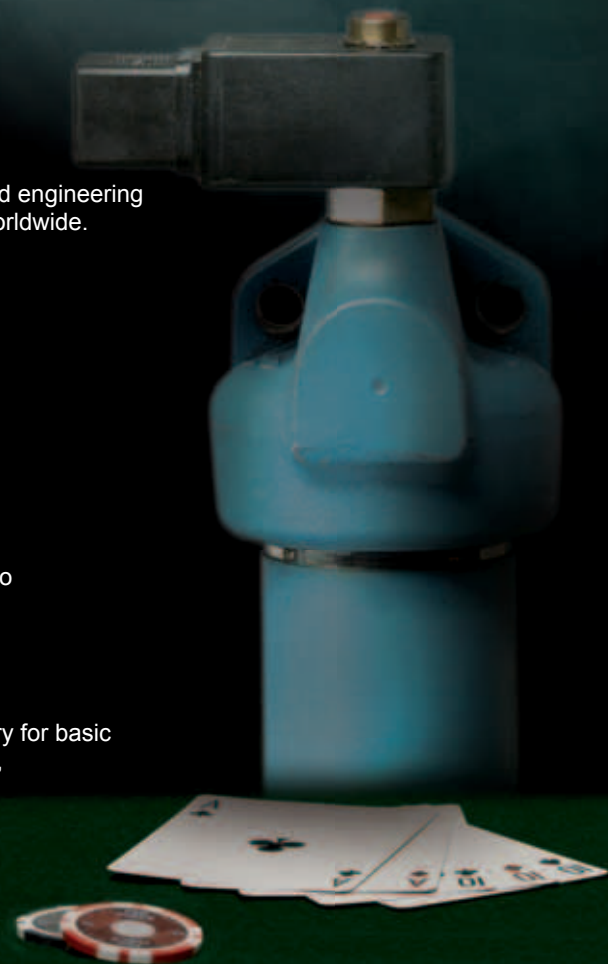
This results in high-end quality filters and elements with maximum efficiency.

Strongest link in the chain.

As a system partner with wide-ranging industrial experience, HYDAC does its utmost to ensure each filter element is one of the most efficient links in the functionality chain of fluid technology systems. HYDAC therefore guarantees the greatest possible component protection for the longest possible service life.

Better is better than good enough.

The HYDAC Betterfit range combines the best ideas and the best in fluid engineering – filter elements which stand up to every comparison and every challenge.



Don't fall for a cheap bluff.



Using elements of inferior quality can have drastic consequences:

- Poorer cleanliness classes in the customer's system
- Inadequate component protection
- Shorter filter lifetimes
- Threat to operating reliability and even risk of system failures
- Restricted system availability
- Increased Life Cycle Cost for the customer

**Never trust a poker face.
Don't let yourself be taken in!**

**Trust HYDAC,
Your system will thank you for it!**

The shocking evidence of these no-name elements which have collapsed shows exactly what happens to cheap filter elements after just a few hours operation. The often unseen damage caused to systems and control components can sometimes have the effect of paralysing whole production systems. By contrast, with HYDAC filter elements and their rigorous and systematic quality, you will have a winning hand for every application.



B-E-T-T-E-R-F-I-T**Better for quality and efficiency.****Here you are guaranteed to find the right element.**

The HYDAC Betterfit range covers a wide variety of replacement elements in the dimensions used by competitors, particularly all well-known filter element manufacturers.

Our Betterfit elements are made predominantly from the tried-and-tested Betamicron^{®4} element technology (other materials, such as synthetic fibre or wire mesh are also available).

Bet on genuine quality equipment and opt for Hydac replacement elements – your system will thank you for it!

By using our Betterfit elements you will benefit from the whole Hydac service package – from oil sampling to oil analysis. This also includes identifying the source of faults and designing filtration concepts. Hydac supports you at every stage and in all aspects of fluid service.

Just as our motto says "With our investment, you can't lose" we will take care of your system, leaving you to concentrate fully on your core competence.

Steady expansion of the Betterfit range.

Since launching the Betterfit range the number of replacement filter elements has increased daily. We are proactive when it comes to your request.

If the required element is not yet available, we will endeavour to add it to the Betterfit product range as quickly as possible once we have examined the design.

Today there are approximately 23,000 replacement elements in the Betterfit line of elements and the number is growing day by day.

BETAMICRON^{®4}

Decades of experience and ongoing further development in the field of hydraulic and lubrication oil filtration have given HYDAC the technological edge in top quality filter element technology.

The high performance Betamicron^{®4} is the predominant material used in the **Betterfit element product range.**

This innovative glass fibre media will win you over with its exceptionally high contamination retention capacities, excellent filtration efficiency and optimized $\Delta p/Q$ characteristics.

Particular customer benefits of HYDAC filter elements:

- **Energy cost savings** thanks to particularly low pressure drops
- **High quality component protection and long system life** due to excellent filtration efficiency
- **Long service life and low operating costs** due to particularly high contamination retention capacities
- **High degree of operating reliability** because of compact and robust construction

EFFICIENCY

Global and yet local.

40 overseas companies and over 500 sales and service partners provide a worldwide presence on the ground. We provide efficient support on demand.

TOTAL CLEANLINESS

And your system will thank you for it.

TECHNICAL SUPPORT

Skilled advisors in the regional offices and overseas subsidiaries.

ONE FOR ALL

All from one supplier.

HYDAC can supply you with the whole spectrum of products including outstanding Fluid Service. Specifically in the area of filtration, we can supply you with every filter element used in your production processes from our Betterfit range - just tell us your filter cartridge requirement and you will receive the complete package from one supplier. In short: we take care of your filtration needs whilst you concentrate fully on your core competence.

CLEANLINESS

System cleanliness assured by professionalism and quality.

FLUID MANAGEMENT

With HYDAC, your fluid is in safe hands

We know your fluid and welcome the opportunity to help you reduce the burden of fluid service. You will see for yourself the clear benefit of having a hydraulic or lubrication system that works perfectly, leaving you to concentrate fully on your specialism. Entrust us with your fluid and benefit from our Fluid Engineering package since this ensures:

- **A long system life** thanks to better component protection.
- **A definite cost saving** due to reduced operating and downtime costs.

And fits all housings, fluids and cleanliness classes.

INTELLIGENT FLUID SERVICE

By making use of HYDAC fluid service specialists.

In fluid service, too, you can benefit from decades of experience and development.

How HYDAC's excellent fluid service benefits you:

■ **On-site diagnostics with our laboratory vehicles**

■ **Specialist staff available on demand**

■ **Lower costs thanks to professional oil sample analysis, monitoring and support** (condition-based maintenance)

■ **Lower maintenance and spare part costs**

■ **Increased operating reliability due to fewer breakdowns**

TREND: SYSTEM EXPERTISE

Sub-systems and systems.

HYDAC is not only a component specialist, but also has decades of experience in power unit and system engineering. The filter component is therefore never viewed in isolation, but always as an important part of the whole system. This practice is followed through to the complete system!

With this wealth of expertise in applications and systems, HYDAC automatically sees its individual components, such as filters and filter elements, in conjunction with the whole system and understands how they can best be configured to suit the particular system requirements.

Within the framework of Fluid Engineering HYDAC guarantees you **the right filter and the right filter element in the right location** – because for HYDAC, this is not just wishful thinking, but an everyday reality.



Don't gamble with your components.

**Our advice:
Put your money
on genuine quality!**

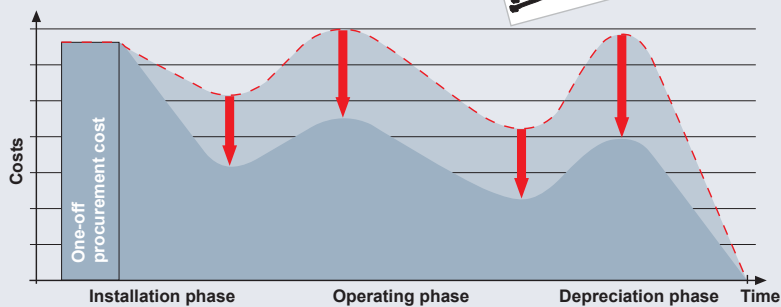
The many years' development in the area of element technology is your guarantee of first class quality in Hydac filter elements and this applies equally to the **Betterfit** range.

By using Betterfit elements, the **Life Cycle Cost** of your system will be optimized, thereby reducing the total costs of the machine or a component, from procurement right through to scrapping. Reducing these costs is one of the **megatrends** pursued by large-scale end users in machine building.

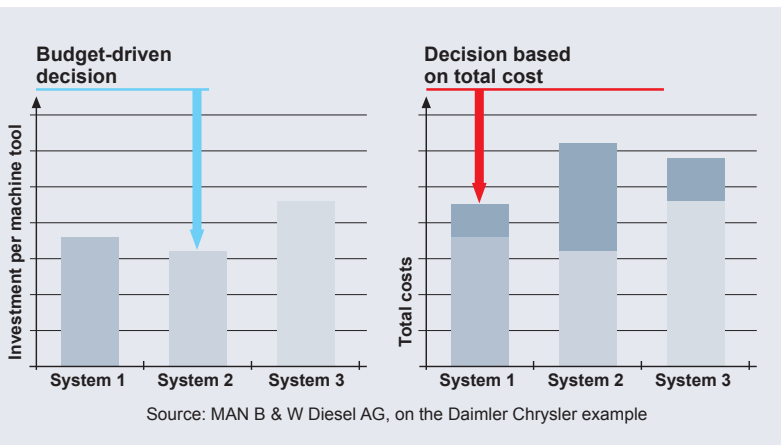
Leading automotive manufacturers demand, for example, authoritative data on the **Life Cycle Cost** and the values derived from it – e.g. for machine tools for 10 years life, for presses even up to 30 years life. New investments by machinery manufacturers are decided on the basis of the machine prices and the Life Cycle Cost calculation provided.



Objective: Life Cycle Cost Optimization



Cost progression during the whole life cycle of the machine / system

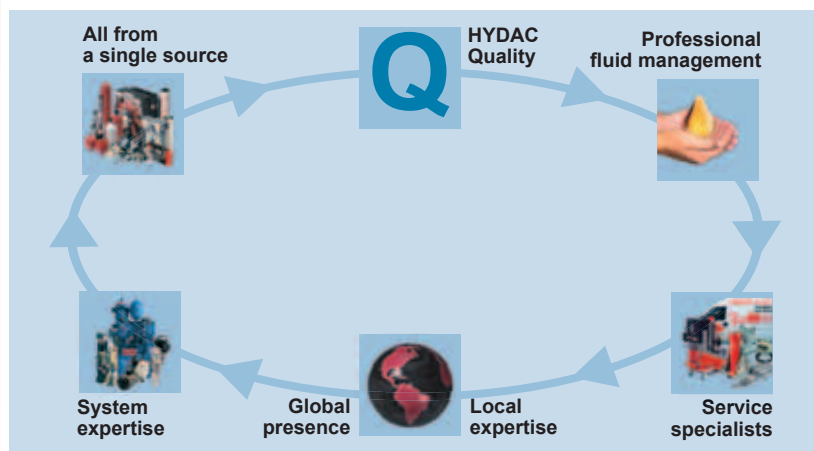


The winners in terms of system properties

With Us, Your Fluid is in Safe Hands.

The specialists at HYDAC have a good knowledge of your fluid and welcome the opportunity to help you reduce the burden of fluid service. You will see for yourself the clear benefit of having a hydraulic or lubrication system that works perfectly, leaving you to concentrate fully on your area of expertise.

When you decide on a HYDAC Betterfit element, you are not "just" buying a filter element, but you are also benefitting at the same time from the HYDAC network of expertise and service available worldwide:



Highest level of operating reliability for your applications

In HYDAC you have a professional partner for all aspects of fluid cleanliness and operating reliability for your system.

The complete HYDAC Betterfit range currently comprises approx. 23,000 elements and is growing daily.

The HYDAC filter range is also impressive with over 50 types of filter in every conceivable size and type. In addition, new individual solutions are constantly being developed, partly in active development partnership with the manufacturers.

HYDAC filters offer you the following advantages.

Low costs

the filter elements and housings are optimized for the particular industry

Easy maintenance

simple element change and easy-to-install filter housing

High level of operating reliability

filter media have high filtration efficiency for exceptional cleanliness classes and benefit from a high level of production quality

Low operating costs

particularly low pressure drops across filter and filter element for low energy consumption

All components and systems from one company

providing comprehensive system expertise and an integrated system approach

Worldwide availability and advice

provided by our worldwide network of regional offices, agents and service partners

HYDAC, your Partner for Hydraulics and Lubrication Applications.

With 5,500 employees worldwide, HYDAC is one of the leading suppliers of fluid technology, hydraulic and electronic equipment.

Our wide range of products, combined with our well-grounded expertise in all aspects of hydraulics and lubrication applications qualify HYDAC to be your professional partner for every aspect of hydraulics. Particularly in the area of filtration you will profit from the decades of HYDAC experience and development successes.

Our quality and environment certification ISO 9001/2000 and ISO 18001 denote first class quality and responsible management of our resources.

That's why you can count on HYDAC - we provide, you profit.

All from one supplier.

HYDAC will help find the solution for you!

From first class components right up to turnkey system solutions, from support during commissioning to maintenance and optimization, from professional filtration, to oil condition monitoring and expert cooling.



First class laboratory and testing expertise in the HYDAC Fluid Care Center

The new Fluid Care Center, specifically designed for filters and filter monitoring, is an important component in HYDAC fluid management and the HYDAC service concept. Equipped with the most up-to-date instruments and test rigs, it offers a huge range of options for fluid analysis and application-specific filtration efficiency testing.

In our new laboratories, highly qualified staff are dedicated to continuously improving products and developing applications as well as carrying out analyses to customer specification – always tailored to the particular operating conditions.

In addition to the central facility at our headquarters there are further laboratories and mobile fluid laboratories in several HYDAC centres in Germany and overseas.



Just one example of the numerous filter testing procedures: Multipass test rig.



Oil analysis in the HYDAC laboratory at company headquarters.

NOTE

The information in this brochure relates to the operating conditions and applications described.

For applications or operating conditions not described, please contact the relevant technical department.

Subject to technical modifications.

HYDAC FILTERTECHNIK GMBH

Industriegebiet
D-66280 Sulzbach/Saar
Tel.: 0 68 97 / 509-01
Fax: 0 68 97 / 509-300
Internet: www.hydac.com
E-Mail: filter@hydac.com



Filter Clogging Indicators

1. TECHNICAL SPECIFICATIONS

1.1 GENERAL

HYDAC clogging indicators are designed to indicate visually and/or electrically when the filter elements must be cleaned or changed. The operational safety of a system and efficient utilisation of a filter element can only be guaranteed if clogging indicators are used.

Depending on the type of filter, vacuum, return line or differential pressure clogging indicators are used.

1.2 SEALS

NBR (= Perbunan) or V (= Viton)

1.3 INSTALLATION

Some users install filters without clogging indicators and prefer instead to replace or clean the elements according to a specified time schedule or according to a set number of operating hours. However, this involves some risk.

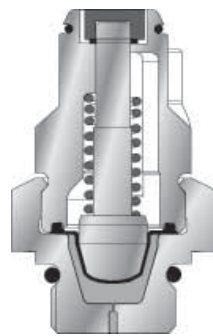
Fitting a clogging indicator has two main advantages:

- The operator no longer has to estimate when the element is clogged.
 - The unnecessary costs of changing the element too early are avoided.
- All standard filters can be fitted with a clogging indicator at any time, by simply screwing it in.

1.4 DESIGN

Return line indicators

These are used for return line and suction filters. In return line filters they react to the increasing static pressure before the filter element, and in suction filters to the decreasing pressure after the filter element, which is caused by increasing contamination.

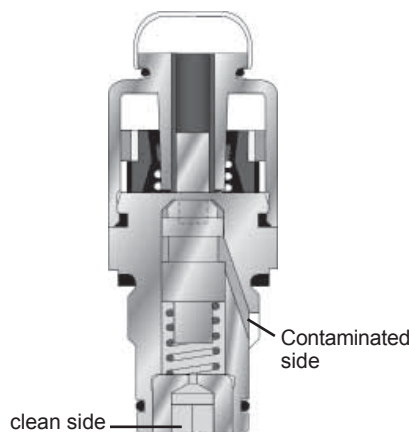


Differential pressure indicators

These are used for all inline filters and react to the increasing pressure differential caused by increasing contamination of the filter element.

The most simple installation of the differential clogging indicator: G 1/2" cavity (according to HYDAC works standard HN 28-22)

The differential pressure indicator type V02 is piped up separately.



1.4 SPECIAL INDICATORS

Mobile indicators

These indicators have been developed for special applications and are fitted with AMP, Deutsch and Junior Power Timer plugs.

ATEX indicators

These indicators are used in potentially explosive locations and are subject to the ATEX Equipment Directive 94/9/EC and the ATEX Operator Directive 1999/92/EC.



UL and CSA indicators

Indicators which are exported to the USA and Canada often require classification according to current UL and CSA standards. The UL and CSA symbols are found on many products, particularly in the field of electrical engineering.



1.6 TABLE OF CONTENTS

Contents	Page:
Quick selection table: by indicator type	64
Quick selection table: by filter type	65
Standard indicators	
Vacuum	66
Return line	69
Differential pressure	83
Indicator VL for Condition Monitoring	86
Mobile indicators	
Return line	91
Differential pressure	93
ATEX indicators	
Return line	96
Differential pressure	98
UL/CSA indicators	
Differential pressure	100
Return line	101
Model code - Standard	102
Adapters	104
DESINA Specification	106

2. QUICK SELECTION TABLES FOR CLOGGING INDICATORS

2.1 BY INDICATOR TYPE

Please select the type of indicator you require from the table.

Type		Vacuum indicator	Return line indicator	Differential pressure indicator
Visual	B		●	●
	BF			●
	BM			●
	E		●	
	ES		●	
	K	●		
	R		●	
	UBM	●		
	UE	●		
	UED	●		
	V			●
Electrical	C		●	●
	D		●	●
	F		●	
	LE		●	●
	LZ		●	●
	UF	●		
	VE			●
	VZ			●
Electronic	GC		●	●
	GW			●
Mobile	CD		●	●
	CJ		●	●
	CM		●	●
	FD		●	
	LEM		●	●
	M			●
ATEX	B		●	●
	C		●	●
UL Approval (= CRUUS)	C			●
	D			●
CSA Approval	C		●	

2.2 BY FILTER TYPE

Please select the clogging indicator required for your filter from the table.

Type	BF	BL	BLT	DF DFF	DFDK	DF MA/QE	DFM	DFN DFNF	DFP DFPF	DFZ	ELF	FLN	FLND FMND	HDF HDFD	HDP	HFM	LF LFF	LFM	LFN LFNF
B				•	•	•	•	•				•	•	•		•	•	•	•
BF																			
BM				•	•	•	•	•	•	•		•	•	•		•	•	•	•
E																			
ES																			
K	•	•	•								•								
R																			
UBM	•	•	•								•								
UE												• ¹⁾					• ¹⁾		
UED														•					
V																			
C				•	•	•	•	•	•	•		•	•	•		•	•	•	•
D				•	•	•	•	•	•	•		•	•	•		•	•	•	•
F																			
LE				•	•	•	•	•	•	•		•	•	•		•	•	•	•
LZ				•	•	•	•	•	•	•		•	•	•		•	•	•	•
UF												• ¹⁾					• ¹⁾		
VE																			
VZ																			
GC				•	•	•	•	•	•	•		•	•	•		•	•	•	•
GW																			
CD				•	•	•	•	•	•	•		•	•	•		•	•	•	•
CJ				•	•	•	•	•	•	•		•	•	•		•	•	•	•
CM												•	•				•	•	•
FD																			
M												•	•				•	•	•
LEM				•	•	•	•	•	•	•		•	•	•		•	•	•	•


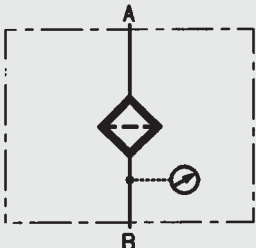
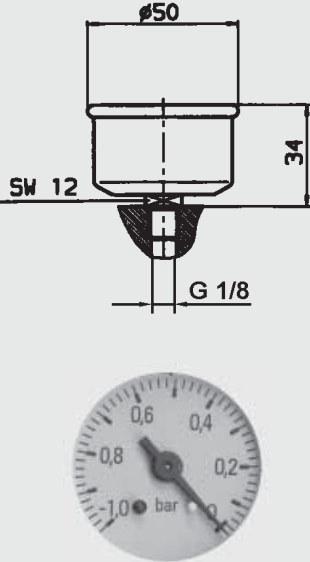
Type	LPF	MDF	MF	MFD	MFM	MFX	NF	NFD	RF	RFD	RFL	RFLD	RFN	RFND	RFM	RKM	SF	SFF	SFM
B	•	•			•	•			•	•	•	•	•	•	•	•			
BF	•					•													
BM	•	•			•	•	•	•			•	•							
E			• ²⁾	• ²⁾					•	•			•	•	•				
ES									•	•			•	•	•				
K																			
R																•			
UBM																			
UE	• ¹⁾		• ¹⁾	• ¹⁾							• ¹⁾					•	•	•	•
V											•	•							
C	•	•			•	•	•	•	•	•	•	•	•	•	•	•			
D	•	•			•	•	•	•	•	•	•	•	•	•	•	•			
F			•	•					•	•			•	•	•	•			
LE	•	•			•	•	•	•	•	•	•	•	•	•	•	•			
LZ	•	•			•	•	•	•	•	•	•	•	•	•	•	•			
UF	• ¹⁾		• ¹⁾	• ¹⁾							• ¹⁾					•	•	•	•
VE											•	•							
VZ											•	•							
GC	•	•			•		•	•	•	•	•	•	•	•	•	•			
GW	•						•	•			•	•							
CD	•	•			•		•	•	•	•	•	•	•	•	•	•			
CJ	•	•			•		•	•	•	•	•	•	•	•	•	•			
CM	•					•	•	•	•	•	•	•	•	•	•	•			
FD			•	•					•	•			•	•	•	•			
M	•					•													
LEM	•	•			•	•	•	•	•	•	•	•	•	•	•	•			

¹⁾ Can only be used for suction operation ²⁾ Use VMF 16 E.0 only


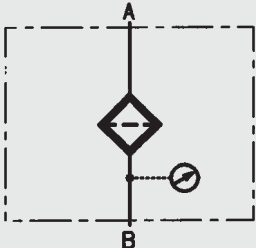
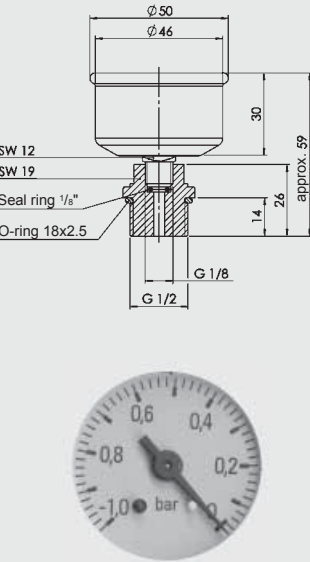
3. SPECIFICATIONS

3.1 VACUUM INDICATORS


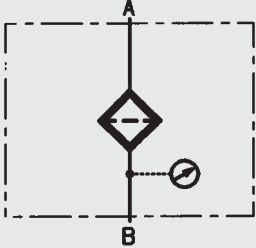
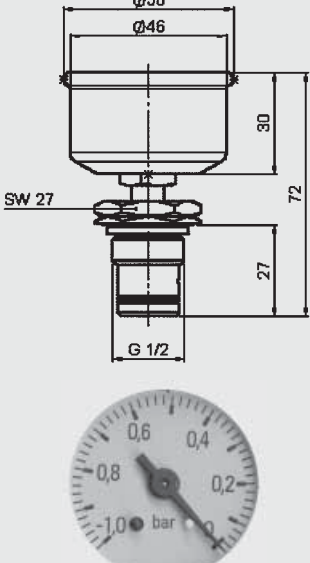
VMF x UE.x

 	Type of indication	visual-analogue, scale indication	
	Weight	100 g	
	Setting pressure or indication range	-1 bar to 0 bar	
	Permitt. operating pressure	-0.7 to 0 bar continuous	
	Permitt. temperature range	-20 °C to +60 °C	
	Thread	G 1/8	
	Max. torque	15 Nm	
	Switching type	-	
	Max. switching voltage	-	
	Electrical connection	-	
	Max. switching voltage at resistive load	-	
	Switching capacity	-	
	Protection class to DIN 40050	-	
Order example	VMF 1 UE.0		


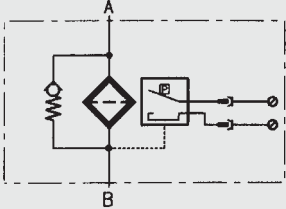
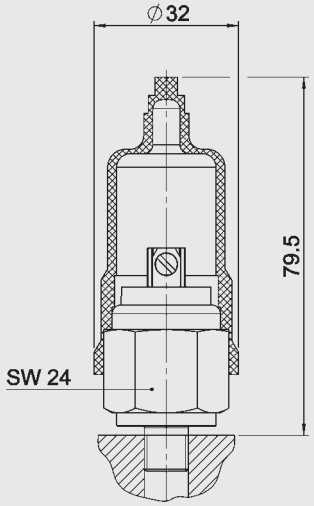
VR x UE.x

 	Type of indication	visual-analogue, scale indication	
	Weight	100 g	
	Pressure setting or indication range	-1 bar to 0 bar	
	Permitt. operating pressure	-0.7 to 0 bar continuous	
	Permitt. temperature range	-20 °C to +60 °C	
	Thread	G 1/2	
	Max. torque	30 Nm	
	Switching type	-	
	Max. switching voltage	-	
	Electrical connection	-	
	Max. switching voltage at resistive load	-	
	Switching capacity	-	
	Protection class to DIN 40050	-	
Order example	VR 1 UE.0		


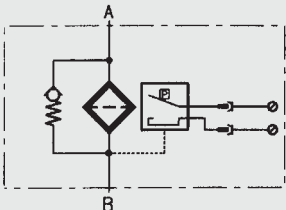
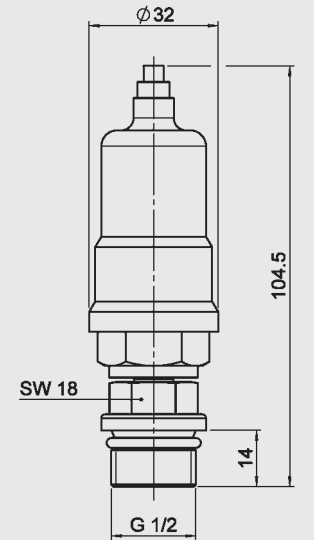
VRD x UE.x

 	Type of indication	visual-analogue, scale indication	
	Weight	145 g	
	Pressure setting or indication range	-1 bar to 0 bar	
	Permitt. operating pressure	-0.7 to 0 bar continuous	
	Permitt. temperature range	-20 °C to +60 °C	
	Thread	G 1/2	
	Max. torque	33 Nm	
	Switching type	-	
	Max. switching voltage	-	
	Electrical connection	-	
	Max. switching voltage at resistive load	-	
	Switching capacity	-	
	Protection class to DIN 40050	-	
Order example	VRD 1 UE.0		


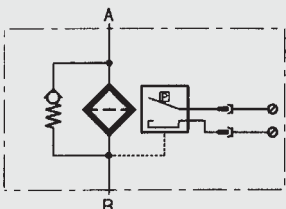
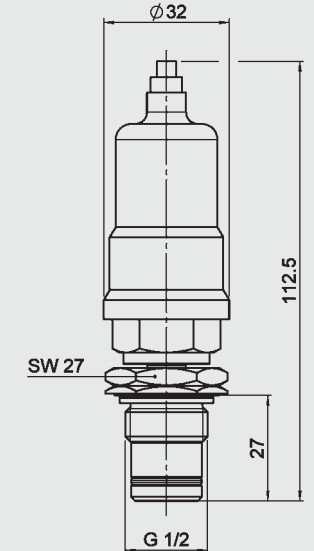
VMF x UF.x

 	Type of indication	electrical switch	
	Weight	170 g	
	Pressure setting or indication range	-0.2 bar ± 0.1 bar	
	Permitt. operating pressure	20 bar	
	Permitt. temperature range	-30 °C to +100 °C	
	Thread	G 1/8	
	Max. torque	15 Nm	
	Switching type	N/O contact	
	Max. switching voltage	48 V	
	Electrical connection	threaded connection	
	Max. switching voltage at resistive load	60 W = 100 VA ~	
	Switching capacity	ohmic 2.5 A at 24 V = ohmic 2.5 A at 42 V ~	
	Protection class to DIN 40050	IP 65, terminals IP 00	
Order example	VMF 0.2 UF.0		


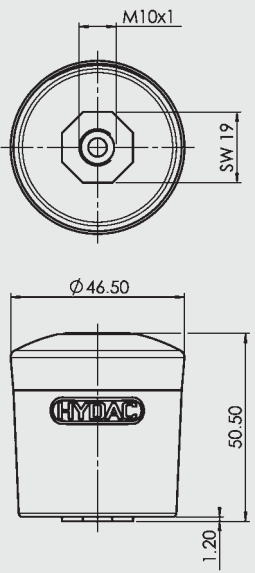
VR x UF.x

 	Type of indication	electrical switch	
	Weight	170 g	
	Pressure setting or indication range	-0.2 bar ± 0.1 bar	
	Permitt. operating pressure	20 bar	
	Permitt. temperature range	-30 °C to +100 °C	
	Thread	G 1/2	
	Max. torque	30 Nm	
	Switching type	N/O contact	
	Max. switching voltage	48 V	
	Electrical connection	threaded connection	
	Max. switching voltage at resistive load	60 W = 100 VA ~	
	Switching capacity	ohmic 2.5 A at 24 V = ohmic 2.5 A at 42 V ~	
	Protection class to DIN 40050	IP 65, terminals IP 00	
Order example	VR 0.2 UF.0		


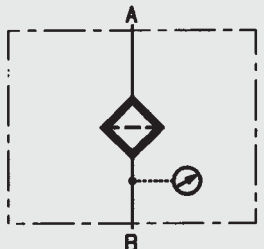
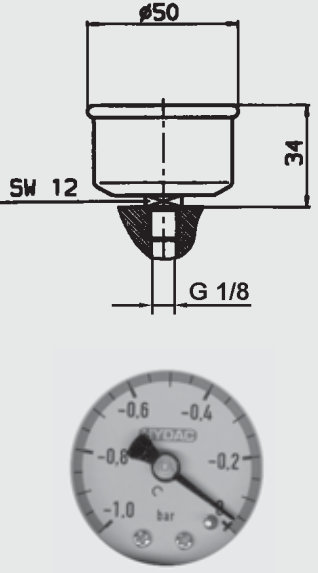
VRD x UF.x

 	Type of indication	electrical switch	
	Weight	170 g	
	Pressure setting or indication range	-0.2 bar ± 0.1 bar	
	Permitt. operating pressure	20 bar	
	Permitt. temperature range	-30 °C to +100 °C	
	Thread	G 1/2	
	Max. torque	33 Nm	
	Switching type	N/O contact	
	Max. switching voltage	48 V	
	Electrical connection	threaded connection	
	Max. switching voltage at resistive load	60 W = 100 VA ~	
	Switching capacity	ohmic 2.5 A at 24 V = ohmic 2.5 A at 42 V ~	
	Protection class to DIN 40050	IP 65, terminals IP 00	
Order example	VRD 0.2 UF.0		

VMF x UBM.x

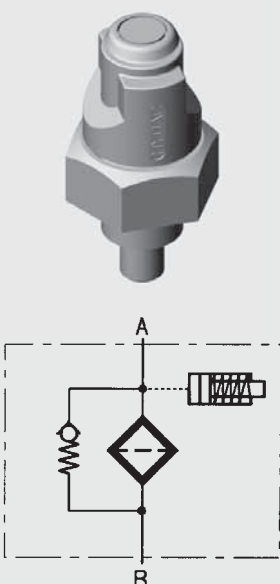
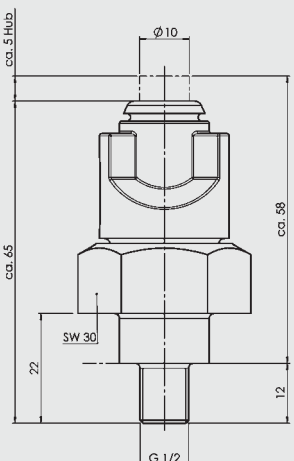
	Type of indication	visual, yellow pin	
	Weight	0.05 g	
	Pressure setting or indication range	-0.035 bar	
	Permitt. operating pressure	1 bar	
	Permitt. temperature range	-30 °C to +100 °C	
	Thread	M10 x 1	
	Max. torque	15 Nm	
	Switching type	-	
	Max. switching voltage	-	
	Electrical connection	-	
	Max. switching voltage at resistive load	-	
	Switching capacity	-	
	Protection class to DIN 40050	-	
	Order example	VMF 0.035 UBM.0	

VMF x UED.x

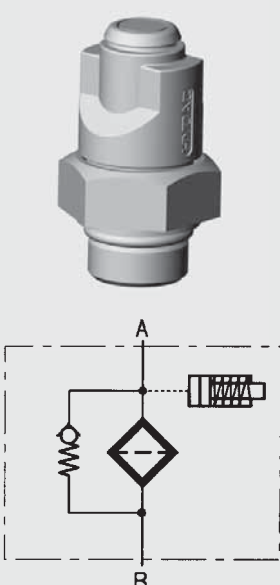
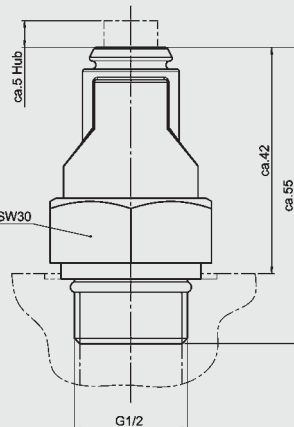
 	Type of indication	visual-analogue, scale indication (filled with silicone oil)	
	Weight	100 g	
	Pressure setting or indication range	-1 bar to 0 bar	
	Permitt. operating pressure	-0.7 to 0 bar continuous	
	Permitt. temperature range	-20 °C to +90 °C	
	Thread	G 1/8	
	Max. torque value	15 Nm	
	Switching type	-	
	Max. switching voltage	-	
	Electrical connection	-	
	Max. switching voltage at resistive load	-	
	Switching capacity	-	
	Protection class to DIN 40050	-	
	Order example	VMF 1 UED.0	

3.2 RETURN LINE INDICATORS

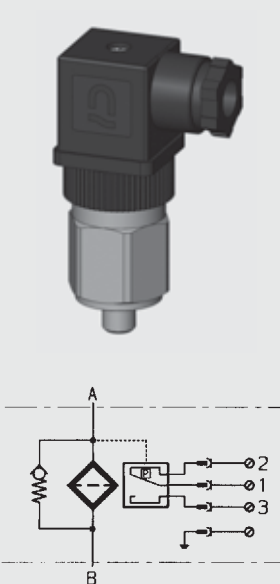
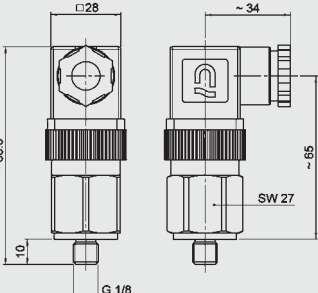
VMF x B.x

	Type of indication	visual, red pin	
	Weight	84 g	
	Pressure setting or indication range	2 bar - 0.2 bar	
	Permitt. operating pressure	7 bar	
	Permitt. temperature range	-30 °C to +100 °C	
	Thread	G 1/8	
	Max. torque	15 Nm	
	Switching type	-	
	Max. switching voltage	-	
	Electrical connection	-	
	Max. switching voltage at resistive load	-	
	Switching capacity	-	
	Protection class to DIN 40050	-	
	Order example	VMF 2 B.1	

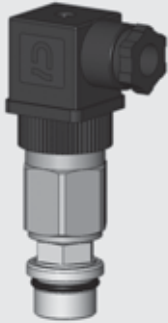
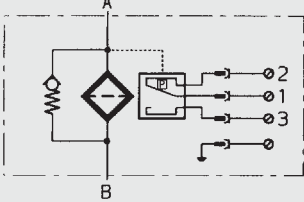
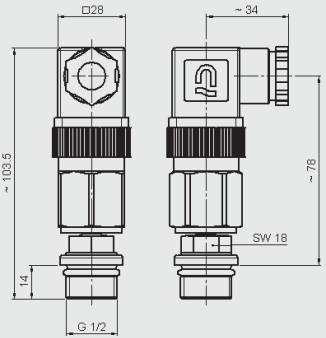
VR x B.x

	Type of indication	visual, red pin	
	Weight	44 g	
	Pressure setting or indication range	2 bar - 0.2 bar	
	Permitt. operating pressure	7 bar	
	Permitt. temperature range	-30 °C to +100 °C	
	Thread	G 1/2	
	Max. torque	15 Nm	
	Switching type	-	
	Max. switching voltage	-	
	Electrical connection	-	
	Max. switching voltage at resistive load	-	
	Switching capacity	-	
	Protection class to DIN 40050	-	
	Order example	VR 2 B.1	

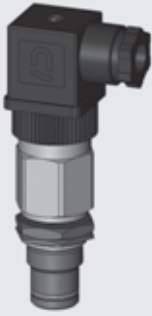
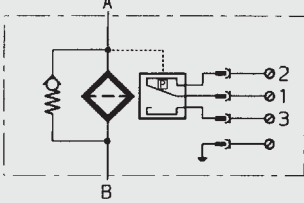
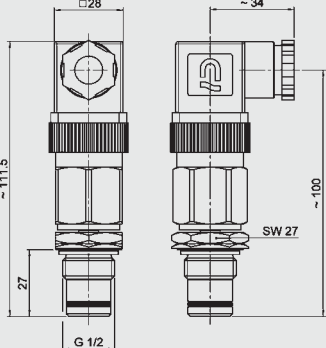
VMF x C.x

	Type of indication	electrical switch	
	Weight	270 g	
	Pressure setting or indication range	2 bar - 0.3 bar	
	Permitt. operating pressure	40 bar	
	Permitt. temperature range	-30 °C to +100 °C	
	Thread	G 1/8	
	Max. torque	15 Nm	
	Switching type	N/C or N/O (change-over contacts)	
	Max. switching voltage	230 V	
	Electrical connection	Male connection M20 Female connector to DIN 43650	
	Max. switching voltage at resistive load	250 W = 300 VA ~	
	Switching capacity	Ohmic 6 A at 24 V = Ohmic 0.03 to 6 A at max. 230 V ~	
	Protection class to DIN 40050	IP 65 (only if the connector is wired and fitted correctly)	
	Order example	VMF 2 C.1	

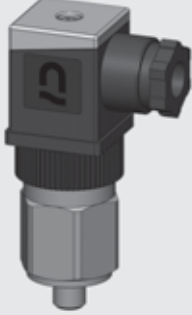
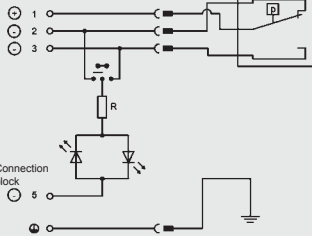
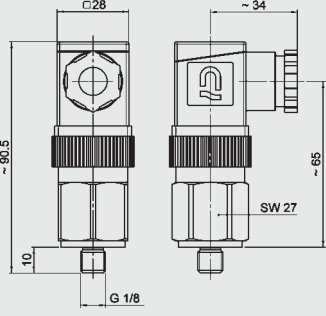
VR x C.x

 	Type of indication	electrical switch	
	Weight	340 g	
	Pressure setting or indication range	2 bar - 0.3 bar	
	Permitt. operating pressure	40 bar	
	Permitt. temperature range	-30 °C to +100 °C	
	Thread	G 1/2	
	Max. torque	30 Nm	
	Switching type	N/C or N/O (change-over contacts)	
	Max. switching voltage	230 V	
	Electrical connection	Male connection M20 Female connector to DIN 43650	
	Max. switching voltage at resistive load	250 W = 300 VA ~	
	Switching capacity	ohmic 6 A at 24 V ohmic 0.03 to 6 A at max. 230 V ~	
	Protection class to DIN 40050	IP 65 (only if the connector is wired and fitted correctly)	
Order example	VR 2 C.1		

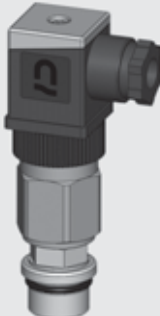
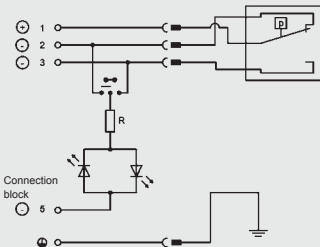
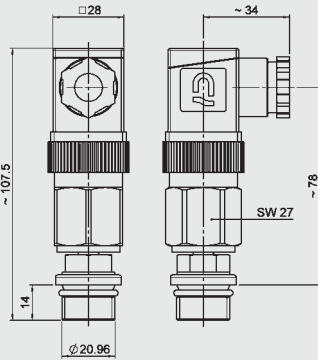
VRD x C.x

 	Type of indication	electrical switch	
	Weight	340 g	
	Pressure setting or indication range	2 bar - 0.3 bar	
	Permitt. operating pressure	40 bar	
	Permitt. temperature range	-30 °C to +100 °C	
	Thread	G 1/2	
	Max. torque	33 Nm	
	Switching type	N/C or N/O (change-over contacts)	
	Max. switching voltage	230 V	
	Electrical connection	Male connection M20 Female connector to DIN 43650	
	Max. switching voltage at resistive load	250 W = 300 VA ~	
	Switching capacity	ohmic 6 A at 24 V ohmic 0.03 to 6 A at max. 230 V ~	
	Protection class to DIN 40050	IP 65 (only if the connector is wired and fitted correctly)	
Order example	VRD 2 C.1		

VMF x D.x /-L...

 	Type of indication	visual indicator and electrical switch	
	Weight	300 g	
	Pressure setting or indication range	2 bar - 0.3 bar	
	Permitt. operating pressure	40 bar	
	Permitt. temperature range	-30 °C to +100 °C	
	Thread	G 1/8	
	Max. torque value	15 Nm	
	Switching type	N/C or N/O (change-over contacts)	
	Max. switching voltage	24, 48, 110, 230 V (depending on the type of light insert)	
	Electrical connection	Male connection M20 Female connector to DIN 43650	
	Max. switching voltage at resistive load	250 W = 300 VA ~	
	Switching capacity	Ohmic 6 A at 230 V = Ohmic 0.03 to 6 A at max. 230 V ~	
	Protection class to DIN 40050	IP 65 (only if the connector is wired and fitted correctly)	
Order example	VMF 2 D.1 /-L24		

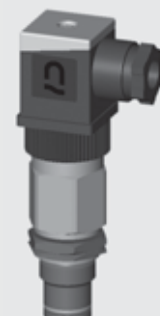
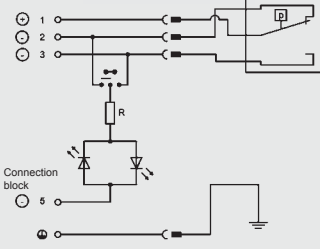
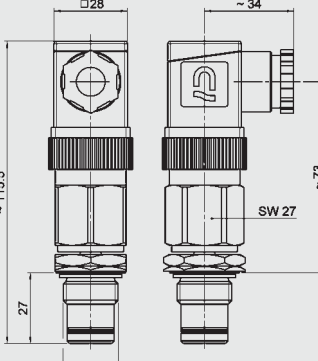
VR x D.x /-L...

 	Type of indication	visual indicator and electrical switch	
	Weight	360 g	
	Pressure setting or indication range	2 bar - 0.3 bar	
	Permitt. operating pressure	40 bar	
	Permitt. temperature range	-30 °C to +100 °C	
	Thread	G 1/2	
	Max. torque value	30 Nm	
	Switching type	N/C or N/O (change-over contacts)	
	Max. switching voltage	24, 48, 110, 230 V (depending on the type of light insert)	
	Electrical connection	Male connection M20 Female connector to DIN 43650	
	Max. switching voltage at resistive load	250 W = 300 VA ~	
	Switching capacity	Ohmic 6 A at 24 V = Ohmic 0.03 to 6 A at max. 230 V ~	

Protection class to DIN 40050 IP 65 (only if the connector is wired and fitted correctly)

Order example VR 2 D.1 /-L110


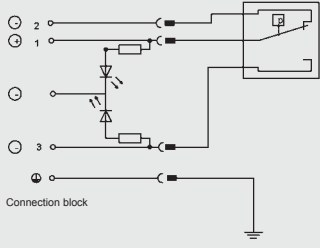
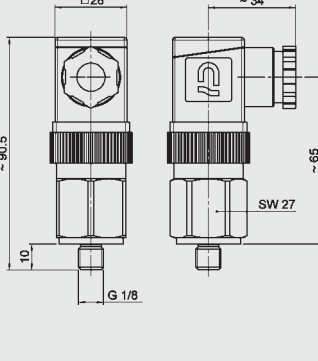
VRD x D.x /-L...

 	Type of indication	visual indicator and electrical switch	
	Weight	360 g	
	Pressure setting or indication range	2 bar - 0.3 bar	
	Permitt. operating pressure	40 bar	
	Permitt. temperature range	-30 °C to +100 °C	
	Thread	G 1/2	
	Max. torque value	33 Nm	
	Switching type	N/C or N/O (change-over contacts)	
	Max. switching voltage	24, 48, 110, 230 V (depending on the type of light insert)	
	Electrical connection	Male connection M20 Female connector to DIN 43650	
	Max. switching voltage at resistive load	250 W = 300 VA ~	
	Switching capacity	Ohmic 6 A at 24 V = Ohmic 0.03 to 6 A at max. 230 V ~	

Protection class to DIN 40050 IP 65 (only if the connector is wired and fitted correctly)

Order example VRD 2 D.1 /-L110

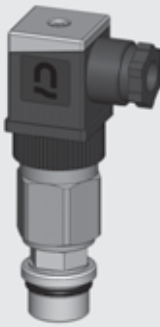
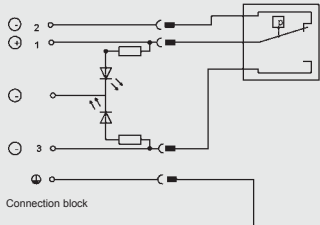
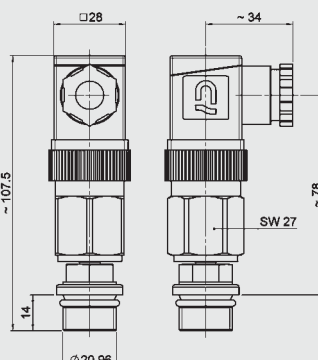
VMF x D.x /-LED

 	Type of indication	visual indicator and electrical switch	
	Weight	300 g	
	Pressure setting or indication range	2 bar - 0.3 bar	
	Permitt. operating pressure	40 bar	
	Permitt. temperature range	-30 °C to +100 °C	
	Thread	G 1/8	
	Max. torque value	15 Nm	
	Switching type	N/O contact	
	Max. switching voltage	24 V	
	Electrical connection	Male connection M20 Female connector to DIN 43650	
	Max. switching voltage at resistive load	250 W = 300 VA ~	
	Switching capacity	ohmic 6 A at 24 V =	


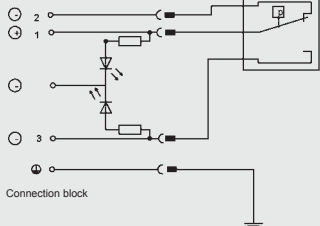
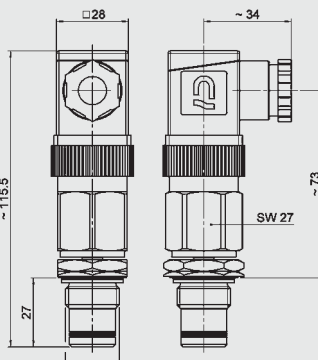
Protection class to DIN 40050 IP 65 (only if the connector is wired and fitted correctly)

Order example VMF 2 D.1 /-LED


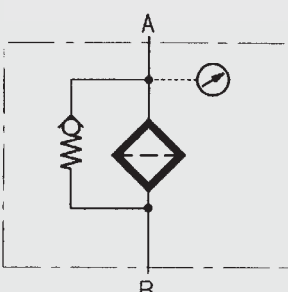
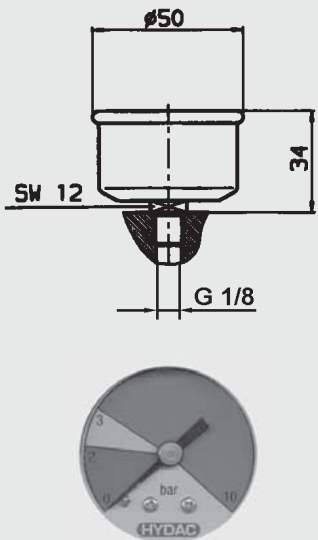
VR x D.x /-LED

 	Type of indication	visual indicator and electrical switch	
	Weight	360 g	
	Pressure setting or indication range	2 bar - 0.3 bar	
	Permitt. operating pressure	40 bar	
	Permitt. temperature range	-30 °C to +100 °C	
	Thread	G 1/8	
	Max. torque value	30 Nm	
	Switching type	N/O contact	
	Max. switching voltage	24 V	
	Electrical connection	Male connection M20 Female connector to DIN 43650	
	Max. switching voltage at resistive load	250 W = 300 VA ~	
	Switching capacity	ohmic 6 A at 24 V =	
	Protection class to DIN 40050	IP 65 (only if the connector is wired and fitted correctly)	
Order example	VR 2 D.1 /-LED		


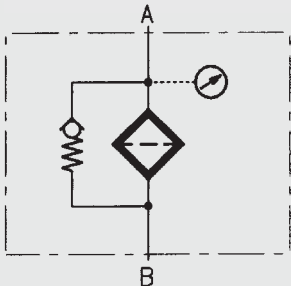
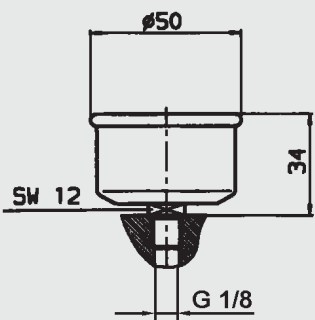

VRD x D.x /-LED

 	Type of indication	visual indicator and electrical switch	
	Weight	360 g	
	Pressure setting or indication range	2 bar - 0.3 bar	
	Permitt. operating pressure	40 bar	
	Permitt. temperature range	-30 °C to +100 °C	
	Thread	G 1/8	
	Max. torque value	33 Nm	
	Switching type	N/O contact	
	Max. switching voltage	24 V	
	Electrical connection	Male connection M20 Female connector to DIN 43650	
	Max. switching voltage at resistive load	250 W = 300 VA ~	
	Switching capacity	ohmic 6 A at 24 V =	
	Protection class to DIN 40050	IP 65 (only if the connector is wired and fitted correctly)	
Order example	VRD 2 D.1 /-LED		


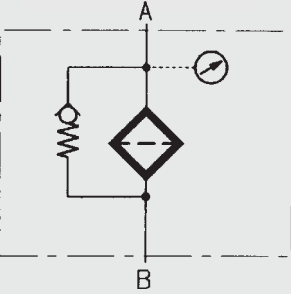
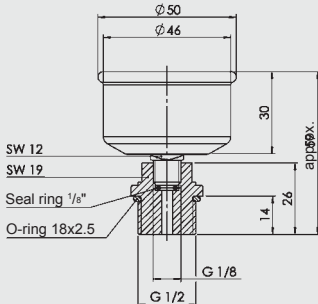

VMF x E.x

 	Type of indication	visual-analogue, scale indication	
	Weight	80 g	
	Pressure setting or indication range	0 bar to +10 bar	
	Permitt. operating pressure	7 bar continuous	
	Permitt. temperature range	-20 °C to +60 °C	
	Thread	G 1/8	
	Max. torque value	15 Nm	
	Switching type	-	
	Max. switching voltage	-	
	Electrical connection	-	
	Max. switching voltage at resistive load	-	
	Switching capacity	-	
	Protection class to DIN 40050	-	
Order example	VMF 2 E.0		


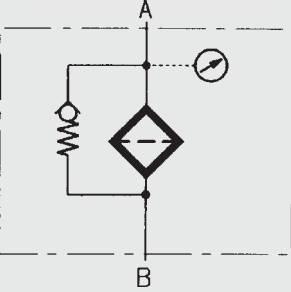
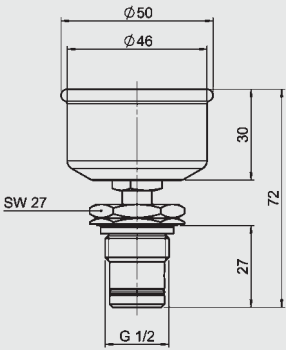

VMF 16 E.x

 	Type of indication	visual-analogue, scale indication	 
	Weight	80 g	
	Pressure setting or indication range	0 bar to +16 bar	
	Permitt. operating pressure	11 bar continuous	
	Permitt. temperature range	-20 °C to +60 °C	
	Thread	G 1/8	
	Max. torque value	15 Nm	
	Switching type	-	
	Max. switching voltage	-	
	Electrical connection	-	
	Max. switching voltage at resistive load	-	
	Switching capacity	-	
	Protection class to DIN 40050	-	
Order example	VMF 16 E.0		


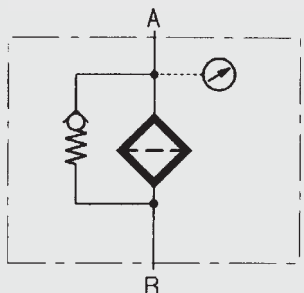
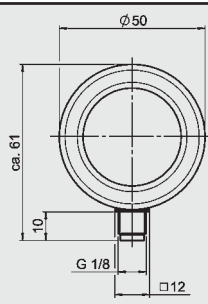
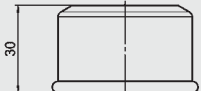

VR x E.x

 	Type of indication	visual-analogue, scale indication	 
	Weight	140 g	
	Pressure setting or indication range	0 bar to +10 bar	
	Permitt. operating pressure	7 bar continuous	
	Permitt. temperature range	-20 °C to +60 °C	
	Thread	G 1/2	
	Max. torque value	30 Nm	
	Switching type	-	
	Max. switching voltage	-	
	Electrical connection	-	
	Max. switching voltage at resistive load	-	
	Switching capacity	-	
	Protection class to DIN 40050	-	
Order example	VR 2 E.0		


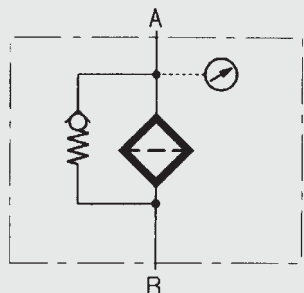
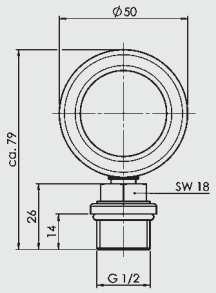


VRD x E.x

 	Type of indication	visual-analogue, scale indication	 
	Weight	140 g	
	Pressure setting or indication range	0 bar to +10 bar	
	Permitt. operating pressure	7 bar continuous	
	Permitt. temperature range	-20 °C to +60 °C	
	Thread	G 1/2	
	Max. torque value	33 Nm	
	Switching type	-	
	Max. switching voltage	-	
	Electrical connection	-	
	Max. switching voltage at resistive load	-	
	Switching capacity	-	
	Protection class to DIN 40050	-	
Order example	VRD 2 E.0		


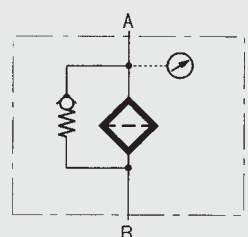
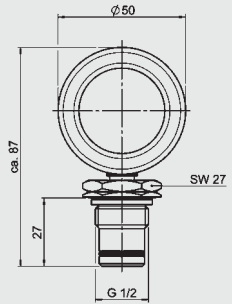
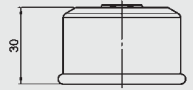

VMF x ES.x

 	Type of indication	visual-analogue, scale indication	  
	Weight	100 g	
	Pressure setting or indication range	0 bar to +10 bar	
	Permitt. operating pressure	7 bar continuous	
	Permitt. temperature range	-20 °C to +60 °C	
	Thread	G 1/8	
	Max. torque value	15 Nm	
	Switching type	-	
	Max. switching voltage	-	
	Electrical connection	-	
	Max. switching voltage at resistive load	-	
	Switching capacity	-	
	Protection class to DIN 40050	-	
Order example	VMF 2 ES.0		


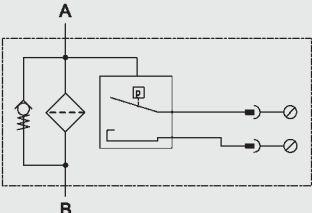
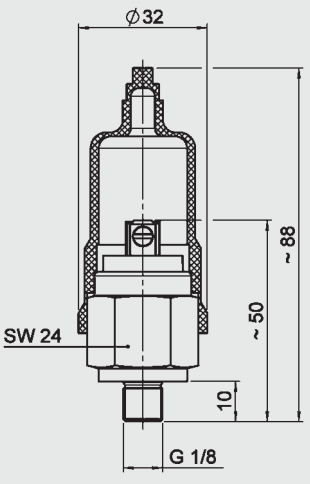
VR x ES.x

 	Type of indication	visual-analogue, scale indication	  
	Weight	120 g	
	Pressure setting or indication range	0 bar to +10 bar	
	Permitt. operating pressure	7 bar continuous	
	Permitt. temperature range	-20 °C to +60 °C	
	Thread	G 1/2	
	Max. torque value	30 Nm	
	Switching type	-	
	Max. switching voltage	-	
	Electrical connection	-	
	Max. switching voltage at resistive load	-	
	Switching capacity	-	
	Protection class to DIN 40050	-	
Order example	VR 2 ES.0		


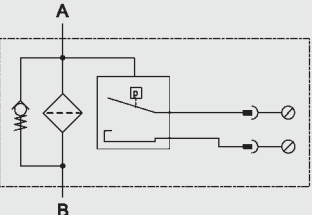
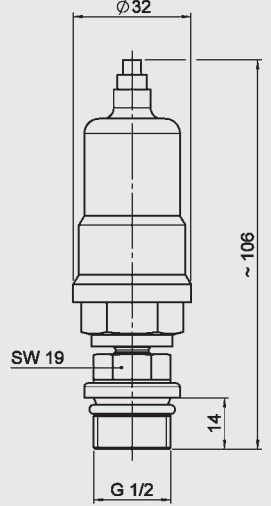
VRD x ES.x

 	Type of indication	visual-analogue, scale indication	  
	Weight	120 g	
	Pressure setting or indication range	0 bar to +10 bar	
	Permitt. operating pressure	7 bar continuous	
	Permitt. temperature range	-20 °C to +60 °C	
	Thread	G 1/2	
	Max. torque value	33 Nm	
	Switching type	-	
	Max. switching voltage	-	
	Electrical connection	-	
	Max. switching voltage at resistive load	-	
	Switching capacity	-	
	Protection class to DIN 40050	-	
Order example	VRD 2 ES.0		


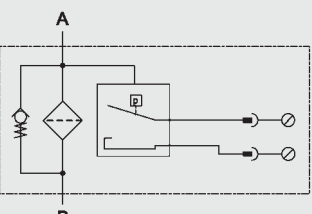
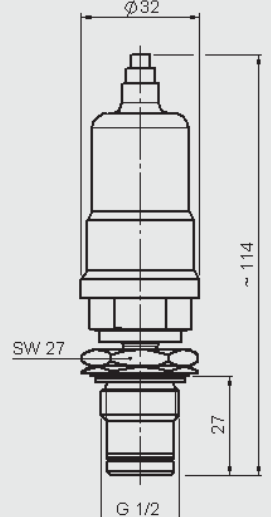
VMF x F.x

 	Type of indication	electrical switch	
	Weight	70 g	
	Pressure setting or indication range	2 bar ± 0.4 bar	
	Permitt. operating pressure	40 bar	
	Permitt. temperature range	-30 °C to +100 °C	
	Thread	G 1/8	
	Max. torque value	15 Nm	
	Switching type	N/O contact (N/C as an option)	
	Max. switching voltage	42 V	
	Electrical connection	threaded connection	
	Max. switching voltage at resistive load	60 W = 100 VA ~	
	Switching capacity	Ohmic 2.5 A at 24 V = Ohmic 2.5 A at 42 V ~	
	Protection class to DIN 40050	IP 65, terminals IP 00	
Order example	VMF 2 F.0		


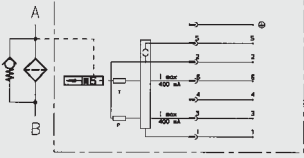
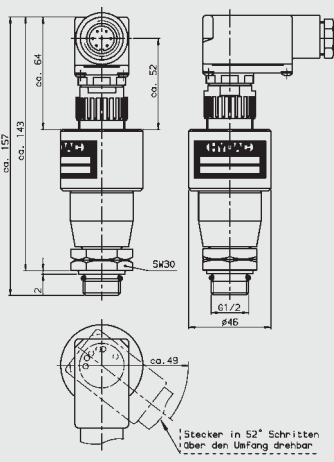
VR x F.x

 	Type of indication	electrical switch	
	Weight	130 g	
	Pressure setting or indication range	2 bar ± 0.4 bar	
	Permitt. operating pressure	40 bar	
	Permitt. temperature range	-30 °C to +100 °C	
	Thread	G 1/2	
	Max. torque value	30 Nm	
	Switching type	N/O contact (N/C as an option)	
	Max. switching voltage	42 V	
	Electrical connection	threaded connection	
	Max. switching voltage at resistive load	60 W = 100 VA ~	
	Switching capacity	Ohmic 2.5 A at 24 V = Ohmic 2.5 A at 42 V ~	
	Protection class to DIN 40050	IP 65, terminals IP 00	
Order example	VR 2 F.0		

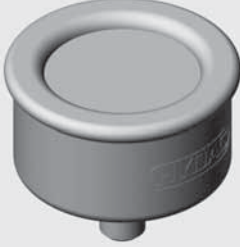
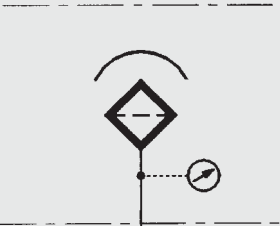
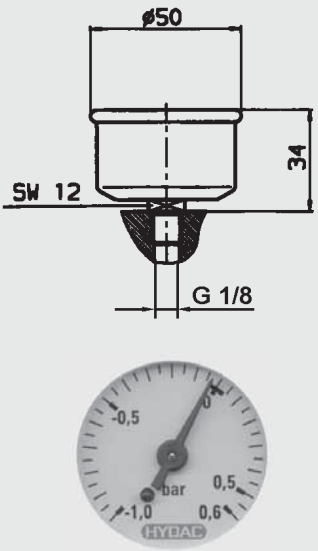
VRD x F.x

 	Type of indication	electrical switch	
	Weight	130 g	
	Pressure setting or indication range	2 bar ± 0.4 bar	
	Permitt. operating pressure	40 bar	
	Permitt. temperature range	-30 °C to +100 °C	
	Thread	G 1/2	
	Max. torque value	33 Nm	
	Switching type	N/O contact (N/C as an option)	
	Max. switching voltage	42 V	
	Electrical connection	threaded connection	
	Max. switching voltage at resistive load	60 W = 100 VA ~	
	Switching capacity	Ohmic 2.5 A at 24 V = Ohmic 2.5 A at 42 V ~	
	Protection class to DIN 40050	IP 65, terminals IP 00	
Order example	VRD 2 F.0		

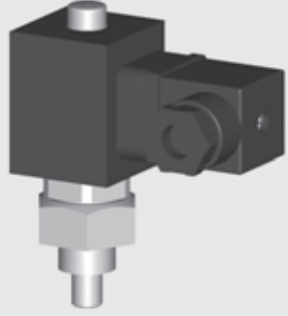
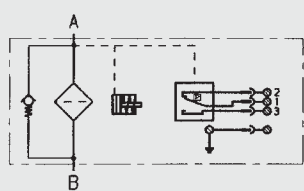
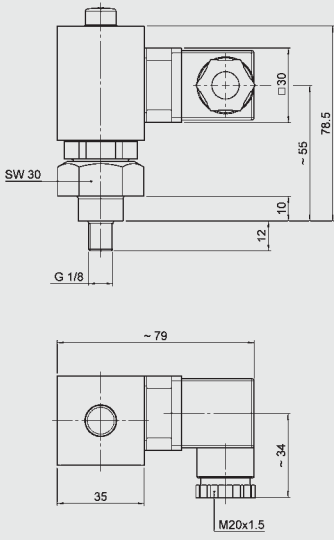
VR x GC.x

 	Type of indication	Electronic/analogue (4-20 mA or 1-10 V) 1 electrical switching contact at 75% and at 100% of the pressure setting Analogue signal up to 20% of the pressure setting constant 4mA or 1 V	
	Weight	340 g	
	Pressure setting or indication range	2 bar -10%	
	Permitt. operating pressure	7 bar	
	Permitt. temperature range	-30 °C to +80 °C	
	Thread	G 1/2	
	Max. torque value	15 Nm	
	Switching type	N/C or N/O, electronic PNP positive switching (factory setting)	
	Max. switching voltage	Operating voltage 20-30 V DC	
	Electrical connection	7 pole plug to DIN 43651; PG 11	
	Max. switching voltage at resistive load	12 W	
	Switching capacity	ohmic 0.4 A at 30 V =	
	Protection class to DIN 40050	IP 65 (only if the connector is wired and fitted correctly)	
	Order example	VR 2 GC.0 /-LED-SQ-123	

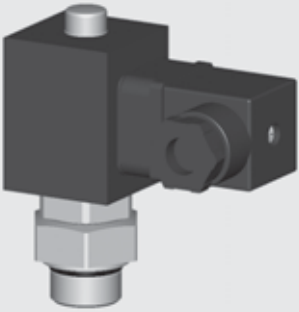
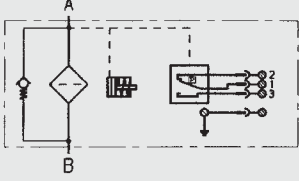
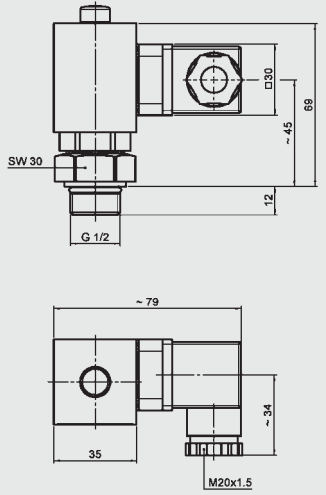
VMF x K.x

 	Type of indication	visual-analogue, scale indication	
	Weight	100 g	
	Pressure setting or indication range	-1 bar to 0.6 bar	
	Permitt. operating pressure	-0.7 to +0.4 bar continuous	
	Permitt. temperature range	-20 °C to +60 °C	
	Thread	G 1/8	
	Max. torque value	15 Nm	
	Switching type	-	
	Max. switching voltage	-	
	Electrical connection	-	
	Max. switching voltage at resistive load	-	
Switching capacity	-		
Protection class to DIN 40050	-		
Order example	VMF 0.6 K.0		

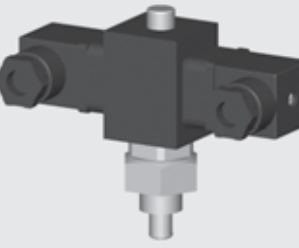
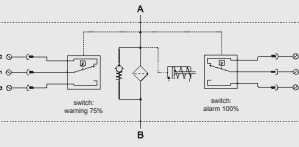
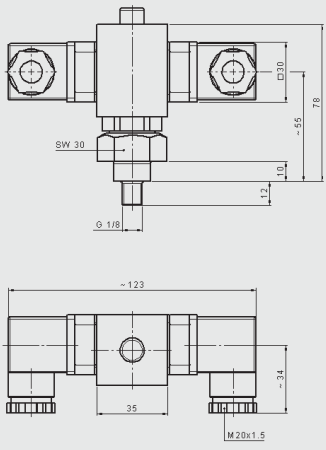
VMF x LE.x

 	Type of indication	Visual, red pin and electrical pin switch 1 switching contact 100% of the pressure setting	
	Weight	120 g	
	Pressure setting or indication range	2 bar - 0.2 bar	
	Permitt. operating pressure	7 bar	
	Permitt. temperature range	-30 °C to +100 °C	
	Thread	G 1/8	
	Max. torque value	15 Nm	
	Switching type	N/C or N/O contacts Reed contacts (change-over contacts)	
	Max. switching voltage	115 V	
	Electrical connection	Male connection M20 Female connector to DIN 43650	
	Max. switching voltage at resistive load	15 W = max. 15 VA ~	
	Switching capacity	Ohmic 1 A at 15 V = Ohmic 1 A at 15 V ~	
	Protection class to DIN 40050	IP 65 (only if the connector is wired and fitted correctly)	
	Order example	VMF 2 LE.1	

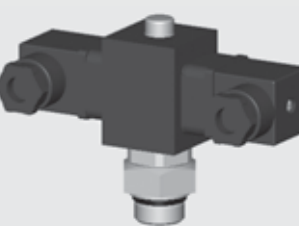
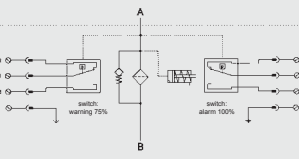
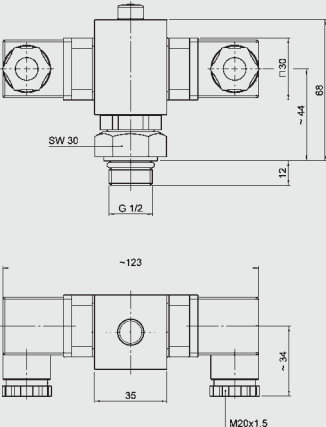
VR x LE.x

 	Type of indication	Visual, red pin and electrical switch 1 switching contact 100% of the pressure setting	
	Weight	143 g	
	Pressure setting or indication range	2 bar - 0.2 bar	
	Permitt. operating pressure	7 bar	
	Permitt. temperature range	-30 °C to +100 °C	
	Thread	G 1/2	
	Max. torque value	15 Nm	
	Switching type	N/C or N/O contacts Reed contacts (change-over contacts)	
	Max. switching voltage	115 V	
	Electrical connection	Male connection M20 Female connector to DIN 43650	
	Max. switching voltage at resistive load	15 W = max. 15 VA ~	
	Switching capacity	Ohmic 1 A at 15 V = Ohmic 1 A at 15 V ~	
	Protection class to DIN 40050	IP 65 (only if the connector is wired and fitted correctly)	
Order example	VR 2 LE.1		

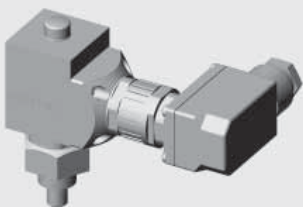
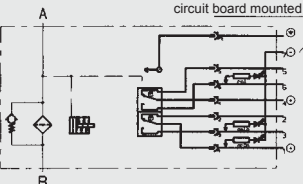
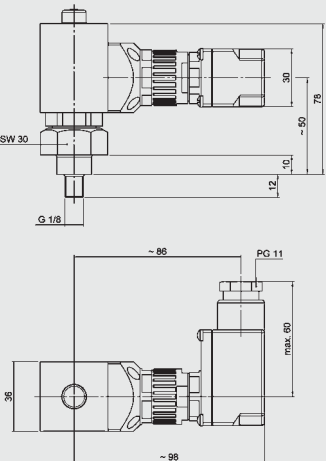
VMF x LZ.x

 	Type of indication	Visual, red pin and 1 electrical switching contact at 75% and at 100% of the pressure setting	
	Weight	230 g	
	Pressure setting or indication range	2 bar - 0.2 bar	
	Permitt. operating pressure	7 bar	
	Permitt. temperature range	-10 °C to +100 °C	
	Thread	G 1/8	
	Max. torque value	15 Nm	
	Switching type	N/C or N/O contacts Reed contacts (change-over contacts)	
	Max. switching voltage	115 V	
	Electrical connection	Male connection M20 Female connector to DIN 43650	
	Max. switching voltage at resistive load	15 W = max. 15 VA ~	
	Switching capacity	ohmic 1 A at 15 V = ohmic 1 A at 15 V ~	
	Protection class to DIN 40050	IP 65 (only if the connector is wired and fitted correctly)	
Order example	VMF 2 LZ.1		

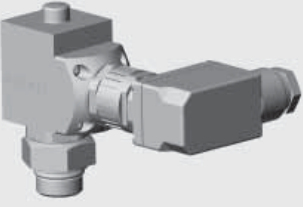
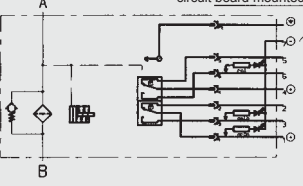
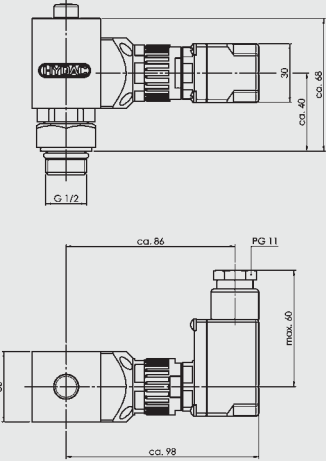
VR x LZ.x

 	Type of indication	Visual, red pin and 1 electrical switching contact at 75% and at 100% of the pressure setting	
	Weight	190 g	
	Pressure setting or indication range	2 bar - 0.2 bar	
	Permitt. operating pressure	7 bar	
	Permitt. temperature range	-10 °C to +100 °C	
	Thread	G 1/2	
	Max. torque value	15 Nm	
	Switching type	N/C or N/O contacts Reed contacts (change-over contacts)	
	Max. switching voltage	115 V	
	Electrical connection	Male connection M20 Female connector to DIN 43650	
	Max. switching voltage at resistive load	15 W = max. 15 VA ~	
	Switching capacity	ohmic 1 A at 15 V = ohmic 1 A at 15 V ~	
	Protection class to DIN 40050	IP 65 (only if the connector is wired and fitted correctly)	
Order example	VR 2 LZ.1		

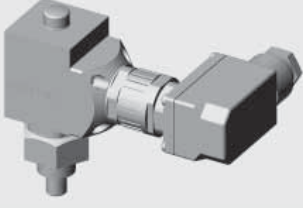
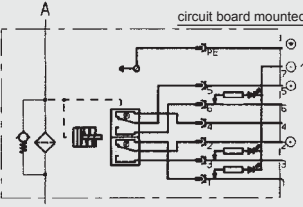
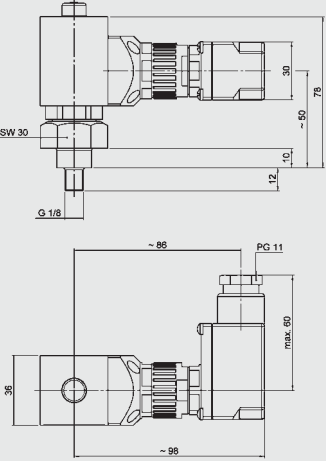
VMF x LZ.x /-DB

 	Type of indication	visual, red pin and 1 electrical switching contact at 75% and at 100% of the pressure setting 1 green LED constantly lit 1 yellow LED lights from 75% 1 red LED lights from 100% Δp	
	Weight	170 g	
	Pressure setting or indication range	2 bar - 0.2 bar	
	Permitt. operating pressure	7 bar	
	Permitt. temperature range	-30 °C to +100 °C	
	Thread	G 1/8	
	Max. torque value	15 Nm	
	Switching type	N/C or N/O contacts Reed contacts (change-over contacts)	
	Max. switching voltage	24 V	
	Electrical connection	Male connection PG 11 Female connector to DIN 43651	
	Max. switching voltage at resistive load	15 W = max. 15 VA ~	
	Switching capacity	Ohmic 1 A at 15 V = Ohmic 1 A at 15 V ~	
	Protection class to DIN 40050	IP 65 (only if the connector is wired and fitted correctly)	
	Order example	VMF 2 LZ.1 /-DB	

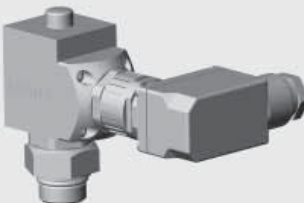
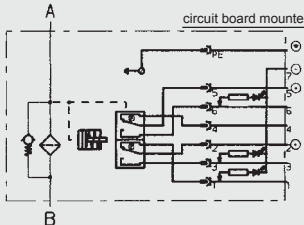
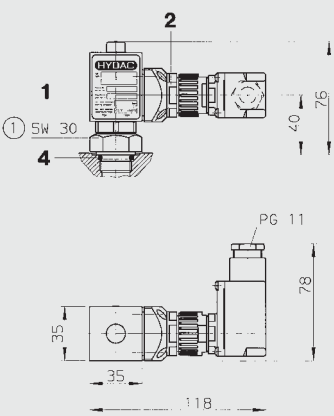
VR x LZ.x /-DB

 	Type of indication	visual, red pin and 1 electrical switching contact at 75% and at 100% of the pressure setting 1 green LED constantly lit 1 yellow LED lights from 75% 1 red LED lights from 100% Δp	
	Weight	190 g	
	Pressure setting or indication range	2 bar - 0.2 bar	
	Permitt. operating pressure	7 bar	
	Permitt. temperature range	-30 °C to +100 °C	
	Thread	G 1/2	
	Max. torque value	15 Nm	
	Switching type	N/C or N/O contacts Reed contacts (change-over contacts)	
	Max. switching voltage	24 V	
	Electrical connection	Male connection PG 11 Female connector to DIN 43651	
	Max. switching voltage at resistive load	15 W = max. 15 VA ~	
	Switching capacity	Ohmic 1 A at 15 V = Ohmic 1 A at 15 V ~	
	Protection class to DIN 40050	IP 65 (only if the connector is wired and fitted correctly)	
	Order example	VR 2 LZ.1 /-DB	

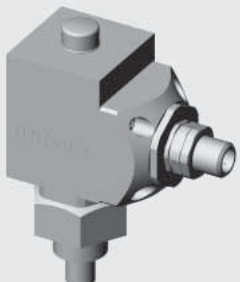
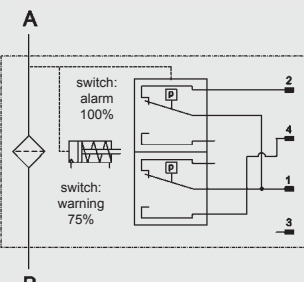
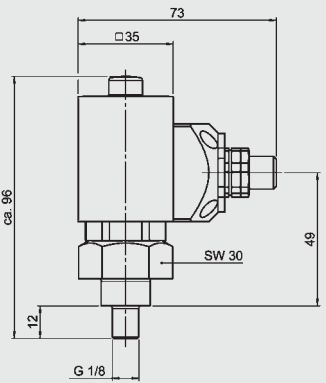
VMF x LZ.x /-CN

 	Type of indication	visual, red pin and 1 electrical switching contact at 75% and at 100% of the pressure setting 1 green LED goes out at 75% 1 yellow LED lights from 75% 1 red LED lights from 100% Δp	
	Weight	170 g	
	Pressure setting or indication range	2 bar - 0.2 bar	
	Permitt. operating pressure	7 bar	
	Permitt. temperature range	-30 °C to +100 °C	
	Thread	G 1/8	
	Max. torque value	15 Nm	
	Switching type	N/C or N/O contacts Reed contacts (change-over contacts)	
	Max. switching voltage	24 V	
	Electrical connection	Male connection PG 11 Female connector to DIN 43651	
	Max. switching voltage at resistive load	15 W = max. 15 VA ~	
	Switching capacity	Ohmic 1 A at 15 V = Ohmic 1 A at 15 V ~	
	Protection class to DIN 40050	IP 65 (only if the connector is wired and fitted correctly)	
	Order example	VMF 2 LZ.1 /-CN	


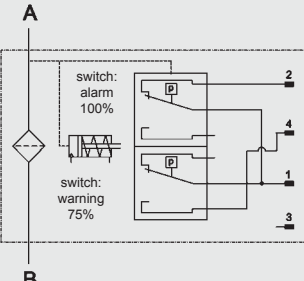
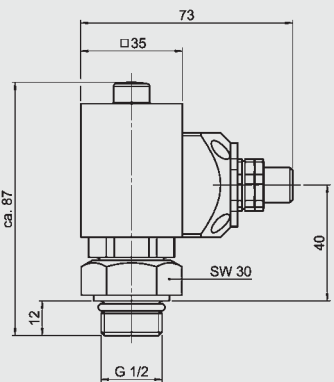
VR x LZ.x /-CN

 	Type of indication	visual, red pin and 1 electrical switching contact at 75% and at 100% of the pressure setting 1 green LED goes out at 75% 1 yellow LED lights from 75% 1 red LED lights from 100% Δp	
	Weight	190 g	
	Pressure setting or indication range	2 bar - 0.2 bar	
	Permitt. operating pressure	7 bar	
	Permitt. temperature range	-30 °C to +100 °C	
	Thread	G 1/2	
	Max. torque value	15 Nm	
	Switching type	N/C or N/O contacts Reed contacts (change-over contacts)	
	Max. switching voltage	24 V	
	Electrical connection	Male connection PG 11 Female connector to DIN 43651	
	Max. switching voltage at resistive load	15 W = max. 15 VA ~	
	Switching capacity	Ohmic 1 A at 15 V = Ohmic 1 A at 15 V ~	
	Protection class to DIN 40050	IP 65 (only if the connector is wired and fitted correctly)	
	Order example	VR 2 LZ.1 /-CN	


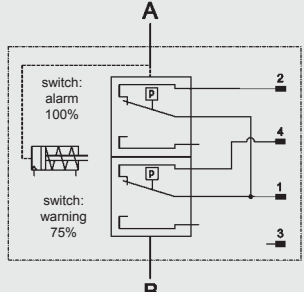
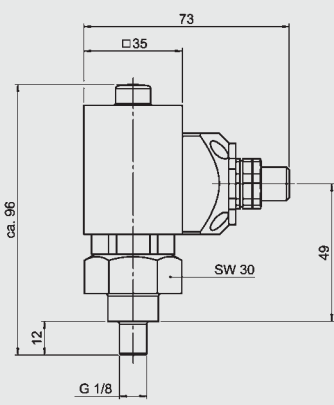
VMF x LZ.x /-BO

 	Type of indication	Visual, red pin and 1 electrical switching contact at 75% and at 100% of the pressure setting	
	Weight	120 g	
	Pressure setting or indication range	2 bar (or 2.5 bar) - 10%	
	Permitt. operating pressure	7 bar	
	Permitt. temperature range	-10 °C to +100 °C	
	Thread	G 1/8	
	Max. torque value	15 Nm	
	Switching type	N/O (75%) N/C (100%)	
	Max. switching voltage	24 V	
	Electrical connection	Male connection M12 x 1	
	Max. switching voltage at resistive load	15 W = max. 15 VA ~	
	Switching capacity	Ohmic 1 A at 15 V = Ohmic 1 A at 15 V ~	
	Protection class to DIN 40050	IP 65	
	Order example	VMF 2 LZ.1 /-BO	


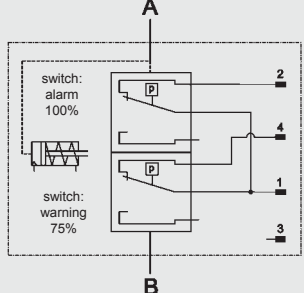
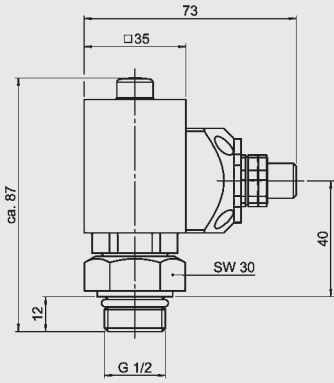
VR x LZ.x /-BO

 	Type of indication	Visual, red pin and 1 electrical switching contact at 75% and at 100% of the pressure setting	
	Weight	145 g	
	Pressure setting or indication range	2 bar (or 2.5 bar) - 10%	
	Permitt. operating pressure	7 bar	
	Permitt. temperature range	-10 °C to +100 °C	
	Thread	G 1/2	
	Max. torque value	15 Nm	
	Switching type	N/O (75%) N/C (100%)	
	Max. switching voltage	24 V	
	Electrical connection	Male connection M12 x 1	
	Max. switching voltage at resistive load	15 W = max. 15 VA ~	
	Switching capacity	Ohmic 1 A at 15 V = Ohmic 1 A at 15 V ~	
	Protection class to DIN 40050	IP 65	
	Order example	VR 2 LZ.1 /-BO	

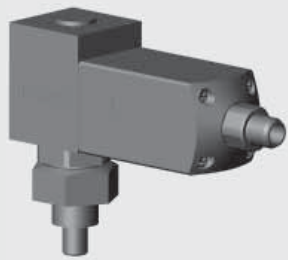
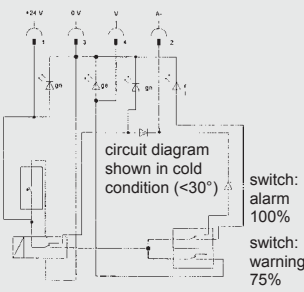
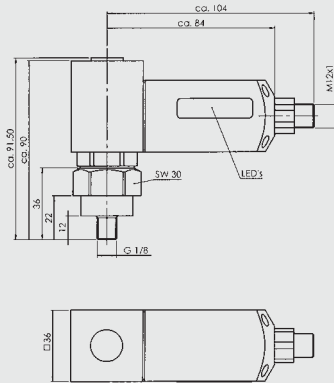
VMF x LZ.x /-AV

 	Type of indication	Visual, red pin and 1 electrical switching contact at 75% and at 100% of the pressure setting	
	Weight	120 g	
	Pressure setting or indication range	2 bar (or 2.5 bar) - 10%	
	Permitt. operating pressure	7 bar	
	Permitt. temperature range	-10 °C to +100 °C	
	Thread	G 1/8	
	Max. torque value	15 Nm	
	Switching type	N/C (75% and 100%)	
	Max. switching voltage	24 V	
	Electrical connection	Male connection M12 x 1	
	Max. switching voltage at resistive load	15 W = max. 15 VA ~	
	Switching capacity	Ohmic 1 A at 15 V = Ohmic 1 A at 15 V ~	
	Protection class to DIN 40050	IP 65	
	Order example	VMF 2 LZ.1 /-AV	

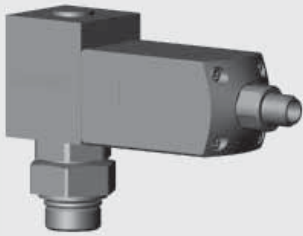
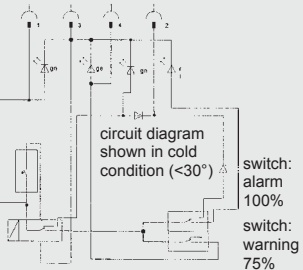
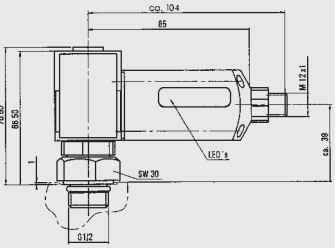

VR x LZ.x /-AV

 	Type of indication	Visual, red pin and 1 electrical switching contact at 75% and at 100% of the pressure setting	
	Weight	145 g	
	Pressure setting or indication range	2 bar (or 2.5 bar) - 10%	
	Permitt. operating pressure	7 bar	
	Permitt. temperature range	-10 °C to +100 °C	
	Thread	G 1/2	
	Max. torque value	15 Nm	
	Switching type	N/C (75% and 100%)	
	Max. switching voltage	24 V	
	Electrical connection	Male connection M12 x 1	
	Max. switching voltage at resistive load	15 W = max. 15 VA ~	
	Switching capacity	Ohmic 1 A at 15 V = Ohmic 1 A at 15 V ~	
	Protection class to DIN 40050	IP 65	
	Order example	VR 2 LZ.1 /-AV	

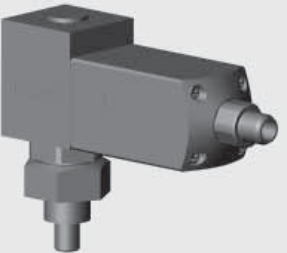
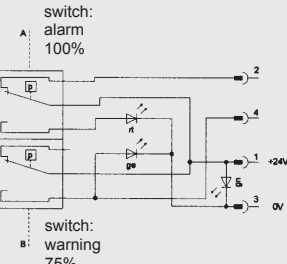
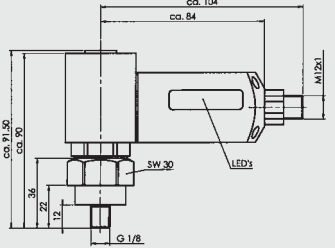

VMF x LZ.x /-D4C

 	Type of indication	1 electrical switching contact at 75% and 100% of the pressure setting and suppression of the switching signal when operating temp. is below 30 °C. 2 green LEDs light when below 30 °C 1 green LED lights from 30 °C 1 yellow LED lights from 75% 1 red LED lights from 100% Δp	
	Weight	245 g	
	Pressure setting or indication range	2.5 bar - 10%	
	Permitt. operating pressure	7 bar	
	Permitt. temperature range	-10 °C to +100 °C	
	Thread	G 1/8	
	Max. torque value	15 Nm	
	Switching type	N/O (75%) N/C (100%)	
	Max. switching voltage	24 V	
	Electrical connection	Male connection M12 x 1	
	Max. switching voltage at resistive load	15 W = max. 15 VA ~	
	Switching capacity	Ohmic 1 A at 15 V = Ohmic 1 A at 15 V ~	
	Protection class to DIN 40050	IP 65	
	Order example	VMF 2 LZ.1 /-D4C	

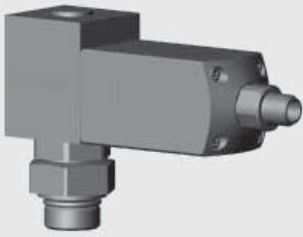
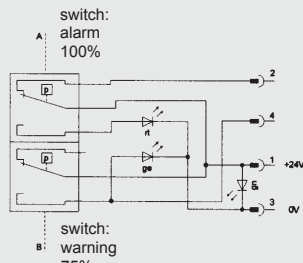
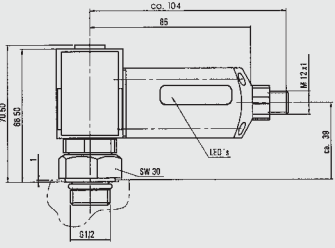
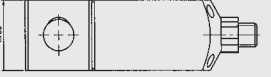
VR x LZ.x /-D4C

 	Type of indication	1 electrical switching contact at 75% and at 100% of the pressure setting and suppression of the switching signal up to approx. 30 °C. 2 green LEDs light when below 30 °C 1 green LED lights from 30 °C 1 yellow LED lights from 75% 1 red LED lights from 100% Δp	 
	Weight	205 g	
	Pressure setting or indication range	2.5 bar - 10%	
	Permitt. operating pressure	7 bar	
	Permitt. temperature range	-10 °C to +100 °C	
	Thread	G 1/2	
	Max. torque value	15 Nm	
	Switching type	N/O (75%) N/C (100%)	
	Max. switching voltage	24 V	
	Electrical connection	Male connection M12 x 1	
	Max. switching voltage at resistive load	15 W = max. 15 VA ~	
	Switching capacity	Ohmic 1 A at 15 V = Ohmic 1 A at 15 V ~	
	Protection class to DIN 40050	IP 65	
	Order example	VR 2 LZ.1 /-D4C	

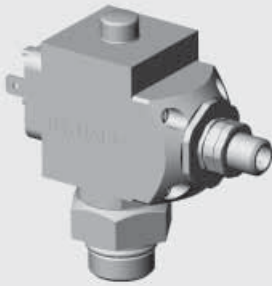
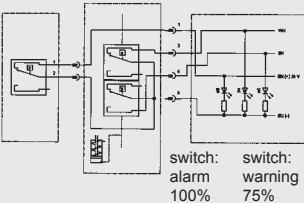
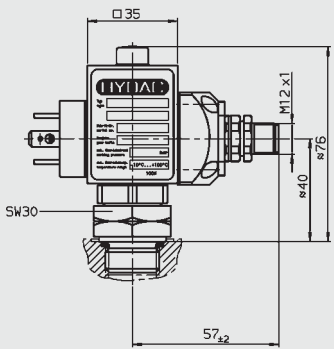
VMF x LZ.x /-BO-LED

 	Type of indication	1 electrical switching contact at 75% and at 100% of the pressure setting 1 green LED constantly lit 1 yellow LED lights from 75% 1 red LED lights from 100% Δp	 
	Weight	245 g	
	Pressure setting or indication range	2.5 bar - 10%	
	Permitt. operating pressure	7 bar	
	Permitt. temperature range	-10 °C to +100 °C	
	Thread	G 1/8	
	Max. torque value	15 Nm	
	Switching type	N/O (75%), N/C (100%)	
	Max. switching voltage	24 V	
	Electrical connection	Male connection M12 x 1	
	Max. switching voltage at resistive load	15 W = max. 15 VA ~	
	Switching capacity	Ohmic 1 A at 15 V = Ohmic 1 A at 15 V ~	
	Protection class to DIN 40050	IP 65	
	Order example	VMF 2 LZ.1 /-BO-LED	


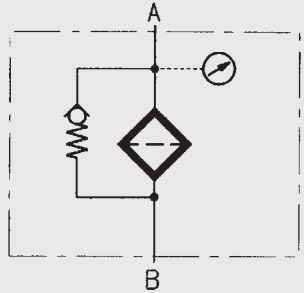
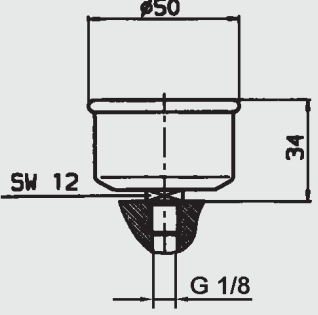

VR x LZ.x /-BO-LED

 	Type of indication	1 electrical switching contact at 75% and at 100% of the pressure setting 1 green LED constantly lit 1 yellow LED lights from 75% 1 red LED lights from 100% Δp	 
	Weight	205 g	
	Pressure setting or indication range	2.5 bar - 10%	
	Permitt. operating pressure	7 bar	
	Permitt. temperature range	-10 °C to +100 °C	
	Thread	G 1/2	
	Max. torque value	15 Nm	
	Switching type	N/O (75%), N/C (100%)	
	Max. switching voltage	24 V	
	Electrical connection	Male connection M12 x 1	
	Max. switching voltage at resistive load	15 W = max. 15 VA ~	
	Switching capacity	Ohmic 1 A at 15 V = Ohmic 1 A at 15 V ~	
	Protection class to DIN 40050	IP 65	
	Order example	VR 2 LZ.1 /-BO-LED	


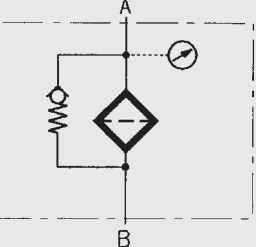
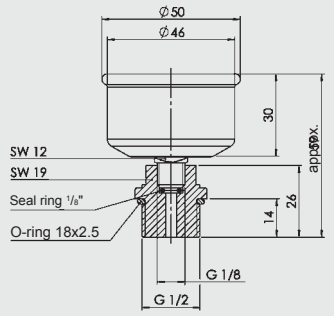

VR x LZ.x /-GM

 	Type of indication	Visual, red pin and 1 electrical switching contact at 75% and at 100% of the pressure setting Indicator function possible in conjunction with the "No element" indicator	
	Weight	290 g	
	Pressure setting or indication range	2.5 bar - 10%	
	Permitt. operating pressure	7 bar	
	Permitt. temperature range	-10 °C to +100 °C	
	Thread	G 1/2	
	Max. torque value	15 Nm	
	Switching type	-	
	Max. switching voltage	24 V	
	Electrical connection	Male connection M12 x 1	
	Max. switching voltage at resistive load	15 W = max. 15 VA ~	
	Switching capacity	Ohmic 1 A at 15 V = Ohmic 1 A at 15 V ~	
	Protection class to DIN 40050	IP 65	
	Order example	VR 2 LZ.1 /-GM	

VMF x R.x

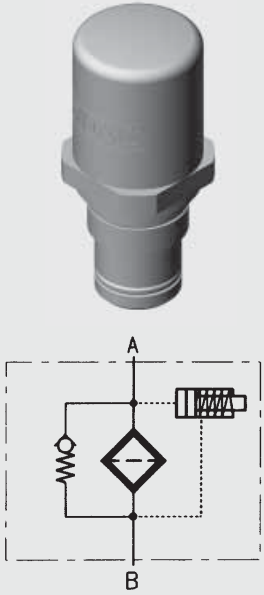
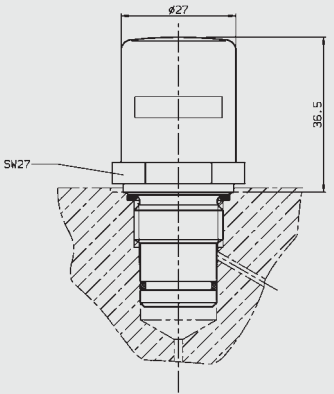
 	Type of indication	visual-analogue, scale indication	 
	Weight	80 g	
	Pressure setting or indication range	0 to 10 bar	
	Permitt. operating pressure	7 bar continuous	
	Permitt. temperature range	-20 °C to +60 °C	
	Thread	G 1/8	
	Max. torque value	15 Nm	
	Switching type	-	
	Max. switching voltage	-	
	Electrical connection	-	
	Max. switching voltage at resistive load	-	
Switching capacity	-		
Protection class to DIN 40050	-		
Order example	VMF 2 R.0		

VR x R.x

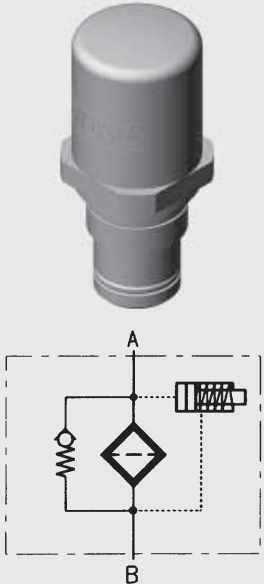
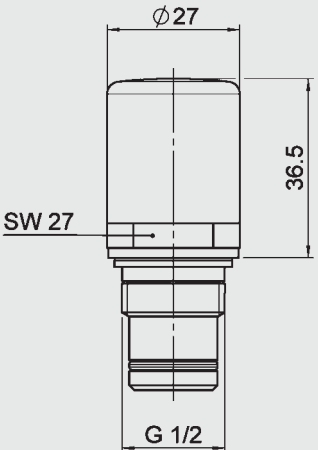
 	Type of indication	visual-analogue, scale indication	 
	Weight	140 g	
	Pressure setting or indication range	0 to 10 bar	
	Permitt. operating pressure	7 bar continuous	
	Permitt. temperature range	-20 °C to +60 °C	
	Thread	G 1/2	
	Max. torque value	30 Nm	
	Switching type	-	
	Max. switching voltage	-	
	Electrical connection	-	
	Max. switching voltage at resistive load	-	
Switching capacity	-		
Protection class to DIN 40050	-		
Order example	VR 2 R.0		

3.3 DIFFERENTIAL PRESSURE INDICATORS

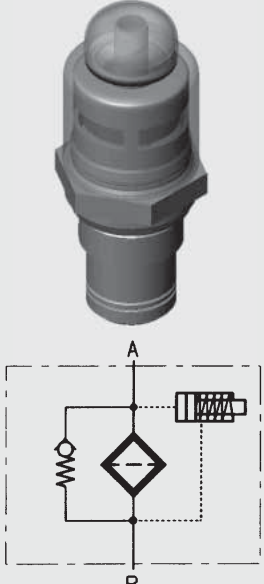
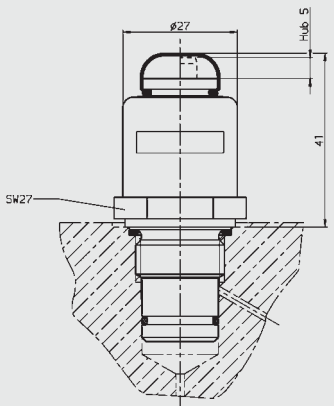
VM x B.x

	Type of indication	Visual, red/green band Automatic reset	
	Weight	55 g	
	Pressure setting or indication range	2 bar - 10% 5 bar - 10% 8 bar ± 10%	
	Permitt. operating pressure	210 bar	
	Permitt. temperature range	-30 °C to +100 °C	
	Thread	G 1/2	
	Max. torque value	33 Nm	
	Switching type	-	
	Max. switching voltage	-	
	Electrical connection	-	
	Max. switching voltage at resistive load	-	
	Switching capacity	-	
	Protection class to DIN 40050	-	
	Order example	VM 5 B.1	

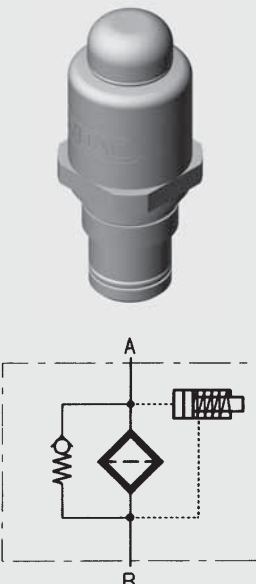
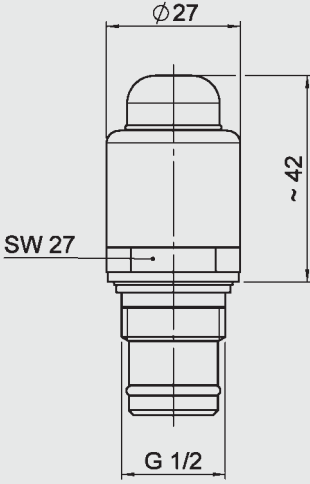
VD x B.x

	Type of indication	Visual, red/green band Automatic reset	
	Weight	110 g	
	Pressure setting or indication range	2 bar - 10% 5 bar - 10% 8 bar ± 10%	
	Permitt. operating pressure	420 bar	
	Permitt. temperature range	-30 °C to +100 °C	
	Thread	G 1/2	
	Max. torque value	100 Nm	
	Switching type	-	
	Max. switching voltage	-	
	Electrical connection	-	
	Max. switching voltage at resistive load	-	
	Switching capacity	-	
	Protection class to DIN 40050	-	
	Order example	VD 5 B.1	

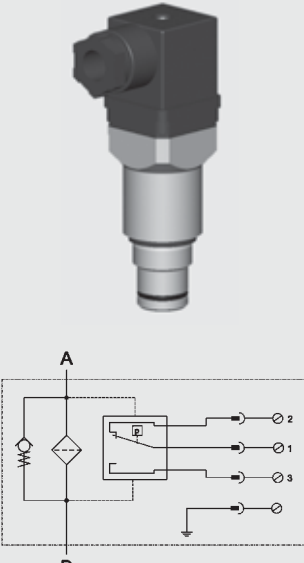
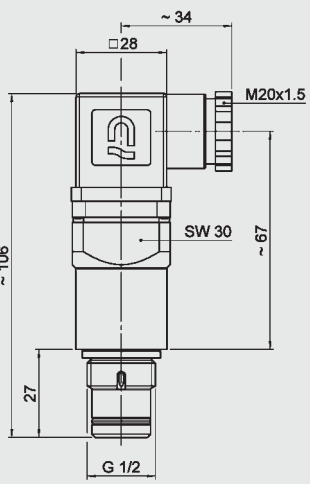
VM x BM.x

	Type of indication	Visual, red/green band Manual reset	
	Weight	55 g	
	Pressure setting or indication range	2 bar - 10% 5 bar - 10% 8 bar ± 10%	
	Permitt. operating pressure	210 bar	
	Permitt. temperature range	-30 °C to +100 °C	
	Thread	G 1/2	
	Max. torque value	33 Nm	
	Switching type	-	
	Max. switching voltage	-	
	Electrical connection	-	
	Max. switching voltage at resistive load	-	
	Switching capacity	-	
	Protection class to DIN 40050	-	
	Order example	VM 5 BM.1	

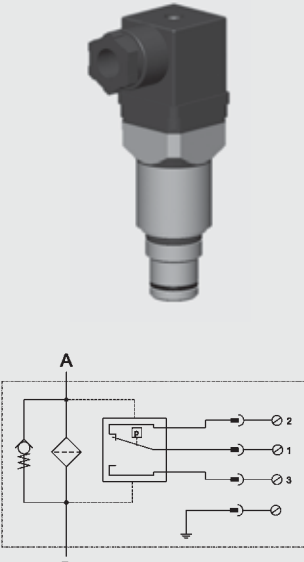
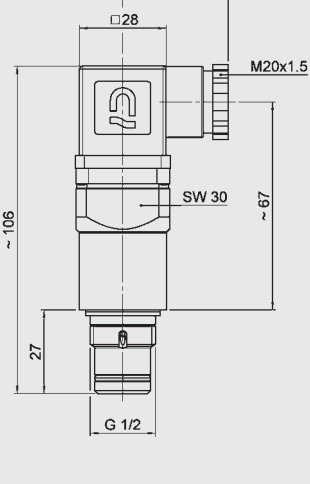
VD x BM.x

	Type of indication	Visual, red/green band Manual reset	
	Weight	110 g	
	Pressure setting or indication range	2 bar - 10 % 5 bar - 10% 8 bar ± 10%	
	Permitt. operating pressure	420 bar	
	Permitt. temperature range	-30 °C to +100 °C	
	Thread	G 1/2	
	Max. torque	100 Nm	
	Switching type	-	
	Max. switching voltage	-	
	Electrical connection	-	
	Max. switching voltage at resistive load	-	
	Switching capacity	-	
	Protect. class to DIN 40050	-	
Order example	VD 5 BM.1		

VM x C.x

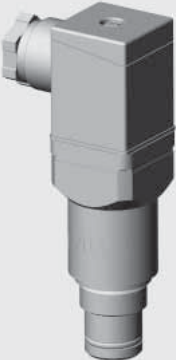
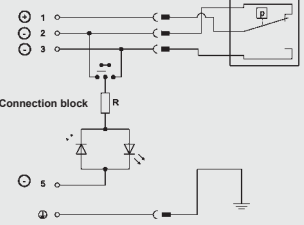
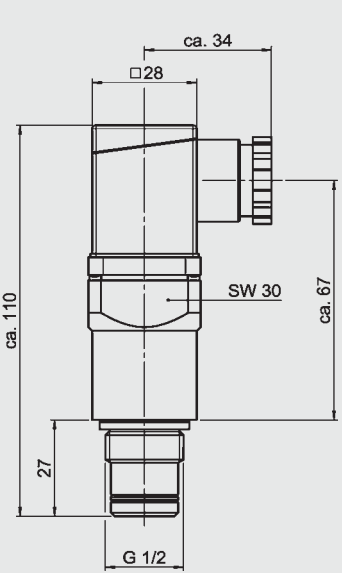
	Type of indication	electrical switch	
	Weight	120 g	
	Pressure setting or indication range	2 bar - 10% 5 bar - 10% 8 bar ± 10%	
	Permitt. operating pressure	210 bar	
	Permitt. temperature range	-30 °C to +100 °C	
	Thread	G 1/2	
	Max. torque value	33 Nm	
	Switching type	N/C or N/O (change-over contacts)	
	Max. switching voltage	230 V	
	Electrical connection	Male connection M20 Female connector to DIN 43650	
	Max. switching voltage at resistive load	60 W = 100 VA ~	
	Switching capacity ¹⁾	Ohmic 3 A at 24 V = Ohmic 0.03 to 5 A at max. 230 V ~	
	Protection class to DIN 40050	IP 65 (only if the connector is wired and fitted correctly)	
Order example	VM 5 C.0		

VD x C.x


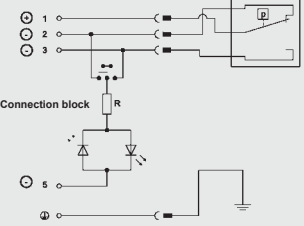
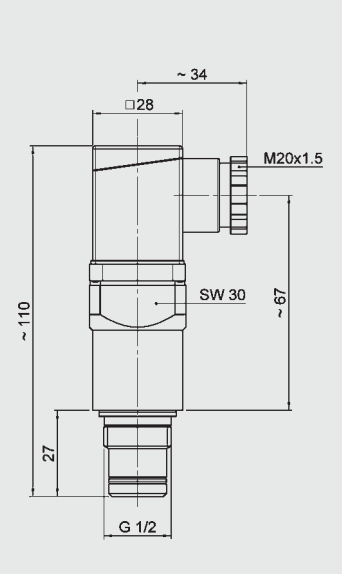
	Type of indication	electrical switch	
	Weight	220 g	
	Pressure setting or indication range	5 bar - 10% 8 bar ± 10%	
	Permitt. operating pressure	420 bar	
	Permitt. temperature range	-30 °C to +100 °C	
	Thread	G 1/2	
	Max. torque	100 Nm	
	Switching type	N/C or N/O (change-over contacts)	
	Max. switching voltage	230 V	
	Electrical connection	Male connection M20 Female connector to DIN 43650	
	Max. switching voltage at resistive load	60 W = 100 VA ~	
	Switching capacity ¹⁾	Ohmic 3 A at 24 V = Ohmic 0.03 to 5 A at max. 230 V ~	
	Protection class to DIN 40050	IP 65 (only if the connector is wired and fitted correctly)	
Order example	VD 5 C.0		

¹⁾ Required amperage > 20 mA; for lower amperages, order "-SO135" indicators (see Supplementary details).


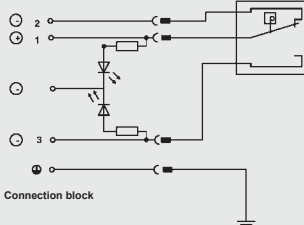
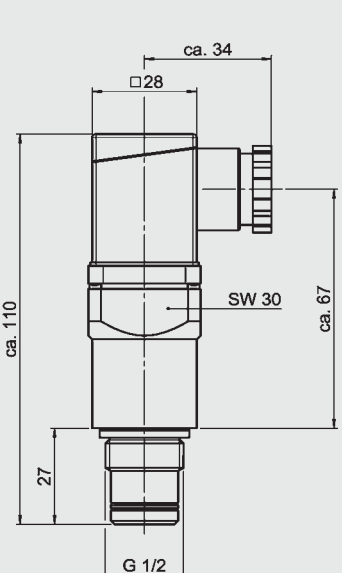
VM x D.x /-L...

 	Type of indication	visual indicator and electrical switch	
	Weight	150 g	
	Pressure setting or indication range	2 bar - 10% 5 bar - 10% 8 bar ± 10%	
	Permitt. operating pressure	210 bar	
	Permitt. temperature range	-30 °C to +100 °C	
	Thread	G 1/2	
	Max. torque value	33 Nm	
	Switching type	N/C or N/O (change-over contacts)	
	Max. switching voltage	24, 48, 110, 230 V depending on the type of light insert	
	Electrical connection	Male connection M20 Female connector to DIN 43650	
	Max. switching voltage at resistive load	60 W = 100 VA ~	
	Switching capacity ¹⁾	Ohmic 3 A at 24 V = Ohmic 0.03 to 5 A at max. 230 V ~	

VD x D.x /-L...


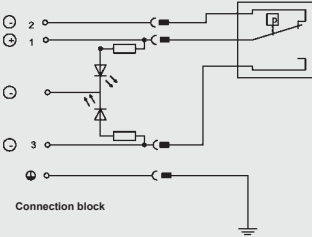
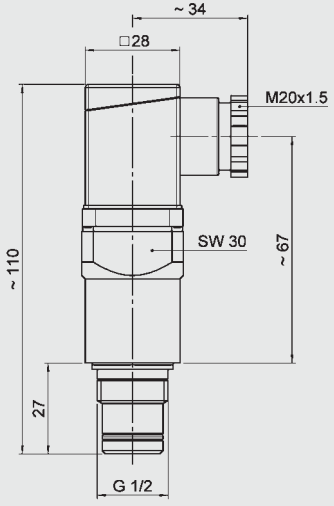
 	Type of indication	visual indicator and electrical switch	
	Weight	250 g	
	Pressure setting or indication range	2 bar -10% 5 bar - 10% 8 bar ± 10%	
	Permitt. operating pressure	420 bar	
	Permitt. temperature range	-30 °C to +100 °C	
	Thread	G 1/2	
	Max. torque value	100 Nm	
	Switching type	N/C or N/O (change-over contacts)	
	Max. switching voltage	24, 48, 110, 230 V depending on the type of light insert	
	Electrical connection	Male connection M20 Female connector to DIN 43650	
	Max. switching voltage at resistive load	60 W = 100 VA ~	
	Switching capacity ¹⁾	Ohmic 3 A at 24 V = Ohmic 0.03 to 5 A at max. 230 V ~	

VM x D.x /-LED


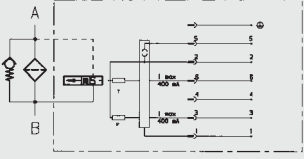
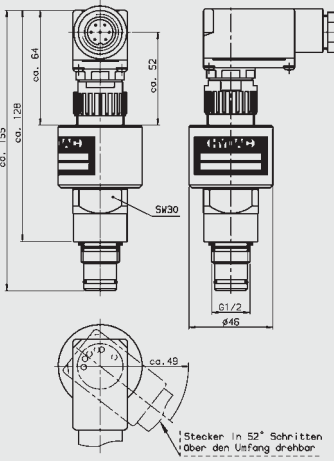
 	Type of indication	visual indicator and electrical switch	
	Weight	150 g	
	Pressure setting or indication range	2 bar - 10% 5 bar - 10% 8 bar ± 10%	
	Permitt. operating pressure	210 bar	
	Permitt. temperature range	-30 °C to +100 °C	
	Thread	G 1/2	
	Max. torque value	33 Nm	
	Switching type	N/C or N/O (change-over contacts)	
	Max. switching voltage	24 V	
	Electrical connection	Male connection M20 Female connector to DIN 43650	
	Max. switching voltage at resistive load	60 W = 100 VA ~	
	Switching capacity ¹⁾	ohmic 3 A at 24 V =	

¹⁾ Required amperage > 20 mA; for lower amperages, order "-SO135" indicators (see Supplementary details).


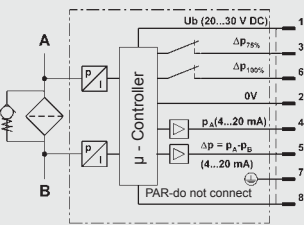
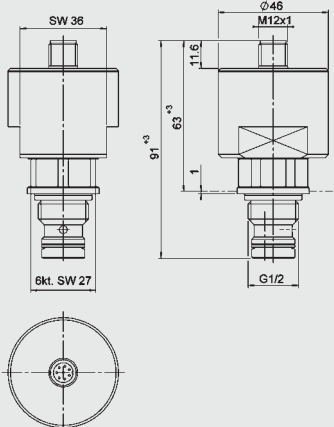
VD x D.x /-LED

 	Type of indication	visual indicator and electrical switch	
	Weight	250 g	
	Pressure setting or indication range	2 bar - 10% 5 bar - 10% 8 bar ± 10%	
	Permitt. operating pressure	420 bar	
	Permitt. temperature range	-30 °C to +100 °C	
	Thread	G 1/2	
	Max. torque	100 Nm	
	Switching type	N/C or N/O (change-over contacts)	
	Max. switching voltage	24 V	
	Electrical connection	Male connection M20 Female connector to DIN 43650	
	Max. switching voltage at resistive load	60 W = 100 VA ~	
	Switching capacity ¹⁾	ohmic 3 A at 24 V =	
	Protection class to DIN 40050	IP 65 (only if the connector is wired and fitted correctly)	
Order example	VD 5 D.0 /-LED		

VD x GC.x

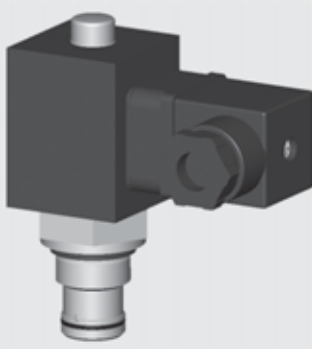
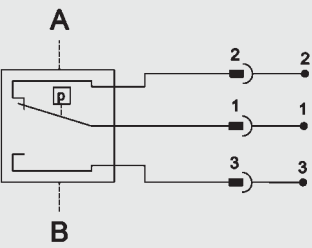
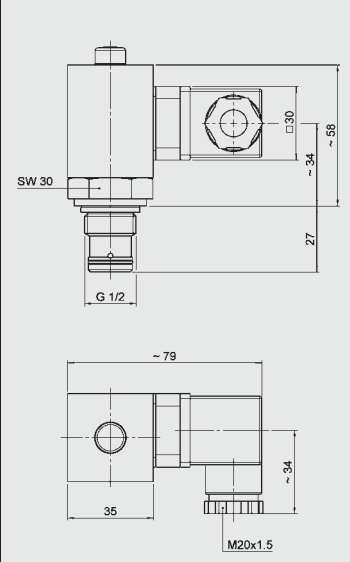
 	Type of indication	Electronic/analogue (4-20 mA or 1-10 V) 1 electrical switching contact at 75% and at 100% of the pressure setting Analogue signal up to 20% of the pressure setting constant 4mA or 1 V	
	Weight	400 g	
	Pressure setting or indication range	2 bar - 10% 5 bar - 10% 8 bar - 10%	
	Permitt. operating pressure	420 bar	
	Permitt. temperature range	-30 °C to +80 °C	
	Thread	G 1/2	
	Max. torque value	100 Nm	
	Switching type	N/C or N/O, electronic PNP positive switching (factory setting)	
	Max. switching voltage	operating voltage 20 - 30 V DC	
	Electrical connection	7 pole plug to DIN 43651; PG 11	
	Max. switching voltage at resistive load	12 W	
	Switching capacity	ohmic 0.4 A at 30 V =	
	Protection class to DIN 40050	IP 65 (only if the connector is wired and fitted correctly)	
Order example	VD 5 GC.0 /-LED-SQ-123		

VL x GW.x

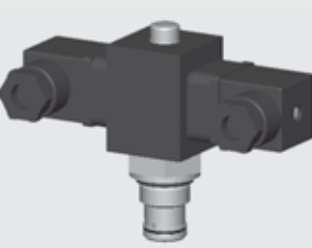
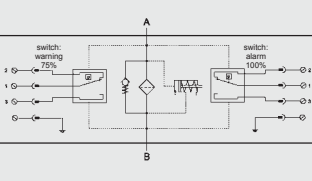
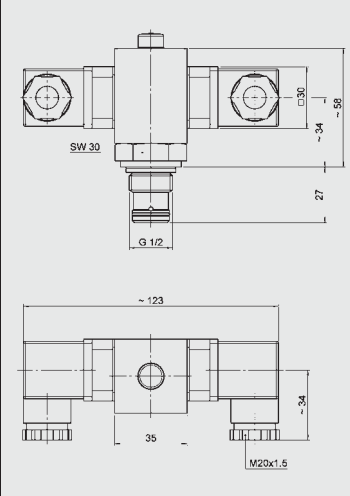
 	Type of indication	Electronic/analogue (4-20 mA) for condition monitoring filters incl. bypass monitoring. 1 switching contact at 75% and at 100% of the pressure setting	
	Weight	157 g	
	Pressure setting p (switching contact 100%)	2 bar ± 5% 3 bar ± 5% 5 bar ± 5%	
	Indication range Δp	0 - 5 bar 0 - 5 bar 0 - 8 bar	
	Indication range "pressure before filter"	25 bar	
	Type of switching	electronic switch, PNP positive switching	
	switching outputs Δp	N/O or N/C contacts (factory setting)	
	Output load	400 mA	
	Max. switching voltage / operating voltage	20...30V DC	
	Analogue outputs "press. before filter" & Δp	4...20 mA (max. load resistance 600Ω)	
	Electrical connection	M12 x 1 / 8 pole	
	Protection class to DIN 40050	IP 65	
	Permitt. operating pressure	25 bar	
Permitt. temperature range	-40 °C to +85 °C		
Thread	G 1/2		
Max. torque	33 Nm		
Order example	VL 5 GW.0 /-V-123		

¹⁾ Required amperage > 20 mA; for lower amperages, order "-SO135" indicators (see Supplementary details).

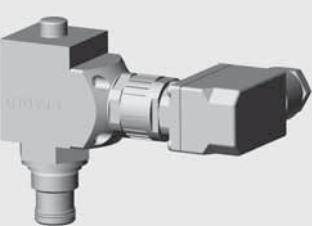
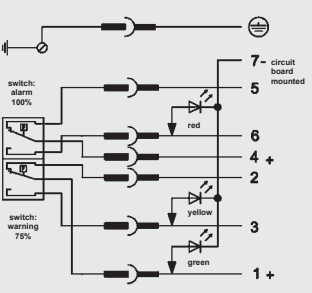
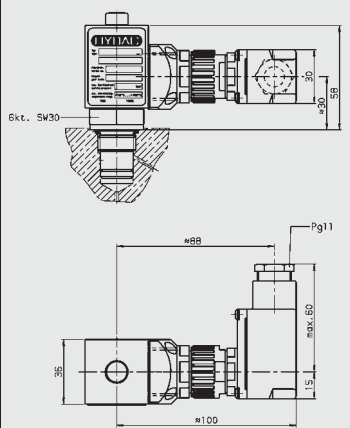
VD x LE.x

 	Type of indication	visual, red pin and electrical switch 1 switching contact at 100% of the pressure setting	
	Weight	198 g	
	Pressure setting or indication range	2 bar - 10% 5 bar - 10% 8 bar - 10%	
	Permitt. operating pressure	420 bar	
	Permitt. temperature range	-30 °C to +100 °C	
	Thread	G 1/2	
	Max. torque	50 Nm	
	Switching type	N/C or N/O contacts Reed contacts (change-over contacts)	
	Max. switching voltage	115 V	
	Electrical connection	Male connection M20 Female connector to DIN 43650	
	Max. switching voltage at resistive load	15 W = max. 15 VA ~	
	Switching capacity	Ohmic 1 A at 15 V = Ohmic 1 A at 15 V ~	
	Protection class to DIN 40050	IP 65 (only if the connector is wired and fitted correctly)	
	Order example	VD 5 LE.1	

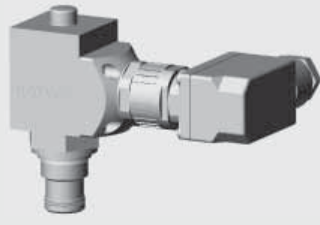
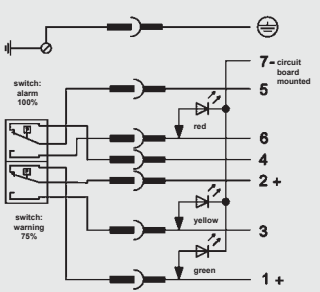
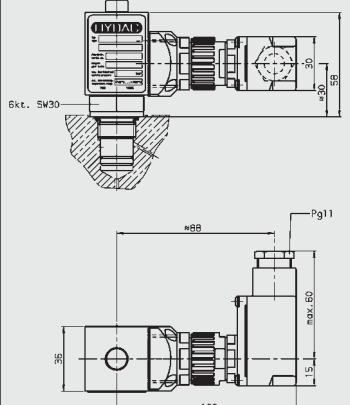
VD x LZ.x

 	Type of indication	Visual, red pin and 1 electrical switching contact at 75% and at 100% of the pressure setting	
	Weight	240 g	
	Pressure setting or indication range	2 bar - 10% 5 bar - 10% 8 bar - 10%	
	Permitt. operating pressure	420 bar	
	Permitt. temperature range	-30 °C to +100 °C	
	Thread	G 1/2	
	Max. torque value	50 Nm	
	Switching type	N/C or N/O contacts Reed contacts (change-over contacts)	
	Max. switching voltage	115 V	
	Electrical connection	Male connection M20 Female connector to DIN 43650	
	Max. switching voltage at resistive load	15 W = max. 15 VA ~	
	Switching capacity	ohmic 1 A at 15 V = ohmic 1 A at 15 V ~	
	Protection class to DIN 40050	IP 65 (only if the connector is wired and fitted correctly)	
	Order example	VD 5 LZ.1	


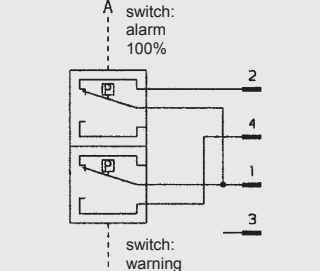
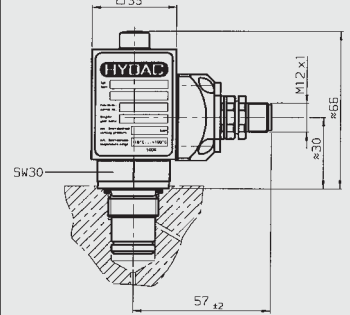
VD x LZ.x /-DB

 	Type of indication	visual, red pin and 1 electrical switching contact at 75% and at 100% of the pressure setting 1 green LED constantly lit 1 yellow LED lights from 75% 1 red LED lights from 100% Δp	
	Weight	245 g	
	Pressure setting or indication range	2 bar - 10% 5 bar - 10% 8 bar - 10%	
	Permitt. operating pressure	420 bar	
	Permitt. temperature range	-30 °C to +100 °C	
	Thread	G 1/2	
	Max. torque value	50 Nm	
	Switching type	N/C or N/O contacts Reed contacts (change-over contacts)	
	Max. switching voltage	24 V	
	Electrical connection	Male connection PG 11 Female connector to DIN 43651	
	Max. switching voltage at resistive load	15 W = max. 15 VA ~	
	Switching capacity	Ohmic 1 A at 15 V = Ohmic 1 A at 15 V ~	
	Protection class to DIN 40050	IP 65 (only if the connector is wired and fitted correctly)	
	Order example	VD 5 LZ.1 /-DB	

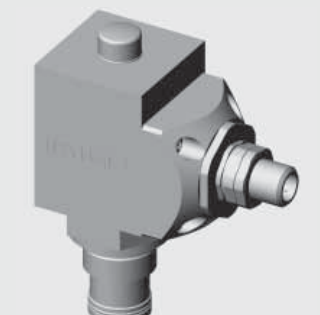
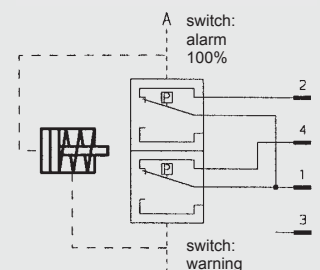
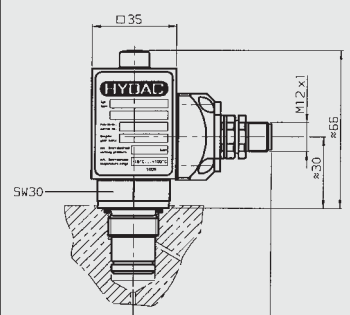
VD x LZ.x /-CN

 	Type of indication	visual, red pin and 1 electrical switching contact at 75% and at 100% of the pressure setting 1 green LED goes out at 75% 1 yellow LED lights from 75% 1 red LED lights from 100% Δp	
	Weight	245 g	
	Pressure setting or indication range	2 bar - 10% 5 bar - 10% 8 bar - 10%	
	Permitt. operating pressure	420 bar	
	Permitt. temperature range	-30 °C to +100 °C	
	Thread	G 1/2	
	Max. torque value	50 Nm	
	Switching type	N/C or N/O contacts Reed contacts (change-over contacts)	
	Max. switching voltage	24 V	
	Electrical connection	Male connection PG 11 Female connector to DIN 43651	
	Max. switching voltage at resistive load	15 W = max. 15 VA ~	
	Switching capacity	Ohmic 1 A at 15 V = Ohmic 1 A at 15 V ~	
	Protection class to DIN 40050	IP 65 (only if the connector is wired and fitted correctly)	
	Order example	VD 5 LZ.1 /-CN	

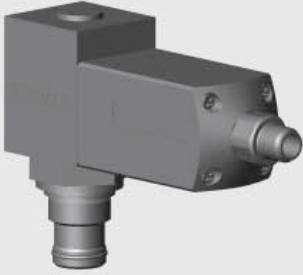
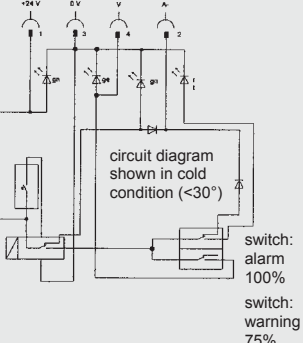
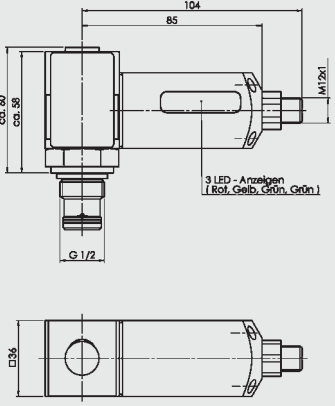
VD x LZ.x /-BO

 	Type of indication	Visual, red pin and 1 electrical switching contact at 75% and at 100% of the pressure setting	
	Weight	197 g	
	Pressure setting or indication range	2 bar - 10% 5 bar - 10% 8 bar - 10%	
	Permitt. operating pressure	420 bar	
	Permitt. temperature range	-10 °C to +100 °C	
	Thread	G 1/2	
	Max. torque value	50 Nm	
	Switching type	N/O (75%) N/C (100%)	
	Max. switching voltage	24 V	
	Electrical connection	Male connection M12 x 1	
	Max. switching voltage at resistive load	15 W = max. 15 VA ~	
	Switching capacity	Ohmic 1 A at 15 V = Ohmic 1 A at 15 V ~	
	Protection class to DIN 40050	IP 65	
	Order example	VD 5 LZ.1 /-BO	


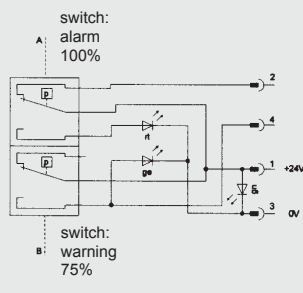
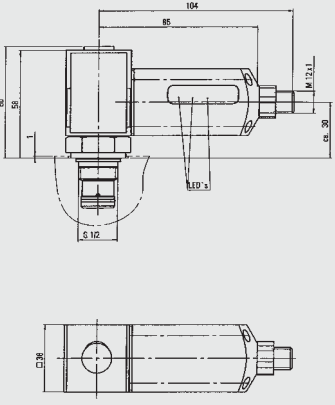
VD x LZ.x /-AV

 	Type of indication	Visual, red pin and 1 electrical switching contact at 75% and at 100% of the pressure setting	
	Weight	197 g	
	Pressure setting or indication range	2 bar - 10% 5 bar - 10% 8 bar - 10%	
	Permitt. operating pressure	420 bar	
	Permitt. temperature range	-10 °C to +100 °C	
	Thread	G 1/2	
	Max. torque value	50 Nm	
	Switching type	N/C (75% and 100%)	
	Max. switching voltage	24 V	
	Electrical connection	Male connection M12 x 1	
	Max. switching voltage at resistive load	15 W = max. 15 VA ~	
	Switching capacity	Ohmic 1 A at 15 V = Ohmic 1 A at 15 V ~	
	Protection class to DIN 40050	IP 65	
	Order example	VD 5 LZ.1 /-AV	

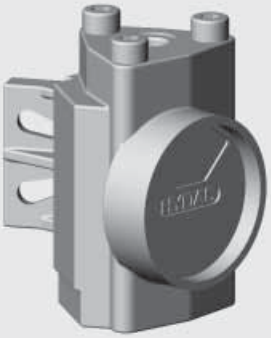
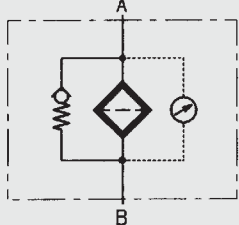
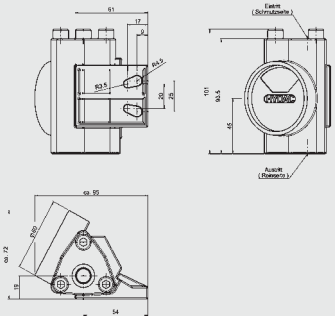
VD x LZ.x /-D4C

  <p>switch: alarm 100% switch: warning 75%</p>	Type of indication	1 electrical switching contact at 75% and at 100% of the pressure setting and suppression of the switching signal when operating temperature is below 30 °C 2 green LEDs light when below 30 °C 1 green LED constantly lit 1 yellow LED lights from 75% 1 red LED lights from 100% Δp	 <p>104 85 G 1/2 M12x1 3 LED-Anzeigen (Rot, Gelb, Grün)</p>
	Weight	256 g	
	Pressure setting or indication range	2 bar - 10% 5 bar - 10% 8 bar - 10%	
	Permitt. operating pressure	420 bar	
	Permitt. temperature range	-10 °C to +100 °C	
	Thread	G 1/2	
	Max. torque value	50 Nm	
	Switching type	N/O (75%) N/C (100%)	
	Max. switching voltage	24 V	
	Electrical connection	Male connection M12 x 1	
	Max. switching voltage at resistive load	15 W = max. 15 VA ~	
	Switching capacity	Ohmic 1 A at 15 V = Ohmic 1 A at 15 V ~	
	Protection class to DIN 40050	IP 65	
	Order example	VD 5 LZ.1 /-D4C	

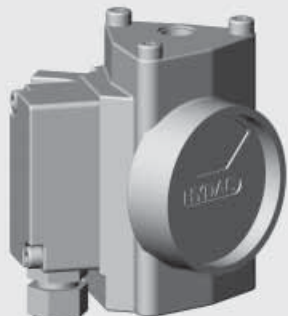
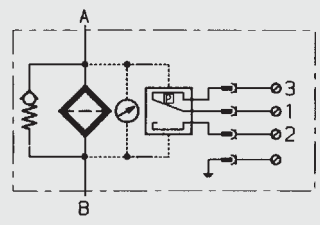
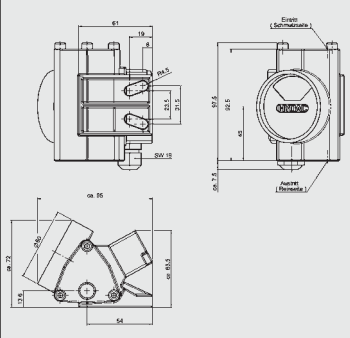
VD x LZ.x /-BO-LED

  <p>switch: alarm 100% switch: warning 75%</p>	Type of indication	1 electrical switching contact at 75% and at 100% of the pressure setting 1 green LED constantly lit 1 yellow LED lights from 75% 1 red LED lights from 100% Δp	 <p>104 85 M12x1 LED 5 G 1/2 D36</p>
	Weight	250 g	
	Pressure setting or indication range	2 bar - 10% 5 bar - 10% 8 bar - 10%	
	Permitt. operating pressure	420 bar	
	Permitt. temperature range	-10 °C to +100 °C	
	Thread	G 1/2	
	Max. torque value	50 Nm	
	Switching type	N/O (75%) N/C (100%)	
	Max. switching voltage	24 V	
	Electrical connection	Male connection M12 x 1	
	Max. switching voltage at resistive load	15 W = max. 15 VA ~	
	Switching capacity	Ohmic 1 A at 15 V = Ohmic 1 A at 15 V ~	
	Protection class to DIN 40050	IP 65	
	Order example	VD 5 LZ.1 /-BO-LED	


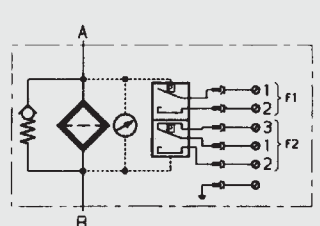
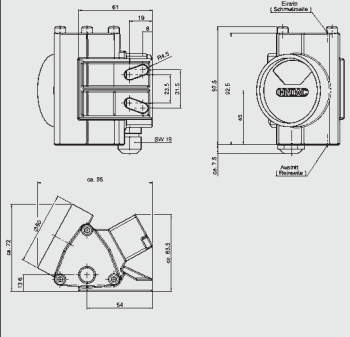
V02 x V.x

 	Type of indication	visual-analogue	 <p>51 17 2 53.5 54.5 100 54 69.52 54</p> <p>Extern (Stückliste) Extern (Stückliste) Extern (Stückliste)</p>
	Weight	580 g	
	Pressure setting or indication range	0.8 bar ± 10% 2.0 bar ± 10% 4.3 bar ± 10%	
	Permitt. operating pressure	100 bar	
	Permitt. temperature range	-30 °C to +100 °C	
	Thread	G 1/4	
	Max. torque value	-	
	Switching type	-	
	Max. switching voltage	-	
	Electrical connection	-	
	Max. switching voltage at resistive load	-	
	Switching capacity	-	
	Protection class to DIN 40050	-	
	Order example	V02 2 V.0	

V02 x VE.x

 	Type of indication	Visual/analogue indicator and electrical switching contact 100% of the pressure setting	
	Weight	640 g	
	Pressure setting or indication range	0.8 bar ± 10% 2.0 bar ± 10% 4.3 bar ± 10%	
	Permitt. operating pressure	100 bar	
	Permitt. temperature range	-30 °C to +100 °C	
	Thread	G 1/4	
	Max. torque value	-	
	Switching type	100% change-over contact	
	Max. switching voltage	250 V	
	Electrical connection	threaded connection M16 x 1.5	
	Max. switching voltage at resistive load	100% contact 30 W = 60 VA ~	
	Switching capacity	Ohmic 2.5 A at 24 V = Ohmic 1 A at 220 V ~	
	Protection class to DIN 40050	IP 65	
	Order example	V02 2 VE.0	


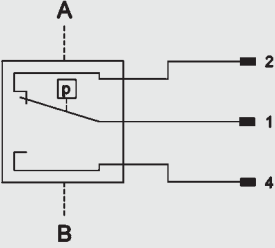
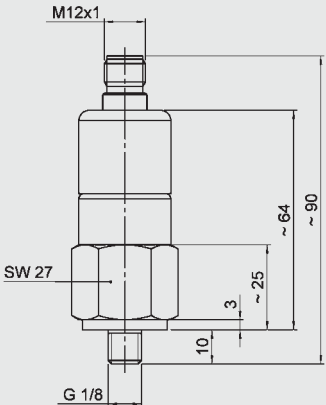
V02 x VZ.x

 	Type of indication	Visual/analogue indicator and 1 electrical switching contact at 75% and 100% of the pressure setting		
	Weight	650 g		
	Pressure setting or indication range	0.8 bar ± 10% 2.0 bar ± 10% 4.3 bar ± 10%		
	Permitt. operating pressure	100 bar		
	Permitt. temperature range	-30 °C to +100 °C		
	Thread	G 1/4		
	Max. torque value	-		
	Switching type	75% - N/O contact 100% - change-over contact		
	Max. switching voltage	250 V		
	Electrical connection	threaded connection M16 x 1.5		
	Max. switching voltage at resistive load	75% contact 120 W = 120 VA ~		100% contact 30 W = 60 VA ~
	Switching capacity	Ohmic 2.5 A at 24 V = Ohmic 1 A at 220 V ~		
	Protection class to DIN 40050	IP 65		
	Order example	V02 2 VZ.0		


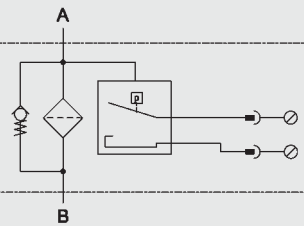
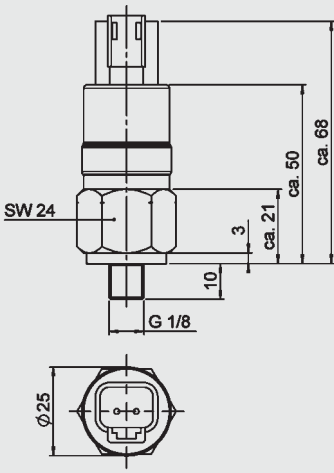
3.4 MOBILE INDICATORS

3.4.1 RETURN LINE


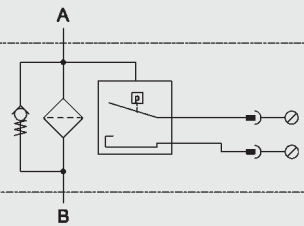
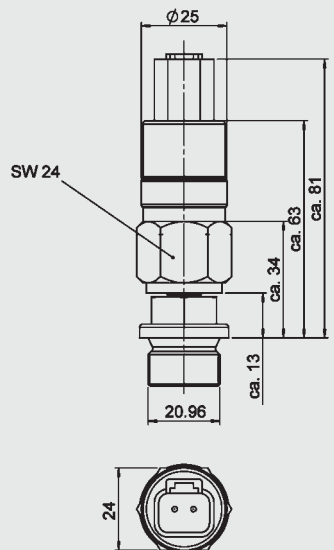
VMF x CM.x

 	Type of indication	electrical switch	
	Weight	90 g	
	Pressure setting or indication range	2 bar ± 0.4 bar	
	Permitt. operating pressure	10 bar	
	Permitt. temperature range	-10 °C to +100 °C	
	Thread	G 1/8	
	Max. torque value	15 Nm	
	Switching type	N/C or N/O (change-over contacts)	
	Max. switching voltage	24V	
	Electrical connection	Male connection M12 x 1	
	Max. switching voltage at resistive load	250 W = 300 VA ~	
	Switching capacity	Ohmic 6 A at 24 V = Ohmic 0.03 to 6 A at max. 230 V ~	
	Protection class to DIN 40050	IP 67 (only if the connector is wired and fitted correctly)	
Order example	VMF 2 CM.0		

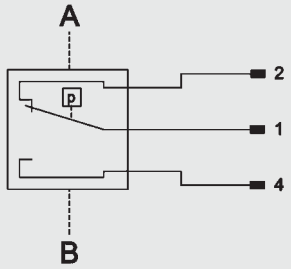
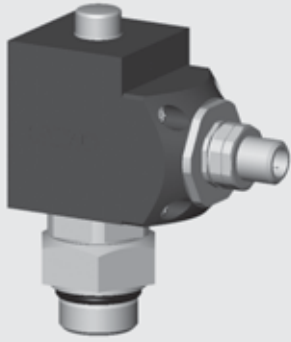
VMF x FD.x (plug connection: Deutsch DT 04-2P)

 	Type of indication	electrical switch	
	Weight	70 g	
	Pressure setting or indication range	2 bar ± 0.4 bar	
	Permitt. operating pressure	11 bar continuous	
	Permitt. temperature range	-30 °C to +100 °C	
	Thread	G 1/8	
	Max. torque	15 Nm	
	Switching type	N/O or N/C	
	Max. switching voltage	42 V	
	Electrical connection	Deutsch DT 04-2P	
	Max. switching voltage at resistive load	60 W = 100 VA ~	
	Switching capacity	Ohmic 2.5 A at 24 V = Ohmic 1 A at 220 V ~	
	Protection class to DIN 40050	IP 65, terminals IP 00	
Order example	VMF 2 FD.0 /-2M0		

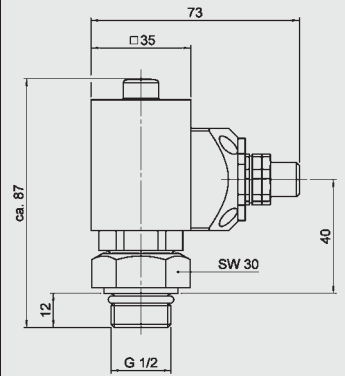
VR x FD.x (plug connection: Deutsch DT 04-2P)

 	Type of indication	electrical switch	
	Weight	90 g	
	Pressure setting or indication range	2 bar ± 0.4 bar	
	Permitt. operating pressure	11 bar continuous	
	Permitt. temperature range	-30 °C to +100 °C	
	Thread	G 1/2	
	Max. torque	30 Nm	
	Switching type	N/O or N/C	
	Max. switching voltage	42 V	
	Electrical connection	Deutsch DT 04-2P	
	Max. switching voltage at resistive load	60 W = 100 VA ~	
	Switching capacity	Ohmic 2.5 A at 24 V = Ohmic 1 A at 220 V ~	
	Protection class to DIN 40050	IP 65, terminals IP 00	
Order example	VR 2 FD.0 /-2M0		

VR x LEM.x

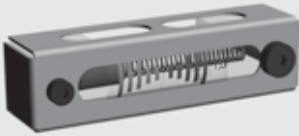
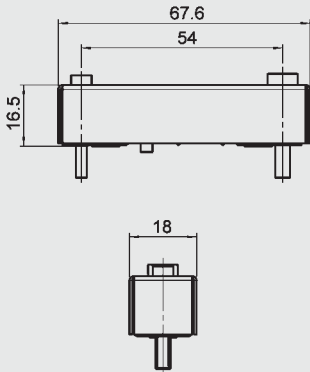


Type of indication	visual, red pin and electrical switch 1 switching contact at 100% of the pressure setting
Weight	140 g
Pressure setting or indication range	2 bar ± 0.4 bar
Permitt. operating pressure	7 bar
Permitt. temperature range	-10 °C to +100 °C
Thread	G 1/2
Max. torque value	15 Nm
Switching type	N/C or N/O contacts Reed contacts (change-over contacts)
Max. switching voltage	24V
Electrical connection	Male connection M12 x 1
Max. switching voltage at resistive load	15 W = max. 15 VA ~
Switching capacity	ohmic 1 A at 15 V = ohmic 1 A at 15 V ~
Protect. class to DIN 40050	IP 65
Order example	VR 2 LEM.1


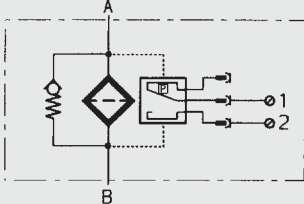
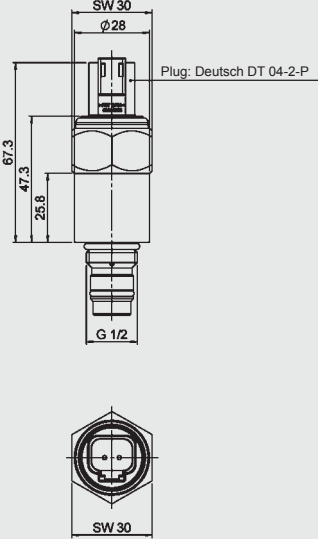


3.4.2 DIFFERENTIAL PRESSURE


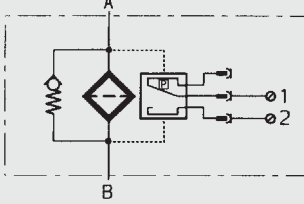
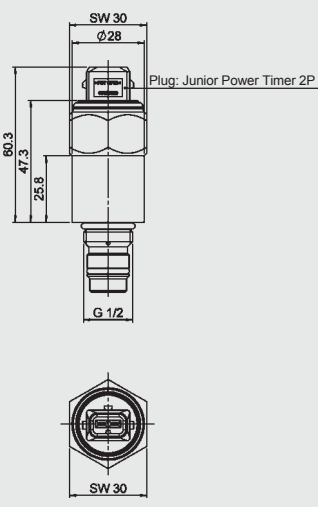
VL x BF.x

	Type of indication	visual	
	Weight	25 g	
	Pressure setting or indication range	1 bar – 10% 2.5 bar – 10%	
	Permitt. operating pressure	40 bar	
	Permitt. temperature range	-10 °C to +80 °C	
	Thread	M3; M4	
	Max. torque value	0.6 Nm	
	Switching type	-	
	Max. switching voltage	-	
	Electrical connection	-	
	Max. switching voltage at resistive load	-	
	Switching capacity	-	
	Protection class to DIN 40050	-	
	Order example	VL 2.5 BF.0	


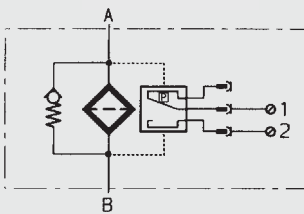
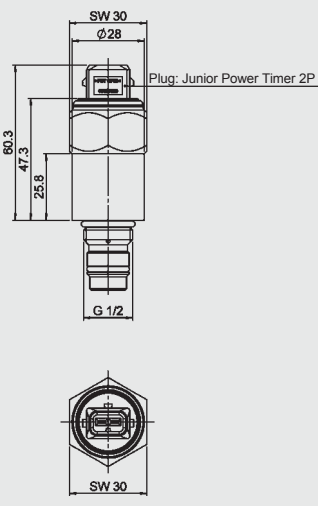
VM x CD.x (plug type: Deutsch DT 04-2P)

 	Type of indication	electrical switch	
	Weight	100 g	
	Pressure setting or indication range	2 bar - 10% 5 bar - 10% 8 bar ± 10%	
	Permitt. operating pressure	210 bar	
	Permitt. temperature range	-30 °C to +100 °C	
	Thread	G 1/2	
	Max. torque value	33 Nm	
	Switching type	N/O or N/C	
	Max. switching voltage	230 V	
	Electrical connection	-	
	Max. switching voltage at resistive load	60 W = 100 VA ~	
	Switching capacity	Ohmic 3 A at 24 V = Ohmic 0.03 to 5 A at max. 230 V ~	
	Protection class to DIN 40050	IP 67 (only if the connector is wired and fitted correctly)	
	Order example	VM 5 CD.0 /-2M0	


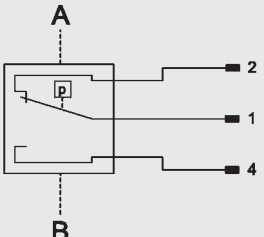
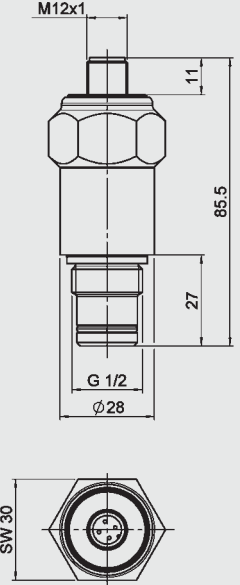
VM x CJ.x (plug type: Junior Power Timer)

 	Type of indication	electrical switch	
	Weight	100 g	
	Pressure setting or indication range	2 bar - 10% 5 bar - 10% 8 bar ± 10%	
	Permitt. operating pressure	210 bar	
	Permitt. temperature range	-30 °C to +100 °C	
	Thread	G 1/2	
	Max. torque value	33 Nm	
	Switching type	N/O or N/C	
	Max. switching voltage	230 V	
	Electrical connection	Junior Power Timer	
	Max. switching voltage at resistive load	60 W = 100 VA ~	
	Switching capacity	Ohmic 3 A at 24 V = Ohmic 0.03 to 5 A at max. 230 V ~	
	Protection class to DIN 40050	IP 54 (only if the connector is wired and fitted correctly)	
	Order example	VM 5 CJ.0 /-2M0	


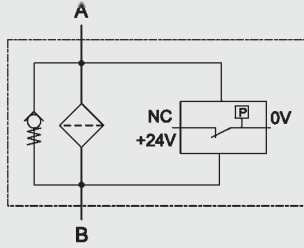
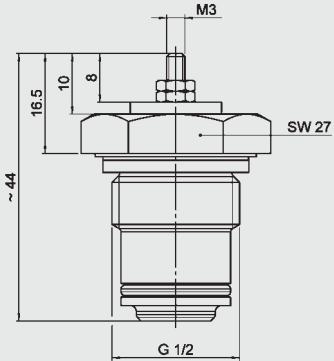
VD x CJ.x (plug type: Junior Power Timer)

 	Type of indication	electrical switch	
	Weight	200 g	
	Pressure setting or indication range	2 bar - 10% 5 bar - 10% 8 bar ± 10%	
	Permitt. operating pressure	420 bar	
	Permitt. temperature range	-30 °C to +100 °C	
	Thread	G 1/2	
	Max. torque value	100 Nm	
	Switching type	N/O or N/C	
	Max. switching voltage	230 V	
	Electrical connection	Junior Power Timer	
	Max. switching voltage at resistive load	60 W = 100 VA ~	
	Switching capacity	Ohmic 3 A at 24 V = Ohmic 0.03 to 5 A at max. 230 V ~	
	Protection class to DIN 40050	IP 54 (only if the connector is wired and fitted correctly)	
	Order example	VD 5 CJ.0 /-2M0	

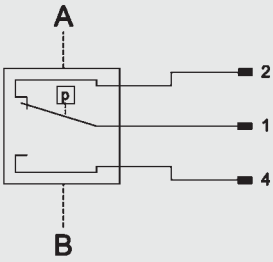
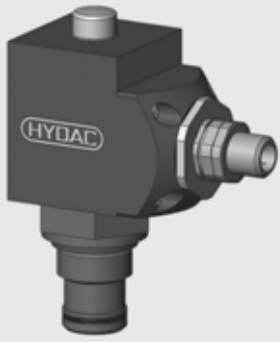
VM x CM.x

 	Type of indication	electrical switch	
	Weight	70 g	
	Pressure setting or indication range	2 bar - 10% 5 bar - 10% 8 bar ± 10%	
	Permitt. operating pressure	210 bar	
	Permitt. temperature range	-10 °C to +100 °C	
	Thread	G 1/2	
	Max. torque value	33 Nm	
	Switching type	N/C or N/O (change-over contacts)	
	Max. switching voltage	24 V	
	Electrical connection	Male connection M12 x 1	
	Max. switching voltage at resistive load	60 W = 100 VA ~	
	Switching capacity	ohmic 2.5 A at 24 V = ohmic 2.5 A at 42 V ~	
	Protection class to DIN 40050	IP 67 (only if the connector is wired and fitted correctly)	
	Order example	VM 2 CM.0	

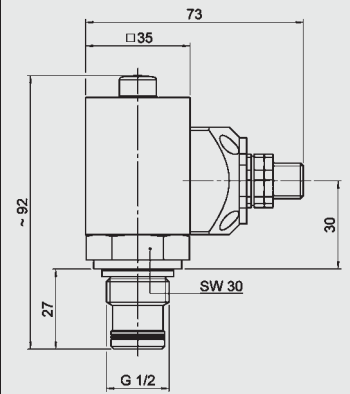
VM x M.x

 	Type of indication	single pole (ground switching)	
	Weight	31 g	
	Pressure setting or indication range	2 bar ± 15%	
	Permitt. operating pressure	210 bar	
	Permitt. temperature range	-30 °C to +100 °C	
	Thread	G 1/2	
	Max. torque value	33 Nm	
	Switching type	N/O or N/C	
	Max. switching voltage	24V	
	Electrical connection	-	
	Max. switching voltage at resistive load	-	
	Switching capacity	-	
	Protection class to DIN 40050	terminals IP00	
	Order example	VM 2 M.0	

VD x LEM.x




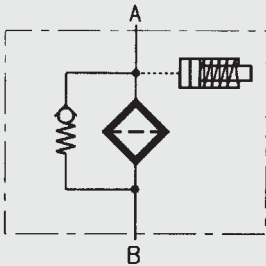
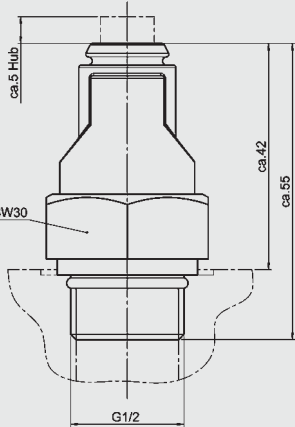
Type of indication	Visual, red pin and electrical switch 1 switching contact at 100% of the pressure setting
Weight	350 g
Pressure setting or indication range	2 bar – 10% 5 bar – 10% 8 bar – 10%
Permitt. operating pressure	420 bar
Permitt. temperature range	-10 °C to +100 °C
Thread	G 1/2
Max. torque value	50 Nm
Switching type	N/C or N/O contacts Reed contacts (change-over contacts)
Max. switching voltage	24V
Electrical connection	Male connection M12 x 1
Max. switching voltage at resistive load	15 W = max. 15 VA ~
Switching capacity	ohmic 1 A at 15 V = ohmic 1 A at 15 V ~
Protection class to DIN 40050	IP 65
Order example	VD 5 LEM.0




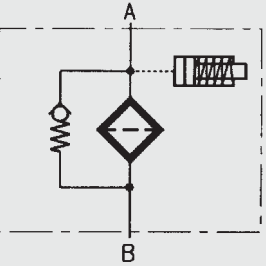
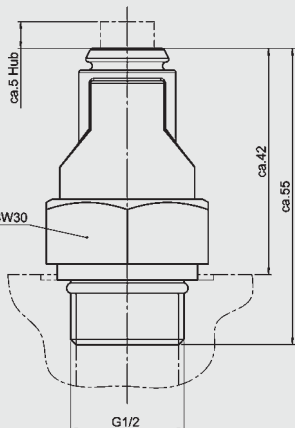
3.5 INDICATORS IN ACCORDANCE WITH ATEX DIRECTIVE

3.5.1 RETURN LINE


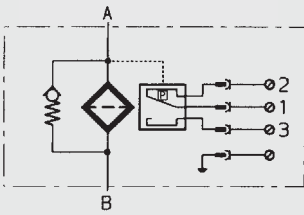
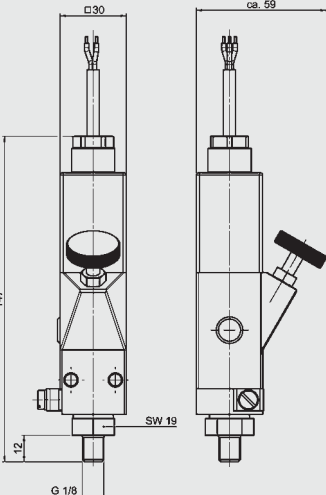
VR x B.x (ATEX) Can be used on aluminium filters up to Zone 1

 	Type of indication	visual, red pin	
	Weight	44 g	
	Pressure setting or indication range	2 bar - 0.2 bar	
	Permitt. operating pressure	7 bar	
	Permitt. temperature range	-30 °C to +100 °C	
	Thread	G 1/2	
	Max. torque	15 Nm	
	Switching type	-	
	Max. switching voltage	-	
	Electrical connection	-	
	Max. switching voltage at resistive load	-	
	Switching capacity	-	
	Protection class to DIN 40050	-	
	Order example	VR 2 B.0 /-2GC	

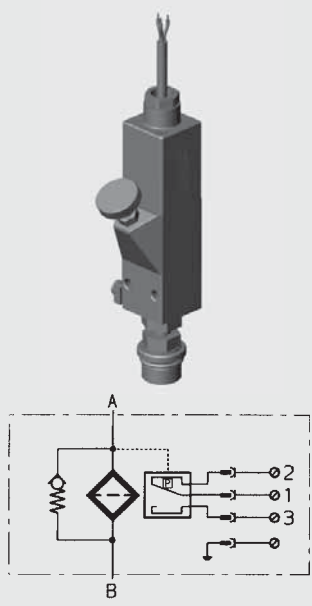
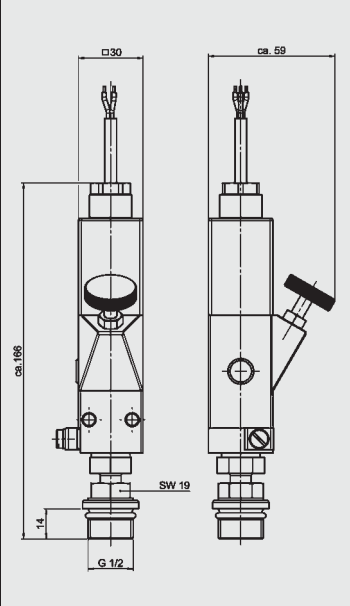
VR x B.x (ATEX) Can be used on steel/cast iron filters up to Zone 1

 	Type of indication	visual, red pin	
	Weight	44 g	
	Pressure setting or indication range	2 bar - 0.2 bar	
	Permitt. operating pressure	7 bar	
	Permitt. temperature range	-30 °C to +100 °C	
	Thread	G 1/2	
	Max. torque	15 Nm	
	Switching type	-	
	Max. switching voltage	-	
	Electrical connection	-	
	Max. switching voltage at resistive load	-	
	Switching capacity	-	
	Protection class to DIN 40050	-	
	Order example	VR 2 B.0 /-2GC-SO174	

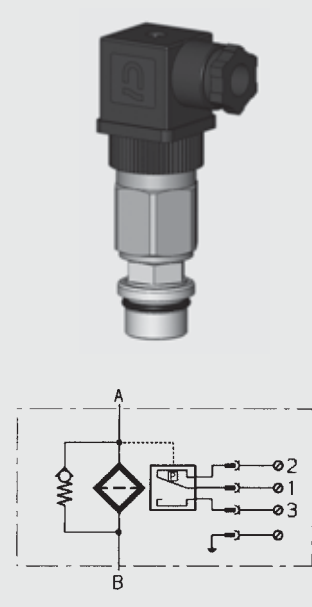
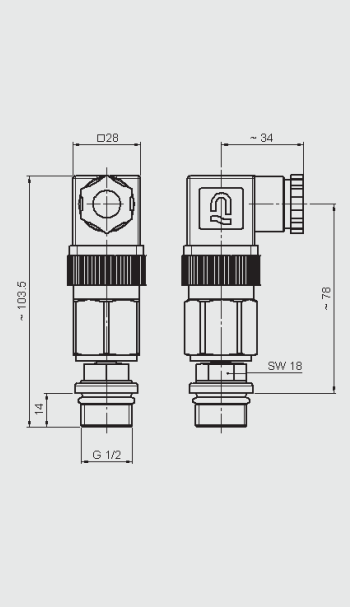
VMF x C.x /-Ex2G

 	Type of indication	electrical switch	
	Weight	270 g	
	Pressure setting or indication range	2 bar ± 0.3 bar	
	Permitt. operating pressure	200 bar	
	Permitt. temperature range	-10 °C to +100 °C	
	Thread	G 1/8	
	Max. torque	15 Nm	
	Switching type	N/C or N/O (change-over contacts)	
	Max. switching voltage	250 V	
	Electrical connection	Cable connection PG 9 Cable length 2 m	
	Max. switching voltage at resistive load	62.5 W = 250 VA ~	
	Switching capacity	Ohmic 0.25 A at 250 V = Ohmic 1 A at 250 V ~	
	Protection class to DIN 40050	Ex II 2G EEx d IIC T6 / T5	
	Order example	VMF 2 C.0 /-Ex2G	

VR x C.x /-Ex2G

	Type of indication	electrical switch	
	Weight	340 g	
	Pressure setting or indication range	2 bar ± 0.3 bar	
	Permitt. operating pressure	40 bar	
	Permitt. temperature range	-10 °C to +100 °C	
	Thread	G 1/2	
	Max. torque	30 Nm	
	Switching type	N/C or N/O (change-over contacts)	
	Max. switching voltage	250 V	
	Electrical connection	Cable connection PG 9 Cable length 2 m	
	Max. switching voltage at resistive load	62.5 W = 250 VA ~	
	Switching capacity	Ohmic 0.25 A at 250 V = Ohmic 1 A at 250 V ~	
	Protection class to DIN 40050	Ex II 2G Ex d IIC T6 / T5	
Order example	VR 2 C.0 /-Ex2G		

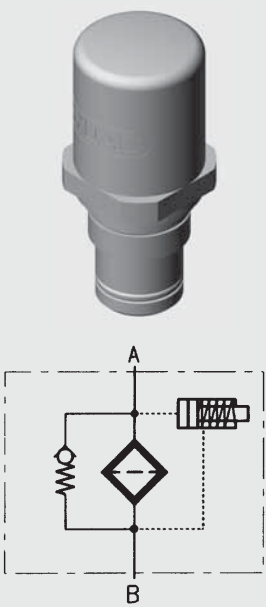
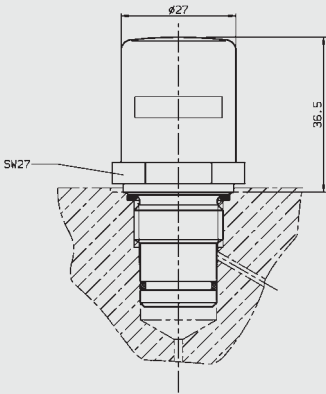
VR x C.x (ATEX) Can be used on filters up to Zone 1 *

	Type of indication	electrical switch	
	Weight	340 g	
	Pressure setting or indication range	2 bar ± 0.3 bar	
	Permitt. operating pressure	40 bar	
	Permitt. temperature range	-30 °C to +100 °C	
	Thread	G 1/2	
	Max. torque	30 Nm	
	Switching type	N/C or N/O (change-over contacts)	
	Max. switching voltage	*	
	Electrical connection	Male connection M20 Female connector to DIN 43650	
	Max. switching voltage at resistive load	*	
	Switching capacity	*	
	Protection class to DIN 40050	IP 65 (only if the connector is wired and fitted correctly)	
Order example	VR 2 C.1 /-2GBC		

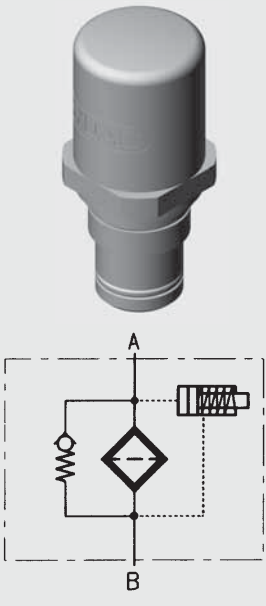
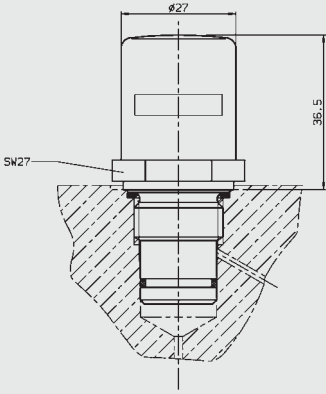
* The clogging indicator is simple electrical operating equipment according to DIN EN 60079-14 and may only be used in intrinsically safe circuits (supplied with manufacturer's declaration and operating instructions).

3.5.2 DIFFERENTIAL PRESSURE

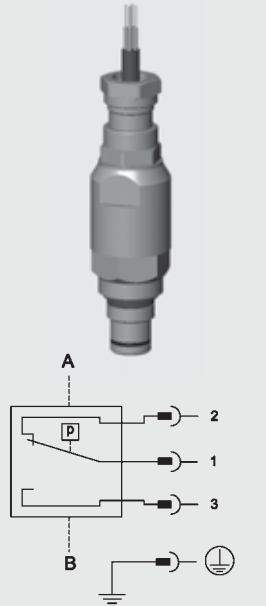
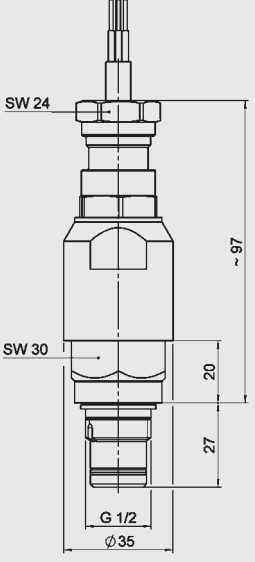
VM x B.x (ATEX) Can be used on aluminium filters up to Zone 1

	Type of indication	Visual, red/green band Automatic reset	
	Weight	110 g	
	Pressure setting or indication range	5 bar - 10% 8 bar ± 10%	
	Permitt. operating pressure	210 bar	
	Permitt. temperature range	-30 °C to +100 °C	
	Thread	G 1/2	
	Max. torque value	33 Nm	
	Switching type	-	
	Max. switching voltage	-	
	Electrical connection	-	
	Max. switching voltage at resistive load	-	
	Switching capacity	-	
	Protection class to DIN 40050	-	
	Order example	VM 5 B.1 /-2GC	

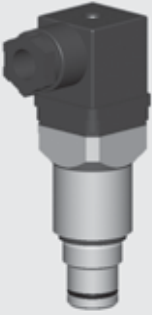
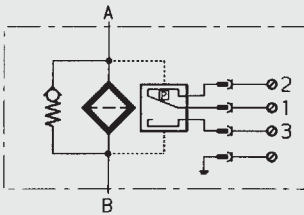
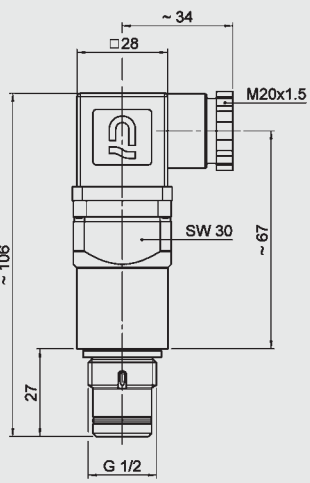
VD x B.x (ATEX) Can be used on filters up to Zone 1

	Type of indication	Visual, red/green band Automatic reset	
	Weight	110 g	
	Pressure setting or indication range	5 bar - 10% 8 bar ± 10%	
	Permitt. operating pressure	420 bar	
	Permitt. temperature range	-30 °C to +100 °C	
	Thread	G 1/2	
	Max. torque value	100 Nm	
	Switching type	-	
	Max. switching voltage	-	
	Electrical connection	-	
	Max. switching voltage at resistive load	-	
	Switching capacity	-	
	Protection class to DIN 40050	-	
	Order example	VD 5 B.1 /-2GC	

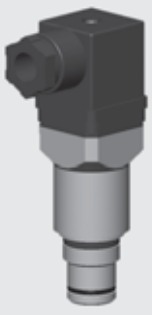
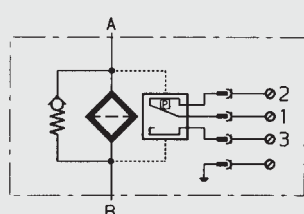
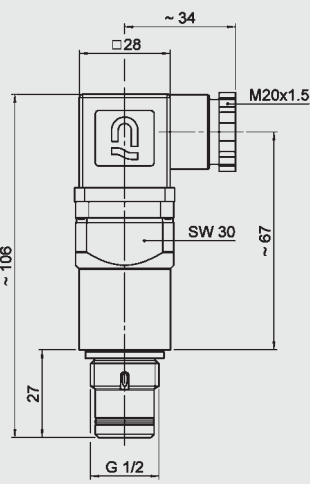
VD x C.x /-2GEXDIIC

	Type of indication	electrical switch	
	Weight	from 600 g	
	Pressure setting or indication range	2 bar - 10% 5 bar - 10% 8 bar ± 10%	
	Permitt. operating pressure	420 bar	
	Permitt. temperature range	-20 °C to +60 °C	
	Thread	G 1/2	
	Max. torque value	100 Nm	
	Switching type	Change-over	
	Max. switching voltage	250 V	
	Electrical connection	Cable connection	
	Max. switching voltage at resistive load	60 W = 100 VA ~	
	Switching capacity	ohmic 3 A at 24 V = ohmic 0.03 A to 5 A at 250 V ~	
	Protection class to DIN 40050	IP 66	
	Order example	VD 2 C.1 /-2GEXDIIC	

VM x C.x (ATEX) Can be used on aluminium filters up to Zone 1 *

 	Type of indication	electrical switch	
	Weight	120 g	
	Pressure setting or indication range	2 bar - 10% 5 bar - 10% 8 bar ± 10%	
	Permitt. operating pressure	210 bar	
	Permitt. temperature range	-30 °C to +100 °C	
	Thread	G 1/2	
	Max. torque value	33 Nm	
	Switching type	N/C or N/O (change-over contacts)	
	Max. switching voltage	*	
	Electrical connection	Male connection M20 Female connector to DIN 43650	
	Max. switching voltage at resistive load	*	
	Switching capacity	*	
	Protection class to DIN 40050	IP 65 (only if the connector is wired and fitted correctly)	
Order example	VM 5 C.0 /-2GBC-SO135		

VD x C.x (ATEX) Can be used on filters up to Zone 1 *

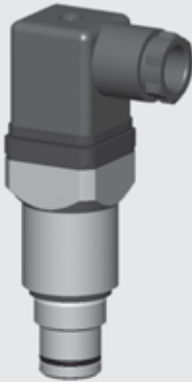
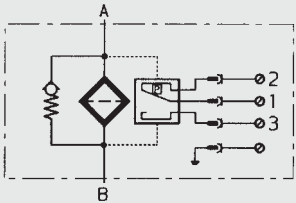
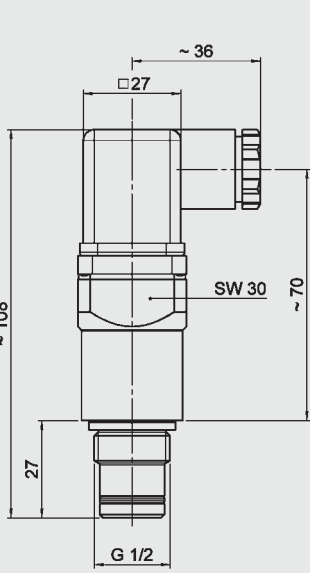
 	Type of indication	electrical switch	
	Weight	120 g	
	Pressure setting or indication range	2 bar - 10% 5 bar - 10% 8 bar ± 10%	
	Permitt. operating pressure	420 bar	
	Permitt. temperature range	-30 °C to +100 °C	
	Thread	G 1/2	
	Max. torque value	100 Nm	
	Switching type	N/C or N/O (change-over contacts)	
	Max. switching voltage	*	
	Electrical connection	Male connection M20 Female connector to DIN 43650	
	Max. switching voltage at resistive load	*	
	Switching capacity	*	
	Protection class to DIN 40050	IP 65 (only if the connector is wired and fitted correctly)	
Order example	VD 5 C.0 /-2GBC-SO135		

* The clogging indicator is simple electrical operating equipment according to DIN EN 60079-14 and may only be used in intrinsically safe circuits (supplied with manufacturer's declaration and operating instructions).

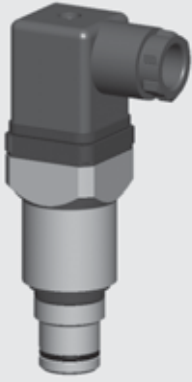
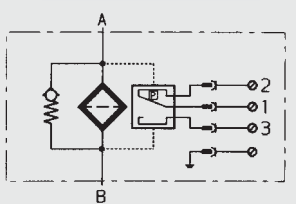
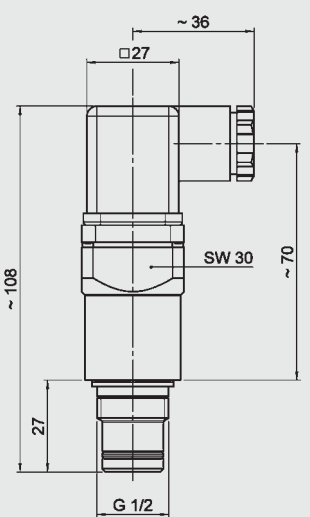
3.6 INDICATORS WITH UL OR CSA APPROVAL

3.6.1 DIFFERENTIAL PRESSURE

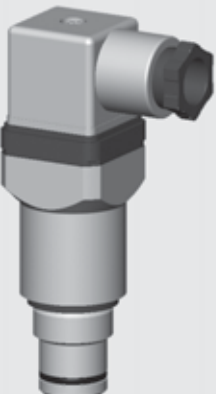
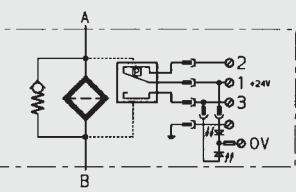
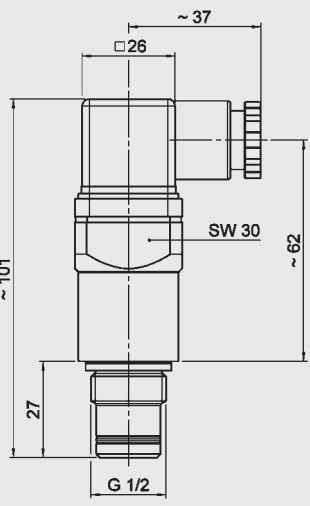
VM x C.x (UL)

 	Type of indication	electrical switch	
	Weight	120 g	
	Pressure setting or indication range	2 bar - 10% 5 bar - 10% 8 bar ± 10%	
	Permitt. operating pressure	210 bar	
	Permitt. temperature range	-30 °C to +100 °C	
	Thread	G 1/2	
	Max. torque value	33 Nm	
	Switching type	N/C or N/O (change-over contacts)	
	Max. switching voltage	115 V	
	Electrical connection	Male connection M20 Female connector to DIN 43650	
	Max. switching voltage at resistive load	60 W = 100 VA ~	
	Switching capacity	ohmic 3 A at 24 V =	
	Protection class to DIN 40050	IP 65 (only if the connector is wired and fitted correctly)	
	Order example	VM 5 C.0 /-CRUUS	

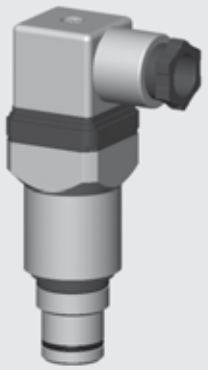
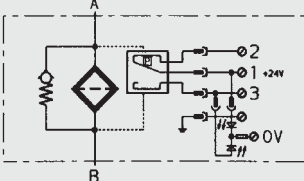
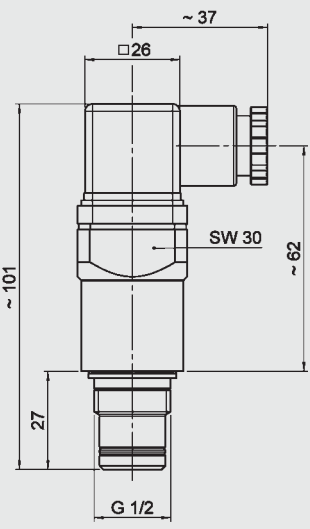
VD x C.x (UL)

 	Type of indication	electrical switch	
	Weight	120 g	
	Pressure setting or indication range	2 bar - 10% 5 bar - 10% 8 bar ± 10%	
	Permitt. operating pressure	420 bar	
	Permitt. temperature range	-30 °C to +100 °C	
	Thread	G 1/2	
	Max. torque value	100 Nm	
	Switching type	N/C or N/O (change-over contacts)	
	Max. switching voltage	115 V	
	Electrical connection	Male connection M20 Female connector to DIN 43650	
	Max. switching voltage at resistive load	60 W = 100 VA ~	
	Switching capacity	ohmic 3 A at 24 V =	
	Protection class to DIN 40050	IP 65 (only if the connector is wired and fitted correctly)	
	Order example	VD 5 C.0 /-CRUUS	

VM x D.x /-L... (UL)

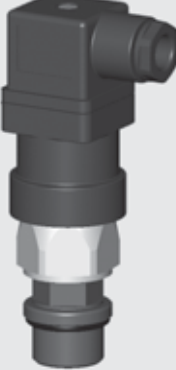
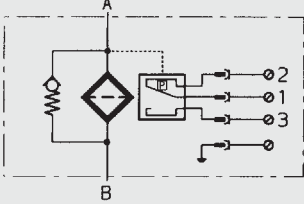
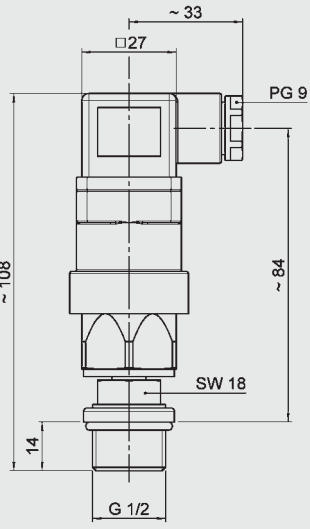
 	Type of indication	visual indicator and electrical switch	
	Weight	150 g	
	Pressure setting or indication range	2 bar - 10% 5 bar - 10% 8 bar ± 10%	
	Permitt. operating pressure	210 bar	
	Permitt. temperature range	-30 °C to +100 °C	
	Thread	G 1/2	
	Max. torque value	33 Nm	
	Switching type	N/C or N/O (change-over contacts)	
	Max. switching voltage	24, 48, 110 V depending on the type of light insert	
	Electrical connection	Male connection M20 Female connector to DIN 43650	
	Max. switching voltage at resistive load	60 W = 100 VA ~	
	Switching capacity	ohmic 3 A at 24 V =	
	Protection class to DIN 40050	IP 65 (only if the connector is wired and fitted correctly)	
	Order example	VM 5 D.0 /-L24-CRUUS	

VD x D.x /-L... (UL)

 	Type of indication	visual indicator and electrical switch	
	Weight	250 g	
	Pressure setting or indication range	5 bar - 10% 8 bar ± 10%	
	Permitt. operating pressure	420 bar	
	Permitt. temperature range	-30 °C to +100 °C	
	Thread	G 1/2	
	Max. torque value	100 Nm	
	Switching type	N/C or N/O (change-over contacts)	
	Max. switching voltage	24, 48, 110 V depending on the type of light insert	
	Electrical connection	Male connection M20 Female connector to DIN 43650	
	Max. switching voltage at resistive load	60 W = 100 VA ~	
	Switching capacity	ohmic 3 A at 24 V =	
	Protection class to DIN 40050	IP 65 (only if the connector is wired and fitted correctly)	
Order example	VD 5 D.0 /-L24-CRUUS		

3.6.2 RETURN LINE

VR x C.x (CSA)

 	Type of indication	electrical switch	
	Weight	340 g	
	Pressure setting or indication range	2 bar – 0.3 bar	
	Permitt. operating pressure	40 bar	
	Permitt. temperature range	-30 °C to +100 °C	
	Thread	G 1/2	
	Max. torque value	30 Nm	
	Switching type	N/C or N/O, (change-over contacts)	
	Max. switching voltage	230 V	
	Electrical connection	Male connection PG 9 Female connector to DIN 43650	
	Max. switching voltage at resistive load	250 W = 300 VA ~	
	Switching capacity	ohmic 4 A at 24 V ohmic 0.3 to 4 A at max. 230 V ~	
	Protection class to DIN 40050	IP 65 (only if the connector is wired and fitted correctly)	
Order example	VR 2 C.0 /-CSA		

4. MODEL CODE

VR 2 D . X /-V-L24

4.1 STANDARD CLOGGING INDICATORS

Typ

- VMF return line indicator; connection G 1/8
- VR return line indicator; connection G 1/2
- VRD return line indicator; for differential pressure cavity
- VM differential pressure indicator; up to 210 bar operating pressure
- VD differential pressure indicator; up to 420 bar operating pressure
- VL differential pressure indicator; up to 25 bar operating pressure
- V02 differential pressure indicator; piped separately; up to 160 bar operating pressure

Pressure setting

see particular clogging indicator

Type

- B visual with automatic reset
- BF visual, mobile
- BM visual with manual reset
- C electrical
- CA electrical with AMP plug (Mark II)
- CD electrical with Deutsch plug (DT 04-2P)
- CJ electrical with Junior Power Timer
- CM electrical with M12x1 plug
- D visual/electrical
- E pressure gauge, horizontal
- ES pressure gauge, vertical
- F pressure switch
- FD pressure switch with Deutsch plug (DT 04-2P)
- GC electronic
- GW electronic
- H pressure switch
- K pressure gauge, horizontal
- LE visual-mechanical indicator with 100% switching contact
- LEM visual-mechanical indicator with 100% switching contact and M12x1 plug
- LZ visual mechanical with 75% and 100% switching contact
- M electrical, ground switching
- R pressure gauge, horizontal
- UBM visual, vacuum
- UE vacuum pressure gauge, horizontal
- UF vacuum switch
- V visual/analogue
- VE visual/analogue with 100% switching contact
- VZ visual/analogue with 75% and 100% switching contact

Modification number

- X the latest version is always supplied

Supplementary details

- 30C cold start suppression of switching outputs up to 30 °C ±5 °C
(only for C, D, LZ indicators; DC voltage supply only – max. 24 Volt;
C and D indicators only for VD and VM; on D and LZ indicators, contacts must be wired N/O only)
- L... light with corresponding voltage (24, 48, 110, 230 Volt)] only for
- LED 2 LEDs up to 24 Volt] type "D"
- OE N/C function
- SO135 indicator suitable for PLC controls due to Gold-Crosspoint contacts
- W suitable for oil/water emulsions (HFA, HFC)
- V seal in Viton (FPM), suitable for phosphate esters (HFD-R) and biodegradable oils
(**must be specified for type "GW"**)

Supplementary details for "GC" type

- 113 N/O function pressure peak suppression up to 10 sec.
cold start suppression of switching outputs
(PNP technique, positive switching) up to 25 °C] **Must be specified!**
Others on request
- 123 N/C function pressure peak suppression up to 10 sec.
cold start suppression of switching outputs
(PNP technique positive switching) up to 25 °C]
- 30C cold start suppression of switching outputs up to 30 °C (other temperatures on request)
- LED 3 LED's (green, yellow, red) in terminal box
- PF floating switching outputs (due to relay in the plug)
- SP analogue signal: voltage output 1-10 V] if SP or SQ are not specified
- SQ analogue signal: voltage output 4...20 mA (current source)] "current sink" model supplied

Supplementary details for "GW" type

- 113 N/O function pressure peak suppression up to 10 sec.
cold start suppression of switching outputs
(PNP technique, positive switching) up to 25 °C] **Must be specified!**
Others on request
- 123 N/C function pressure peak suppression up to 10 sec.
cold start suppression of switching outputs
(PNP technique positive switching) up to 25 °C]

Supplementary details for "LZ" type

- AV plug and connector to AUDI, VW specification
- BO plug and connector to BMW, Opel, Ford specification
- BO-LEDas for BO, but with progressive LED strip
- CN electrical connection, 1 connector DIN 43651 with 3 LEDs (to CNOMO specification NF E 48-700)
- DB electrical connection, 1 connector to DIN 43651 with 3 LEDs (to Daimler-Benz and BMW specification)
- D4C plug and connector to Daimler-Chrysler specification with cold start suppression 30 °C

Supplementary details to "ATEX" type


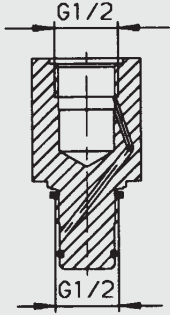

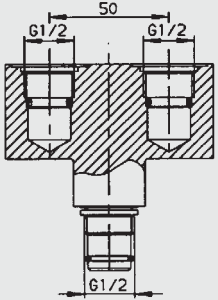

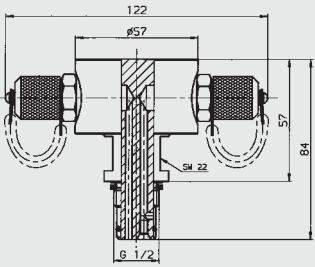

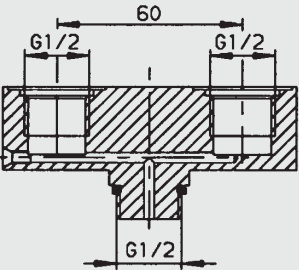

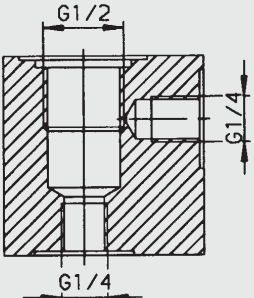
- 2GC for visual indicator type "B" with ATEX certificate
- 2GBC for electrical indicator type "C" with ATEX certificate (the switch used in the indicator is a passive component according to EN 50020 and can therefore be used in intrinsically safe circuits as simple apparatus in accordance with EN 60079-14)
- 2GEXDIIC for electrical indicator suitable for use in Zone 1 (Category 2), gas atmosphere, Category d (Flameproof Enclosure), Explosive subdivision IIC to ATEX directive
- EX2G Ex-protection type for the return line indicator type "C"


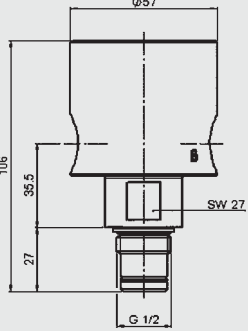
Supplementary details for "UL" and "CSA" approval

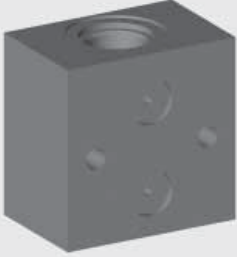
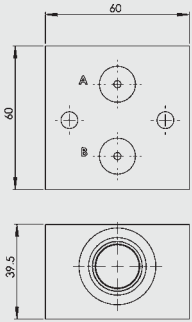
- CRUUS for electrical differential indicator type "C" or visual/electrical indicator type "D" with UL approval
- CSA for electrical return line indicator type "C" with CSA approval

5. ADAPTERS

5.1 TYPES

	<table border="1"> <tr> <td>Designation</td> <td>ADAPTER VD-D-S.0</td> </tr> <tr> <td>Part no.</td> <td>00318736</td> </tr> <tr> <td>Description</td> <td>Extending adapter for differential pressure cavity to HYDAC works standard HN 28-22</td> </tr> </table>	Designation	ADAPTER VD-D-S.0	Part no.	00318736	Description	Extending adapter for differential pressure cavity to HYDAC works standard HN 28-22	
Designation	ADAPTER VD-D-S.0							
Part no.	00318736							
Description	Extending adapter for differential pressure cavity to HYDAC works standard HN 28-22							
	<table border="1"> <tr> <td>Designation</td> <td>ADAPTER VD-D+D-S+S.0</td> </tr> <tr> <td>Part no.</td> <td>00318732</td> </tr> <tr> <td>Description</td> <td>Y-adapter to convert 1 differential pressure cavity into 2 differential pressure cavities according to HYDAC works standard HN 28-22. Swivel-type on request!</td> </tr> </table>	Designation	ADAPTER VD-D+D-S+S.0	Part no.	00318732	Description	Y-adapter to convert 1 differential pressure cavity into 2 differential pressure cavities according to HYDAC works standard HN 28-22. Swivel-type on request!	
Designation	ADAPTER VD-D+D-S+S.0							
Part no.	00318732							
Description	Y-adapter to convert 1 differential pressure cavity into 2 differential pressure cavities according to HYDAC works standard HN 28-22. Swivel-type on request!							
	<table border="1"> <tr> <td>Designation</td> <td>ADAPTER VD-1/4+1/4-W+W.0 /-00404337</td> </tr> <tr> <td>Part no.</td> <td>00404337</td> </tr> <tr> <td>Description</td> <td>Test adapter for different pressure cavity according to HYDAC works standard HN 28-22. To test the pressure before and after the filter element. Also available without minimess couplings (on request)!</td> </tr> </table>	Designation	ADAPTER VD-1/4+1/4-W+W.0 /-00404337	Part no.	00404337	Description	Test adapter for different pressure cavity according to HYDAC works standard HN 28-22. To test the pressure before and after the filter element. Also available without minimess couplings (on request)!	
Designation	ADAPTER VD-1/4+1/4-W+W.0 /-00404337							
Part no.	00404337							
Description	Test adapter for different pressure cavity according to HYDAC works standard HN 28-22. To test the pressure before and after the filter element. Also available without minimess couplings (on request)!							
	<table border="1"> <tr> <td>Designation</td> <td>ADAPTER VR-R+R-S+S.0</td> </tr> <tr> <td>Part no.</td> <td>00318741</td> </tr> <tr> <td>Description</td> <td>Y-adapter to convert 1 return line cavity into 2 return line cavities (G 1/2) Swivel-type on request!</td> </tr> </table>	Designation	ADAPTER VR-R+R-S+S.0	Part no.	00318741	Description	Y-adapter to convert 1 return line cavity into 2 return line cavities (G 1/2) Swivel-type on request!	
Designation	ADAPTER VR-R+R-S+S.0							
Part no.	00318741							
Description	Y-adapter to convert 1 return line cavity into 2 return line cavities (G 1/2) Swivel-type on request!							
	<table border="1"> <tr> <td>Designation</td> <td>ADAPTER V 1/4 I-D-S.0</td> </tr> <tr> <td>Part no.</td> <td>00318730</td> </tr> <tr> <td>Description</td> <td>Connection adapter for piping clogging indicators separately with differential pressure cavity according to HYDAC works standard HN 28-22. Two connections G 1/4 (one before and one after the filter element)</td> </tr> </table>	Designation	ADAPTER V 1/4 I-D-S.0	Part no.	00318730	Description	Connection adapter for piping clogging indicators separately with differential pressure cavity according to HYDAC works standard HN 28-22. Two connections G 1/4 (one before and one after the filter element)	
Designation	ADAPTER V 1/4 I-D-S.0							
Part no.	00318730							
Description	Connection adapter for piping clogging indicators separately with differential pressure cavity according to HYDAC works standard HN 28-22. Two connections G 1/4 (one before and one after the filter element)							

	Designation	ADAPTER VD-D+1/4+1/4-S+W+W.0	
	Part no.	00318744	
	Description	Extending adapter for differential pressure cavity according to HYDAC works standard HN 28-22. Also two connections, one before and one after the filter element.	

	Designation	ADAPTER VF-D-S.0 /-RT	
	Part no.	On request	
	Description	only for the following filters: LFR, LPFR, MDFR, RFLR, RFMR, RKMR, SFFR	

5.2 MODEL CODEL (= EXAMPLE)

ADAPTER VD-D+1/4+1/4-S+W+W.X /-ESB

Connection

- VD differential pressure indicator; connection G 1/2
- VR return line indicator; connection G 1/2
- V1/4 differential pressure indicator; connection G 1/4 internal
- VF differential pressure indicator; flange type

Ports (several ports are possible!)

- D differential pressure cavity G 1/2
- R return line cavity G 1/2
- MF cavity for pressure gauge and pressure switch
- 1/4 cavity G 1/4 for Minimes test points (M16 x 1.5)
- 1/8 cavity G 1/8 for Minimes test points (plug-in connection)

Orientation of the ports

- S vertical
- W horizontal

Type code

- X the latest version is always supplied

Supplementary details

- ESB swivel type
- V seal in Viton (FPM), suitable for phosphate ester (HFD-R) and biodegradable oils

port 1

port 2

port 3

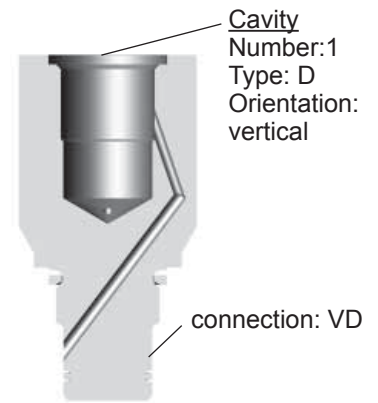
port 1

port 2

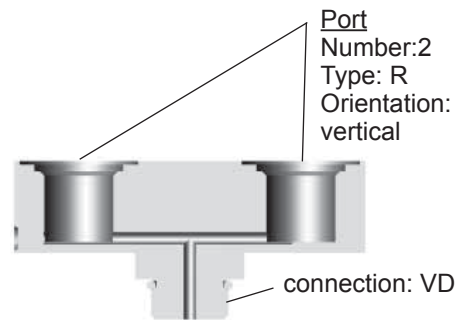
port 3

5.3 OTHER EXAMPLES

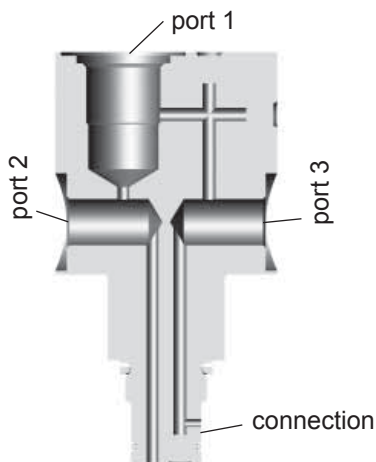
VD-D-S.0



VR-R+R-S+S.0



VD-D+1/4+1/4-S+W+W.0

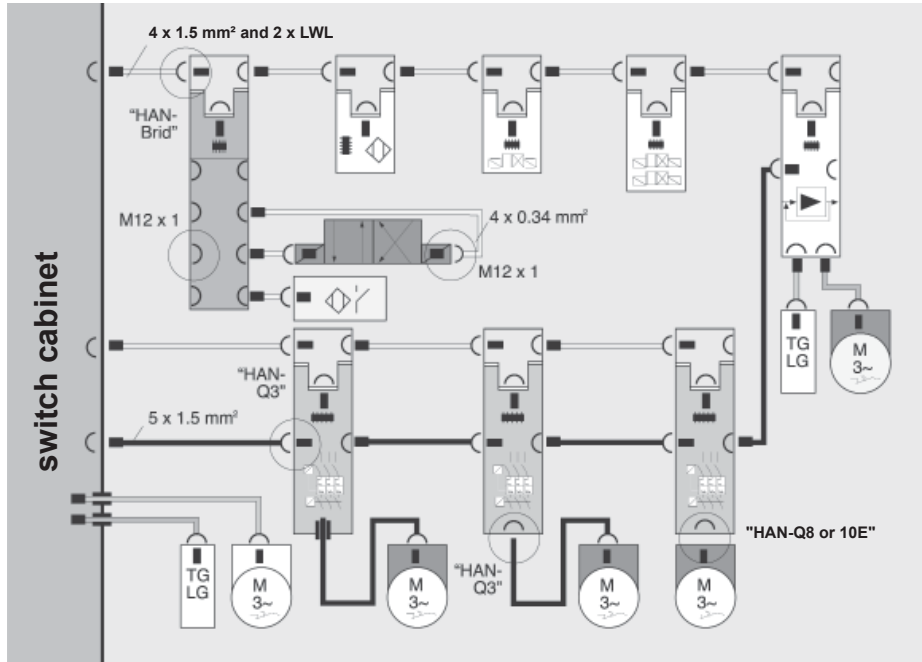


6. DESINA SPECIFICATION

DESINA is a fully comprehensive system intended to bring standardization and decentralization to the field of fluid technology and to electrical installation of machinery and systems. The system engineering, automotive and supply industries have worked together to draw up specifications of the necessary components. DESINA makes use of tried-and-tested solutions, such as open bus systems, standard industrial plugs etc.

By standardizing components, interfaces and connection systems, such as a hybrid field bus cable (Cu/LWL), a wide range of different field bus systems can be made compatible on a single physical base.

6.1. TOTAL CONCEPT FOR MACHINE TOOL INSTALLATION



6.2. CLOGGING INDICATORS

The following clogging indicators are approved to DESINA specification:

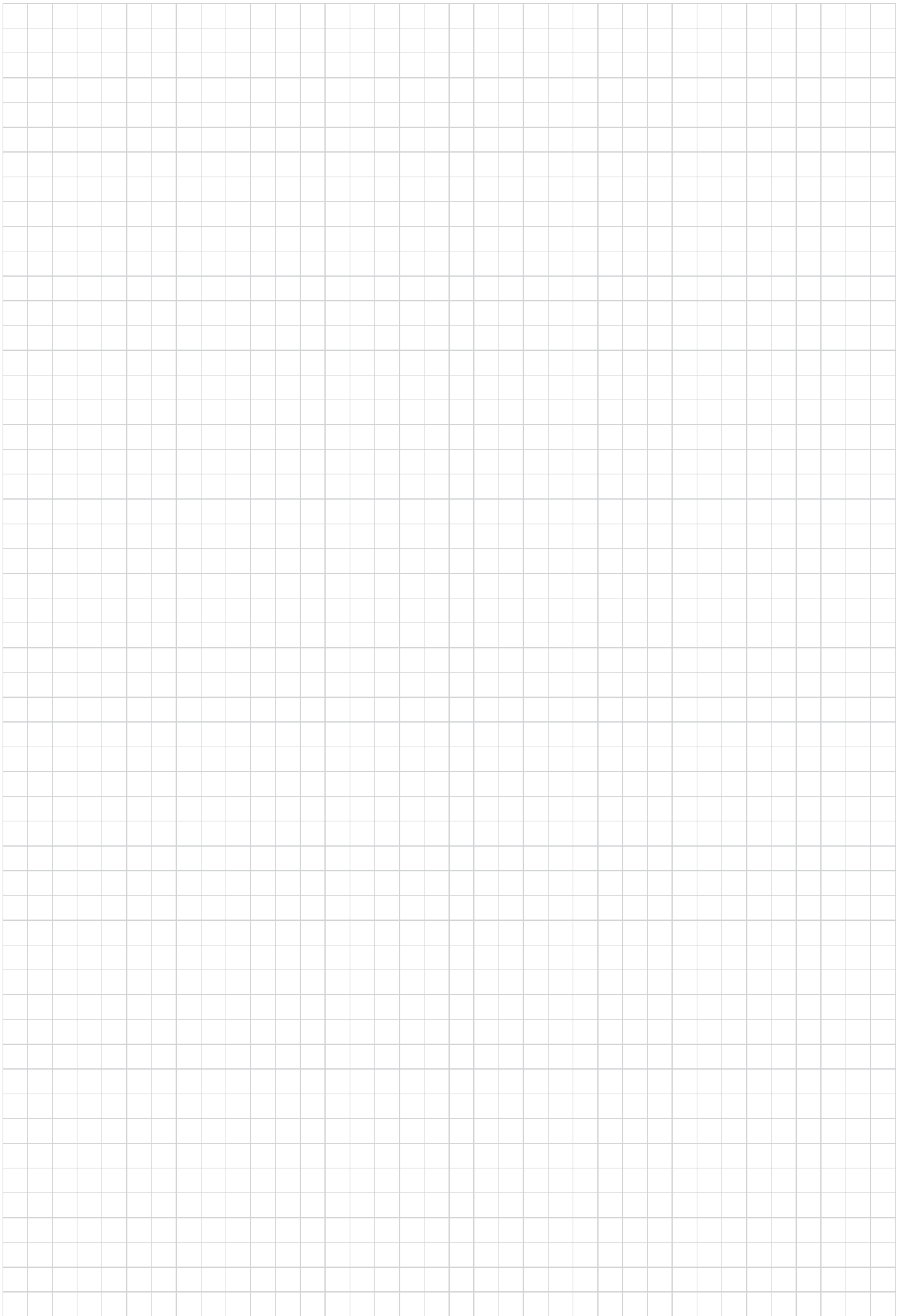
- VD 5 LZ.1 /-D4C
- VR 2.5 LZ. 1 /-D4C
- VD 5 LZ.1 /-BO
- VR 2.5 LZ. 1 /-BO
- VD 5 LZ. 1 /-AV
- VR 2.5 LZ. 1 /-AV
- VR 2.5 LZ. 0 /-GM

all with M 12 x 1 connector!



DESINA

The DESINA logo is shown on the type code label of approved clogging indicators.



NOTE

The information in this brochure relates to the operating conditions and applications described.

For applications or operating conditions not described, please contact the relevant technical department.

Subject to technical modifications.

HYDAC FILTERTECHNIK GMBH

Industriegebiet

D-66280 Sulzbach/Saar

Tel.: 0 68 97 / 509-01

Fax: 0 68 97 / 509-300

Internet: www.hydac.com

E-Mail: filter@hydac.com

HYDAC INTERNATIONAL

**Breathers and
Filler Breathers**



Your Professional Partner for Breathers and Filler Breathers.

HYDAC Quality.

HYDAC filtration technology is the culmination of rigorous laboratory testing as well as practical field-testing. It offers a complete range of filters for liquid and gaseous media. The HYDAC Filter Division manufactures products tailored to market requirements and to the highest quality standards, backed by modern machinery and a large production capacity. HYDAC Filtration Technology is based on intensive basic research, technical problem solving, specific customer requirements, and international standardization.

HYDAC Products.

Our wide range of products, combined with our expertise in development, manufacturing, sales and service enables the widest range of requirements to be met worldwide.

Our quality and environment certification to ISO 9001/2000 and ISO 14001 denote first class quality and responsible management of our resources.

System solutions. One supplier. One contact.

Wherever you need us, we are there to help you find the most effective solution – for every application, from components to a complete system.

HYDAC is represented in all industries.

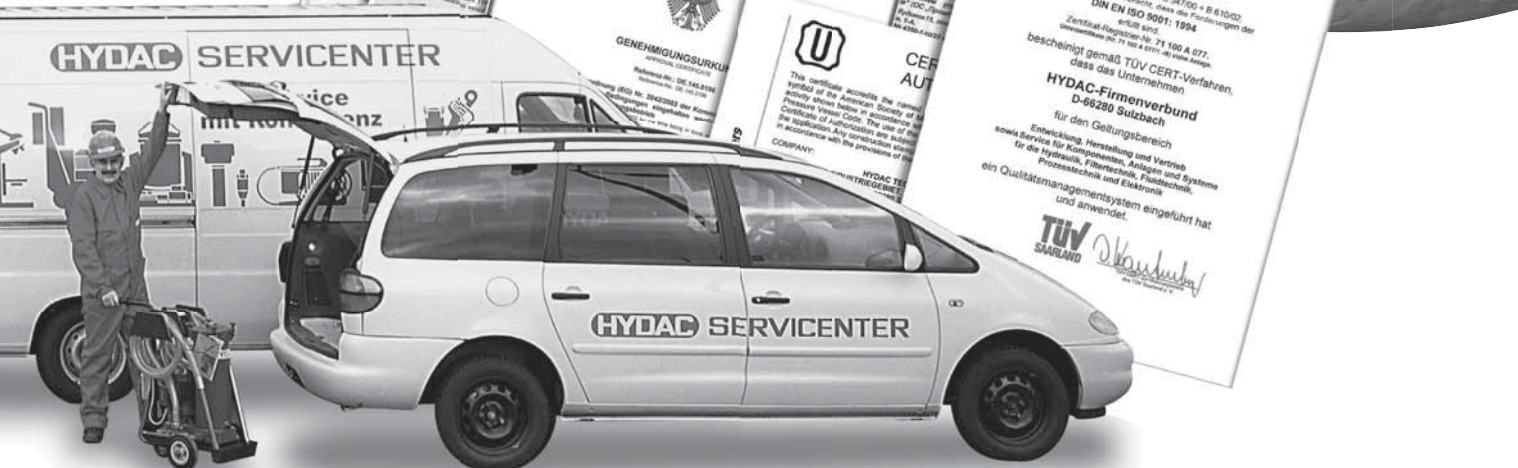
For more than 40 years and with over 5,000 employees, 40 overseas subsidiaries and over 500 sales and service partners worldwide, we are in close contact with our customers, providing engineering advice, production, installation and service. Core industries include:

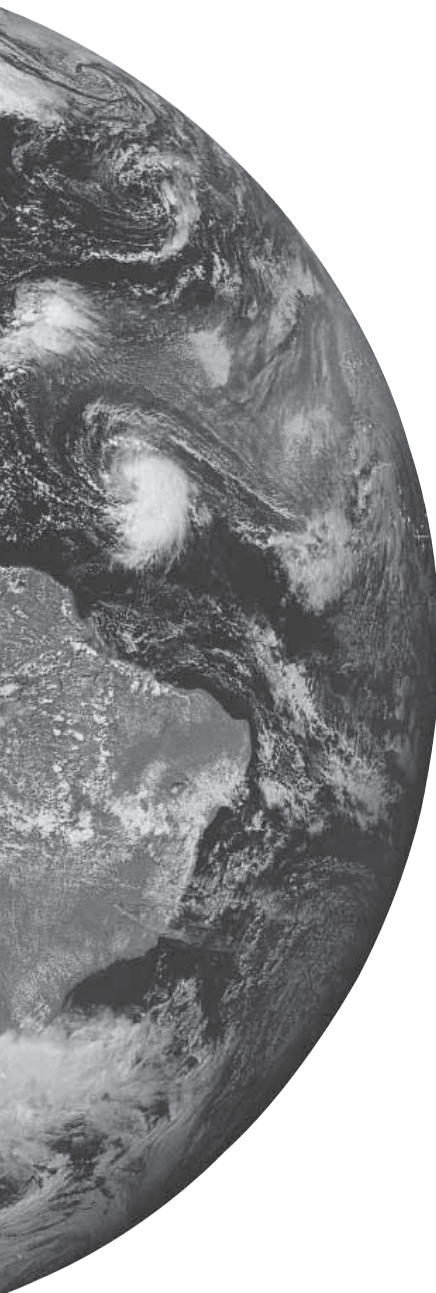
Mobile Hydraulics:

- Construction Machinery
- Agricultural Machinery
- Municipal Machines
- Fork Lifts
- Mining Machinery

Industrial Hydraulics:

- Machine Tools
- Injection Moulding Machines
- Paper Industry
- Power Plant Technology
- Mining
- Automotive Industry
- Iron/Steel/Metal Production
- Oil and Gas Industry
- Wind Energy





The importance of top quality air filters.

Air filters are an essential component of every hydraulic system. They guarantee that the air drawn into the tank as a result of fluctuations in the oil level is filtered reliably.

Very often too little attention is paid to air filters, with disastrous consequences. They are seen as mass-produced items and are selected purely on price. This misapprehension can lead to inefficiency in the system and even to failure of components.

By using first class, cost-effective HYDAC breather filters, contamination is prevented from entering the system from the air – which means:
Longer life expectancy and availability for the whole system.

Top quality filter elements.

HYDAC air filter elements consist of high quality phenolic resin impregnated paper and provide a low-cost, yet very efficient protection against airborne contamination.

In contrast to the foam material elements, phenolic resin impregnated paper is resistant to water and therefore also ensures optimum component protection when water is drawn in.

HYDAC paper elements for air filters have a filtration rating of 3 µm at a separation value of $\beta = 500$. This corresponds to a retention rate of 99.5 % for particles of 2 µm and 100 % for particles of 3 µm.

Recommendations.

Higher specifications for cleanliness of the operating fluid result in increased demands on the filtration concept used. Accordingly, HYDAC recommends selecting an air filter that has at least the same filtration rating as the finest system filter in the hydraulic circuit.

The following changing intervals are recommended:

For air breathers without clogging indicator:

Please change your air filter every 6 months or at every service interval.

For air breathers with clogging indicators:

Please change your air filter at 0.2 pressure drop since a higher pressure drop could lead to cavitation at the pump.

Special features of the filter housing.

The durable HYDAC air filter housings are made from strong metal or glass fibre reinforced polyamide (PA6). They are particularly appropriate for the punishing demands of mobile applications.

Options:

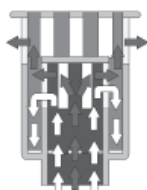
HYDAC's unique anti-splash feature prevents oil from splashing out of the tank via the breather filter (e.g. when the mobile machine is driving mode)
(not available for BF 8 and 9 or BF/ELF 3 and 4).

Visual clogging indicator (available for BF 7, 8 and 9)

Dipstick (only on BF 10, 30)

Integrated check/bypass valve for pressurized tanks (not for BF/ELF 10, 30 and 5)

Custom thread (available on BF 7, 10 and 30) and cap with company logo (available for BF/ELF 7, 10 and 30)



Anti-splash protection



Visual clogging indicator



BF 10
with dipstick



Cap with company name /
company logo



Custom thread

Breather filters and dryers.

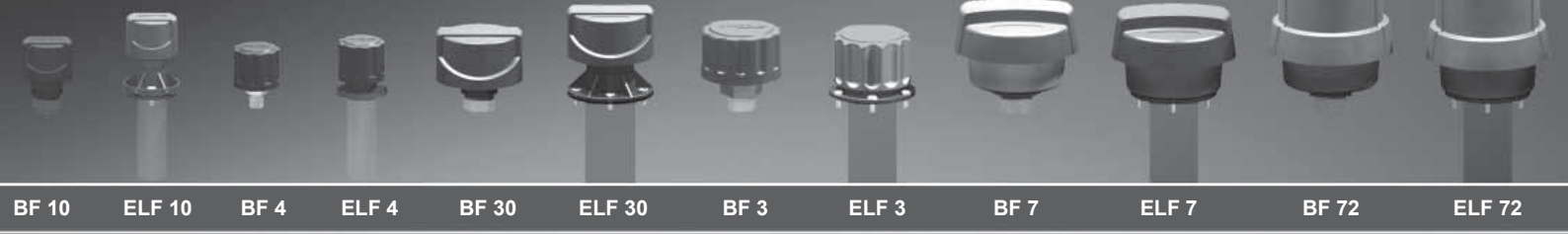
Drymicron breather filters and dryers prevent contamination particles and water vapour from entering the tank (see "Breather Dryer BDL/BDM" and "BDE" sections of the Filter Catalogue).



BDL / BDM



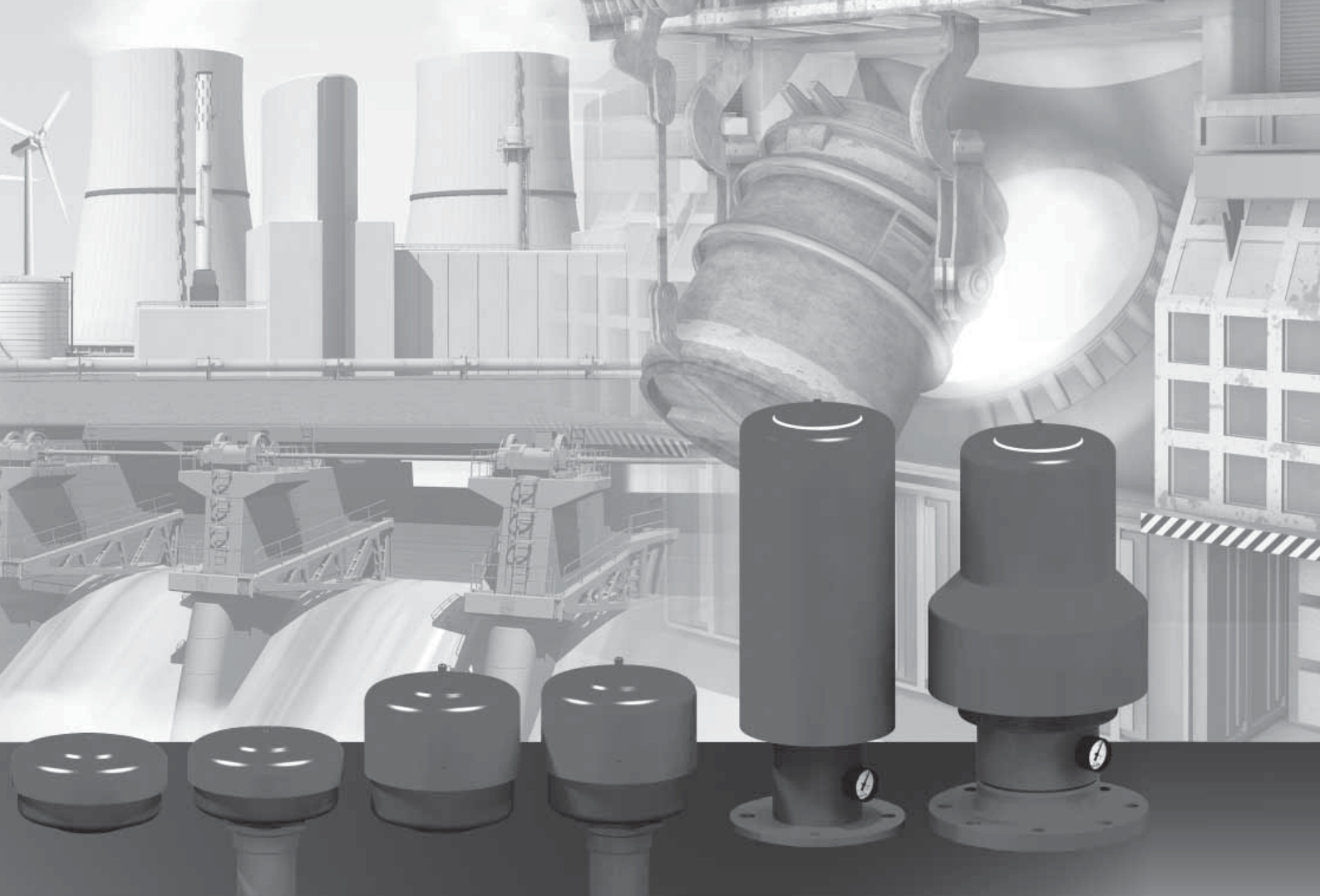
BDE



Technical Details	BF 10	ELF 10	BF 4	ELF 4	BF 30	ELF 30	BF 3	ELF 3	BF 7	ELF 7	BF 72	ELF 72
Litres/min (at $\Delta p = 0.01$ bar)	200	200	125	125	400	400	400	400	1000	1000	1200	1200
Litres/min (at $\Delta p = 0.04$ bar)	380	380	340	340	880	880	880	880	1800	1800	2100	2100
Connection type	Thread	Flange	Thread	Flange	Thread	Flange	Thread	Flange	Thread	Flange	Thread	Flange
Connection size	1/2 NPT, G1/4, M22x1.5, G3/8, SAE-12 male	3 hole flange	G 1/4 male	3 hole flange	G3/4, 3/4 NPT, M30x1.5, SAE-12, M42x2	6 hole flange	G3/4, G1/2 G3/8 male	6 hole flange	3/4 NPT, G1 male, 1 5/16-12 UN	6 hole flange	3/4 NPT, G1 male, 1 5/16-12 UN	6 hole flange
Element media	3 μ m paper	3 μ m paper	3 μ m paper	3 μ m paper	3 μ m paper	3 μ m paper	3 μ m paper	3 μ m paper	3 μ m paper	3 μ m paper	3 μ m paper	3 μ m paper
Replaceable element	No	No	No	No	No	No	No	No	Yes	Yes	Yes	Yes
Material of cap	Polyamide	Polyamide	Steel	Steel	Polyamide	Polyamide	Steel	Steel	Polyamide	Polyamide	Polyamide	Polyamide
Material of strainer	–	Polyamide	–	Polyamide	–	Polyamide	–	Polyamide	–	Polyamide	–	Polyamide
Clogging indicator	–	–	–	–	–	–	–	–	Optional	Optional	Optional	Optional

Options	BF 10	ELF 10	BF 4	ELF 4	BF 30	ELF 30	BF 3	ELF 3	BF 7	ELF 7	BF 72	ELF 72
Check valve	Optional	Optional	–	–	Optional	Optional	Optional	Optional	–	–	–	–
Anti-splash	Optional	Optional	–	–	Optional	Optional	–	–	Optional	Optional	Optional	Optional
Dipstick	Optional	Optional	–	–	Optional	Optional	Optional	Optional	–	–	–	–

For sizes BF/ELF 10 to BF/ELF 72, we recommend sizing the filters according to differential pressure ($\Delta p = 0.01$ bar)!



BF 5

ELF 5

BF 52

ELF 52

BF 8

BF 9

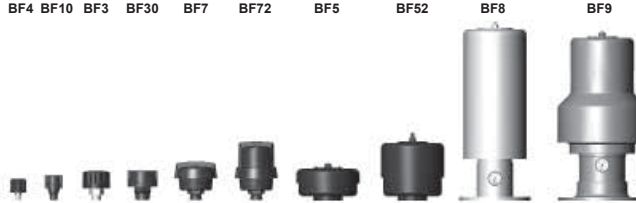
Technical Details	BF 5	ELF 5	BF 52	ELF 52	BF 8	BF 9
Litres/min (at $v = 20$ m/s)	2600	2600	3600	3600	5500	9700
Litres/min (at $\Delta p = 0.01$ bar)	3000	3000	5000	5000	10000	15000
Connection type	Thread	Thread	Thread	Thread	Flange	Flange
Connection size	G2 1/2 female	G2 1/2, G3 male	G2 1/2 female	G2 1/2, G3 male	DN93, 4 hole flange	DN125 8 hole flange
Element media	3 μ m paper	3 μ m paper	3 μ m paper	3 μ m paper	1 μ m, 2 μ m Betamicron	2 μ m Betamicron
Replaceable element	Yes	Yes	Yes	Yes	Yes	Yes
Material of cap	Steel	Steel	Steel	Steel	Steel	Aluminium
Material of strainer	–	Steel	–	Steel	–	–
Clogging indicator	–	–	–	–	Optional	Optional

For sizes BF 5 to BF 9, we recommend sizing the filters according to flow velocity ($v = 20$ m/s)!

Options	BF 5	ELF 5	BF 52	ELF 52	BF 8	BF 9
Check valve	Optional	Optional	Optional	Optional	–	–
Anti-splash	–	–	–	–	–	–
Dipstick	–	–	–	–	–	–



Tank Breather Filter BF up to 11000 l/min



1. TECHNICAL SPECIFICATIONS

1.1 FILTER HOUSING

Construction

Breather filter sizes 4, 10, 3 and 30 consist of a housing which is screwed onto the oil tank, and a built-in filter element.

Sizes 5, 52, 7 and 72 have housings which are screwed onto the oil tank and have one or two exchangeable filter element(s).

BF 5 and 52 are fitted with a built-in oil mist trap as standard.

Sizes 8 and 9 consist of a flange for mounting to the tank, an exchangeable element and a cap. The BF 9 also has an oil mist trap which allows the oil to be drained via an oil drain plug.

1.2 FILTER ELEMENTS

HYDAC filter elements are validated and their quality is constantly monitored according to the following standards:

- ISO 2941
- ISO 2942
- ISO 2943
- ISO 3724
- ISO 3968
- ISO 11170
- ISO 16889

Contamination retention capacities in g

BF	Paper
	3 µm
4	2.9
10	2.9
3	6.2
30	6.2
7	26.1
72	52.2
5	85.1
52	170.2

The filter elements are made from phenolic resin impregnated paper and cannot therefore be cleaned.

1.3 FILTER SPECIFICATIONS

Temperature range	-30 °C to +100 °C
Material of housing	Steel, zinc-plated/plastic coated (BF 4, 3), Steel (BF 5, 52) Steel, galvanized (BF 8) Aluminium (BF 9) Glass fibre reinforced plastic (BF 10, 30, 7, 72)
Type of clogging indicator	VMF (pressure gauge)
Pressure setting of clogging indicator	0.6 bar K pressure gauge 0.035 bar UBM indicator (others on request)

1.4 SEALS

NBR (= Perbunan) on filter
Polyurethane on element
Cardboard on mounting flange

1.5 SPECIAL MODELS AND ACCESSORIES

- with check/bypass valve to support the suction characteristics of the pump
Not 100% air-tight or leakage-free!
(only BF 10 (except for G¹/₄), 3, 30, 5 and 52)
- with anti-splash device
(only BF 10, 3, 30, 7, 72)
- with connection for a clogging indicator
(only BF 7, 72, 8, 9)
- with manual pressure release
(= BFPR; only BF 10)

1.6 SPARE PARTS

See Original Spare Parts List

1.7 CERTIFICATES, APPROVALS, STANDARDS

BF 7, 72 to Renault standard;
others on request

1.8 COMPATIBILITY WITH HYDRAULIC FLUIDS ISO 2943

The standard models are suitable for use with mineral and lubrication oils. For fire-resistant and biodegradable oils, see tables:

Fire-resistant fluids

BF	HFA	HFC	HFD-R
4, 3, 5, 52	-	-	-
10, 30, 7, 72	●	●	-
8, 9	●	●	●

- HFA oil in water emulsion (H₂O content ≥ 80%)
- HFC water polyglycol solution (H₂O content 35-55%)
- HFD-R synthetic, water-free phosphate ester

Biodegradable fluids

BF	HTG	HE	HPG	PRG
4, 10, 3, 30,	+	+	●	●
7, 72, 5, 52	+	+	●	●
8, 9	+	+	●	●

+ suitable for all

● contact our Technical Sales Department

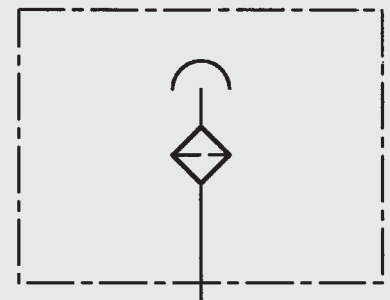
- not suitable

- HTG vegetable oil based hydraulic fluids
- HE ester-based synthetic hydraulic fluids
- HPG polyglycol-based synthetic hydraulic fluids
- PAG sub-group HPG: polyalkylene glycol
- PEG sub-group HPG: polyethylene glycol

1.9 CHANGING INTERVALS

The filter elements or filters must be replaced as frequently as the fluid filters, but at least every 12 months.

Symbol



2. MODEL CODE (also order example)

2.1 COMPLETE FILTER

2.1.1 BF 4 and 3

Filter type _____ **BF**
Filter material _____ **P** Paper
Size of filter _____ **BF 4, 3**

Type and size of connection _____

Des.	Type	Connection	Filter size	
			BF4	BF3
G	Thread ISO 228	G 1/4	•	
		G 1/2		•
		G 3/4		•
		G 3/8		•

Filtration rating in µm _____
P 3 (absolute)

Type of clogging indicator _____
W without port, no clogging indicator

Type code (TKZ) _____

Size	Code	Connection	Δp [bar]
BF 3	1.X	G 3/4	-
BF 3	2.X	G 3/8	-
BF 3	3.X	G 1/2	-
BF 3../-RV	4.X	G 3/4	0.4
BF 3../-RV	5.X	G 3/4	0.7
BF 3../-RV	6.X	G 3/4	0.2
BF 3../-RV	7.X	G 3/4	1.0
BF 4	1.X	G 1/4	-

Modification number _____
X the latest version is always supplied

Supplementary details _____
RV check/bypass valve (not for BF 4)

2.1.2 BF 10 and 30

Filter type _____ **BF**
Filter material _____ **P** Paper
Size _____ **BF 10, 30**

Type and size of connection _____

Des.	Type	Connection	Filter size	
			BF10	BF30
G	Thread ISO 228	G 1/4	•	
		G 3/8	•	
		G 1/2		•
M	metr. connection	M 42x2		•
		M 30x1.5		•
		M 22x1.5	•	
N	NPT thread	1/2	•	
U	UNF thread	3/4		•
		1 1/16-12UN-2A	•	•

Filtration rating in µm _____
P 3 (absolute)

Type of clogging indicator _____
W without port, no clogging indicator

Type code (TKZ) _____

Size	Code	Connection
BF 30 G...	1.X	G 3/4
BF 30 M...	1.X	M 42x2
BF 30 M...	2.X	M 30x1.5
BF 30 N...	1.X	NPT 3/4
BF 30 U...	1.X	1 1/16-12UN-2A
BF 10 G...	1.X	G 1/4
BF 10 G...	2.X	G 3/8
BF 10 M...	1.X	M 22x1.5
BF 10 N	1.X	NPT 1/2

Modification number _____
X the latest version is always supplied

Supplementary details _____
AS anti-splash without check/bypass valve
RV0.2 valve with relevant pressure setting
RV0.4 (not for BF 10 with G 1/4)
RV0.7

2.1.3 BF 7 and 72

Filter type _____ **BF**
Filter material _____ **P** Paper
Size _____ **BF 7, 72**

Type and size of connection _____

Des.	Type	Connection	Filter size	
			7	72
G	Thread ISO 228	G 1	•	•
N	NPT-Thread	3/4	•	•
U	UNF-Thread	G 1 5/16-12UN	•	•

Filtration rating in µm _____
P 3 (absolute)

Type of clogging indicator _____
W without port, no clogging indicator
K pressure gauge (measuring range -1 to +0.6 bar) (not for BF 72)

UBM visual/analogue vacuum gauge with manual reset (pressure setting: -0.035 bar)

Type code (TKZ) _____
1

Modification number _____
X the latest version is always supplied

Supplementary details _____
AS anti-splash device (not for model with K pressure gauge)

2.1.4 BF 5 and 52

Filter type _____ **BF**
Filter material _____ **P** Paper
BN Betamicon®
Size _____ **BF 5, 52**

Type and size of connection _____

Des.	Type	Conn.	Filter size	
			5	52
G	Thread ISO 228	G 2 1/2	•	•

Filtration rating in µm _____
BN 3, 10 (absolute)
P 3 (absolute)

Type of clogging indicator _____
W without port, no clogging indicator

Type code (TKZ) _____
1

Modification number _____
X the latest version is always supplied

Supplementary details _____
RV0.4 check/bypass valve with 0.4 bar pressure setting
SO479 filter suitable for HFC fluids

2.1.5 BF 8 and 9

BF BN 8 F 1 W 1 . X

Filter type _____

BF

Filter material _____

BN Betamicron®

BN/AM Betamicron®/Aquamicron®

Size _____

BF 8, 9

Type and size of connection _____

Des.	Type	Filter size	
		8	9
F	Flange	•	•

Filtration rating in µm _____

BN 1, 2 for BF 8

BN 2 for BF 9

BN/AM 1 for BF 8

Type of clogging indicator _____

A blanking plug in indicator port

K pressure gauge (measuring range -1 to +0.6 bar)

Type code (TKZ) _____

1

Modification number _____

X the latest version is always supplied

2.2 REPLACEMENT ELEMENT

0005 L 003 P

Size _____

0005 for BF 5, 52 (on BF 52: 2 x 0005 L...)

0007 for BF 7

0072 for BF 72

0008 for BF 8

0009 for BF 9

Type _____

L

Filtration rating in µm _____

P: 003 (BF 5, 52, 7, 72)

BN: 001, 002 (BF 8)

BN: 002 (BF 9)

BN: 003, 010 (BF 5, 52)

BN4AM:001 (BF 8)

Filter material _____

P Paper (BF 5, 52, 7, 72)

BN Betamicron® (BF 5, 52, 8, 9)

BN4AM Betamicron®/Aquamicron® (BF 8)

Replacement elements cannot be ordered for BF 4, 10, 3, 30.

These filters are only available complete!

2.3 REPLACEMENT CLOGGING INDICATOR

VMF 0.6 K . X

Type _____

VMF Return line indicator

Pressure setting _____

0.6 -1 to +0.6 bar

0.035 -0.035 bar

Type _____

A blanking plug in indicator port

K pressure gauge (pressure setting -1 to +0.6 bar)

UBM visual-analogue vacuum gauge with manual reset (pressure setting: -0.035 bar)

Modification number _____

X the latest version is always supplied

2.4 MODEL CODE FOR BF 7 AND 72 TO RENAULT SPECIFICATION

BF P 7 F 3 UBM 0 . X

Size _____
 7 Tank volume from 20 to 400 litre
 72 Tank volume over 400 litre

Type and size of connection _____

Des.	Type	Filter size	
		7	72
G	with threaded adapter	•	•
F	with flange adapter	•	•
S	with weld adapter	•	•

Type of clogging indicator _____

UBM visual analogue vacuum pressure gauge with manual reset, measuring range 0 to +0.035 bar

Type code (TKZ) _____

- 0 without adapter (basic model)
- 2 incl. adapter with male thread G 3/4
- 3 incl. adapter with female thread 1 1/2-16 UNC
- 4 incl. adapter with female thread G 3/4
- 5 incl. flange adapter (1 1/2-16 UNC)
- 6 incl. flange adapter (G 3/4)
- 7 incl. weld adapter (1 1/2-16 UNC)
- 8 incl. weld adapter (G 3/4)
- 9 incl. adapter with male thread G 1 1/4

Modification number _____

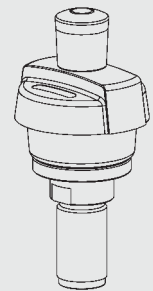
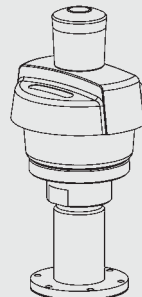
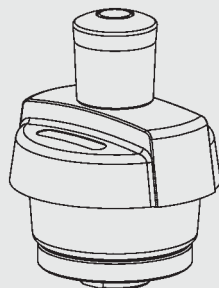
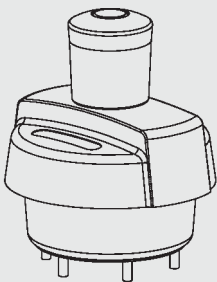
- X the latest version is always supplied
- EFS Filling protection

Basic model

With threaded adapter

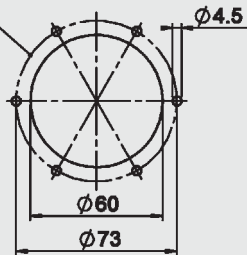
With flange adapter

With weld adapter

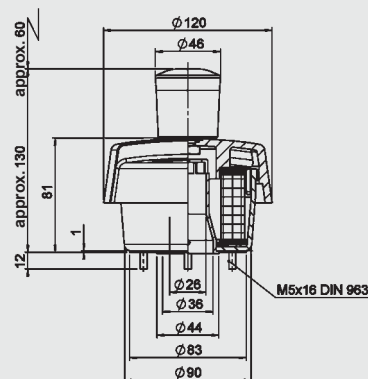


Dimensions BF 7/72 to RENAULT specification

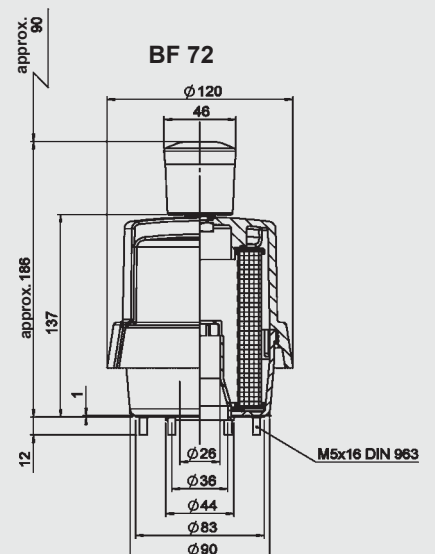
Interface to
DIN 24557/Pt 2



BF 7



BF 72



For further information on the BF7/72 to Renault specification please contact HYDAC!

2.5 BREATHER FILTER WITH MANUAL PRESSURE RELEASE BFPR



TECHNICAL DESCRIPTION

Breather filters with manual pressure release "BFPR" consist of a housing which is screwed onto the oil tank and which has an integrated air filter element.

An integrated valve allows the oil tank to be pressurized to different pressures, for example to support the pump during start-up, thereby avoiding cavitation of the pump.

The manual pressure release function enables complete pressure release which is initiated when the pressure release button is pressed. This pressure release is required for example before carrying out maintenance on the tank and connecting pipes or hoses, to prevent potential accidents or injury by opening a pressurized system.

This filter must not be used as safety valve!

Max. flow rate: 200 l/min

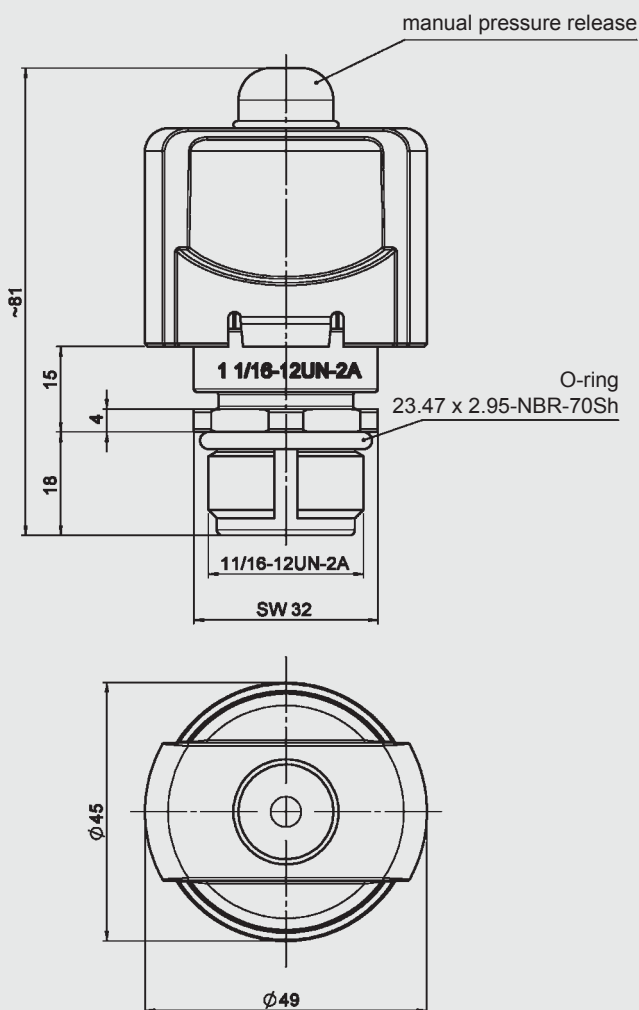
Weight: 0.22 kg

Curves and further information on request!

MODEL CODE

Type	Filter material	Size	Type of connection	Filtration rating (µm)	Type of clogging indicator	Type code	Modification number	Supplementary details
BFPR	P = phenolic resin impregnated paper	10	U = 1 1/16-12UN-2A others on request	3	W = without port (no clogging indicator)	1	.x = The latest version is always supplied	RV0.35 = pre-charge pressure 0.35 bar RV0.7 = pre-charge pressure 0.7 bar RV1.15 = pre-charge pressure 1.15 bar Required information!

DIMENSIONS



3. FILTER CALCULATION / SIZING

3.1 SINGLE PASS FILTRATION PERFORMANCE DATA FOR AIR FILTER ELEMENTS

The following separation values were established under real-life simulated conditions.

This means that the selected velocity of the flow against the filter mesh-pack was 20 cm/s and the contamination added was 40 mg/m³ of ISO MTD test dust.

Filtration rating	Retention value d...	For particle size	Filter material
3 µm	d 80	0.74 µm	Paper
	d 100	2.64 µm	
10 µm	d 80	0.25 µm	BN
	d 100	0.84 µm	

The d 80 value refers to the particle size which is filtered out at a rate of 80% during the retention test.

The particle size determined by this method is called the nominal filtration rating of the air filter. The d 100 value therefore refers to the particle size which is filtered out at a rate of 100% during the single pass test.

The particle size determined by this method is called the absolute filtration rating of the air filter.

Table of average dust concentrations in real life:

Urban regions with a low level of industry	3-7 mg/m ³ air
General mechanical engineering	9-23 mg/m ³ air
Construction industry (wheeled vehicles)	8-35 mg/m ³ air
Construction industry (tracked vehicles)	35-100 mg/m ³ air
Heavy industry	50-70 mg/m ³ air

3.2 DIFFERENTIAL PRESSURE ACROSS BREATHER FILTER

The differential pressure (with clean element) for the various filter sizes is shown in the graphs under Point 3.4.

3.3 SIZING GUIDELINES

The rate at which contamination enters a hydraulic system can be considerably reduced by using efficient tank breather filtration.

CAUTION:

Incorrectly sized tank breather filters can place additional strain on the system and reduce the service life of hydraulic filter elements.

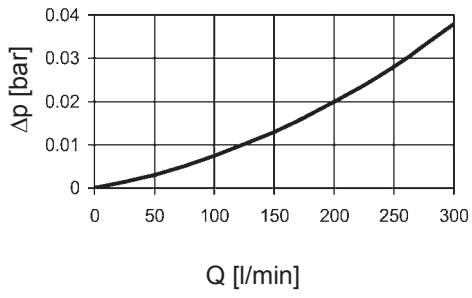
For optimum sizing the following should therefore be observed:

- Filtration rating of breather filter ≤ filtration rating of hydraulic filter
- Only use breather filters with an absolute retention rate ($d_{100} \leq x \mu\text{m}$; x = given filtration rating)
- Max. permitted initial pressure loss: 0.05 bar, optionally 0.01 bar (with a clean filter element and calculated air flow rate)
- Determining the calculated air flow:
 $Q_A = f5 \times Q_p$
 Q_A = calculated air flow in l_N/min
 $f5$ = factor for operating conditions
 Q_p = max. flow rate of the hydraulic pump in l/min

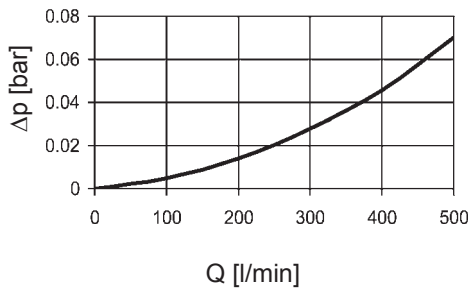
Ambient conditions	Factor f5
Low dust concentration; filter fitted with clogging indicator; continuous monitoring of the filter	1-2
Average dust concentration; filter without clogging indicator; intermittent monitoring of the filter	3-6
High dust concentration; filter without clogging indicator; infrequent or no monitoring of the filter	7-10

3.4 AIR FLOW RATE

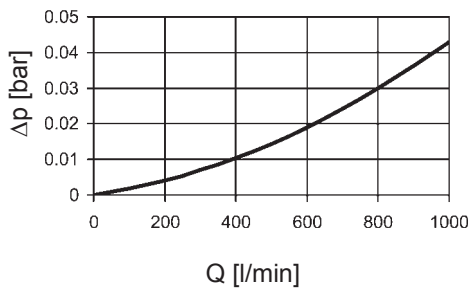
BF 4



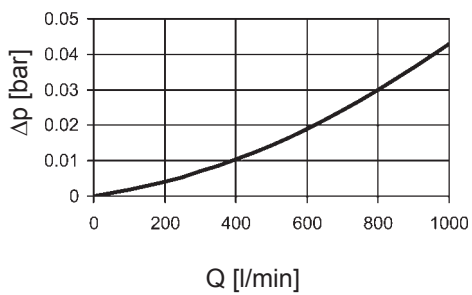
BF 10



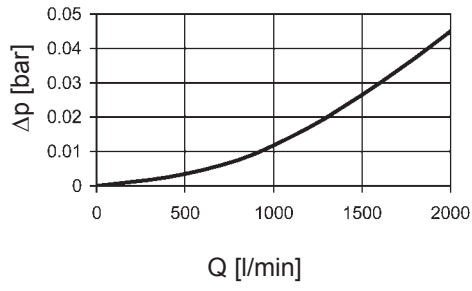
BF 3



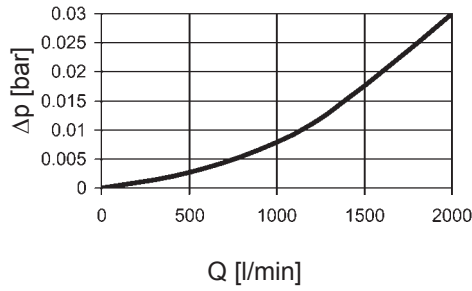
BF 30



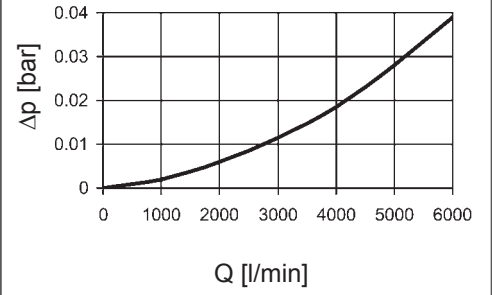
BF 7



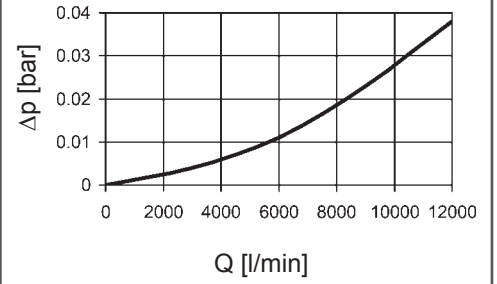
BF 72



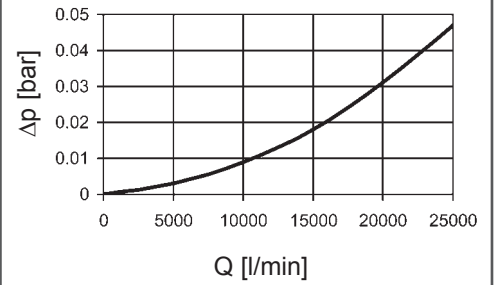
BF 5



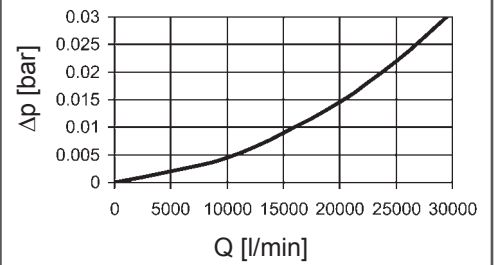
BF 52



BF 8



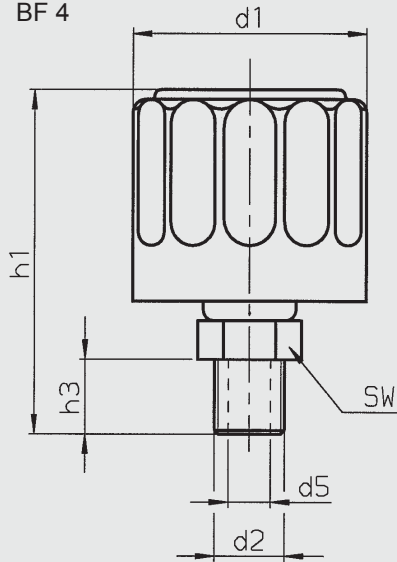
BF 9



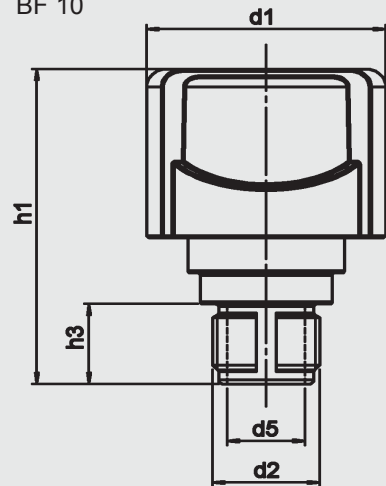
Pressure drop curves for BF filters with check/bypass valve (version /-RV...) on request.

4. DIMENSIONS

BF 4



BF 10

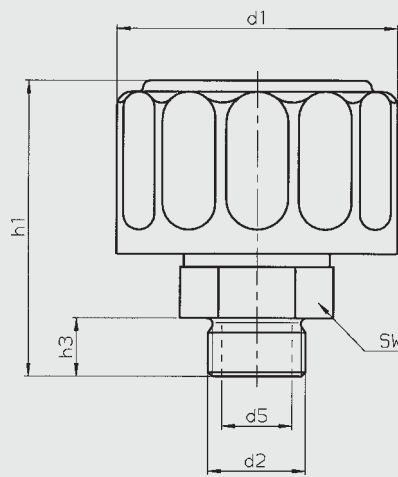


Type	BF 4...
d1	44
d2	G ¼
d5	8
h1	62
h3	13.5
SW	17
Weight	0.08 kg

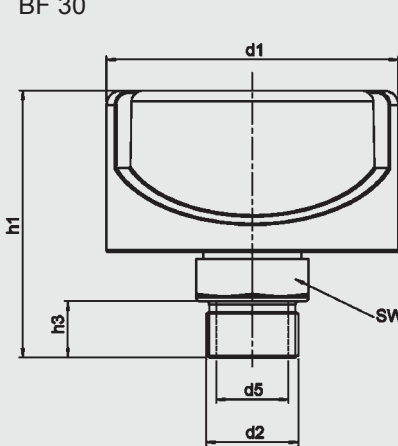
Type	BF 10 "G"...	BF 10 "M"...
d1	49	49
d2	G ¼	M22x1.5
d5	7	16
h1	64	71
h3	13.5	18
Weight	0.047 kg	0.052 kg

Type	BF 10 "U"...	BF 10 "N"...
d1	49	49
d2	1 1/16-12 UN	NPT ½
d5	16	14
h1	71	71
h3	18	18
Weight	0.059 kg	0.049 kg

BF 3



BF 30

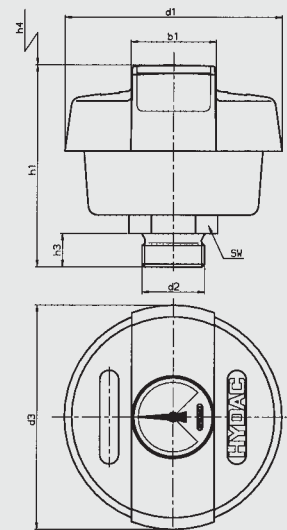


Type	BF 3...1.X	BF 3...2.X	BF 3...3.X
d1	76	76	76
d2	G ¾	BSP 3/8"	G ½
d5	19	12	15
h1	79	72	76
h3	16	12	14
SW	36	22	27
Weight	0.33 kg		

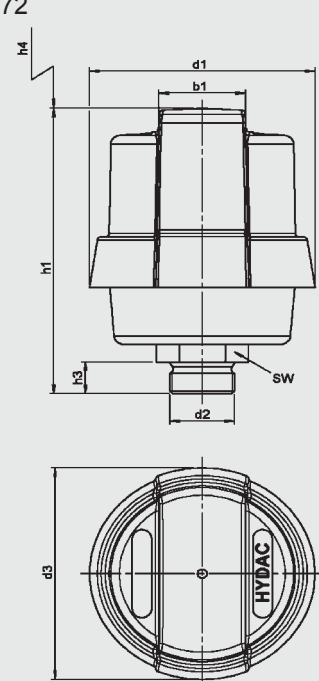
Type	BF 30 "G"...1.X	BF 30 "M"...1.X	BF 30 "M"...2.X
d1	83	83	83
d2	G ¾	M42x2	M30x1.5
d5	20.5	34.5	20.5
h1	76	76	76
h3	16	16	16
SW	32	46	32
Weight	0.12 kg	0.13 kg	0.12 kg

Type	BF 30 "N"...1.X	BF 30 "U"...1.X
d1	83	83
d2	NPT ¾	1 1/16-12 UN
d5	20.5	20.5
h1	76	76
h3	16	16
SW	32	32
Weight	0.12 kg	

BF 7



BF 72

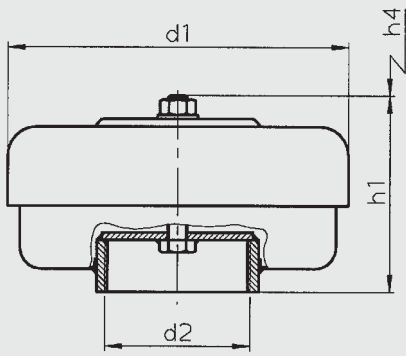


Type	BF 7 "G"	BF 72 "G"
d1	116	116
d2	G 1	G 1
d3	120	120
h1	110	162
h3	18	18
h4	60	90
b1	44	44
SW	41	41
Weight	0.40 kg	0.65 kg

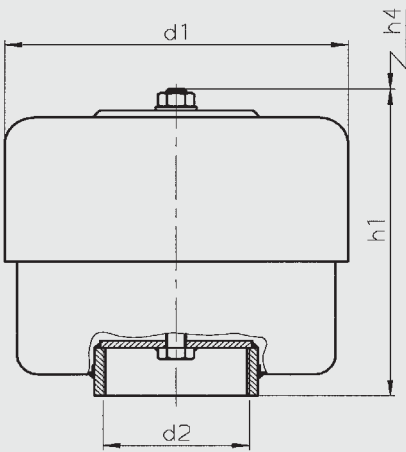
Type	BF 7 "N"	BF 72 "N"
d1	116	116
d2	NPT ¾	NPT ¾
d3	120	120
h1	110	162
h3	18	18
h4	60	90
b1	44	44
SW	32	32
Weight	0.40 kg	0.65 kg

Type	BF 7 "U"	BF 72 "U"
d1	116	116
d2	1 5/16-12 UN	1 5/16-12 UN
d3	120	120
h1	110	162
h3	18	18
h4	60	90
b1	44	44
SW	41	41
Weight	0.40 kg	0.65 kg

BF 5

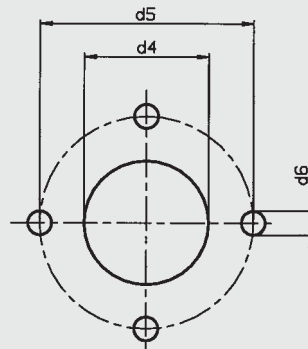
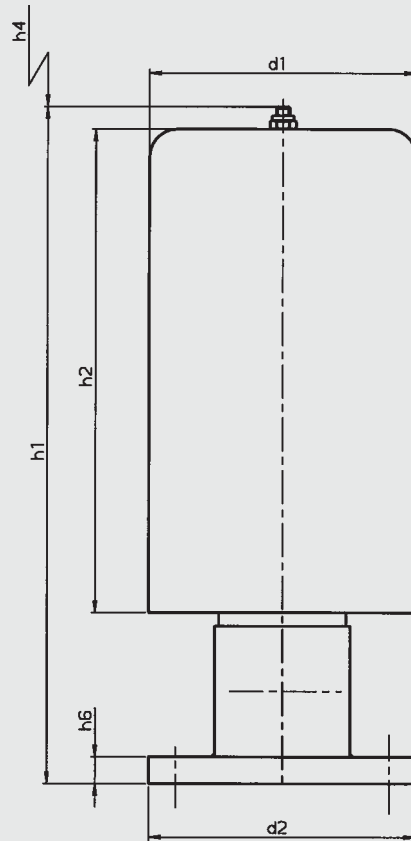


BF 52



Type	BF 5...	BF 52...
d1	177	177
d2	G 2½	G 2½
h1	107	173
h4	90	90
Weight	2.00 kg	2.60 kg

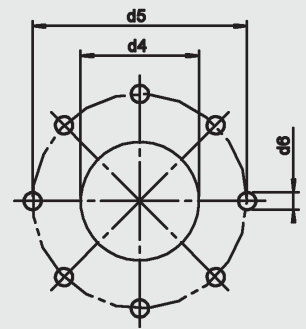
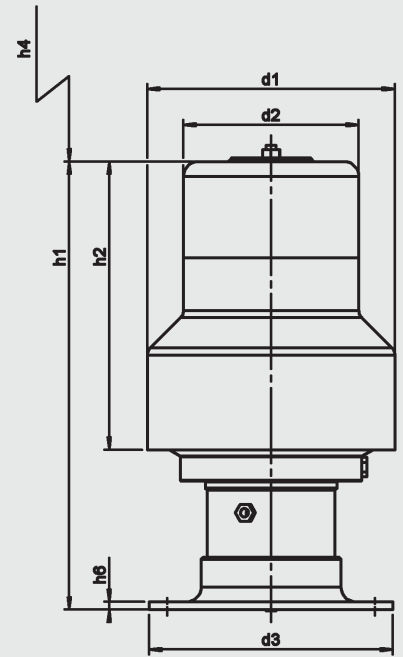
BF 8



Interface

Type	BF 8...
d1	200
d2	200
d4	93
d5	160
d6	18
h1	510
h2	365
h4	400
h6	20
Weight	12.4 kg

BF 9



Interface

Type	BF 9...
d1	250
d2	177
d3	246
d4	116
d5	210
d6	17
h1	455
h2	290
h4	330
h6	8
Weight	6.2 kg



Tank Breather Filter with Filler Strainer ELF up to 5500 l/min



1. TECHNICAL SPECIFICATIONS

1.1 FILTER HOUSING Construction

Tank breather filters size 4, 10, 3 and 30 consist of an air filter top, which is connected to the mounting flange by a bayonet plate or a threaded boss, and a filler strainer.

Sizes 5 and 52 consist of a two-part threaded air filter top, with built-in oil mist trap, one or two exchangeable filter element(s) and a filler strainer.

Sizes 7 and 72 consist of a two-part flanged filter top, an exchangeable filter element and a filler strainer.

1.2 FILTER ELEMENTS

Contamination retention capacities in g

	Paper
ELF	3 µm
4	2.9
10	2.9
3	6.2
30	6.2
7	26.1
72	52.2
5	85.1
52	170.2

The filter elements are made from phenolic resin impregnated paper and cannot therefore be cleaned.

1.3 FILTER SPECIFICATIONS

Temperature range	-30 °C to +100 °C
Material of housing	Steel, zinc-plated/plastic coated (ELF 4, 3), steel (ELF 5, 52) glass fibre reinforced synthetic material (ELF 10, 30, 7, 72)
Material of filler strainer	Synthetic: ELF 10, 4, 30, 3, 7, 72 Metal: ELF 5, 52
Type of clogging indicator	VMF (return line indicator)
Pressure setting of clogging indicator	0.6 bar K pressure gauge 0.035 bar UBM indicator (others on request)

1.4 SEALS

NBR (= Perbunan) on filter
NBR / Polyurethane on element
Cardboard on mounting flange

1.5 SPECIAL MODELS AND ACCESSORIES

- lockable model (only ELFL 3)
- with check/bypass valve to support the suction characteristics of the pump
Not 100% air-tight or leakage-free!
(only ELF 10, 3, 30, 5 and 52)
- with anti-splash device
(only ELF 10, 3, 30, 7, 72)
- with connection for a clogging indicator
(only ELF 7, 72)
- with filler adapter for automotive applications
(only ELF 7 and 72) - see Point 5.

1.6 SPARE PARTS

See Original Spare Parts List

1.7 CERTIFICATES AND APPROVALS

On request

1.8 COMPATIBILITY WITH HYDRAULIC FLUIDS ISO 2943

The standard models are suitable for use with mineral and lubrication oils. For fire-resistant and biodegradable oils, see tables:

Fire-resistant fluids

ELF	HFA	HFC	HFD-R
4, 3, 5, 52	-	-	-
10, 30, 7, 72	●	●	-

- HFA oil in water emulsion (H₂O content ≥ 80%)
- HFC water polyglycol solution (H₂O content 35-55%)
- HFD-R synthetic, water-free phosphate ester

Biodegradable fluids

ELF	HTG	HE	HPG PAG	PRG
all sizes	+	+	●	●

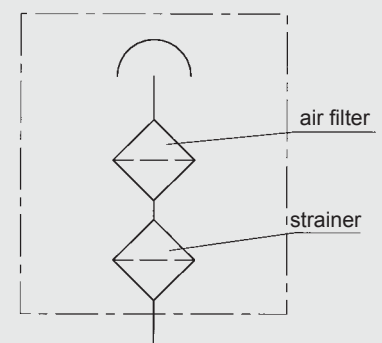
- + suitable for all
- contact our Technical Sales Department
- nicht einsetzbar

- HTG vegetable oil based hydraulic fluids
- HE ester-based synthetic hydraulic fluids
- HPG polyglycol-based synthetic hydraulic fluids
- PAG sub-group HPG: polyalkylene glycol
- PEG sub-group HPG: polyethylene glycol

1.9 CHANGING INTERVALS

The filter elements or filters must be replaced as frequently as the fluid filters, but at least every 12 months.

Symbol



2. MODEL CODE (also order example)

2.1 COMPLETE FILTER

2.1.1 ELF 4, 10, 3, 30 and ELFL 3

Filter type _____ **ELF P 30 F 3 W 1 . X /-RV0.4**

Filter type _____
 ELF
 ELFL (lockable)

Filter material _____
 P Paper

Size _____
 ELF 4, 10, 3, 30
 ELFL 3

Type and size of connection _____
 Filter size
 4 10 3 30

F = Flange ● ● ● ●

Filtration rating in µm _____
 P 3 (absolute)

Type of clogging indicator _____
 W without port, no clogging indicator

Type code (TKZ) _____

Filter size	Code	Δp [bar]
ELF 4	1.X	-
ELF 10	1.X	-
ELF 3	1.X	-
ELF 3.../-RV	4.X	0.4
ELF 3.../-RV	5.X	0.7
ELF 3.../-RV	6.X	0.2
ELF 3.../-RV	7.X	1.0
ELF 30	1.X	-

Modification number _____
 X the latest version is always supplied

Supplementary details _____
 AS anti-splash without check/bypass valve (not ELF 3 & 4)
 RV check/bypass valve (not ELF 4)
 RV0.2 } valve with relevant cracking pressure
 RV0.4 } (only ELF 10 and 30)
 RV0.7 }
 SO148 metal filler strainer, 200 mm long (only ELF 3 and 30)
 SO175 metal filler strainer, 100 mm long (only ELF 3 and 30)

2.1.2 ELF 7 and 72

Filter type _____ **ELF P 72 F 3 W 1 . X /-SO148**

Filter type _____
 ELF

Filter material _____
 P Paper

Size _____
 ELF 7, 72

Type and size of connection _____
 Filter size
 7 72

F = Flange DIN 24557/Pt 2 ● ●

Filtration rating in µm _____
 P 3 (absolute)

Type of clogging indicator _____
 W without port, no clogging indicator
 K pressure gauge (measuring range
 -1 to +0.6 bar) (not for ELF 72)

UBM visual/analogue vacuum gauge
 with manual reset
 (pressure setting: -0.035 bar)

Type code (TKZ) _____
 0 for type UBM
 1 for types W and K

Modification number _____
 X the latest version is always supplied

Supplementary details _____
 AS anti-splash without check/bypass valve
 (only ELF 7, 72 without check/bypass valve)
 SO148 metal filler strainer, 200 mm long
 SO175 metal filler strainer, 100 mm long
 SO394 ELF filter without strainer

2.1.3 ELF 5 and 52

Filter type _____ **ELF P 52 G 3 W 2 . X /-RV0.4**

Filter type _____
 ELF

Filter material _____
 P Paper
 BN Betamicon®

Size _____
 ELF 5, 52

Type and size of connection _____
 Filter size
 5 52

	G1 1/2	G2	G2 1/2	G3
G = Thread	● ●	● ●	● ●	● ●

Filtration rating in µm _____
 P 3 (absolute)
 BN 3 (absolute)

Type of clogging indicator _____
 W without port, no clogging indicator

Type code (TKZ) _____
 Code Connection
 2.X G 2 1/2
 3.X G 3
 4.X G 2
 5.X G 1 1/2

Modification number _____
 X the latest version is always supplied

Supplementary details _____
 RV0.4 check/bypass valve with 0.4 bar pressure setting
 SO479 filter suitable for HFC fluids

2.2 REPLACEMENT ELEMENT

Size _____ **0005 L 003 P**

Size _____
 0005 for ELF 5, 52
 0007 for ELF 7
 0072 for ELF 72

Type _____
 L

Filtration rating in µm _____
 P 003
 BN 003 (only for 0005)

Filter material _____
 P Paper
 BN Betamicon®

Replacement elements cannot be ordered for ELF 4, 10, 3, 30 and ELFL 3. These filters are only available complete!

2.3 REPLACEMENT CLOGGING INDICATOR

Type _____ **VMF 0.6 K . X**

Type _____
 VMF Return line indicator

Pressure setting _____
 0.6 -1 to +0.6 bar
 0.035 -0.035 bar

Type _____
 (see Point 2.1.2)

Modification number _____
 X the latest version is always supplied

3. FILTER CALCULATION / SIZING

3.1 SINGLE PASS FILTRATION PERFORMANCE DATA FOR AIR FILTER ELEMENTS

The following separation values were established under real-life simulated conditions.

This means that the selected velocity of the flow against the filter mesh-pack was 20 cm/s and the contamination added was 40 mg/m³ of ISO MTD test dust.

Filtration rating	Retention value d...	For particle size	Filter material
3 µm	d 80	0.74 µm	Paper
	d 100	2.64 µm	

The d 80 value refers to the particle size which is filtered out at a rate of 80% during the retention test. The particle size determined by this method is called the nominal filtration rating of the air filter. The d 100 value therefore refers to the particle size which is filtered out at a rate of 100% during the single pass test. The particle size determined by this method is called the absolute filtration rating of the air filter.

Table of average dust concentrations in real life:

Urban regions with a low level of industry	3-7 mg/m ³ air
General mechanical engineering	9-23 mg/m ³ air
Construction industry (wheeled vehicles)	8-35 mg/m ³ air
Construction industry (tracked vehicles)	35-100 mg/m ³ air
Heavy industry	50-70 mg/m ³ air

3.2 DIFFERENTIAL PRESSURE ACROSS BREATHER FILTER

The differential pressure (with clean element) for the various filter sizes is shown in the graphs under Point 3.4.

3.3 SIZING GUIDELINES

The rate at which contamination enters a hydraulic system can be considerably reduced by using efficient tank breather filtration.

CAUTION:

Incorrectly sized tank breather filters can place additional strain on the system and reduce the service life of hydraulic filter elements.

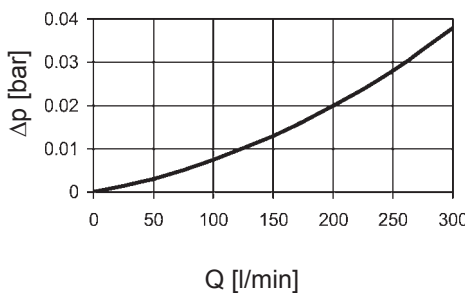
For optimum sizing the following should therefore be observed:

- Filtration rating of breather filter ≤ filtration rating of hydraulic filter
- Only use breather filters with an absolute retention rate ($d_{100} \leq x \mu\text{m}$; $x =$ given filtration rating)
- Max. permitted initial pressure drop: 0.01 bar (with a clean filter element and at calculated air flow)
- Determining the calculated air flow:
 $Q_A = f_5 \times Q_p$
 Q_A = calculated air flow in l_N/min
 f_5 = factor for operating conditions
 Q_p = max. flow rate of the hydraulic pump in l/min

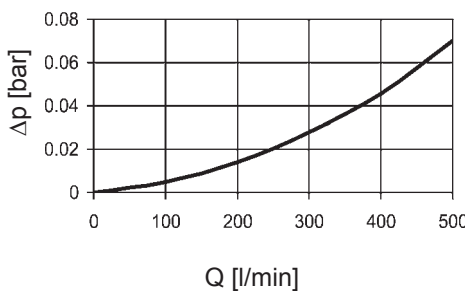
Ambient conditions	Factor f5
Low dust concentration; filter fitted with clogging indicator; continuous monitoring of the filter	1-2
Average dust concentration; filter without clogging indicator; intermittent monitoring of the filter	3-6
High dust concentration; filter without clogging indicator; infrequent or no monitoring of the filter	7-10

3.4 AIR FLOW RATE

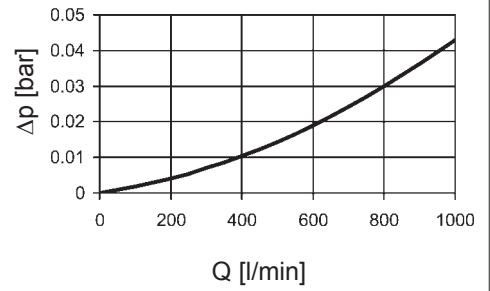
ELF 4



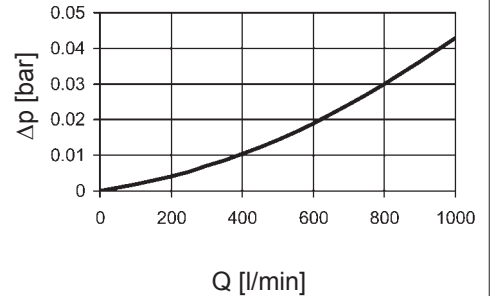
ELF 10



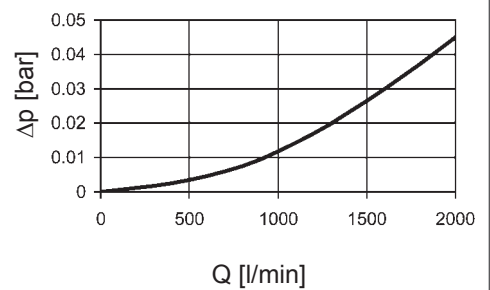
ELF 3



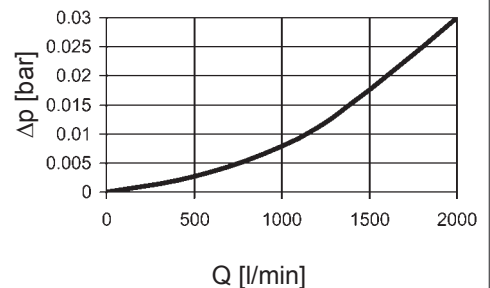
ELF 30



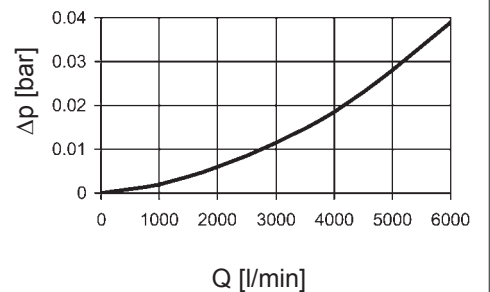
ELF 7



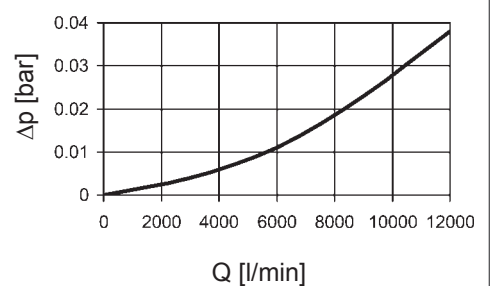
ELF 72



ELF 5

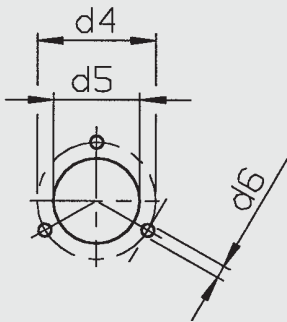
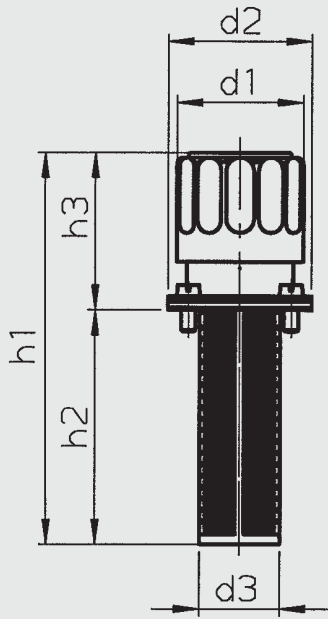


ELF 52



4. DIMENSIONS

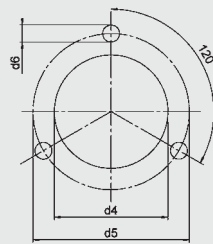
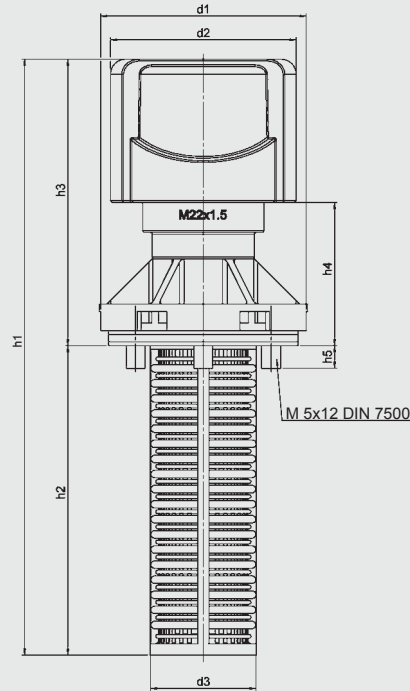
ELF 4



Interface

	ELF 4...
d1	44
d2	50
d3	28
d4	41.3
d5	30
d6	4.5
h1	135
h2	81.5
h3	53.5
Weight	0.20 kg

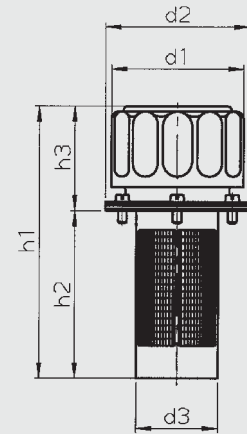
ELF 10



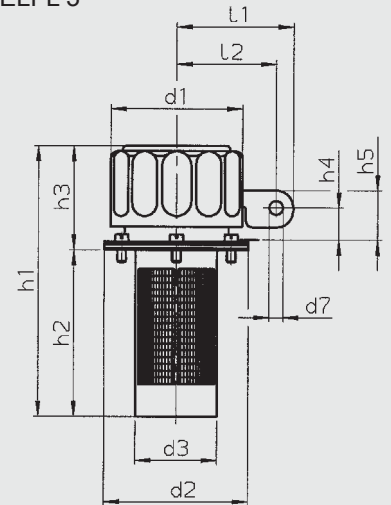
Interface

	ELF 10...
d1	54
d2	49
d3	28
d4	30
d5	41.3
d6	4.5
h1	158
h2	82
h3	76
h4	38
h5	6
Weight	0.08 kg

ELF 3



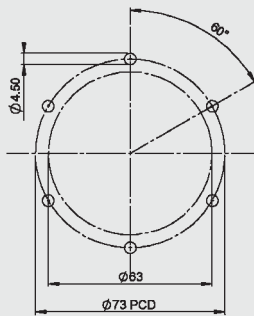
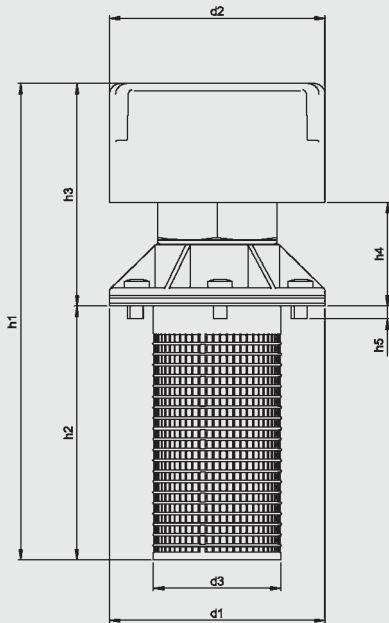
ELFL 3



Interface to DIN 24557/Part 2

	ELF 3.../ELFL 3...
d1	76
d2	83
d3	49
d4	73
d5	60
d6	4.5
d7	8
h1	159
h2	96.5
h3	61.5
h4	21
h5	31
l1	67.5
l2	57.5
Weight	0.25 kg

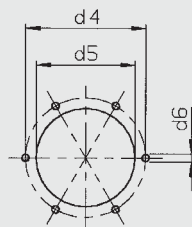
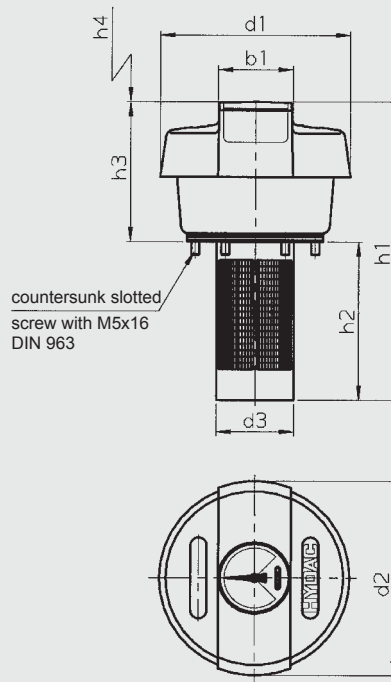
ELF 30



Interface to DIN 24557/Part 2

	ELF 30...
d1	83
d2	83
d3	49
h1	185
h2	100
h3	85
h4	40
h5	5
Weight	0.23 kg

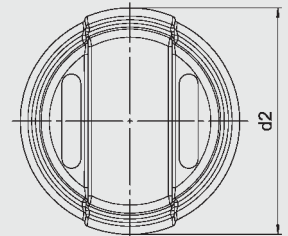
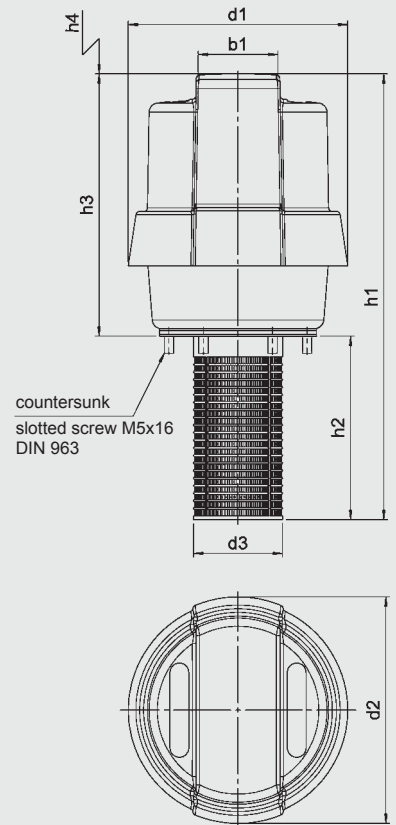
ELF 7



Interface to DIN 24557/Part 2

	ELF 7...
d1	116
d2	120
d3	47
d4	73
d5	60
d6	M5
h1	181
h2	97
h3	84
h4	60
b1	44
Weight	0.38 kg

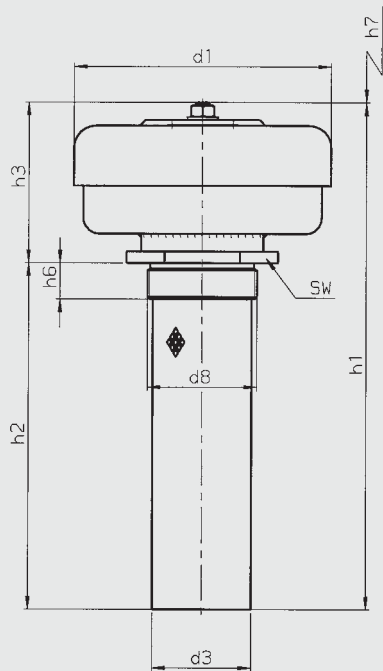
ELF 72



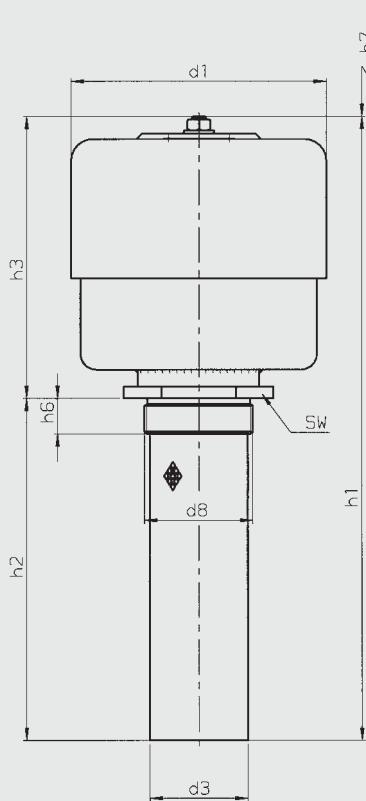
Interface to DIN 24557/Part 2

	ELF 72...
d1	116
d2	120
d3	47
d6	M5
h1	236
h2	97
h3	139
h4	60
b1	44
Weight	0.58 kg

ELF 5

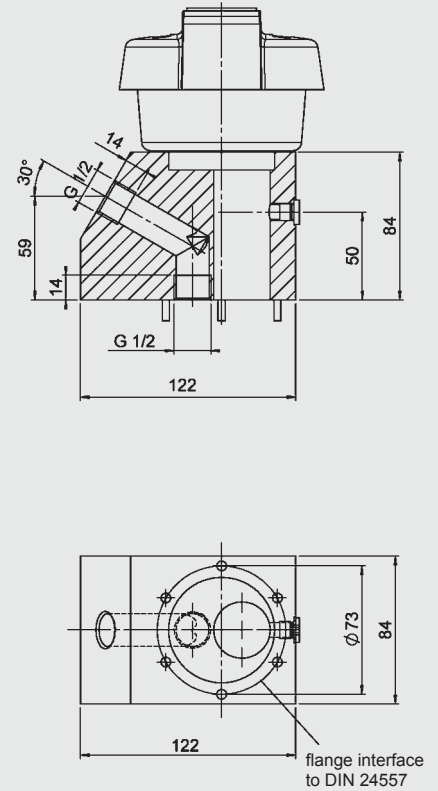


ELF 52



5. FILLER ADAPTER

This adapter can only be used on ELF 7 and ELF 72 filters!



	ELF 5...	ELF 5... /-RV
d1	177	
d8 / d3	...2.X	G 2½ / 70.5
	...3.X	G 3 / 70.5
	...4.X	G 2 / 51.5
	...5.X	G 1½ / 41.5
h1	350	360
h2	240	
h3	105	126
h6	25	
h7	90	
SW	90	
Weight	...2.X	2.70 kg
	...3.X	3.10 kg
	...4.X	2.70 kg
	...5.X	2.60 kg

	ELF 52...	ELF 52... /-RV
d1	177	
d8 / d3	...2.X	G 2½ / 70.5
	...3.X	G 3 / 70.5
	...4.X	G 2 / 51.5
	...5.X	G 1½ / 41.5
h1	416	438
h2	240	
h3	176	198
h6	25	
h7	125	112
SW	90	
Weight	...2.X	3.10 kg
	...3.X	3.50 kg
	...4.X	3.10 kg
	...5.X	3.00 kg

These filler adapters are available in the following threaded connections:

- Adapter ELF /-FA12 (G ½)
(Part No.: 00318597)
- Adapter ELF /-FA34 (G ¾)
(Part No.: 01282563)
- Adapter ELF /-FA1 (G 1)
(Part No.: 01274065)

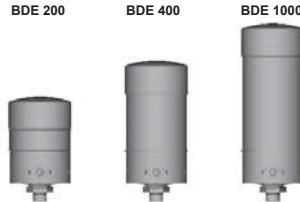
NOTE

The information in this brochure relates to the operating conditions and applications described.
For applications or operating conditions not described, please contact the relevant technical department.
Subject to technical modifications.

HYDAC FILTERTECHNIK GMBH
Industriegebiet
D-66280 Sulzbach/Saar, Germany
Tel.: 0 68 97 / 509-01
Fax: 0 68 97 / 509-300
Internet: www.hydac.com
E-mail: filter@hydac.com



Breather Dryer BDE



1. TECHNICAL SPECIFICATIONS

1.1 DEFINITION OF THE PROBLEM

In hydraulic and lubrication systems, water ingress into the tank is a familiar problem. System operators are constantly faced with high breakdown and maintenance costs that can be traced back to water in the system. This is because water, even in its dissolved state, causes accelerated degradation of the additive components by hydrolysis. These reactions cause the oil to lose its desired characteristics and to age more rapidly. The depletion of the additives also leads to increased oxidation in the base fluid. Water also has serious and adverse effects on the operating system components, damaging them by corrosion and hydrogen embrittlement.

1.2 FILTER HOUSING

Construction

The distinctive feature of the breather dryers BDE is that it has two separate chambers which can be filled with two desiccants, which in combination increase total water retention (two-stage dewatering).

As an option, and as a special protection of the desiccant, four valves are built into the bottom of the unit so that during system downtime the desiccants will not become saturated.

A check valve is available as an option to prevent exhaust air from the tank/ transmission from flowing back through the desiccant. This means the desiccant is protected from oil mist and there is no re-drying of exiting air.

1.3 FILTER MEDIUM

The built-in pleated air filter element (absolute filtration of particles > 2 µm) provides the filter with a very high contamination retention capacity (26g). In order to ensure reliable function, the entire cartridge must be replaced. When the filter is due to be changed, the colour changes from dark red to light orange.

1.4 FILTER SPECIFICATIONS

Temperature range	-30 °C to +100 °C
	Storage temperature: -40 °C to +100 °C
Material of filter housing	Plastic (PA, PC and POM)
Material of filter cartridge unit	Combination of 2 different desiccants
Material of air filter element	phenolic resin impregnated paper

1.5 SEALS

NBR (= Perbunan)

1.6 SPECIAL MODELS AND ACCESSORIES

On request

1.7 SPARE PARTS

See Original Spare Parts List

1.8 CERTIFICATES AND APPROVALS

On request

1.9 COMPATIBILITY WITH HYDRAULIC FLUIDS ISO 2943

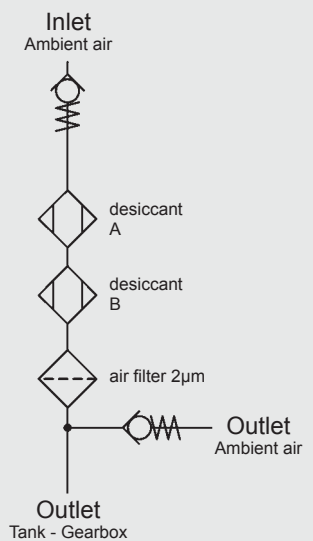
The filter cartridge actively prevents contamination particles and humidity from entering the tank. Compatible with mineral oils and bio oils.

Caution: The new BDE is not suitable as a breather for reservoirs containing highly flammable liquids (e.g. fuel, solvents, etc...!)

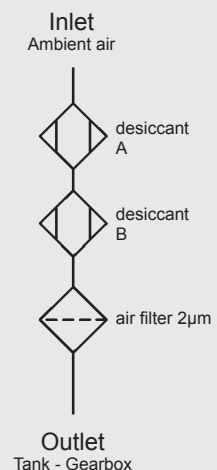
1.10 CHANGING INTERVALS

When the filter is due to be changed, the colour changes reliably from dark red to light orange.

Symbol: BDE with valves



Symbol: BDE without valves



2. MODEL CODE (also order example)

BDE 400 G 2 W 1 . X /-RV0.02

2.1 COMPLETE FILTER

Filter type _____

BDE

Size of filter _____

200, 400, 1000

Type of connection _____

F Flange (to DIN 24557)

G Thread

N Thread NPT

M Thread metric

S Slip fit

Filtration rating in μm _____

2 2 μm absolute

Type of clogging indicator _____

W without port, no clogging indicator

K pressure gauge

UBM vacuum indicator

Type code (TKZ) _____

Type code	Thread connection G	Thread connection N	Thread connection M	Slip fit connection S	Flange connection F
1	1BSP	NPT 1"	M42x2	1"	T2
2	–	NPT 2"	–	–	–

Modification number _____

X the latest version is always supplied

Supplementary details _____

ELF with filler strainer (only for connection type F = Flange)

RV0.02 check/protection valve with 0.02 bar pressure setting

RV0.003 check/protection valve with 0.003 bar pressure setting

2.2 REPLACEMENT CARTRIDGE

BDE 400 X 2 W 0 . X

Filter type _____

BDE

Size _____

200, 400, 1000

Connection type _____

X replacement cartridge

Filtration rating _____

2 2 μm absolute

Type of clogging indicator _____

W without port, no clogging indicator

K pressure gauge

UBM vacuum indicator

Type code _____

0 replacement cartridge

Modification number _____

X the latest version is always supplied

3. FILTER CALCULATION / SIZING

3.1 SIZING GUIDELINES

The rate at which contamination enters a hydraulic system can be considerably reduced by using efficient tank breather filtration.

CAUTION:

Incorrectly sized tank breather filters can place additional strain on the system and reduce the service life of hydraulic filter elements.

3.2 SIZING / AIR FLOW RATE

The following table indicates the size of BDE filters for gearbox lubrication in wind power plants (According to size in megawatts).

	≤ 1 MW	1-3 MW	≥ 3 MW
Standard conditions	200	400	1000
Longer service life/ service intervals	400	1000	2x1000
Very humid climate	400	1000	2x1000

Additional information on sizing criteria:

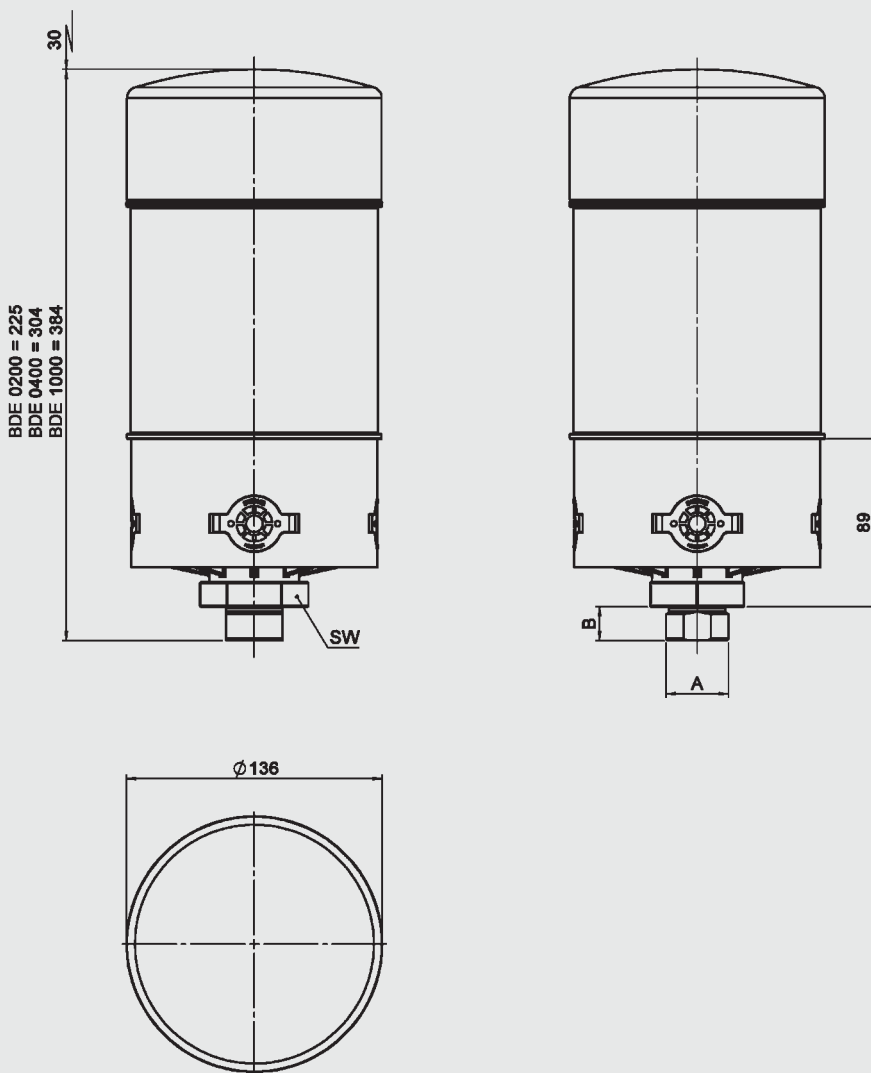
Size	Optimum air flow rate * [l air / min]	Max. drying capacity for average humidity [m³ air]	Max. drying capacity for high humidity [m³ air]
200	10	10	6
400	20	25	15
1000	35	42	25

* Air flow rate with the highest drying efficiency

3.3 WATER RETENTION CAPACITY

Size	Maximum water retention capacity
200	0.25 l
400	0.50 l
1000	0.75 l

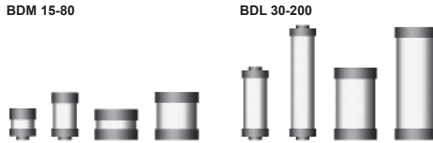
4. DIMENSIONS



Connection	Thread length B [mm]	AF width SW [mm]
1" Slip fit connection Ø 33.4	18	50
G 1"	18	50
M42 x 2	18	50
NPT 1"	18	50
NPT 2"	24	65
Flange adapter DIN24557/Pt 2	20	50

Type	Weight (kg)
BDE 200	1.7
BDE 400	2.3
BDE 1000	3.0

Breather Dryers BDL, BDM



1. TECHNICAL SPECIFICATIONS

1.1 FILTER HOUSING Construction

The inline version BDL and the breather dryer BDM consist of a filter cartridge only, which is non-replaceable.

1.2 GENERAL

The breather dryer cartridges are filled with silica gel (orange) which, once completely saturated, cannot be regenerated.

A durable contamination filter above and below the silica gel prevents contamination from penetrating inside the cartridge (particle filtration > 2 µm nominal).

This ensures optimum humidity absorption.

To guarantee the performance of the protective filter layers, the entire cartridge must be replaced.

When the filter is due to be changed, the colour changes from orange to green.

1.3 FILTER SPECIFICATIONS

Temperature range	-32 °C to +100 °C
Material of filter cartridge	Plastic with silica gel filling (orange)

1.4 SEALS

NBR (= Perbunan)

1.5 SPECIAL MODELS AND ACCESSORIES

On request

1.6 SPARE PARTS

See Original Spare Parts List

1.7 CERTIFICATES AND APPROVALS

On request

1.8 COMPATIBILITY WITH HYDRAULIC FLUIDS ISO 2943

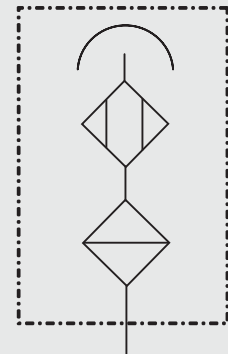
The filter cartridge actively prevents contamination particles and humidity from entering the tank. Compatible with mineral oils, bio oils and diesel fuel.

1.9 CHANGING INTERVALS

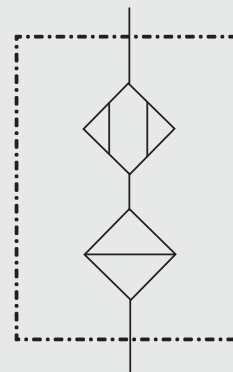
When the filter is due to be changed, the colour changes reliably from gold/orange to green.

Symbol

BDM



BDL



2. MODEL CODE (also order example)

BDL 200 N 2 W 1 . X

2.1 COMPLETE FILTER

Filter type _____

BDL Inline version
BDM Mini version

Size of filter _____

BDL: 30, 50, 60, 200
BDM: 15, 30, 50, 80

Type of connection _____

N NPT thread connection (1/2" female)

Filtration rating in µm _____

2 2 µm

Type of clogging indicator _____

W without port, no clogging indicator

Type code (TKZ) _____

1

Modification number _____

X the latest version is always supplied

3. FILTER CALCULATION / SIZING

3.1 SIZING GUIDELINES

The rate at which contamination enters a hydraulic system can be considerably reduced by using efficient tank breather filtration.

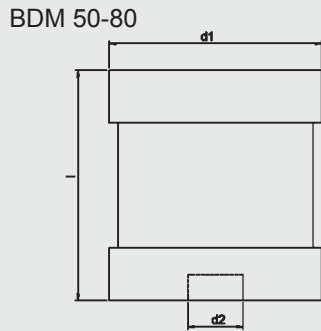
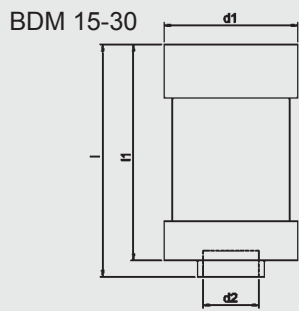
CAUTION:

Incorrectly sized tank breather filters can place additional strain on the system and reduce the service life of hydraulic filter elements.

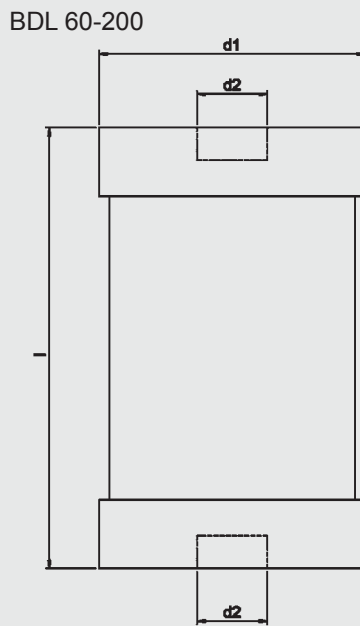
3.2 WATER RETENTION CAPACITY

Type	H ₂ O
BDL 30	0.03 l
BDL 50	0.05 l
BDL 60	0.06 l
BDL 200	0.19 l
BDM 15	0.01 l
BDM 30	0.03 l
BDM 50	0.05 l
BDM 80	0.08 l

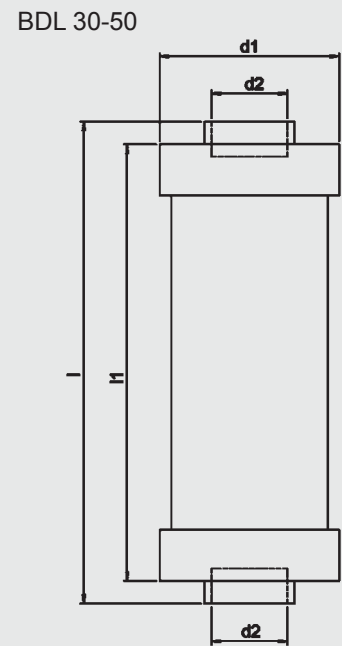
4. DIMENSIONS



Type	BDM 15	BDM 30	BDM 50	BDM 80
d1	51	51	83	83
d2	NPT 1/2"	NPT 1/2"	NPT 1/2"	NPT 1/2"
l	59	89	57	90
l1	52	82	-	-
Weight [kg]	0.09	0.14	0.28	0.40



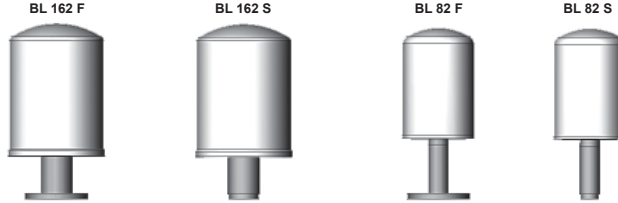
Type	BDL 60	BDL 200
d1	82	82
d2	NPT 1/2"	NPT 1/2"
l	135	212
Weight [kg]	0.48	0.80



Type	BDL 30	BDL 50
d1	51	51
d2	NPT 1/2"	NPT 1/2"
l	137	216
l1	124	203
Weight [kg]	0.10	0.21



Tank Breather Filter with Spin-On Filter Cartridge BL up to 1800 l/min



1. TECHNICAL SPECIFICATIONS

1.1 FILTER HOUSING Construction

The filters consist of a spin-on filter can which screws onto a connection tube which is fitted to the oil tank. The connection can either be a flanged or weld version.

1.2 FILTER ELEMENTS

Contamination retention capacities in g

	10 µm	20 µm
BL		
82	67.6	99.4
162	192.0	201.3

The filter elements are made from phenolic resin impregnated paper and cannot therefore be cleaned.

1.3 FILTER SPECIFICATIONS

Temperature range	-30 °C to +100 °C
Material of connection tube	Steel
Material of spin-on can	Sheet steel
Type of clogging indicator	VMF (pressure gauge)
Type of clogging indicator	0.6 bar (K pressure gauge)

1.4 SEALS

Perbunan (= NBR)
Cardboard on the mounting flange

1.5 SPECIAL MODELS AND ACCESSORIES

- With connection for a clogging indicator
- With filler adapter

1.6 SPARE PARTS

See Original Spare Parts List

1.7 CERTIFICATES AND APPROVALS

On request

1.8 COMPATIBILITY WITH HYDRAULIC FLUIDS ISO 2943

The standard models are suitable for use with mineral and lubrication oils. For fire-resistant and biodegradable oils, see tables:

Fire-resistant fluids

BL	HFA	HFC	HFD-R
82	●	●	–
162	●	●	–

- contact our Technical Sales Department
- not suitable

- HFA oil in water emulsion (H₂O content ≥ 80%)
- HFC water polyglycol solution (H₂O content 35-55%)
- HFD-R synthetic, water-free phosphate ester

Biodegradable fluids

BF	HTG	HE	HPG	PRG
			PAG	
82, 162	+	+	●	●

+ suitable for all

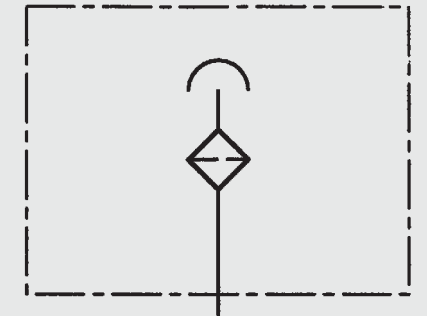
- contact our Technical Sales Department

- HTG vegetable oil based hydraulic fluids
- HE ester-based synthetic hydraulic fluids
- HPG polyglycol-based synthetic hydraulic fluids
- PAG sub-group HPG: polyalkylene glycol
- PEG sub-group HPG: polyethylene glycol

1.9 CHANGING INTERVALS

The filter elements or filters must be replaced as frequently as the fluid filters, but at least every 12 months.

Symbol



2. MODEL CODE (also order example)

BL P 162 S 10 W 1 . X /-FA12

2.1 COMPLETE FILTER

Filter type _____

BL

Filter material of element _____

P Paper

BN Betamicon® (for BL 82: only 20 µm available)

Size of filter or element _____

BL: 82, 162

Type and size of connection _____

Type	Connection	Filter size	
		82	162
F	Flange connection	●	●
S	Weld connection	●	●

Filtration rating in µm _____

P 10 absolute = 3µm in air

BN 10 = 1 µm absolute in air

20 = 2 µm absolute in air

Type of clogging indicator _____

W without port, no clogging indicator

K pressure gauge, measurement range -1 to +0.6 bar

Type code _____

1 for BL 82

2 for BL 162

Modification number _____

X the latest version is always supplied

Supplementary details _____

FA12 with filler adapter G ½

FA34 with filler adapter G ¾

FA1 with filler adapter G 1

only for BL 162

2.2 REPLACEMENT ELEMENT

0080 MG 010 P

Size _____

0080 only BL 82

0160 only BL 162

Type _____

MA only BL BN 162...

MU only BL P 162...

MG only BL .. 82...

Filtration rating in µm _____

P : 010

BN : 010, 020 (for BL 82: only 20 µm available)

Filter material _____

P, BN

2.3 REPLACEMENT CLOGGING INDICATOR

VMF 0.6 K . X

Type of indicator _____

VMF pressure gauge

Pressure setting _____

0.6 -1 to +0.6 bar

Type of clogging indicator _____

K (see Point 2.1)

Modification number _____

X the latest version is always supplied

3. FILTER CALCULATION / SIZING

3.1 SINGLE PASS FILTRATION PERFORMANCE DATA FOR AIR FILTER ELEMENTS

The following separation values were established under real-life simulated conditions.

This means that the selected velocity of the flow against the filter mesh-pack was 20 cm/s and the contamination added was 40 mg/m³ of ISO MTD test dust.

Filtration rating	Retention value d...	For particle size	Filter material
10 µm	d 80	0.25 µm	BN
	d 100	0.84 µm	
20 µm	d 80	0.36 µm	P
	d 100	1.21 µm	
10 µm	d 80	1.49 µm	P
	d 100	9.56 µm	

The d 80 value refers to the particle size which is filtered out at a rate of 80% during the retention test.

The particle size determined by this method is called the nominal filtration rating of the air filter. The d 100 value therefore refers to the particle size which is filtered out at a rate of 100% during the single pass test.

The particle size determined by this method is called the absolute filtration rating of the air filter.

Table of average dust concentrations in real life:

Urban regions with a low level of industry	3-7 mg/m ³ air
General mechanical engineering	9-23 mg/m ³ air
Construction industry (wheeled vehicles)	8-35 mg/m ³ air
Construction industry (tracked vehicles)	35-100 mg/m ³ air
Heavy industry	50-70 mg/m ³ air

3.2 DIFFERENTIAL PRESSURE ACROSS BREATHER FILTER

The differential pressure (with clean element) for the various filter sizes is shown in the graphs under Point 3.4.

3.3 SIZING GUIDELINES

The rate at which contamination enters a hydraulic system can be considerably reduced by using efficient tank breather filtration.

CAUTION:

Incorrectly sized tank breather filters can place additional strain on the system and reduce the service life of hydraulic filter elements.

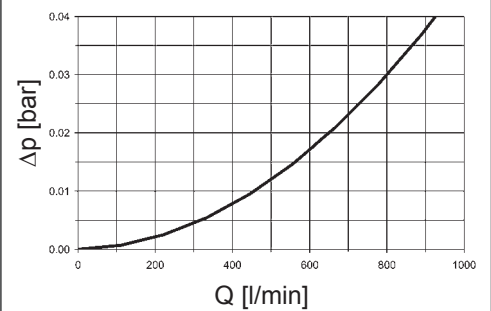
For optimum sizing the following should therefore be observed:

- Filtration rating of breather filter ≤ filtration rating of hydraulic filter
- Only use breather filters with an absolute retention rate ($d_{100} \leq x \mu\text{m}$; x = given filtration rating)
- Max. permitted initial pressure drop: 0.01 bar (with a clean filter element and at calculated air flow)
- Determining the calculated air flow:
 $Q_A = f_5 \times Q_p$
 Q_A = calculated air flow in l_N/min
 f_5 = factor for operating conditions
 Q_p = max. flow rate of the hydraulic pump in l/min

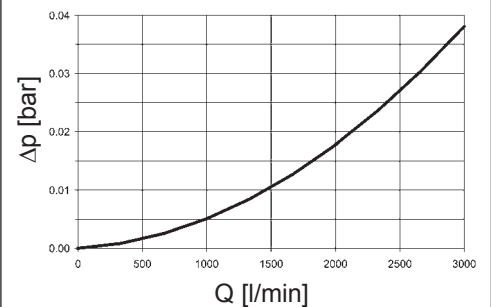
Ambient conditions	Factor f ₅
Low dust concentration; filter fitted with clogging indicator; continuous monitoring of the filter	1-2
Average dust concentration; filter without clogging indicator; intermittent monitoring of the filter	3-6
High dust concentration; filter without clogging indicator; infrequent or no monitoring of the filter	7-10

3.4 AIR FLOW RATE

BL 82

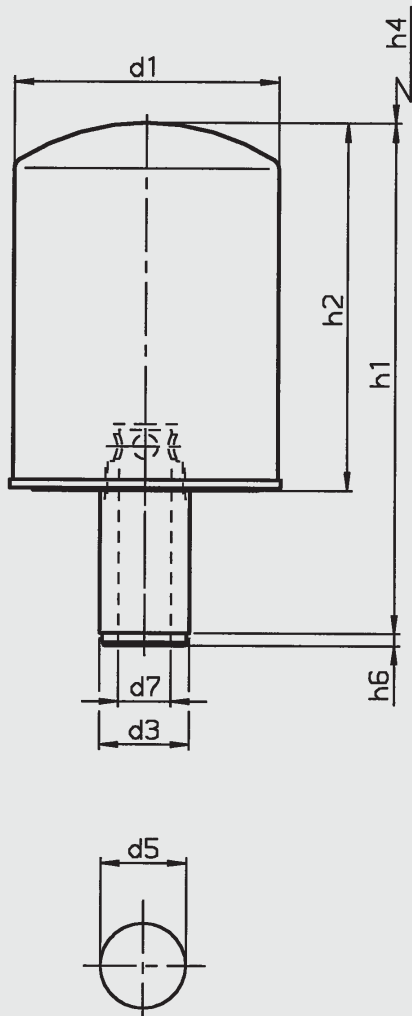


BL 162

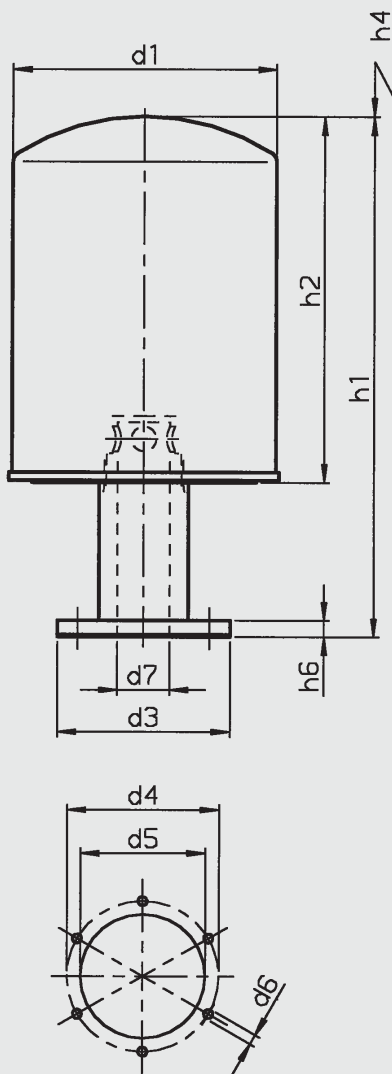


4. DIMENSIONS

BL 82 S..., BL 162 S...



BL 82 F..., BL 162 F...



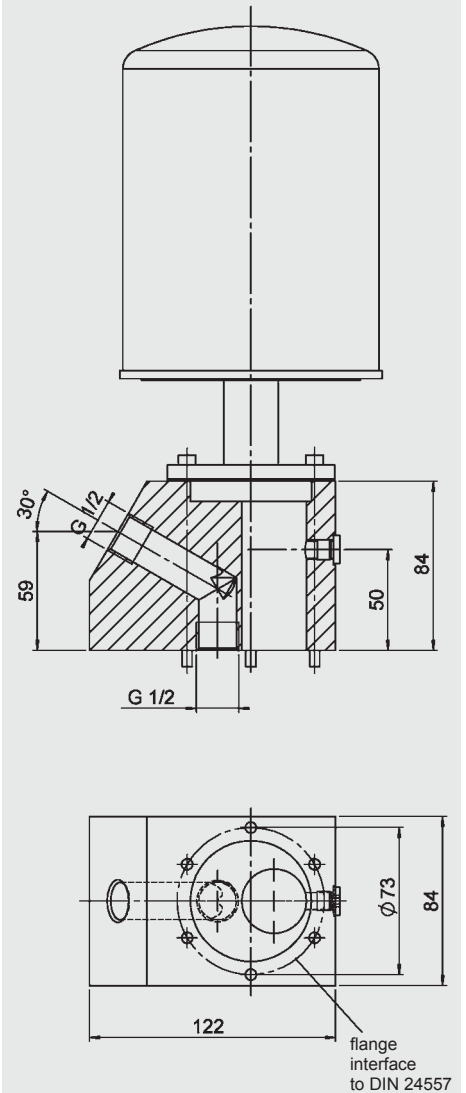
	BL 82 S...	BL 162 S...
d1	98	127
d3	27	43
d5	25	41
d7	16	25
h1	186	245
h2	142	175
h4	90	90
h6	6	6
Weight	0.95 kg	1.75 kg

	BL 82 F...	BL 162 F...
d1	98	127
d3	80	80
d4	73	73
d5	60	60
d6	M5	M5
d7	16	25
h1	204	260
h2	142	175
h4	90	90
h6	7	7
Weight	1.30 kg	2.10 kg

NOTE

The information in this brochure relates to the operating conditions and applications described.
For applications or operating conditions not described, please contact the relevant technical department.
Subject to technical modifications.

5. FILLER ADAPTER



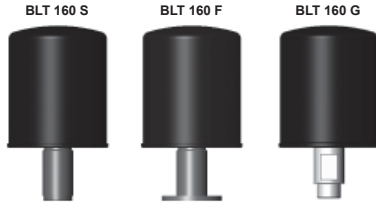
These filler adapters are available in the following threaded connections:

- Adapter FA12
Connection: G 1/2
(Part No.: 00318597)
- Adapter FA34
Connection: G 3/4
(Part No.: 01282563)
- Adapter FA1
Connection: G 1
(Part No.: 01274065)

HYDAC FILTERTECHNIK GMBH
Industriegebiet
D-66280 Sulzbach/Saar, Germany
Tel.: 0 68 97 / 509-01
Fax: 0 68 97 / 509-300
Internet: www.hydac.com
E-mail: filter@hydac.com



Tank Breather Filter and Dehumidifier BLT up to 270 l/min



1. TECHNICAL SPECIFICATIONS

1.1 FILTER HOUSING

Construction

The filters consist of a spin-on can which screws onto a connection tube which is fitted to the oil tank. The connection can either be a flange, weld or threaded version.

1.2 FILTER CARTRIDGES

The filter cartridges comply with all relevant ISO test criteria.

1.3 SEALS

Cardboard for flange model.

1.4 SPECIAL MODELS AND ACCESSORIES

On request

1.5 SPARE PARTS

See Original Spare Parts List

1.6 CERTIFICATES AND APPROVALS

On request

1.7 FILTER SPECIFICATIONS

Temperature range	-30 °C to +100 °C
Material of connection tube	Steel
Material of spin-on can	Sheet steel

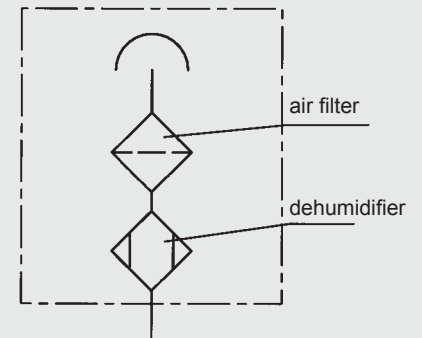
1.8 COMPATIBILITY WITH HYDRAULIC FLUIDS ISO 2943

The tank breather filter/dehumidifier BLT is suitable for use with all standard mineral and lubrication oils.

1.9 CHANGING INTERVALS

The filter elements or filters must be replaced as frequently as the fluid filters, but at least every 6 months.

Symbol



2. MODEL CODE

2.1 COMPLETE FILTER

Filter type _____

BLT

Filter material _____

M molecular sieve

Size of filter _____

160

Type and size of connection _____

Type	Connection	Filter size
		160
F	Flange connection	●
S	Weld connection	●
G	Threaded connection	●

Filtration rating in µm _____

3 3 µm absolute

Type of clogging indicator _____

W without port, no clogging indicator

Type code _____

1

Modification number _____

X the latest version is always supplied

BLT M 160 F 3 W 1 . X

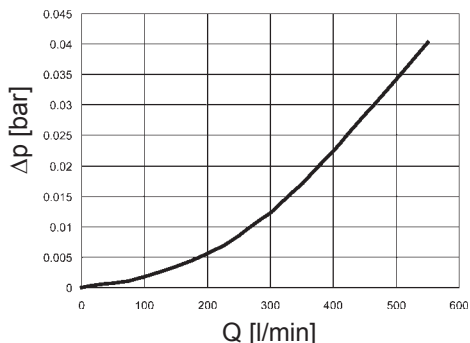
2.2 REPLACEMENT CARTRIDGE: 0160 MU 003 M

3. FILTER CALCULATION / SIZING

Differential pressure across breather filter

The differential pressure in the clean condition is shown in the graph below.

BLT 160



3.1 SIZING GUIDELINES

The rate at which contamination and humidity enters a hydraulic system can be considerably reduced by using efficient tank breather filtration.

CAUTION:

Incorrectly sized tank breather filters can place additional strain on the system and reduce the service life of hydraulic filter elements.

For optimum sizing the following should therefore be observed:

- Filtration rating of breather filter ≤ filtration rating of hydraulic filter
- Only use breather filters with an absolute retention rate ($d_{100} \leq x \mu\text{m}$; x = given filtration rating)
- Max. permitted initial pressure drop: 0.01 bar (with a clean filter element and at calculated air flow)
- Determining the calculated air flow:
 $Q_A = f_5 \times Q_p$
 Q_A = calculated air flow in l_N/min
 f_5 = factor for operating conditions
 Q_p = max. flow rate of the hydraulic pump in l/min

Ambient conditions	Factor f5
Low dust concentration; filter fitted with clogging indicator; continuous monitoring of the filter	1-2
Average dust concentration; filter without clogging indicator; intermittent monitoring of the filter	3-6
High dust concentration; filter without clogging indicator; infrequent or no monitoring of the filter	7-10

3.2 WATER RETENTION CAPACITY

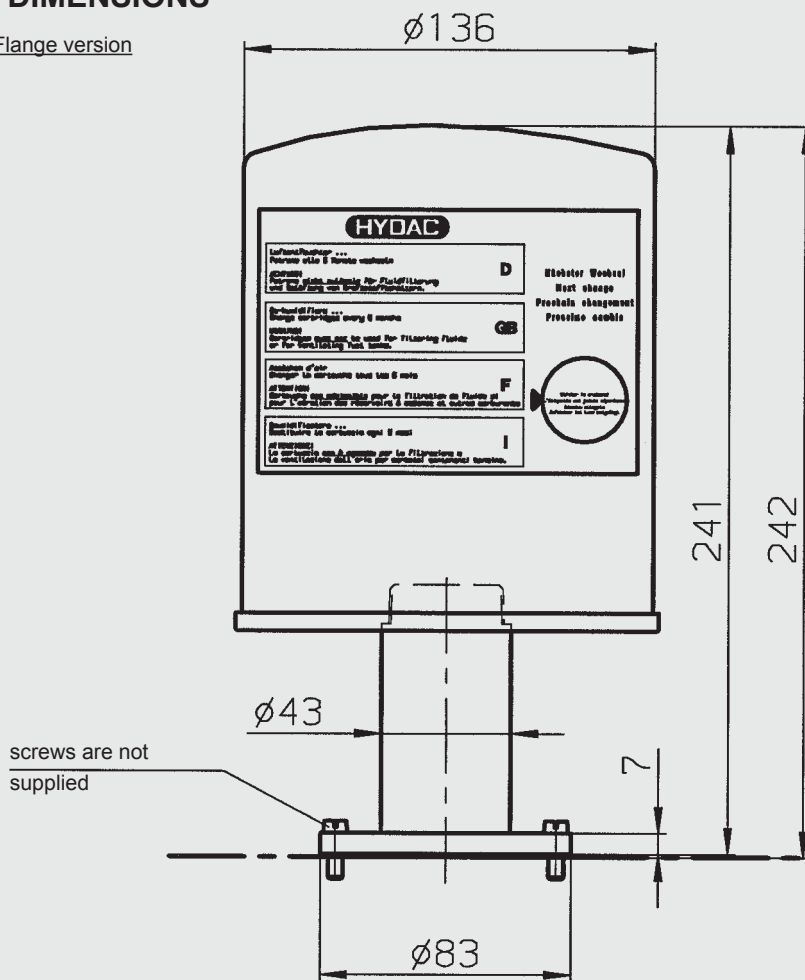
Temperature	Rel. humidity	gH ₂ O
0 °C	30%	190
15 °C	60%	210
25 °C	90%	230

NOTE

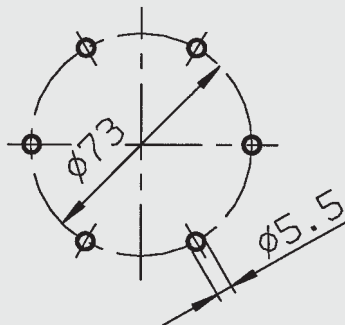
The information in this brochure relates to the operating conditions and applications described.
 For applications or operating conditions not described, please contact the relevant technical department.
 Subject to technical modifications.

4. DIMENSIONS

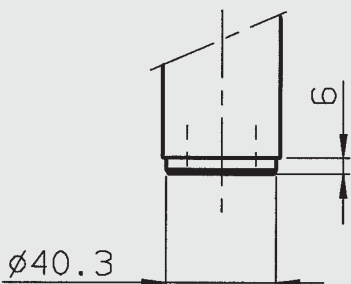
Flange version



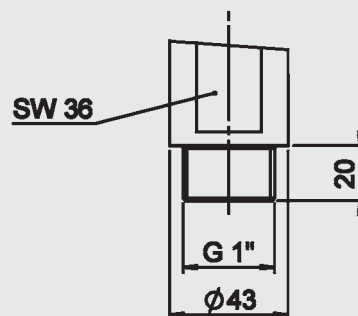
Interface to DIN 24557/Part 2



Weld version



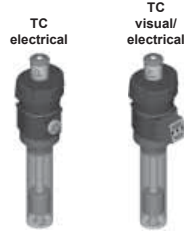
Threaded version



HYDAC FILTERTECHNIK GMBH
 Industriegebiet
D-66280 Sulzbach/Saar, Germany
 Tel.: 0 68 97 / 509-01
 Fax: 0 68 97 / 509-300
 Internet: www.hydac.com
 E-mail: filter@hydac.com



TankConditioner® TC with Breather Filter, Float Switch and Temperature Monitoring System



1. TECHNICAL SPECIFICATIONS

1.1 UNIT CONSTRUCTION

The TankConditioner® TC is a multi-functional unit consisting of a fluid level and temperature monitoring system, an optional temperature display and a breather filter BF7 or BF 72.

1.2 FLUID LEVEL MONITORING

Values are measured using the float principle. For simple monitoring functions (e.g. pump protection or tank level monitoring) the fluid level monitoring device has two bistable switch contacts which can be turned through 180° for either N/O or N/C function.

A resolution of 10 mm makes it easy to set the switch points to suit the requirements of the system. The switch points can also be displayed via 3 LEDs (green, yellow, red), if specially requested by the customer.

Depending on the type of unit, the actual oil level can also be output as an analogue control signal for system control.

Oil level monitoring is maintenance-free for fluids which do not form a residue on the sensor tube during operation.

1.3 FLUID TEMPERATURE MONITORING

The thermal contact required for this is fitted to the end of the contact strip and therefore monitors the oil temperature in the lower part of the tank.

The normally closed contact responds at 70 °C and acts as an emergency cut-out.

If switching functions are to be carried out in conjunction with temperature monitoring (to control an oil cooler, for example) then, depending on the model, up to 2 PNP switch outputs can either be programmed hysteresis-free from 0-100 °C, or can be output as an analogue control signal.

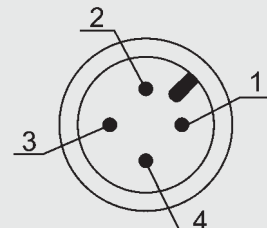
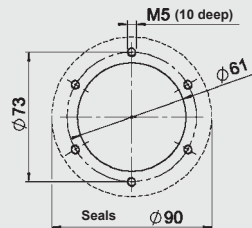
1.4 TANK BREATHER FILTER

To meet the most likely customer requirements, the TankConditioner® TC is fitted with the BF 7 or BF 72 breather filter as standard.

The breather filter is designed in such a way that it is impossible to fill or top up the tank with hydraulic fluid via the filter housing (exception: version FABF). The TankConditioner TC can be supplied without a port for a clogging indicator or with a visual-analogue clogging indicator. To make the breather filter even more maintenance-friendly, we recommend fitting a UBM type clogging indicator, which is easily visible and includes a memory function. The yellow reset button is used to reset the indicator after changing the element.

1.5 GENERAL TECHNICAL SPECIFICATIONS

Flange connection	DIN 24557/ Part 2: mounting hole Ø61
Installation position	vertical ±30°
Operating voltage	12V ... 30V DC
Electrical connection	Male: Series M12x1/ 4 pole IP67 For type S44 screened cables must be provided by the customer!
Filter element	3 µm
Air flow rate	BF 7: max. 900 l _N /min BF 72: max. 1200 l _N /min
Sensor tube / float / protective sleeve (option)	synthetic material / brass (optional stainless steel)
Nominal pressure	max. 1 bar
Temperature of fluid	max. 100 °C
Flange connection to DIN 24557 / Part 2	For pin assignment see point 3 Dimensions



For further information, please see point 3

1.6 TANK FILLING OPTION

For simple applications the tank can be filled via the breather filter (see Supplementary Details code FABF). To protect the hydraulics a filler-strainer is built into the tank flange as a coarse filter. For high performance hydraulic systems we recommend the filling connection which allows the filling of filtered oil to be monitored (Supplementary Details FA34). The required quick release coupling is not supplied.

1.7 FILTER ELEMENTS

Contamination retention capacities in g

	Paper
BF	3 µm
7	26.1
72	52.2

1.8 SEALS

NBR (= Perbunan)
NBR and cork for version FA34

1.9 WAVE MOTION PROTECTION

Wave motion on the surface of the oil can affect the float and can therefore cause measurement errors, particularly in large tanks. A protective sleeve is therefore available in brass (type code 1.x) or stainless steel (type code 2.x) as an accessory for these applications.

1.10 FLOAT

To ensure compatibility with many standard hydraulic fluids, the TankConditioner® TC sensor tube and float are made from synthetic material and brass, with stainless steel as an option.

1.11 COMPATIBILITY WITH HYDRAULIC FLUIDS ISO 2943

Brass version:

- Hydraulic oils H to HLPD DIN 51524
- Lubrication oils DIN 51517, API, ACEA, DIN 51515, ISO 6743

Stainless steel version:

- Hydraulic oils H to HLPD DIN 51524
- Lubrication oils DIN 51517, API, ACEA, DIN 51515, ISO 6743
- Biodegradable operating fluids VDMA 24568 HETG, HEES, HEPG
- Fire-resistant operating fluids HFA, HFB, HFC and HFD

2. MODEL CODE (also order example)

TC P 7 F 3 UBM + D 1 . X /-S12-V250 -SSR

2.1 COMPLETE UNIT

Instrument type _____

TankConditioner® TC

Filter material _____

P Paper

Size of breather filter _____

7, 72

Connection _____

F flange (to DIN 24557 / Part 2)

Filtration rating in µm _____

3

Type of clogging indicator _____

W without port, no clogging indicator

UBM with visual vacuum indicator

Type of temperature monitoring _____

C electrical

D visual/electrical

Type code _____

1 material of float: polyurethane; material of sensor tube: brass

2 material of float and sensor tube: stainless steel

Modification number _____

X the latest version is always supplied

Supplementary details

Required: Switch assignment: _____

Switch	Fluid level	Temperature
S	1	2
S	4	4

1 = fluid level contact; normal setting: L1 = rising N/O, L2 = rising N/C
2 = N/C, 4 = measuring range 4-20mA

V250 Length of the sensor tube = 250 mm

V370 Length of the sensor tube = 370 mm

V520 Length of the sensor tube = 520 mm

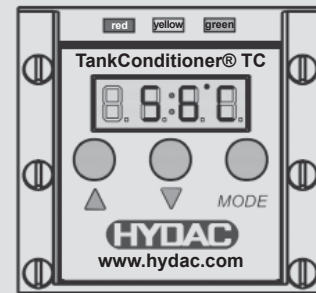
Optional:

SSR wave protection sleeve _____
(material, brass or stainless steel, is indicated by type code 1 or 2,
i.e. 1 = brass / 2 = stainless steel)

FA34 filling adapter with G 3/4 connection (including wave protection sleeve)

FABF filling via breather filter (including wave protection sleeve)

LED optional LED display for fluid level (green = operating;
yellow = warning; red = critical)
(for this option, please contact HYDAC)



2.2 REPLACEMENT FILTER ELEMENT

Size _____

0007, 0072

Type _____

L

Filtration rating in µm _____

003

Filter material _____

P Paper

0007 L 003 P

2.3 PREFERRED MODELS

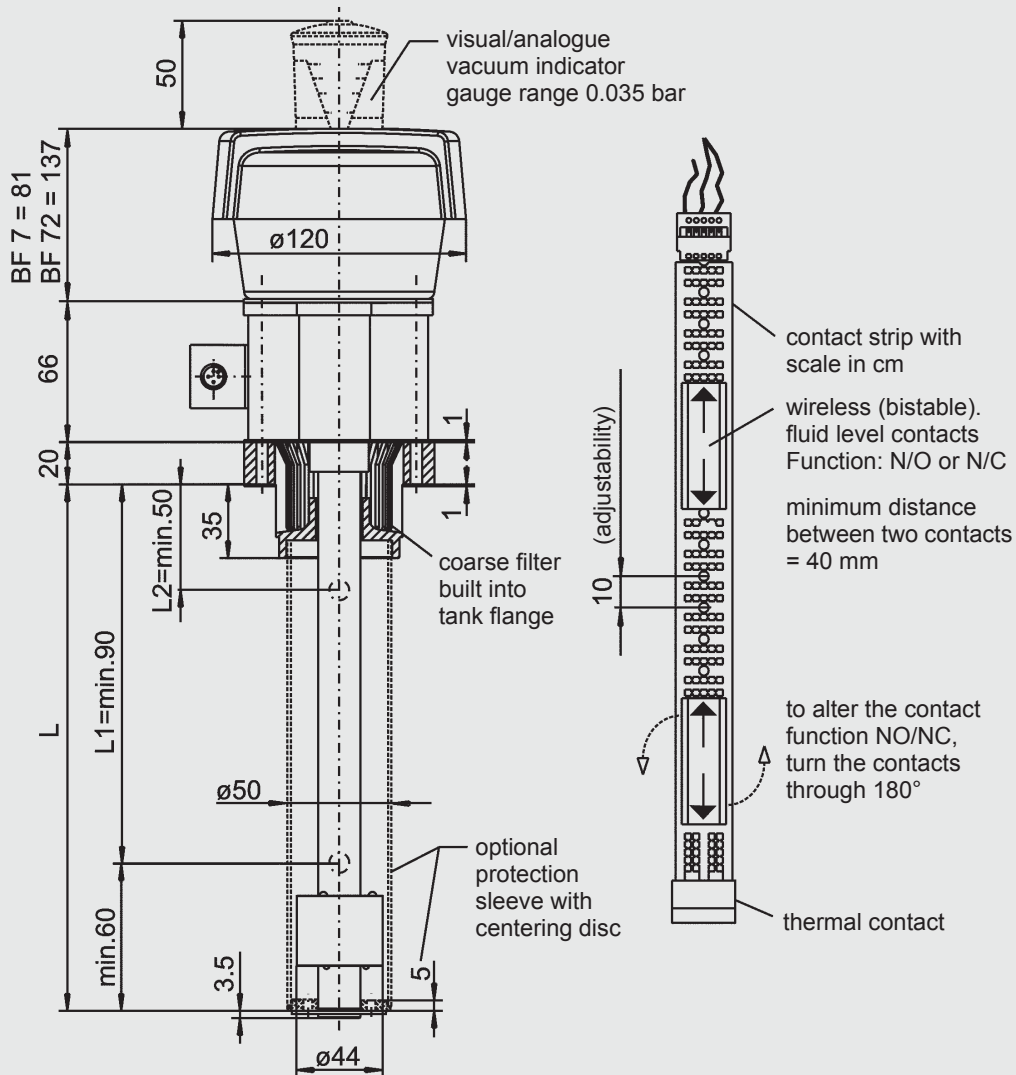
Out of the different models of TankConditioner® TC, with all the options available to the customer, the following are designated "preferred models":

- TC P 7 F 3 UBM+C 1.0 /-S12-Vxxx
- TC P 7 F 3 UBM+D 1.0 /-S12-Vxxx
- TC P 7 F 3 UBM+C 1.0 /-S12-Vxxx-FABF
- TC P 7 F 3 UBM+D 1.0 /-S12-Vxxx-FABF
- TC P 7 F 3 UBM+D 1.0 /-S12-Vxxx-FA34
- TC P 7 F 3 UBM+C 1.0 /-S44-Vxxx-FA34

3. DIMENSIONS and TECHNICAL SPECIFICATIONS

3.1 TANKCONDITIONER® TC WITH SUPPLEMENTARY CODE "S12"

Version TC...C 1.x /-S12-Vxxx...(brass/synthetic material)

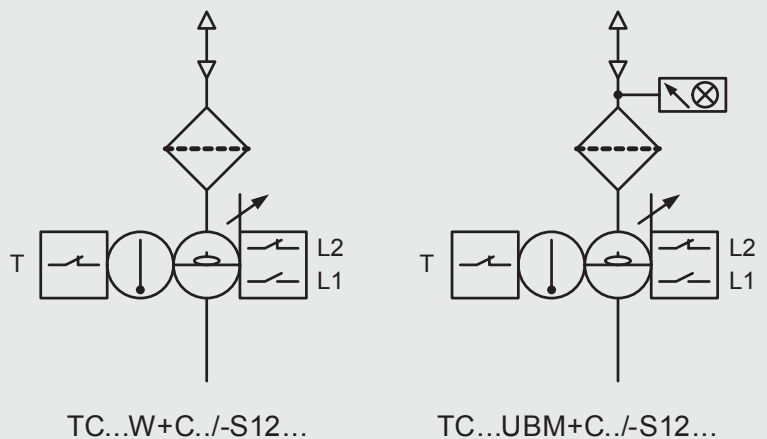
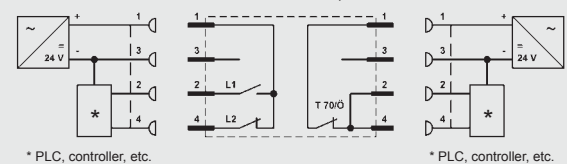


TECHNICAL SPECIFICATIONS

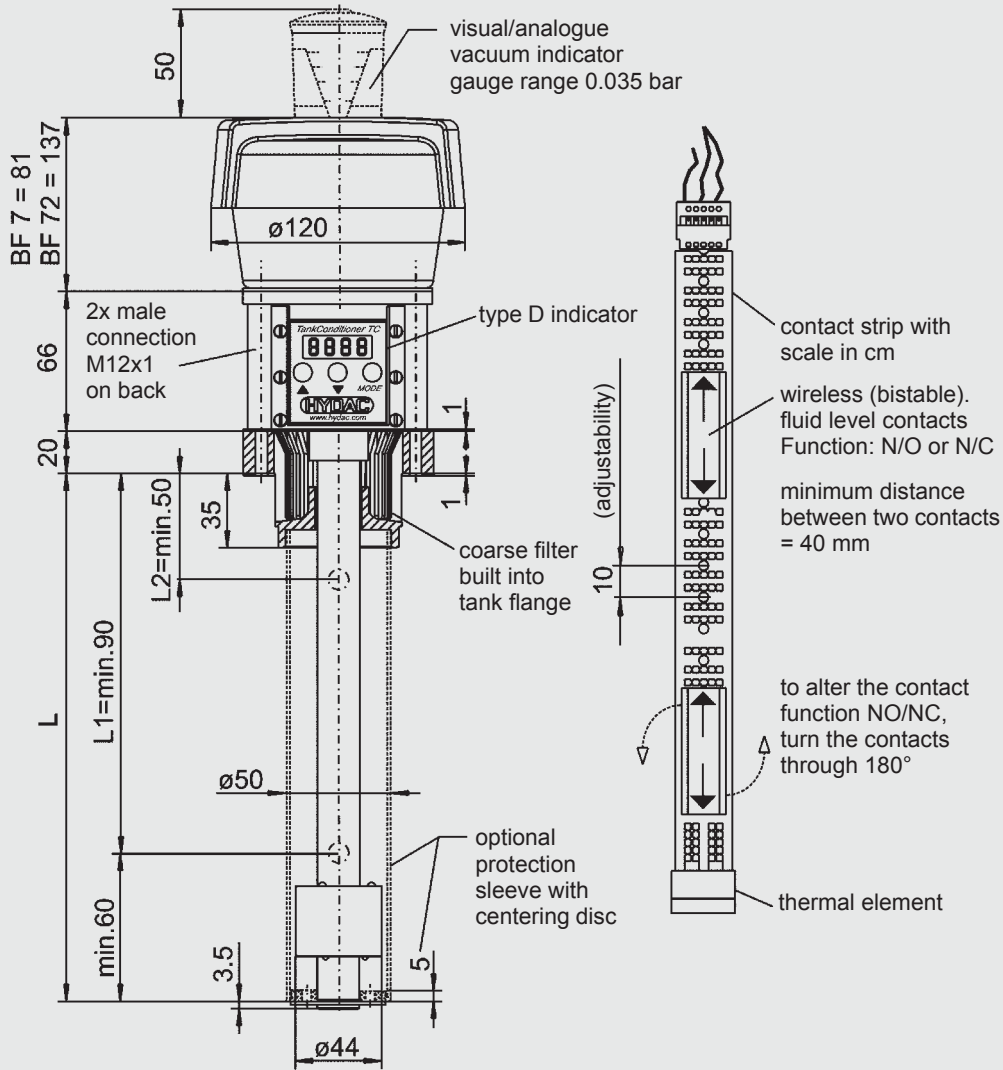
Level switch points	bistable N/O / N/C Max. 2 can be set
Resolution	10 mm
Hysteresis	4 mm
Thermal contact	T70 °C / N/C
Switching capacity	10W / VA max 30 V / DC max.
Switching current	1 A max.

Male connections	
Connection A	Connection B
Level contact(s): 1 = 12V-30V DC 2 = level L1 (+UB) 3 = not connected 4 = level L2 (+UB)	Temp. contact(s): 1 = 12V-30V DC 2 + 4 = T70 / N/C (+UB) 3 = not connected

customer equipment	Connection A M12x1, 4-pole	Connection B M12x1, 4-pole	customer equipment
	Level	Temperature	

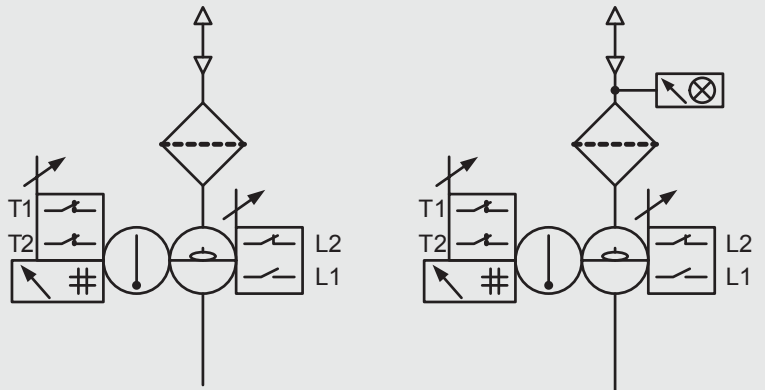


Factory normal setting for type S12: "pump protection monitoring"					
Switch points	Sensor tube length L		Contact function of fluid level contacts	Possible application	
L2	250	370	520	NC - rising N/C	Warning at "min. tank level"
L1	150	270	420	NO - rising N/O	Cut-out at "min. tank level"

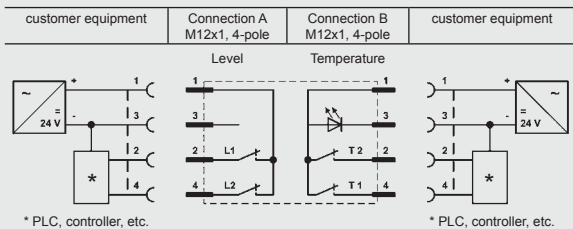


TECHNICAL SPECIFICATIONS

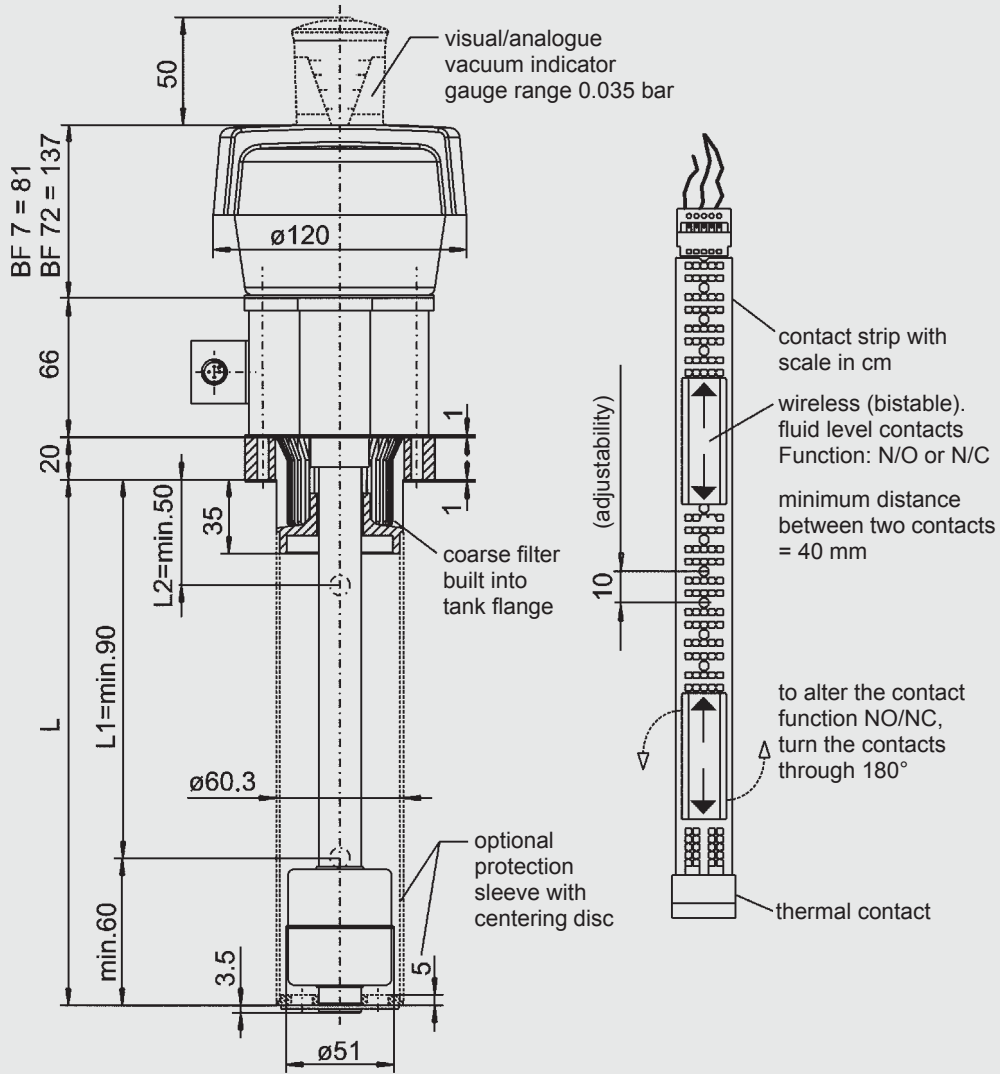
Fluid level switch points	bistable N/O / N/C Max. 2 can be set
Resolution	10 mm
Hysteresis	4 mm
Thermal element	Pt100
Temp. switch points	Max. 2 can be set
Hysteresis	1 – 99 K can be set
Switching capacity	10W / VA max 30 V / DC max.
Switching current	1 A max.
Display for temperature monitoring	LED 3-digit (4-digit w/o unit of meas.)
Indication range	-20 °C to +120 °C (-4 ° to +248 °F)



Male connections	
Connection A	Connection B
Level contacts: 1 = 12V-30V DC 2 = level L1 (+UB) 3 = not connected 4 = level L2 (+UB)	Temperature contacts: 1 = 12V-30V DC 2 = temp. 2 (+UB) 3 = GND (0V) 4 = temp. 1 (+UB)



Factory normal setting for type S12: "pump protection monitoring"					
Switch points	Sensor tube length L			Contact function of fluid level contacts	Possible application
	250	370	520		
L2	150	270	420	NC - rising N/C	Warning at "min. tank level"
L1	190	310	460	NO - rising N/O	Cut-out at "min. tank level"

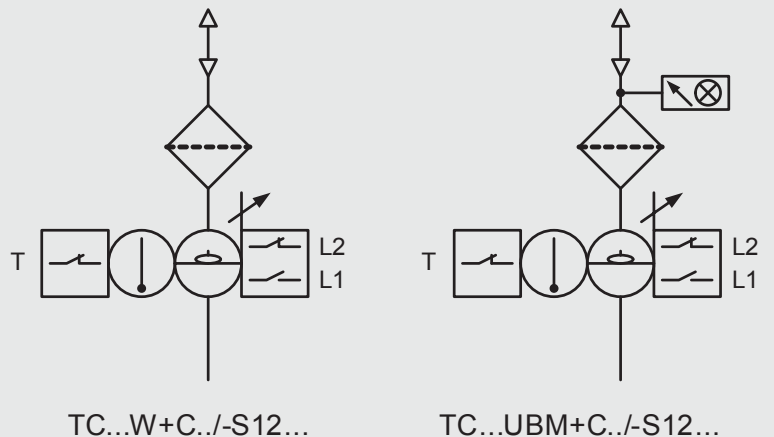
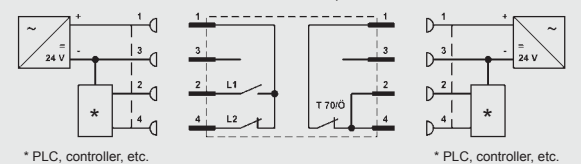


TECHNICAL SPECIFICATIONS

Level switch points	bistable N/O / N/C Max. 2 can be set
Resolution	10 mm
Hysteresis	4 mm
Thermal contact	T70 °C / N/C
Switching capacity	10W / VA max 30 V / DC max.
Switching current	1 A max.

	Male connections	
	Connection A Level contact(s): 1 = 12V-30V DC 2 = level L1 (+UB) 3 = not connected 4 = level L2 (+UB)	Connection B Temp. contact(s): 1 = 12V-30V DC 2 + 4 = T70 / opens (+UB) 3 = not connected

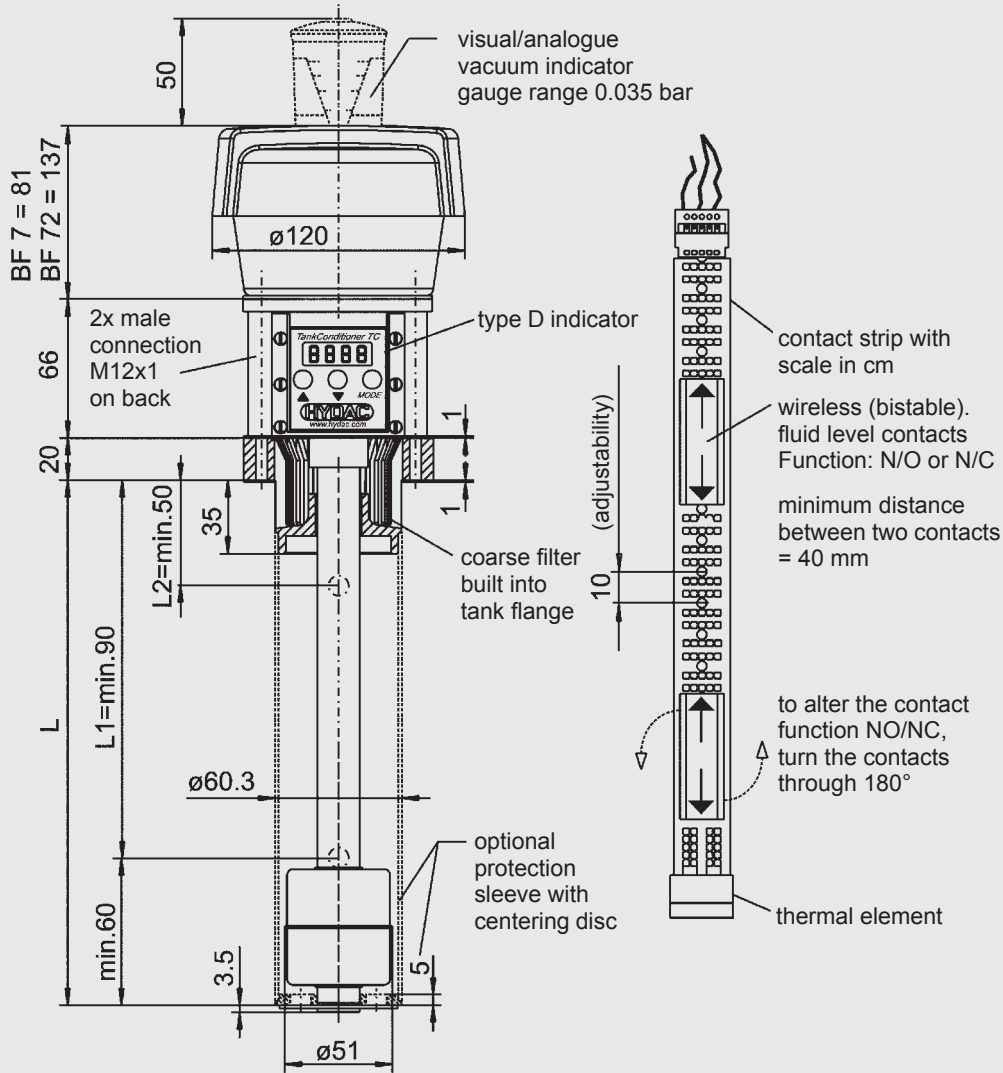
customer equipment	Connection A M12x1, 4-pole	Connection B M12x1, 4-pole	customer equipment
	Level	Temperature	



Factory normal setting for type S12: "pump protection monitoring"					
Switch points	Sensor tube length L			Contact function of fluid level contacts	Possible application
L2	250	370	520	NC - rising N/C	Warning at "min. tank level"
L1	150	270	420	NO - rising N/O	Cut-out at "min. tank level"

* PLC, controller, etc.

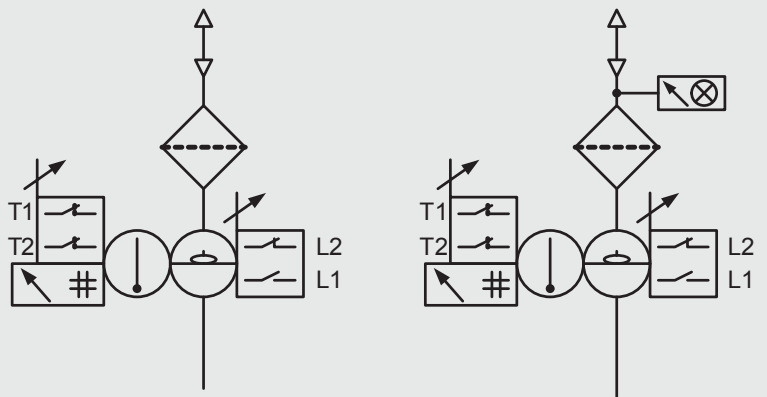
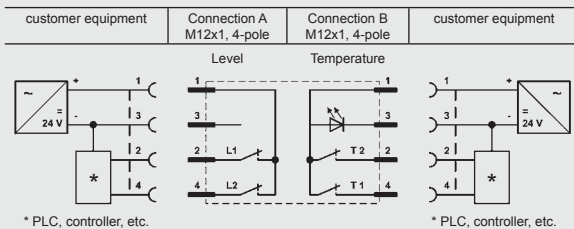
* PLC, controller, etc.



TECHNICAL SPECIFICATIONS

Fluid level switch points	bistable N/O / N/C Max. 2 can be set
Resolution	10 mm
Hysteresis	4 mm
Thermal element	Pt100
Temp. switch points	Max. 2 can be set
Hysteresis	1 – 99 K can be set
Switching capacity	10W / VA max 30 V / DC max.
Switching current	1 A max.
Display for temperature monitoring	LED 3-digit (4-digit w/o unit of meas.)
Indication range	-20 °C to +120 °C (-4 ° to +248 °F)

Male connections	
Connection A	Connection B
Level contacts: 1 = 12V-30V DC 2 = level L1 (+UB) 3 = not connected 4 = level L2 (+UB)	Temperature contacts: 1 = 12V-30V DC 2 = temp. 2 (+UB) 3 = GND (0V) 4 = temp. 1 (+UB)



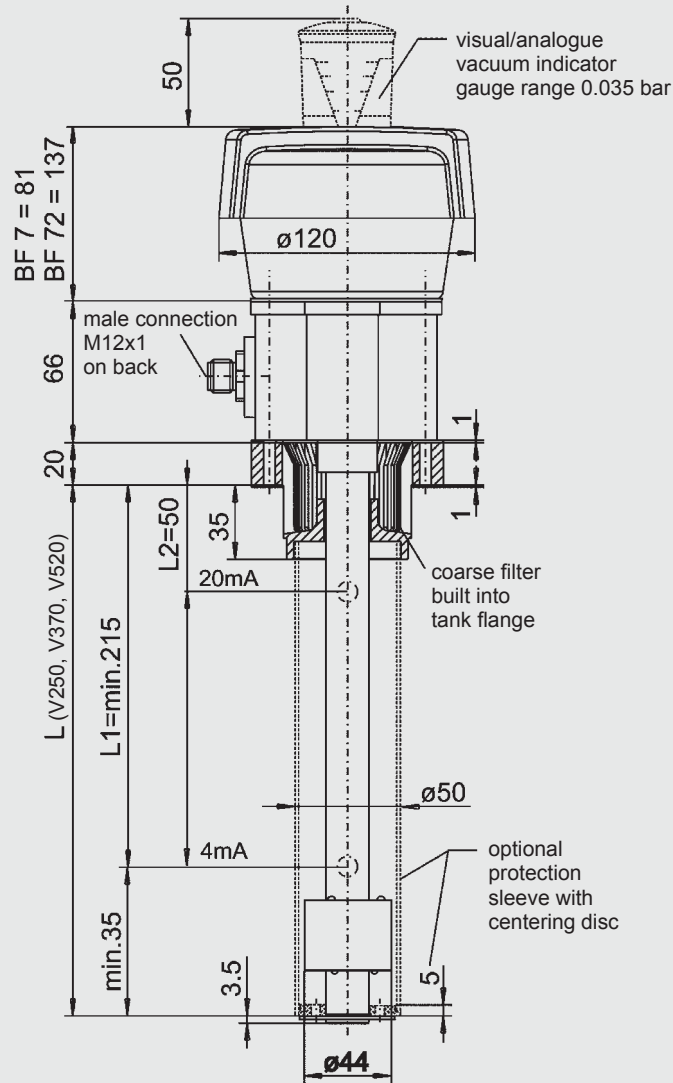
TC...W+D../-S12...

TC...UBM+D../-S12...

Factory normal setting for type S12: "pump protection monitoring"					
Switch points	Sensor tube length L		Contact function of fluid level contacts	Possible application	
L2	250	370	520	NC - rising N/C	Warning at "min. tank level"
L1	190	310	460	NO - rising N/O	Cut-out at "min. tank level"

3.2 TANKCONDITIONER® TC WITH SUPPLEMENTARY CODE "S44"

Version TC...C 1.x /-S44-Vxxx... (brass/synthetic material)



TECHNICAL SPECIFICATIONS

Fluid level monitoring	
Output signal	4 – 20 mA
Meas. range for V250	165 mm
Meas. range for V370	285 mm
Meas. range for V520	435 mm
Resolution	4 mm
Hysteresis	0 – 10%
Temperature monitoring	
Output signal	4 – 20 mA
Measuring range	0 – 100 °C
Hysteresis	0 – 1 K
Ohmic resistance	$RB = U - 8 V$ 20 mA
Data transfer	Screened cable must be provided!

Male connections

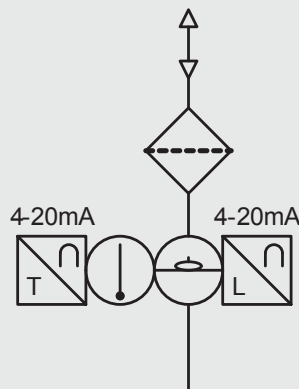
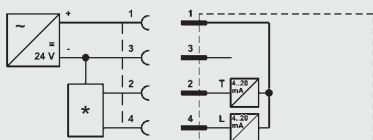
Connection

Fluid level/Temperature signals:

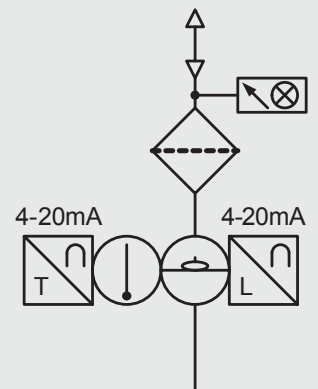
- 1 = 12V-30V DC
- 2 = temperature 4 – 20 mA
- 3 = not connected
- 4 = level 4 – 20 mA

customer equipment	Connection A M12x1, 4-pole
--------------------	-------------------------------

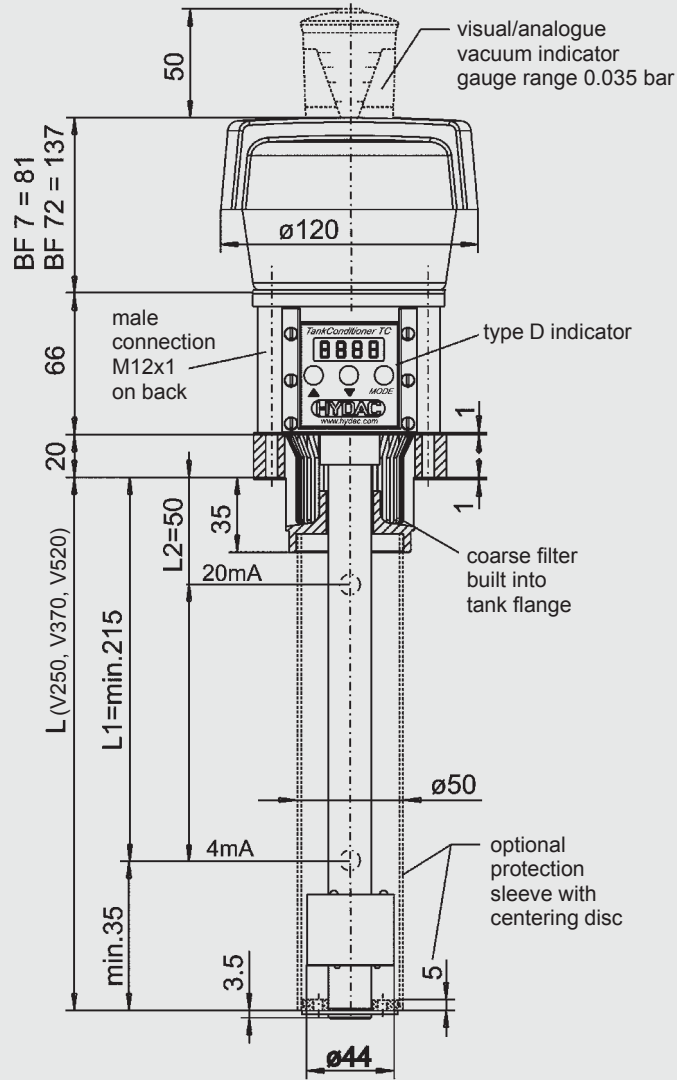
Level and Temperature



TC...W+C../-S44...



TC...UBM+C../-S44...

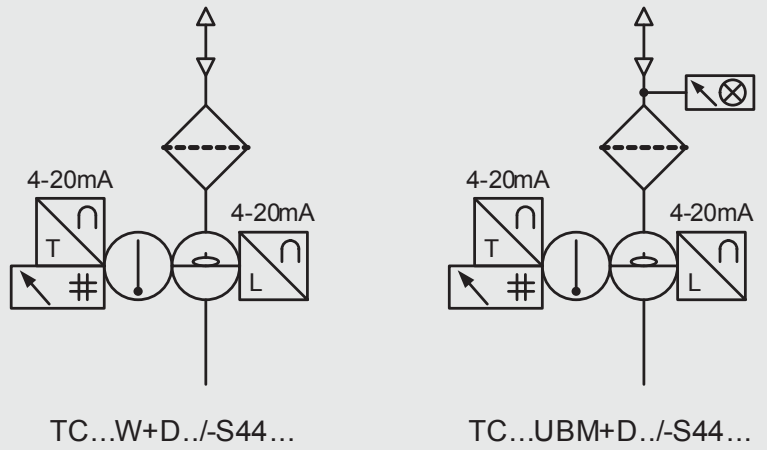
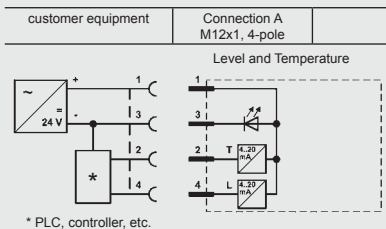


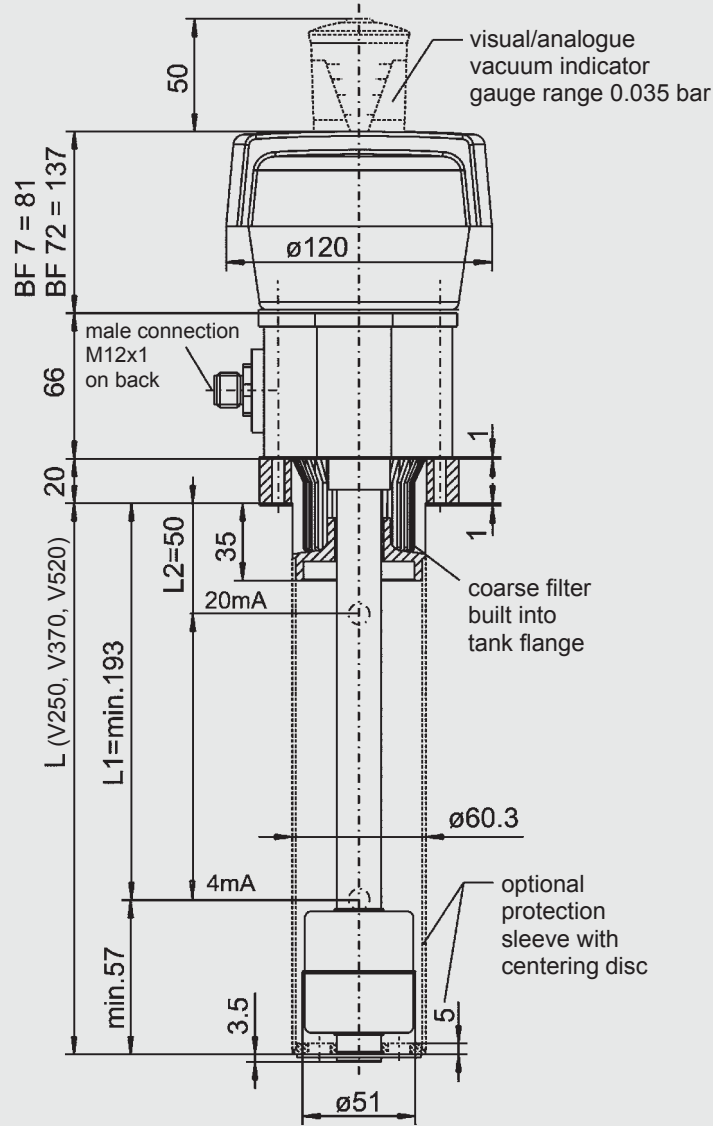
TECHNICAL SPECIFICATIONS

Fluid level monitoring	
Output signal	4 – 20 mA
Meas. range for V250	165 mm
Meas. range for V370	285 mm
Meas. range for V520	435 mm
Resolution	4 mm
hysteresis	0 – 10%
Temperature monitoring	
Output signal	4 – 20 mA
Measuring range	0 – 100 °C
Hysteresis	0 – 1 K
Ohmic resistance	$R_B = U - 8 V$ 20 mA
Data transfer	Screened cable must be provided!
Display for temperature monitoring	LED 3-digit (4-digit w/o unit of meas.)
Indication range	-20 °C to +120 °C (-4 ° to +248 °F)

Male connections

Connection
 Fluid level/Temperature signals:
 1 = 12V-30V DC
 2 = temperature 4 – 20 mA
 3 = GND (0V)
 4 = level 4 – 20 mA





TECHNICAL SPECIFICATIONS

Fluid level monitoring	
Output signal	4 – 20 mA
Meas. range for V250	143 mm
Meas. range for V370	263 mm
Meas. range for V520	413 mm
Resolution	7.5 mm
Hysteresis	0 – 10%
Temperature monitoring	
Output signal	4 – 20 mA
Measuring range	0 – 100 °C
Hysteresis	0 – 1 K
Ohmic resistance	$RB = U - 8 V$ 20 mA
Data transfer	Screened cable must be provided!

Male connections

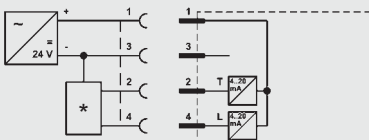
Connection

Fluid level/Temperature signals:

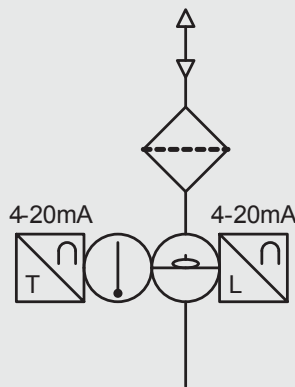
- 1 = 12V-30V DC
- 2 = temperature 4 – 20 mA
- 3 = not connected
- 4 = level 4 – 20 mA

customer equipment	Connection A M12x1, 4-pole
--------------------	-------------------------------

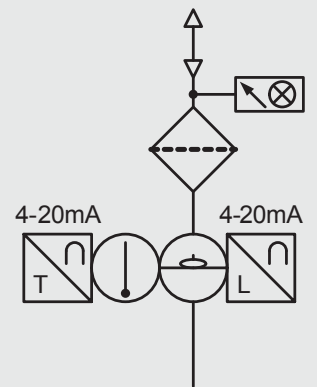
Level and Temperature



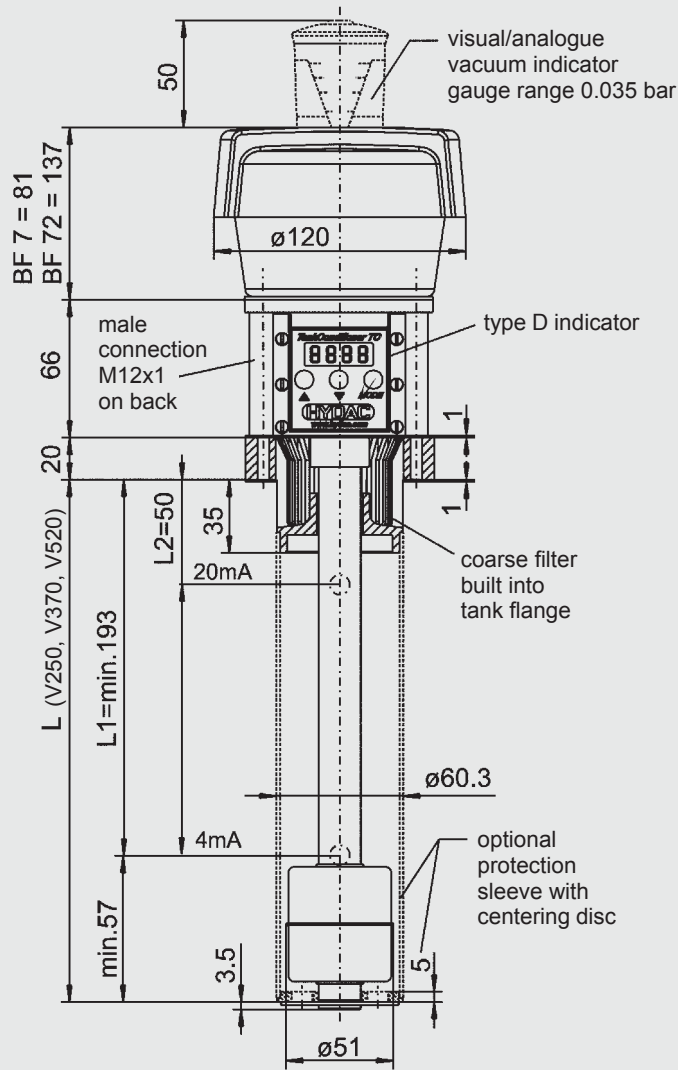
* PLC, controller, etc.



TC...W+C../-S44...

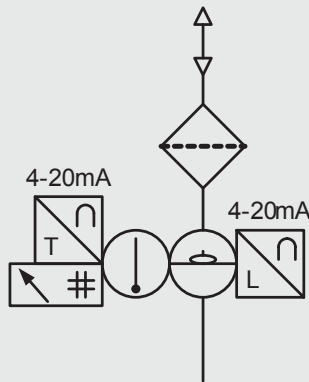


TC...UBM+C../-S44...

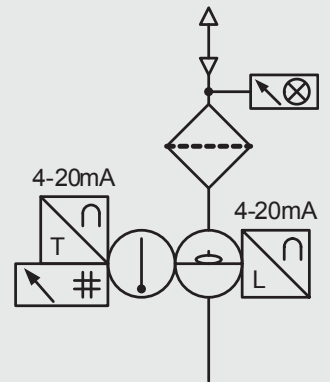


TECHNICAL SPECIFICATIONS

Fluid level monitoring	
Output signal	4 – 20 mA
Meas. range for V250	143 mm
Meas. range for V370	263 mm
Meas. range for V520	413 mm
Resolution	7.5 mm
Hysteresis	0 – 10%
Temperature monitoring	
Output signal	4 – 20 mA
Measuring range	0 – 100 °C
Hysteresis	0 – 1 K
Ohmic resistance	$R_B = U - 8 V$ 20 mA
Data transfer	Screened cable must be provided!
Display for temperature monitoring	LED 3-digit (4-digit w/o unit of meas.)
Indication range	-20 °C to +120 °C (-4 ° to +248 °F)



TC...W+D../-S44...



TC...UBM+D../-S44...

Male connections

Connection

Fluid level/Temperature signals:

1 = 12V-30V DC

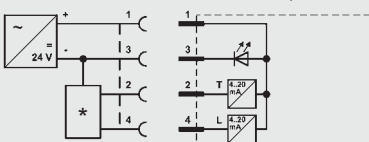
2 = temperature 4 – 20 mA

3 = GND (0V)

4 = level 4 – 20 mA

customer equipment	Connection A M12x1, 4-pole
--------------------	-------------------------------

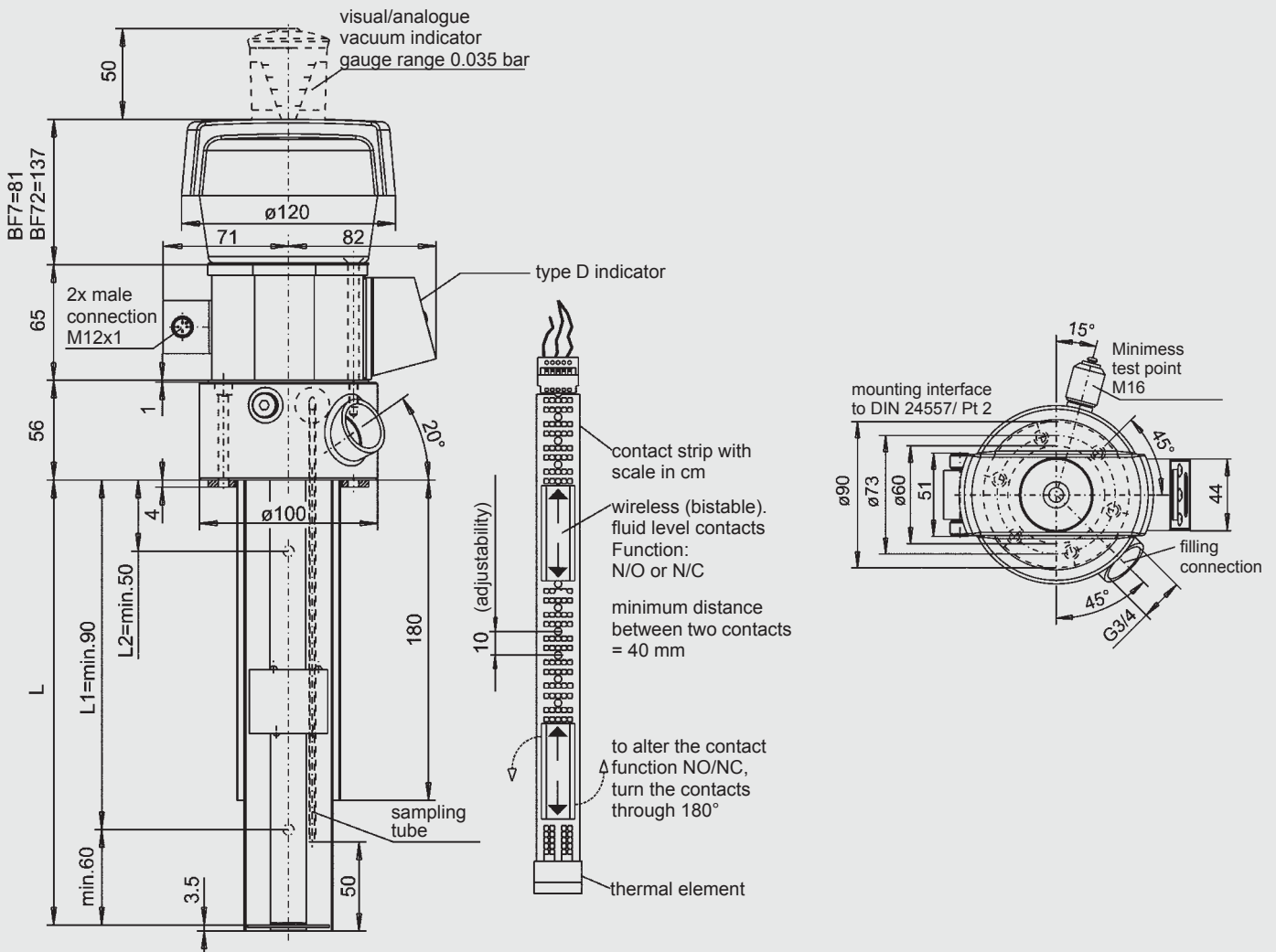
Level and Temperature



* PLC, controller, etc.

3.3 TANKCONDITIONER® TC WITH ADDITIONAL SUPPLEMENTARY CODE "FA34"

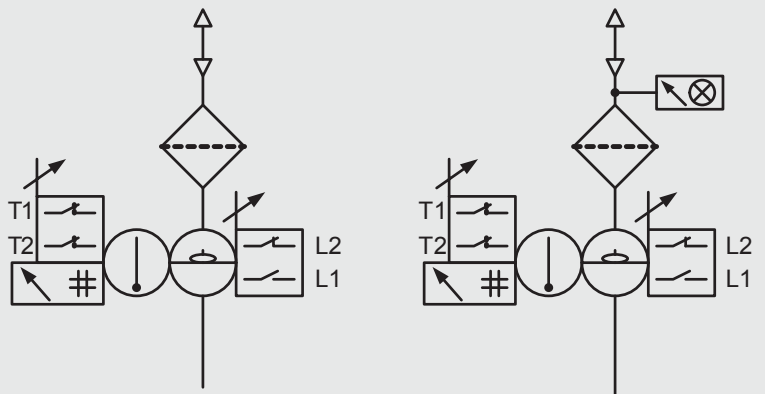
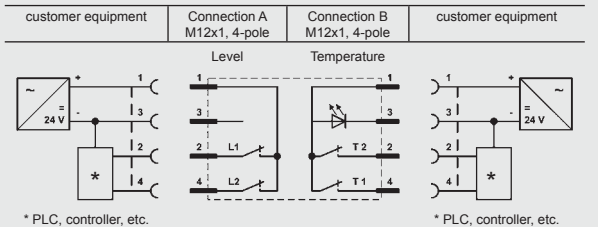
Version TC...D 1.x /-S12-Vxxx-FA34 (FA34 with filling adapter)



TECHNICAL SPECIFICATIONS

Fluid level switch points	bistable N/O / N/C Max. 2 can be set
Resolution	10 mm
Hysteresis	4 mm
Thermal element	Pt100
Temp. switch points	Max. 2 can be set
Hysteresis	1 – 99 K can be set
Switching capacity	10W / VA max 30 V / DC max.
Switching current	1 A max.
Display for temperature monitoring	LED 3-digit (4-digit w/o unit of meas.)
Indication range	-20 °C to +120 °C (-4 ° to +248 °F)

Male connections	
Connection A	Connection B
Level contact(s): 1 = 12V-30V DC 2 = level L1 (+UB) 3 = not connected 4 = level L2 (+UB)	Temperature contacts: 1 = 12V-30V DC 2 = temperature 2 (+UB) 3 = GND (0V) 4 = temperature 1 (+UB)

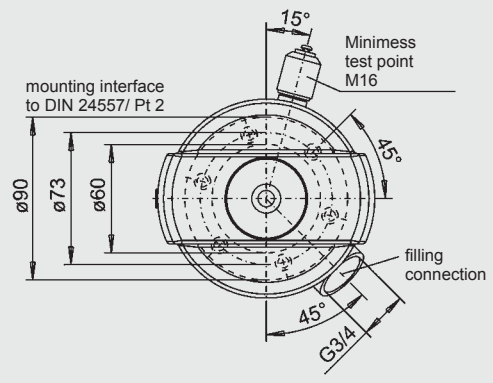
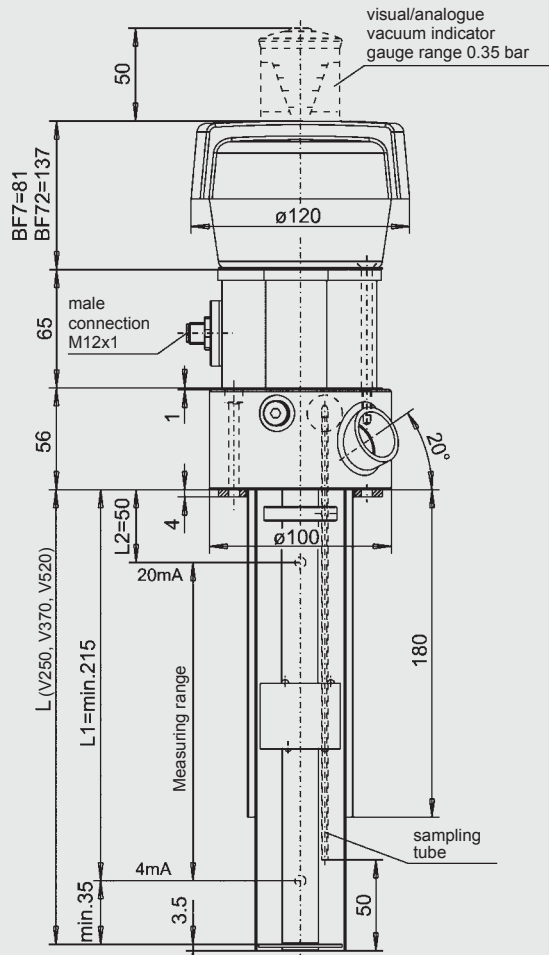


TC...W+D../-S12...

TC...UBM+D../-S12...

Factory normal setting for type S12: "pump protection monitoring"					
Switch points	Sensor tube length L		Contact function of fluid level contacts	Possible application	
L2	250	370	520	NC - rising N/C	Warning at "min. tank level"
L1	150	270	420	NO - rising N/O	Cut-out at "min. tank level"

Version TC...C 1.x /-S44-Vxxx-FA34 (FA34 with filling adapter)

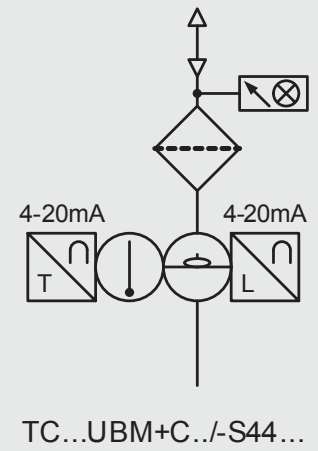
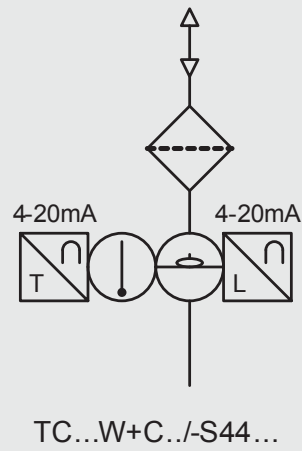
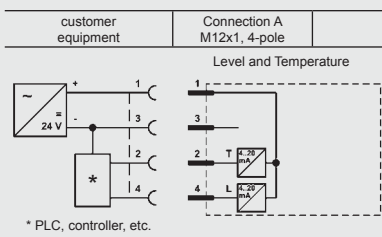


TECHNICAL SPECIFICATIONS

Fluid level monitoring	
Output signal	4 – 20 mA
Meas. range for V250	165 mm
Meas. range for V370	285 mm
Meas. range for V520	435 mm
Resolution	4 mm
Hysteresis	0 – 10%
Temperature monitoring	
Output signal	4 – 20 mA
Measuring range	0 – 100 °C
Hysteresis	0 – 1 K
Ohmic resistance	$R_B = U - 8 V$ 20 mA
Data transfer	Screened cable must be provided!

Male connections

Connection
 Fluid level/Temperature signals:
 1 = 12V-30V DC
 2 = temperature 4 – 20 mA
 3 = not connected
 4 = level 4 – 20 mA



NOTE

The information in this brochure relates to the operating conditions and applications described.
 For applications and operating conditions not described, please contact the relevant technical department.
 Subject to technical modifications.

HYDAC FILTERTECHNIK GMBH
 Industriegebiet
D-66280 Sulzbach/Saar, Germany
 Tel.: 0 68 97 / 509-01
 Fax: 0 68 97 / 509-300
 Internet: www.hydac.com
 E-mail: filter@hydac.com



Return Line Filter RFM with 2-Hole Mounting

Tank-top versions: up to 200 l/min, up to 10 bar



In-tank versions: up to 2,600 l/min, up to 10 bar



1. TECHNICAL SPECIFICATIONS

1.1 FILTER HOUSING

Construction

The filter housings are designed in accordance with international regulations. They consist of a filter head (with 2-hole flange), filter bowl and a screw-on cover plate.

Standard equipment:

- with bypass valve
- connection for a clogging indicator (Important: For RFM 75 to 185, please state mounting position for indicator!)

1.2 FILTER ELEMENTS

HYDAC filter elements are validated and their quality is constantly monitored according to the following standards:

- ISO 2941
- ISO 2942
- ISO 2943
- ISO 3724
- ISO 3968
- ISO 11170
- ISO 16889

Contamination retention capacities in g

RFM	Betamicon® (BN4HC)			
	3 µm	5 µm	10 µm	20 µm
75	10.3	11.4	13.5	15.5
90	12.2	13.5	16.2	18.3
150	20.4	22.6	27.2	30.8
165	18.7	20.7	24.9	28.2
185	25.6	28.4	34.1	38.6
210	50.7	56.2	67.6	76.5
270	78.4	86.9	104.5	118.2
330	38.4	42.6	51.2	57.9
500	58.9	65.3	78.6	88.9
660	87.1	96.5	116.1	131.3
850	112.1	124.2	149.5	169.1
950	130.0	144.1	173.3	196.1
1300	181.0	200.7	241.4	273.1
2600	369.4	409.4	492.5	557.2

Filter elements are available with the following pressure stability values:

Betamicon® (BN4HC):	20 bar
ECOMICRON® (ECON2):	10 bar
Stainl. steel wire mesh (W/HC):	20 bar
Paper (P/HC):	10 bar
Betamicon® / Aquamicron® (BN4AM):	10 bar
Aquamicron® (AM):	10 bar
Mobilemicron (MM):	10 bar

1.3 FILTER SPECIFICATIONS

Nominal pressure	10 bar
Temperature range	-30 °C to +100 °C (short-term: -40 °C)
Material of filter head	Aluminium: all RFM
Material of filter bowl	Polyamide: all RFM except 210, 270
Material of cover plate	Polyamide: all RFM
Type of clogging indicator	VMF Connection thread G 1/8 (return line indication)
Pressure setting of the clogging indicator	2 bar (others on request)
Bypass cracking pressure	3 bar (others on request)

1.4 SEALS

NBR (=Perbunan)

1.5 MOUNTING

As tank-top or in-tank filter

1.6 SPECIAL MODELS AND ACCESSORIES

- Extension tube on request
- Tank breather filter built into head on RFM 75 to 185
- Dipstick for RFM 75, 165, 185 (RFM 90 and 150 on request)
- 4-hole flange (see brochure "Return Line Filter RFM with 4-hole mounting")

1.7 SPARE PARTS

See Original Spare Parts List

1.8 CERTIFICATES AND APPROVALS

On request

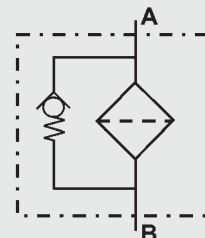
1.9 COMPATIBILITY WITH HYDRAULIC FLUIDS ISO 2943

- Hydraulic oils H to HLPD DIN 51524
- Lubrication oils DIN 51517, API, ACEA, DIN 51515, ISO 6743
- Compressor oils DIN 51506
- Biodegradable operating fluids VDMA 24568 HETG, HEES, HEPG
- Fire-resistant fluids HFA, HFB, HFC and HFD
- Operating fluids with high water content (>50% water content) on request

1.10 IMPORTANT INFORMATION

- Filter housings must be earthed.
- When using electrical clogging indicators, the electrical power supply to the system must be switched off before removing the clogging indicator connector.
- If an extension tube is to be fitted to the two-piece filter housing, the tube must be made of synthetic material or thin-wall aluminium
- Extensions must be protected by fitting a bulkhead plate or other means of protection so that no forces can be transmitted to the filter housing or the extension.
- The filter can normally only be used for tank-mounting
- The filter must be fitted absolutely vertically, or after consultation with the manufacturer, only within the tolerances specified
- The filter must not be used as a suction filter
- Components (e.g. coolers) must not be installed after the filter

Symbol for hydraulic systems



2. MODEL CODE (also order example)

RFM BN/HC 165 B C 10 D 1 . X /-L24

2.1. COMPLETE FILTER: TANK-TOP VERSION

Filter type _____

RFM

Filter material of element _____

BN/HC Betamicon® (BN4HC)
 ECO/N ECOmicron® (ECON2) - not for RFM SET-Version 2600
 P/HC Paper
 W/HC Stainless steel wire mesh
 MM Mobilemicron

Size of filter or element _____

RFM: 75, 90, 150, 165, 185

Operating pressure _____

B = 10 bar

Type and size of port _____

Type	Port	Filter size					KIT, SET, S versions see point 2.5
		75	90	150	165	185	
B	G ½	●	x	x	●	●	X on request
C	G ¾	●	●	●	●	●	
D	G 1	●	x	x	●	●	

Filtration rating in µm _____

BN/HC, ECO/N: 3, 5, 10, 20 W/HC: 25, 50, 100, 200
 P/HC: 10, 20 MM: 10, 15

Type of clogging indicator _____

Y plastic blanking plug in indicator port
 A steel blanking plug in indicator port
 B visual
 C electrical
 D visual and electrical

for other clogging indicators
 see brochure no. 7.050../..

Type code _____

0 without port, no clogging indicator
 1-3 see point 2.4 - note position of clogging indicator!

Modification number _____

X the latest version is always supplied

Supplementary details _____

A.-B.. setting pressure of indicator and cracking pressure of bypass in bar (e.g.: A5-B6)
 L... light with appropriate voltage (24, 48, 110, 220 Volt)] only for clogging indicators
 LED 2 light emitting diodes up to 24 Volt] type "D"
 PSxx dipstick for RFM 75, 165, 185 on request
 PZxx dipstick for RFM 90, 150 on request
 T with tank breather filter
 V FPM seals
 Vxxx with extension tube (where xxx is the final dimension of the extension)
 W suitable for HFA and HFC emulsions

2.2 REPLACEMENT ELEMENT

0165 R 010 BN4HC /-V

Size _____

0075, 0090, 0150, 0165, 0185, 0210, 0270, 0330, 0500, 0660, 0850, 0950, 1300, 2600

Type _____

R

Filtration rating in µm _____

BN4HC, ECON2: 003, 005, 010, 020 W/HC: 025, 050, 100, 200
 P/HC: 010 MM: 010, 015

Filter material _____

BN4HC, ECON2, P/HC, W/HC, MM

Supplementary details _____

V (for descriptions, see point 2.1)

2.3 REPLACEMENT CLOGGING INDICATOR

VMF 2 D . X /-L24

Type _____

VMF connection thread G 1/8

Pressure setting _____

2 standard 2 bar, others on request

Type of clogging indicator _____

see Point 2.1

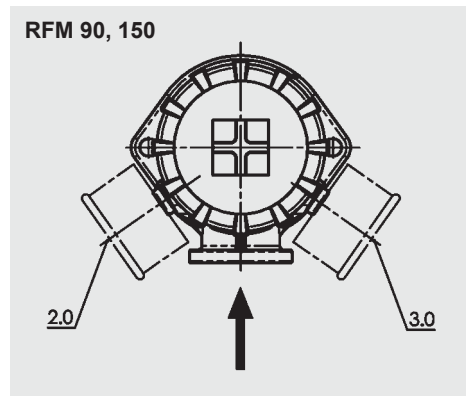
Modification number _____

X the latest version is always supplied

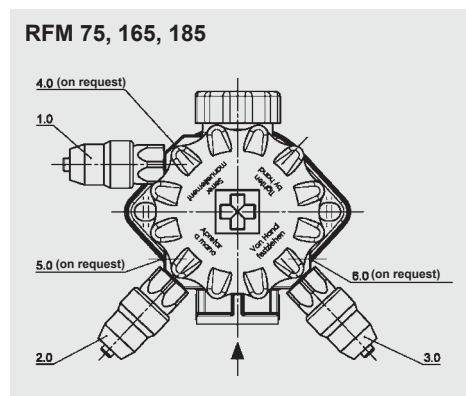
Supplementary details _____

L..., LED, V (for descriptions, see point 2.1)

2.4 TYPE CODE: MOUNTING POSITION OF THE CLOGGING INDICATOR



Type code	Mounting position of the clogging indicator	Type of indicator
2.X	Clogging indicator on left front, 45° to the inlet	VMF...
3.X	Clogging indicator on right front, 45° to the inlet	VMF...



Type code	Mounting position of the clogging indicator	Type of indicator
1.X	Clogging indicator on left back, 90° to the inlet	VMF...
2.X	Clogging indicator on left front, 45° to the inlet	VMF...
3.X	Clogging indicator on right front, 45° to the inlet	VMF...

NOTE
Other type codes on request.

2.5 MODEL CODE: IN-TANK MOUNTING FILTER

KIT VERSION



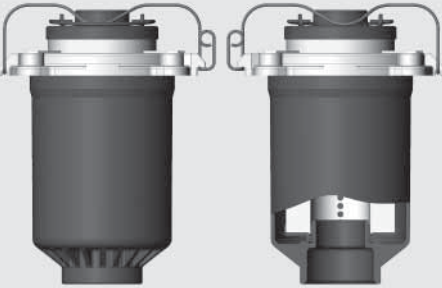
RFM BN/HC 165 KIT 10 W 1.0 /-V

Size _____
75, 90, 150, 165, 185, 210, 270, 330, 500, 661, 851

In-tank mounting version _____
KIT bowl only with element and seal

Supplementary details _____
B. bypass cracking pressure (e.g. B6 = 6 bar)
DFxxx spring (where xxx is the relevant length) - on request
G threaded connection in outlet (RFM 330 to 851)
V FPM seal
Vxxx extension tube (where xxx is the final dimension of the extension)

SET VERSION, screw-on Sizes 330 and 500



RFM BN/HC 330 SET 10 W 1.0 /-V

Size _____
330, 500

In-tank mounting version _____
SET bowl only with element and seal, plus adapter ring

Supplementary details _____
B. bypass cracking pressure (e.g. B6 = 6 bar)
G threaded connection in outlet
V FPM seal
Vxxx extension tube (where xxx is the final dimension of the extension)

SET VERSION, screw-on Sizes 950 to 2600



RFM ECO/N 950 SET 10 W 1.0 /-SO441

Filter material of element (only for this version) _____
ECO/N ECOmicron (ECON2)
BN/HC Betamicron (BN4HC)

Size _____
950, 1300, 2600

In-tank mounting version _____
SET element only with integral contamination retainer, element location spigot and spring

Supplementary details _____
SO441 this code must be specified!
(also required for replacement element)
V FPM seal

S VERSION, weld-in version



RFM BN/HC 165 S 10 W 1.0 /-V

Size _____
75, 165, 185

In-tank mounting version _____
S bowl only with element, spring and seal, plus weld-in housing

Supplementary details _____
B. bypass cracking pressure (e.g. B6 = 6 bar)
V FPM seal
Vxxx extension tube (where xxx is the final dimension of the extension)

Note:

- Other supplementary details on request (or point 2.1)
- For replacement elements for in-tank filters, see point 2.2

3. FILTER CALCULATION / SIZING

The total pressure drop of a filter at a certain flow rate Q is the sum of the housing Δp and the element Δp and is calculated as follows:

$$\Delta p_{\text{total}} = \Delta p_{\text{housing}} + \Delta p_{\text{element}}$$

$\Delta p_{\text{housing}}$ = given in diagrams
(see point 3.1)

$$\Delta p_{\text{element}} = Q \cdot \frac{SK^*}{1000} \cdot \frac{\text{viscosity}}{30}$$

(*see point 3.2)

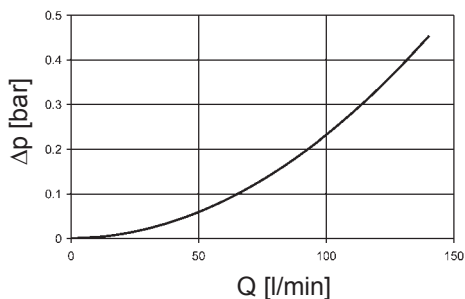
For ease of calculation, our Filter Sizing Program is available on request free of charge.

NEW: Sizing online at www.hydac.com

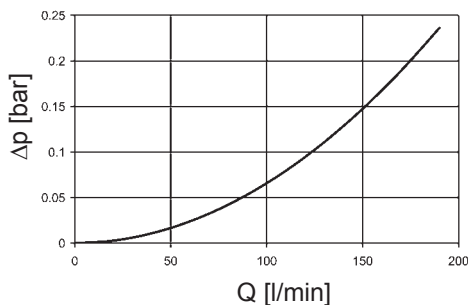
3.1 Δp -Q HOUSING CURVES BASED ON ISO 3968

The housing curves apply to mineral oil with a density of 0.86 kg/dm³ and a kinematic viscosity of 30mm²/s. In this case, the differential pressure changes proportionally to the density.

RFM 90, 150



RFM 75, 165, 185

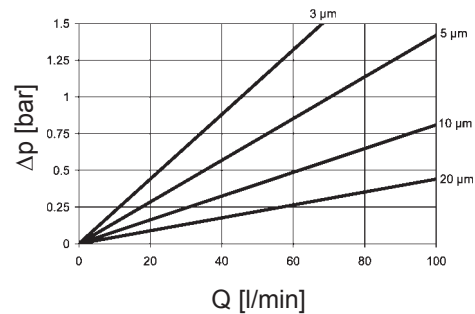


3.2 GRADIENT COEFFICIENTS (SK) FOR FILTER ELEMENTS

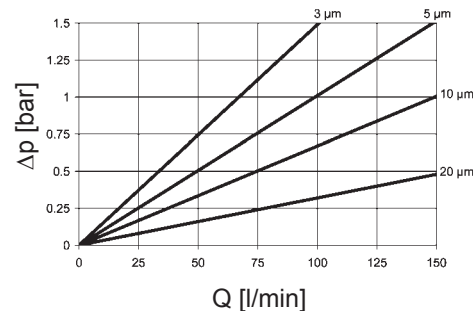
The gradient coefficients in mbar/(l/min) apply to mineral oils with a kinematic viscosity of 30 mm²/s. The pressure drop changes proportionally to the change in viscosity.

RFM	ECON2				W/HC
	3 μm	5 μm	10 μm	20 μm	
75	-	-	8.1	4.4	0.702
90	-	-	6.7	3.2	-
150	8.9	6.0	4.0	1.9	-
165	11.2	7.8	4.5	2.4	0.324
185	8.9	6.1	3.3	1.8	-
210	-	-	-	-	-
270	-	-	-	-	-
330	4.2	2.7	1.7	1.2	0.162
500	3.0	1.9	1.3	0.8	0.108
600	-	-	-	-	-
660	1.9	1.2	0.8	0.5	0.081
850	1.5	1.0	0.7	0.4	0.063
950	1.2	0.8	0.5	0.4	0.054
1300	0.8	0.6	0.4	0.3	0.045
2600	0.4	0.3	0.2	0.1	0.018

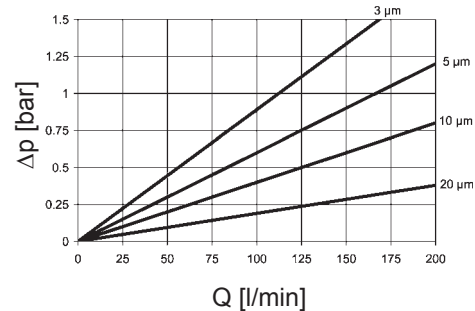
BN4HC: RFM 75



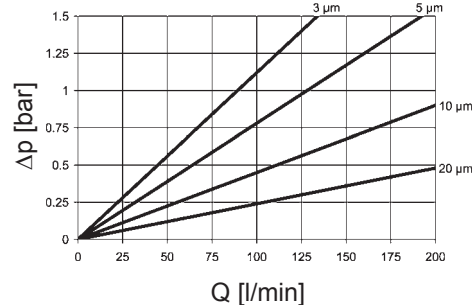
BN4HC: RFM 90



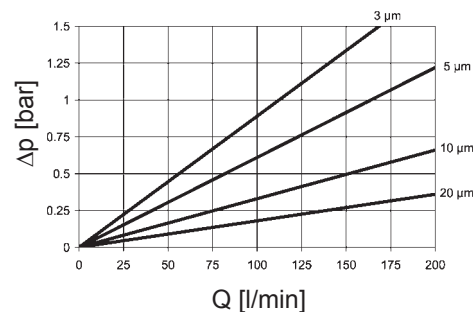
BN4HC: RFM 150



BN4HC: RFM 165

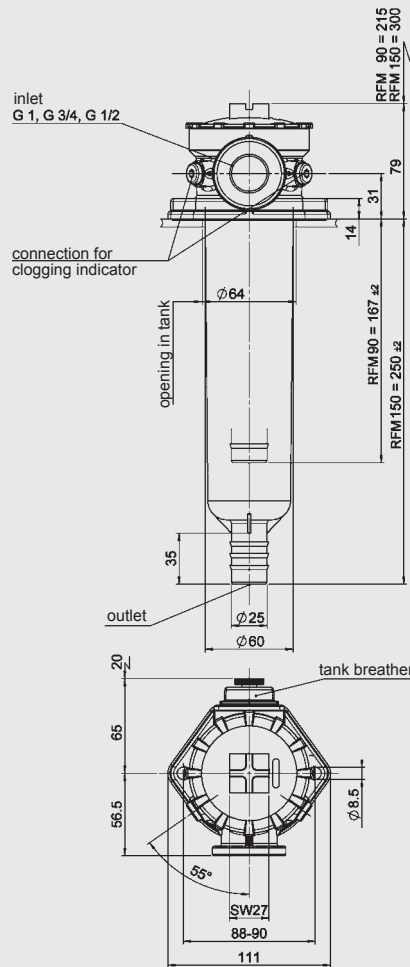


BN4HC: RFM 185

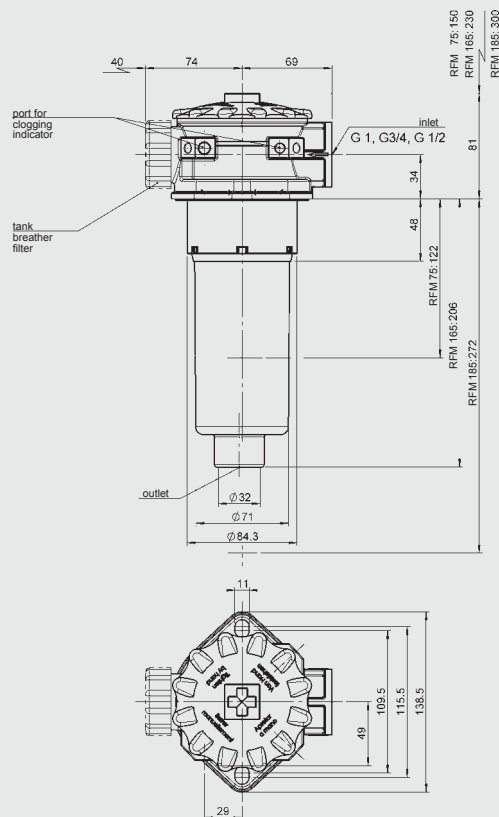


4. DIMENSIONS

RFM 90, 150



RFM 75, 165, 185



RFM	Weight incl. element [kg]	Vol. of pressure chamber [l]
75	0.90	0.60
90	0.54	0.60
150	0.75	0.80
165	1.10	0.90
185	1.14	1.10

NOTE

The information in this brochure relates to the operating conditions and applications described.
For applications and operating conditions not described, please contact the relevant technical department.
Subject to technical modifications.

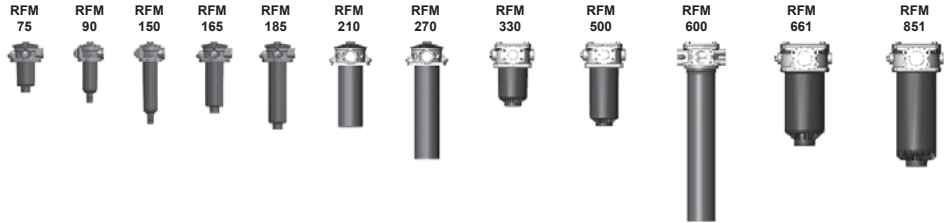
HYDAC FILTERTECHNIK GMBH

Industriegebiet
D-66280 Sulzbach/Saar
Tel.: 0 68 97 / 509-01
Fax: 0 68 97 / 509-300
Internet: www.hydac.com
E-Mail: filter@hydac.com



Return Line Filter RFM with 4-Hole Mounting

Tank-top mounted versions:
up to 850 l/min, up to 10 bar



1. TECHNICAL SPECIFICATIONS

1.1 FILTER HOUSING

Construction

The filter housings are designed in accordance with international regulations. They consist of a filter head (with 4-hole flange), filter bowl and a screw-on cover plate.

Standard equipment:

- with bypass valve
- connection for a clogging indicator (Important: please state mounting position for indicator!)

1.2 FILTER ELEMENTS

HYDAC filter elements are validated and their quality is constantly monitored according to the following standards:

- ISO 2941
- ISO 2942
- ISO 2943
- ISO 3724
- ISO 3968
- ISO 11170
- ISO 16889

Contamination retention capacities in g

RFM	Betamicon® (BN4HC)			
	3 µm	5 µm	10 µm	20 µm
75	10.3	11.4	13.5	15.5
90	12.2	13.5	16.2	18.3
150	20.4	22.6	27.2	30.8
165	18.7	20.7	24.9	28.2
185	25.6	28.4	34.1	38.6
210	50.7	56.2	67.6	76.5
270	78.4	86.9	104.5	118.2
330	38.4	42.6	51.2	57.9
500	58.9	65.3	78.6	88.9
600	145.5	161.3	194.0	219.4
660	87.1	96.5	116.1	131.3
850	112.1	124.2	149.5	169.1
950	130.0	144.1	173.3	196.1
1300	181.0	200.7	241.4	273.1
2600	369.4	409.4	492.5	557.2

Filter elements are available with the following pressure stability values:

Betamicon® (BN4HC):	20 bar
ECOMicon® (ECON2):	10 bar
Stainl. steel wire mesh (W/HC):	20 bar
Paper (P/HC):	10 bar
Betamicon® / Aquamicon® (BN4AM):	10 bar
Aquamicon® (AM):	10 bar
Mobilemicon (MM):	10 bar

1.3 FILTER SPECIFICATIONS

Nominal pressure	10 bar
Temperature range	-30 °C to +100 °C (short-term: -40 °C)
Material of filter head	Aluminium: all RFM
Material of filter bowl	Polyamide: all RFM except 210, 270, 600 Steel: RFM 210, 270, 600
Material of cover plate	Polyamide: RFM 75 to 270 Aluminium: RFM 330 to 851
Type of clogging indicator	VR Connection thread G 1/2 VMF Connection thread G 1/8 (return line indication)
Pressure setting of the clogging indicator	2 bar (others on request)
Bypass cracking pressure	3 bar (others on request)

1.4 SEALS

NBR (= Perbunan)

1.5 INSTALLATION

As tank-top filter

1.6 SPECIAL MODELS AND ACCESSORIES

- Connections for filling the hydraulic system via return line element (RFM 330 and above)
- Extension tube on request
- Tank breather filter built into head on RFM 75 to 270
- Dipstick for RFM 75, 165, 185 (RFM 90 and 150 on request)
- 2-hole flange (see brochure "Return Line Filter RFM with 2-hole mounting")
- Multiport head on RFM 75, 165, 185
- Single port version for RFM 75, 165 and 185 on request

1.7 SPARE PARTS

See Original Spare Parts List

1.8 CERTIFICATES AND APPROVALS

On request

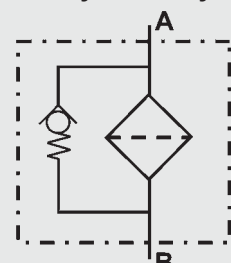
1.9 COMPATIBILITY WITH HYDRAULIC FLUIDS ISO 2943

- Hydraulic oils H to HLPD DIN 51524
- Lubrication oils DIN 51517, API, ACEA, DIN 51515, ISO 6743
- Compressor oils DIN 51506
- Biodegradable operating fluids VDMA 24568 HETG, HEES, HEPG
- Fire-resistant operating fluids HFA, HFB, HFC and HFD
- Operating fluids with high water content (>50% water content) on request

1.10 IMPORTANT INFORMATION

- Filter housings must be earthed.
- When using electrical clogging indicators, the electrical power supply to the system must be switched off before removing the clogging indicator connector.
- If an extension tube is to be fitted to the two-piece filter housing, the tube must be made of synthetic material or thin-wall aluminium.
- Extensions must be protected by fitting a bulkhead plate or other means of protection so that no forces can be transmitted to the filter housing or the extension.
- The filter can normally only be used for tank-mounting
- The filter must be fitted absolutely vertically, or after consultation with the manufacturer, only within the tolerances specified
- The filter must not be used as a suction filter
- Components (e.g. coolers) must not be installed after the filter

Symbol for hydraulic systems



2. MODEL CODE (also order example)

RFM BN/HC 500 B F F 10 D 1 X /-L24

2.1. COMPLETE FILTER: TANK-TOP VERSION

Filter type _____

RFM

Filter material of element _____

BN/HC Betamicon® (BN4HC) ECO/N ECOMicon® (ECON2) - not RFM 210, 270
 P/HC Paper BN/AM Betamicon®/Aquamicron® - only RFM 330 to 851
 W/HC Stainl. steel wire mesh AM Aquamicron® - only RFM 330 to 851
 MM Mobilemicron * RFM 600 only available with material BN4HC!

Size of filter or element _____

RFM: 75, 90, 150, 165, 185, 210, 270, 330, 500, 600, 661, 851

Operating pressure _____

B = 10 bar

Additional inlet _____

Type	Port	Filter size								not possible on RFM 90 and 150
		75	165	185	330	500	600	661	851	
D	G 1	●	●	●						
F	G 1 ½				●	●				
K	SAE DN 40				●	●				
M	SAE DN 65							●	●	
Z	To customer specification						●			

Type and size of port (1 inlet) _____

Type	Port thread	Filter size												X on request	
		75	90	150	165	185	210	270	330	500	600	661	851		
B	G ½	●	X	X	●	●									
C	G ¾	●	●	●	●	●									
D	G 1	●	X	X	●	●	●	●							
E	G 1 ¼						●	●				●			
F	G 1 ½						●	●	●	●	●	●			
K	SAE DN 40								●	●	●	●			
L	SAE DN 50										●				
M	SAE DN 65											●	●		

Filtration rating in µm _____

BN/HC, ECO/N: 3, 5, 10, 20 BN/AM: 3, 10 (only RFM 330 to 851) W/HC: 25, 50, 100, 200
 P/HC: 10, 20 AM: 40 (only RFM 330 to 851) MM: 10, 15

Type of clogging indicator _____

Y plastic blanking plug in indicator port
 A steel blanking plug in indicator port
 B/BM visual
 C electrical
 D visual and electrical
 for other clogging indicators see brochure no. 7.050../..

Type code _____

0 without port, no clogging indicator
 1-3 see point 2.5 - note position of clogging indicator!

Modification number _____

X the latest version is always supplied

Supplementary details _____

4L 4-hole flange for mounting (must be specified for RFM 75 to 185)
 A..B..setting pressure of indicator and cracking pressure of bypass in bar (e.g.: A5-B6)
 BA filling connection G ½ (RFM 330 to 851)
 G with threaded port at outlet (RFM 330 and above)
 L... light with appropriate voltage (24, 48, 110, 220 Volt)
 LED 2 light emitting diodes up to 24 Volt] only for clogging indicators type "D"
 PSxx dipstick RFM 75, 165, 185 on request
 PZxx dipstick RFM 90, 150 on request
 T with tank breather filter (only for RFM 75 to 270)
 V FPM seals
 Vxxx with extension tube (where xxx is the final dimension of the extension)
 W suitable for HFA and HFC emulsions
 xxxxx RFM 600 only (see point 2.4)

2.2 REPLACEMENT ELEMENT

0500 R 010 BN4HC /-V

Size _____

0075, 0090, 0150, 0165, 0185, 0210, 0270, 0330, 0500, 0600, 0660, 0850

Type _____

R

Filtration rating in µm _____

BN4HC, ECON2: 003, 005, 010, 020 W/HC: 025, 050, 100, 200 AM: 040
 P/HC: 010 BN4AM: 003, 010 MM: 010, 015

Filter material _____

BN4HC, ECON2, P/HC, W/HC, BN4AM, AM, MM

Supplementary details _____

V (for descriptions, see point 2.1)

2.3 REPLACEMENT CLOGGING INDICATOR

VR 2 D . X /-L24

Type _____
 VR connection thread G 1/2
 VMF connection thread G 1/8 } return line indicator

Pressure setting _____
 2 standard 2 bar, others on request

Type of clogging indicator _____
 see Point 2.1

Modification number _____
 X the latest version is always supplied

Supplementary details _____
 L..., LED, V (for descriptions, see point 2.1)

2.4 PORT CONFIGURATION RFM 600

Since there are numerous options for machining the ports on the head of the RFM 600, the code BZx is selected here as standard. In order to determine the position and size of the ports, a 5-letter code is added as a supplementary detail. This is determined using the table below. Unused ports are indicated by a "0".

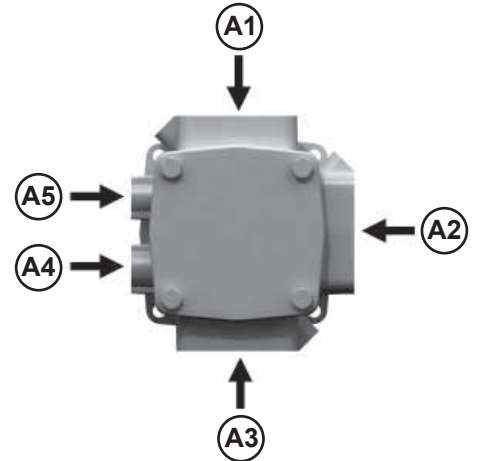
for RFM 600...BZK

Port	A1	A2	A3	A4	A5
G 3/4					C
G 1				D	
G 1 1/4	E	E	E		
SAE DN 40	K	K	K		
plugged	0	0	0	0	0

for RFM 600...BZL

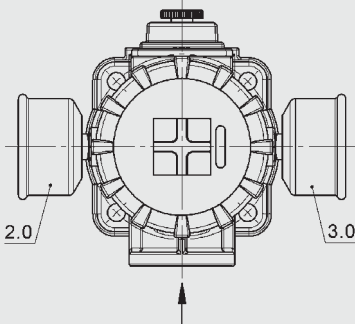
Port	A1	A2	A3	A4	A5
G 3/4					C
G 1				D	
G 1 1/2	F	F	F		
SAE DN 50	L	L	L		
plugged	0	0	0	0	0

Example:
 RFM BN/HC 600 BZL 10 A 1.0 /-0FL0C

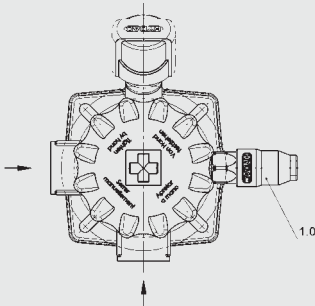


2.5 TYPE CODE: MOUNTING POSITION OF THE CLOGGING INDICATOR

RFM 90, 150 .../-4L



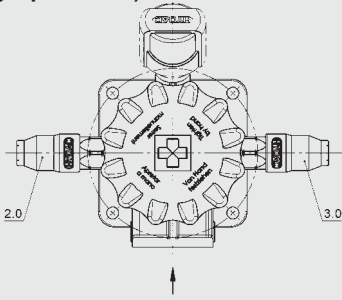
RFM 75, 165, 185 .../-4L
 (Multiport head)



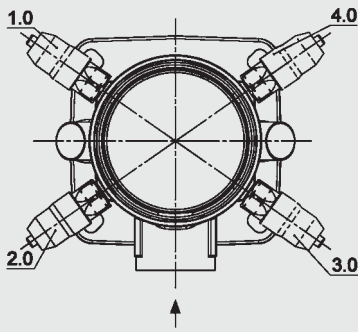
Type code	Mounting position of the clogging indicator	Type of indicator
2.X	Clogging indicator on left, 90° to the inlet	VMF...
3.X	Clogging indicator on right, 90° to the inlet	VMF...

Type code	Mounting position of the clogging indicator	Type of indicator
1.X	see drawing	VMF...

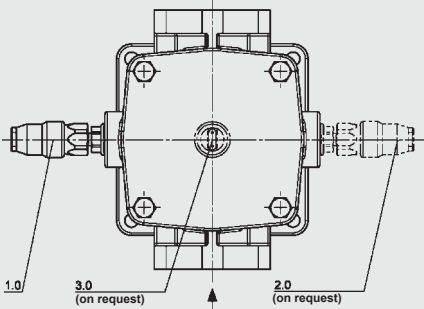
**On request:
RFM 75, 165, 185 .../4L
(Single port head)**



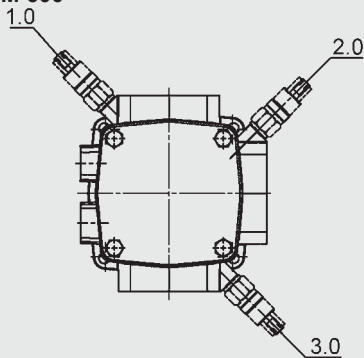
RFM 210, 270



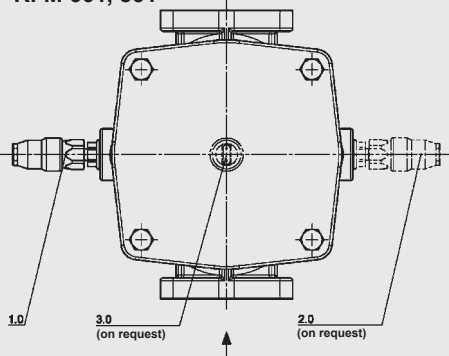
RFM 330, 500



RFM 600



RFM 661, 851



Type code	Mounting position of the clogging indicator	Type of indicator
2.X	Clogging indicator on left, 90° to the inlet	VMF...
3.X	Clogging indicator on right, 90° to the inlet	VMF...

Type code	Mounting position of the clogging indicator	Type of indicator
1.X	Clogging indicator on left back, 135° to the inlet	VMF...
2.X	Clogging indicator on left front, 45° to the inlet	VMF...
3.X	Clogging indicator on right front, 45° to the inlet	VMF...
4.X	Clogging indicator on right back, 135° to the inlet	VMF...

Type code	Mounting position of the clogging indicator	Type of indicator
1.X	Clogging indicator on left, 90° to the inlet	VR...

Type code	Mounting position of the clogging indicator	Type of indicator
1.X	see drawing	VMF...
2.X	see drawing	VMF...
3.X	see drawing	VMF...

Type code	Mounting position of the clogging indicator	Type of indicator
1.X	Clogging indicator on left, 90° to the inlet	VR...

NOTE
Other type codes on request.

2.6 RETURN LINE FILTERS RFM ALL-PLASTIC



The RFM All-Plastic filter provides a cost-effective alternative to the standard RFM product range.

This filter is an all-plastic version with a simple hose connection as the return line port.

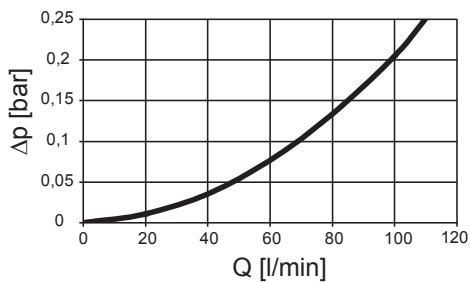
The well-known HYDAC element technology is of course available for these filter types

Nominal pressure: 7 bar
Flow rate up to 100 l/min
Temperature range: -30 °C to +100 °C

Δp-Q HOUSING CURVES BASED ON ISO 3968

The housing curves apply to mineral oil with a density of 0.86 kg/dm³ and a kinematic viscosity of 30mm²/s.

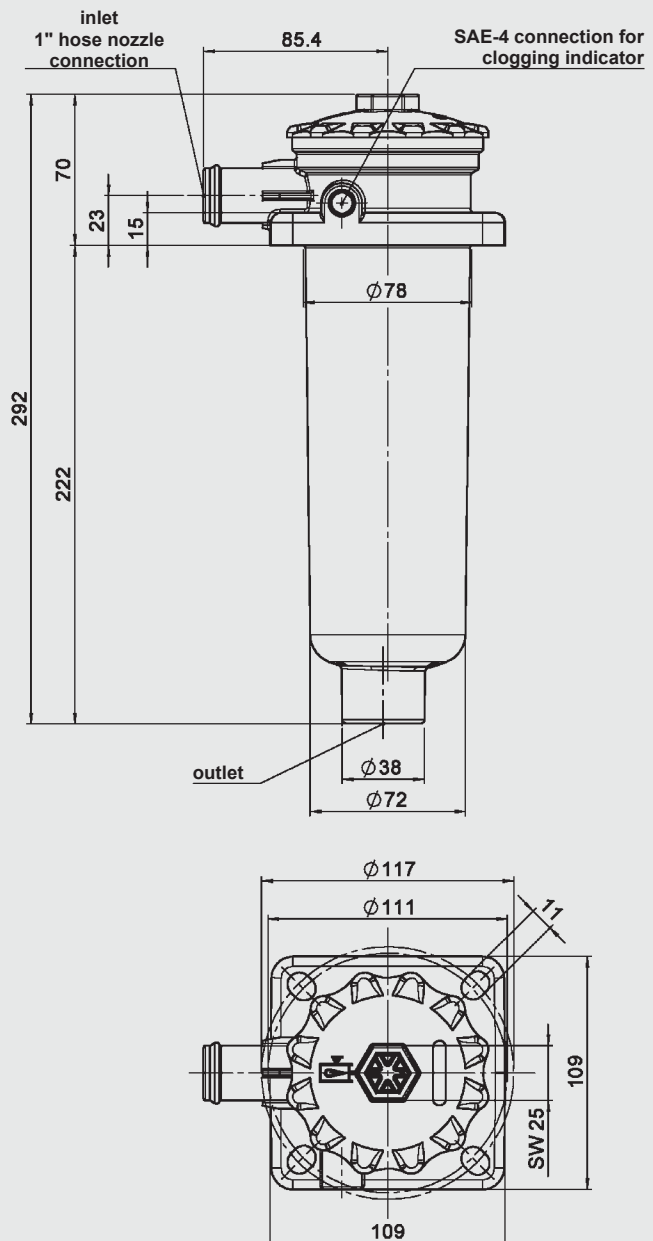
In this case, the differential pressure changes proportionally to the density.



Model Code

	RFMP	BN/HC	165	Y	HB	10	A	1	.X	/-4L-B6
Type	RFMP									
Filter material	BN/HC Betamicon ECO/N ECOmicron MM Mobilemicron									
Size	165									
Operating pressure	Y 7 bar									
Type of connection	HB Hose connection (hose barb)									
Filtration rating	BN/HC, ECO/N 3, 5, 10, 20 MM 8, 10, 15									
Type of clogging indicator (VA)	A steel blanking plug in indicator port									
Type code	1									
Modification number	X The latest version is always supplied									
Supplementary details	4L 4-hole flange for mounting = must be specified! B6 Bypass 6 bar									

Dimensions



3. FILTER CALCULATION / SIZING

The total pressure drop of a filter at a certain flow rate Q is the sum of the housing Δp and the element Δp and is calculated as follows:

$$\Delta p_{\text{total}} = \Delta p_{\text{housing}} + \Delta p_{\text{element}}$$

$$\Delta p_{\text{housing}} = (\text{see Point 3.1})$$

$$\Delta p_{\text{element}} = Q \cdot \frac{SK^*}{1000} \cdot \frac{\text{viscosity}}{30}$$

(*see point 3.2)

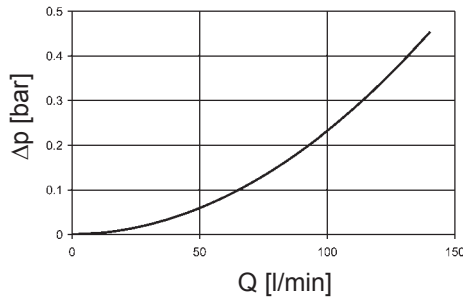
For ease of calculation, our Filter Sizing Program is available on request free of charge.

NEW: Sizing online at www.hydac.com

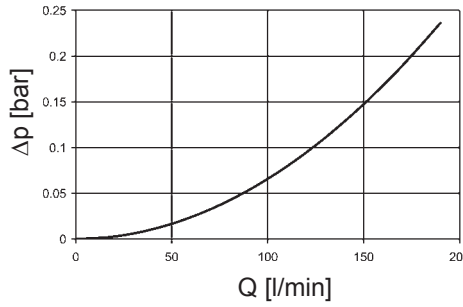
3.1 Δp -Q HOUSING CURVES BASED ON ISO 3968

The housing curves apply to mineral oil with a density of 0.86 kg/dm³ and a kinematic viscosity of 30mm²/s. In this case, the differential pressure changes proportionally to the density.

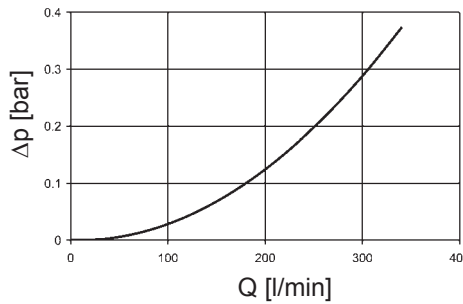
RFM 90, 150



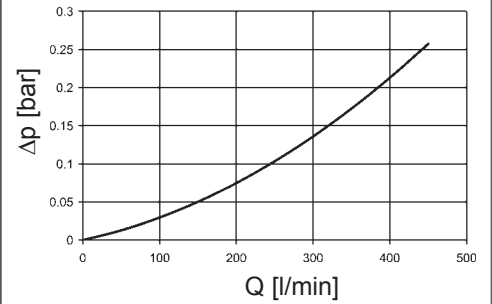
RFM 75, 165, 185



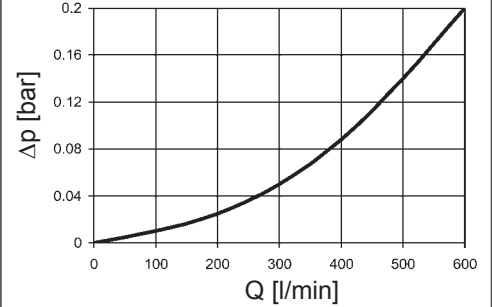
RFM 210, 270



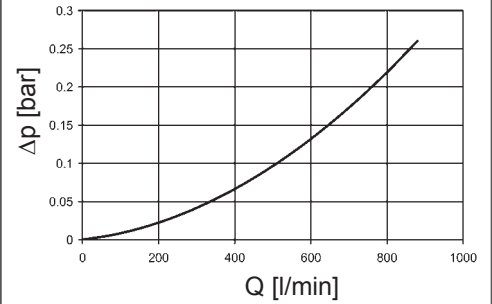
RFM 330, 500



RFM 600



RFM 661, 851

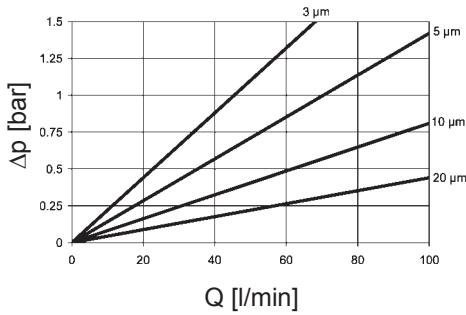


3.2 GRADIENT COEFFICIENTS (SK) FOR FILTER ELEMENTS

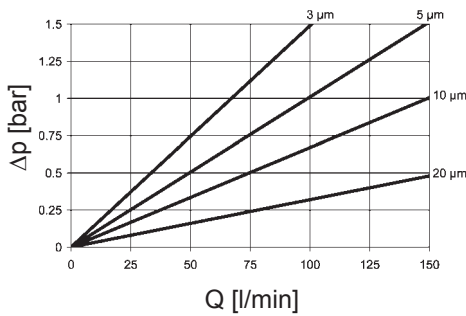
The gradient coefficients in mbar/(l/min) apply to mineral oils with a kinematic viscosity of 30 mm²/s. The pressure drop changes proportionally to the change in viscosity.

RFM	ECON2				W/HC
	3 μm	5 μm	10 μm	20 μm	
75	-	-	8.1	4.4	0.702
90	-	-	6.7	3.2	-
150	8.9	6.0	4.0	1.9	-
165	11.2	7.8	4.5	2.4	0.324
185	8.9	6.1	3.3	1.8	-
210	-	-	-	-	-
270	-	-	-	-	-
330	4.2	2.7	1.7	1.2	0.162
500	3.0	1.9	1.3	0.8	0.108
600	-	-	-	-	-
660	1.9	1.2	0.8	0.5	0.081
850	1.5	1.0	0.7	0.4	0.063

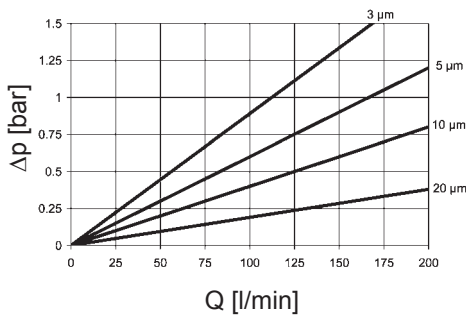
BN4HC: RFM 75



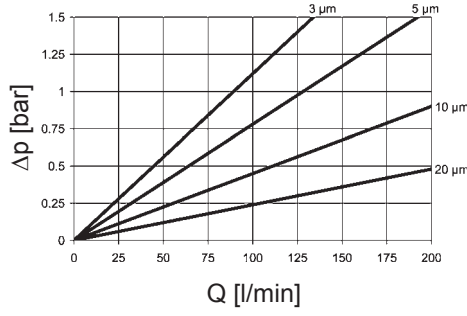
BN4HC: RFM 90



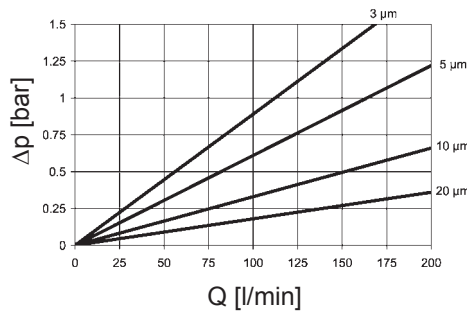
BN4HC: RFM 150



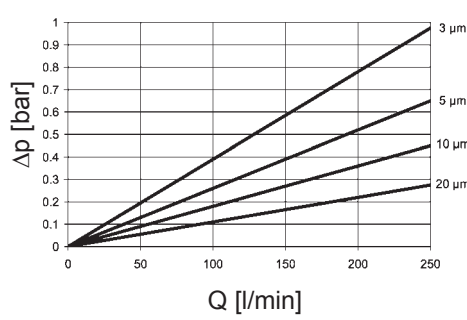
BN4HC: RFM 165



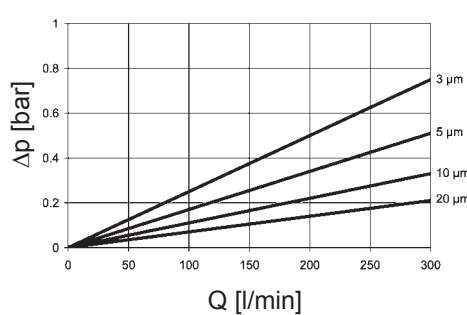
BN4HC: RFM 185



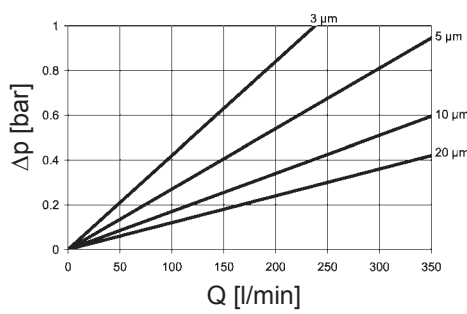
BN4HC: RFM 210



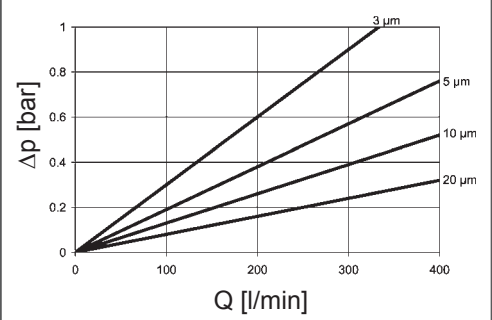
BN4HC: RFM 270



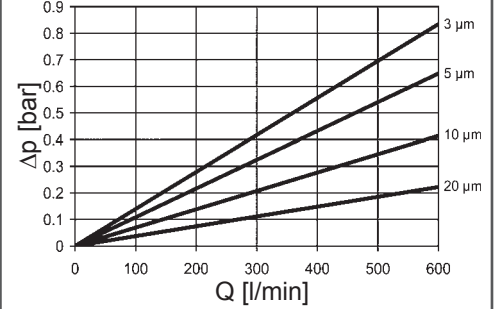
BN4HC: RFM 330



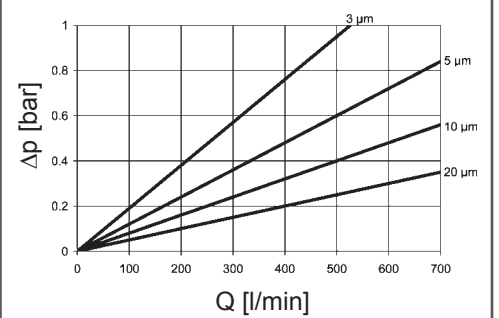
BN4HC: RFM 500



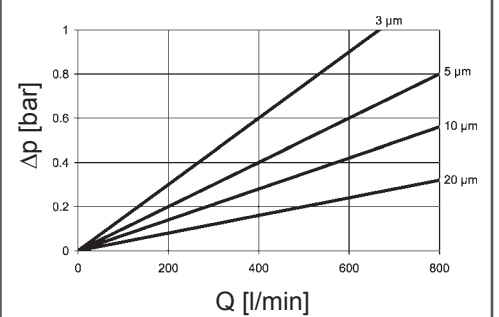
BN4HC: RFM 600



BN4HC: RFM 660

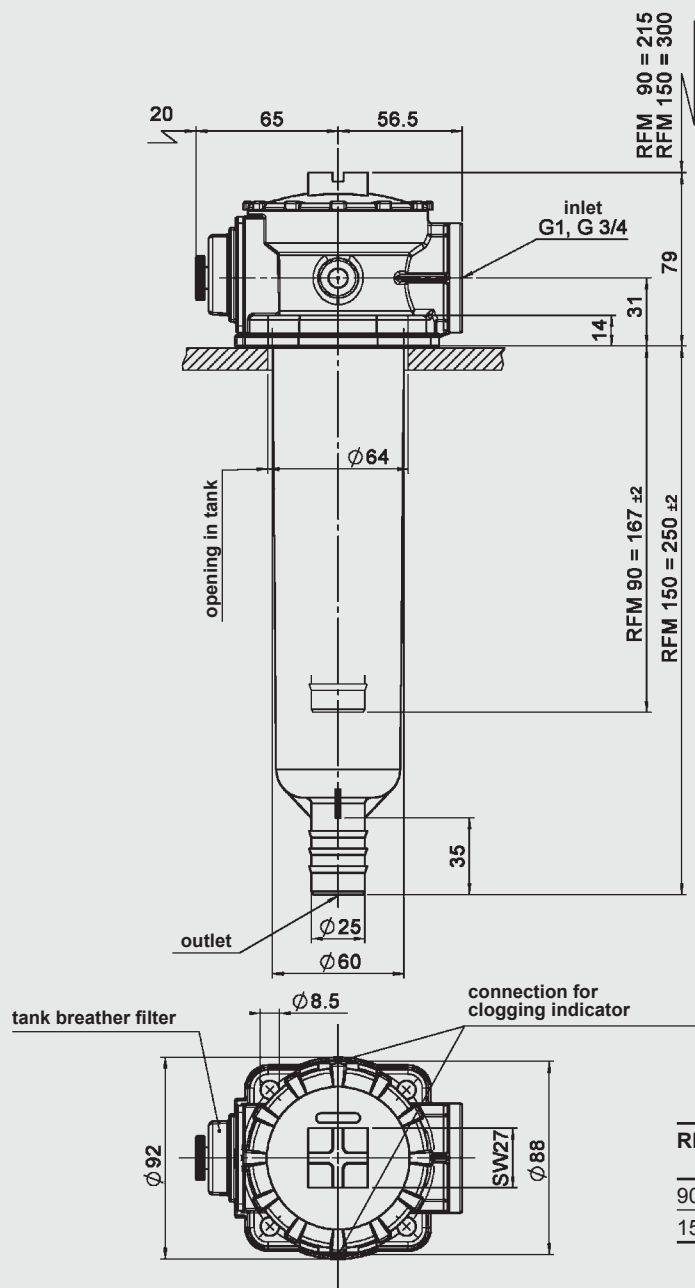


BN4HC: RFM 850

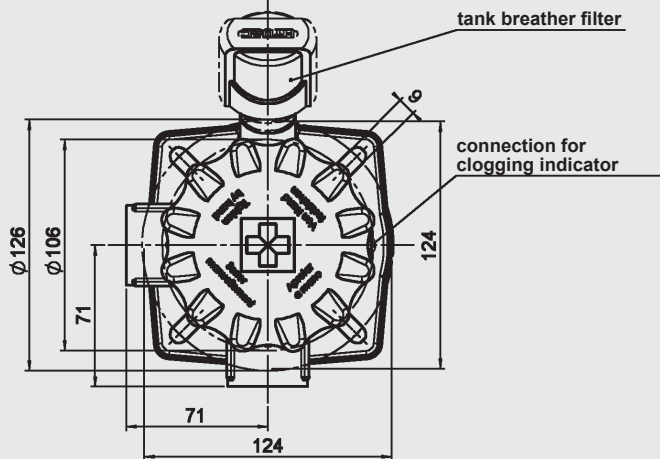
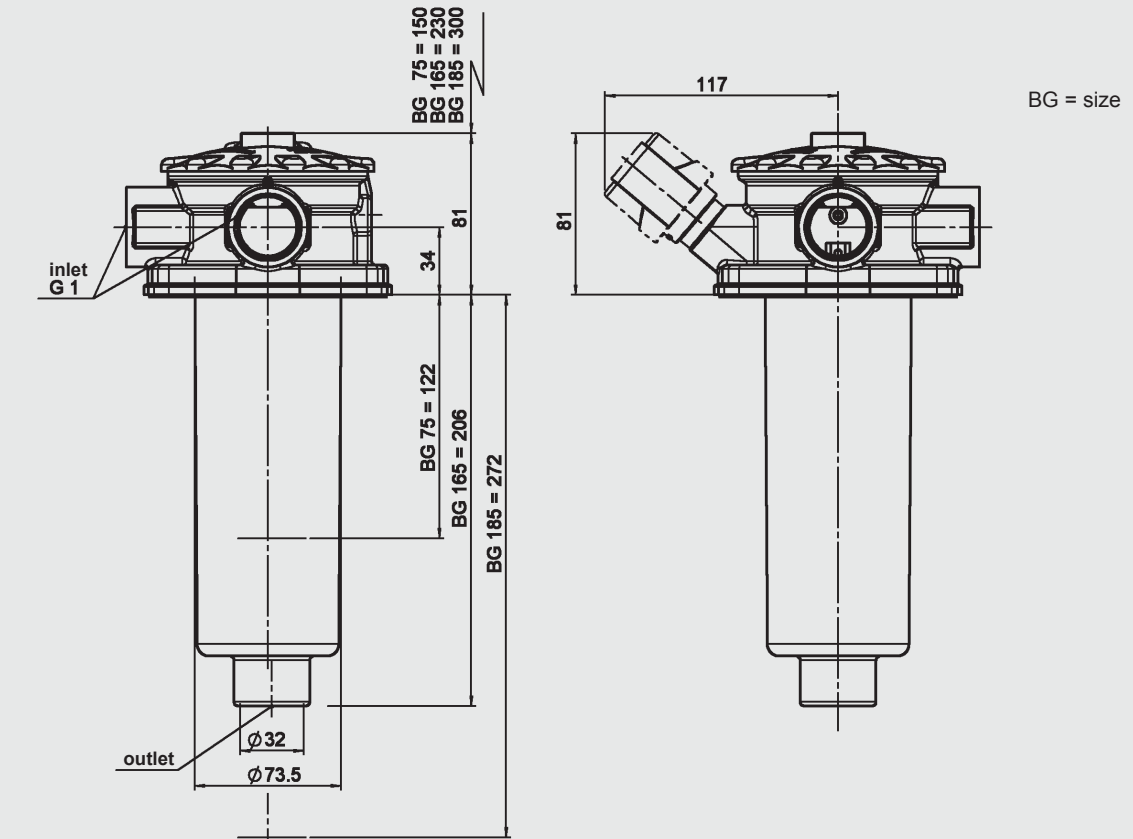


4. DIMENSIONS

RFM 90, 150 .../-4L

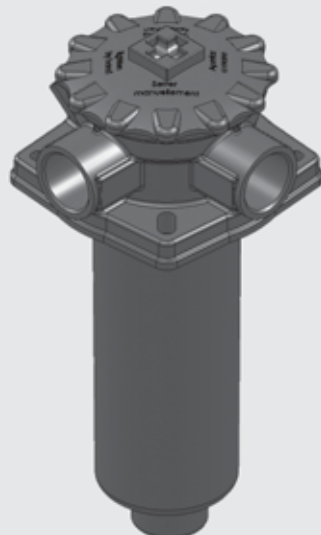


RFM 75, 165, 185 .../-4L (MULTI-PORT HEAD)

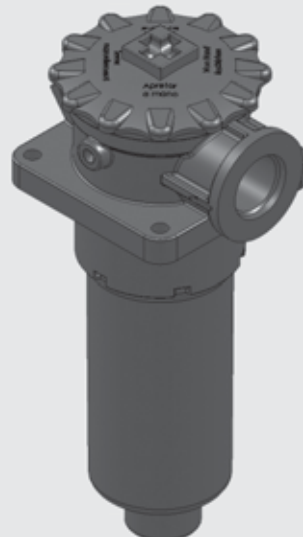


RFM	Weight incl. element [kg]	Vol. of pressure chamber [l]
75	0.90	0.60
165	1.10	0.90
185	1.14	1.10

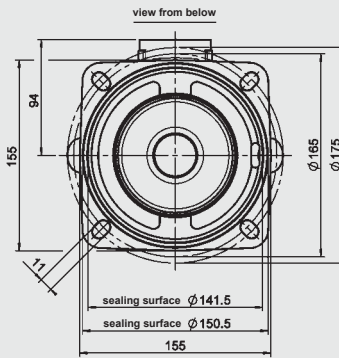
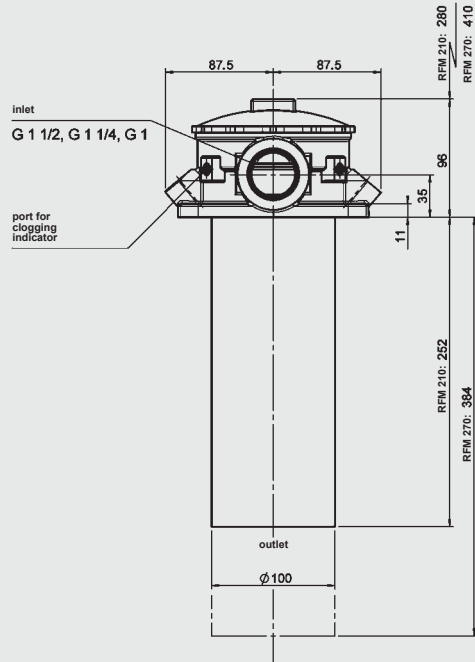
MULTI-PORT HEAD



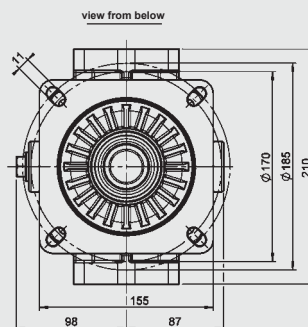
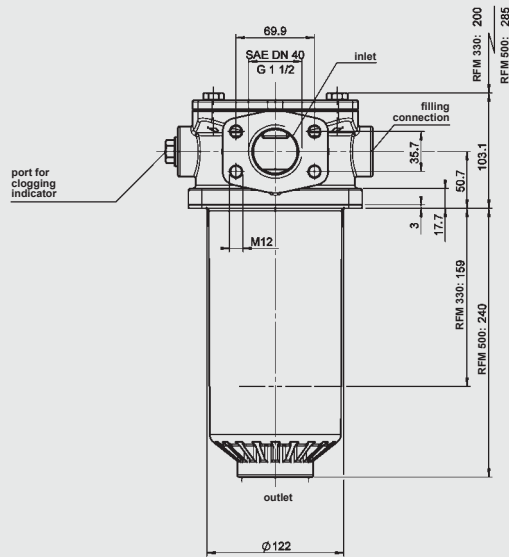
ON REQUEST:
SINGLE PORT HEAD



RFM 210, 270

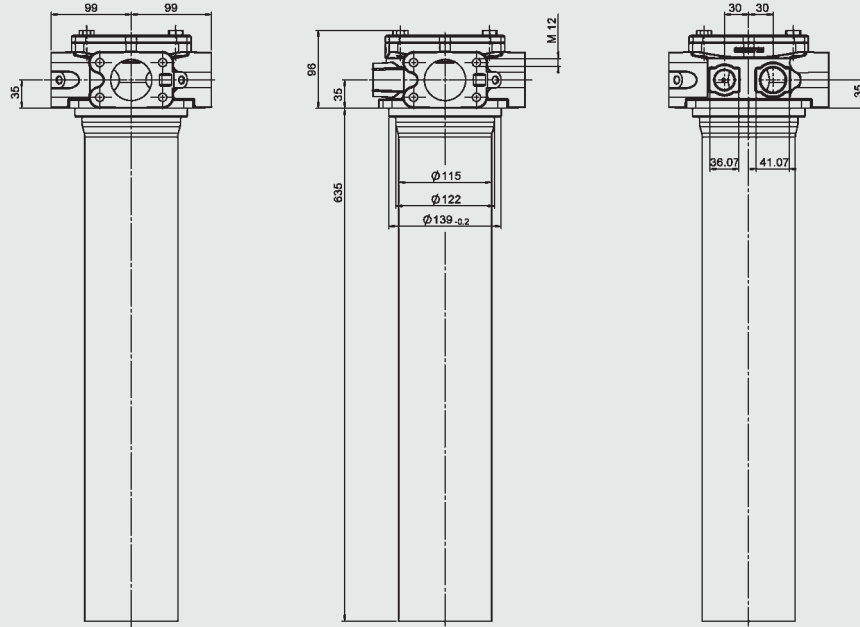


RFM 330, 500

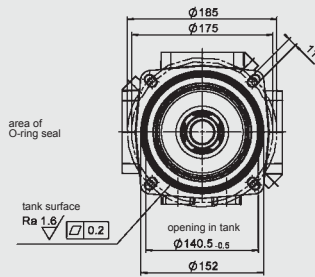


RFM	Weight incl. element [kg]	Vol. of pressure chamber [l]
210	3.10	2.20
270	4.30	3.60
330	3.90	2.00
500	4.50	3.00

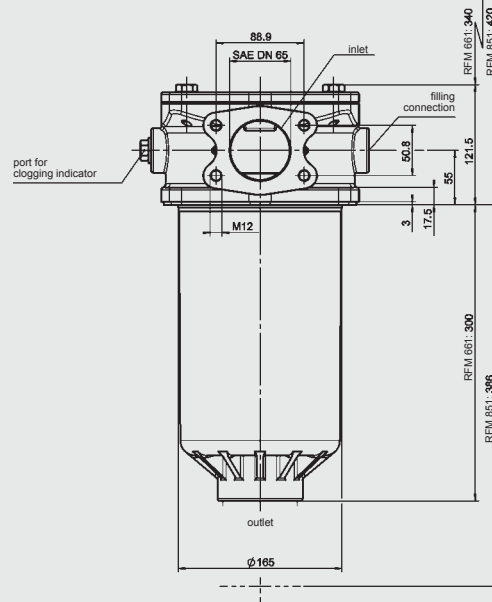
RFM 600



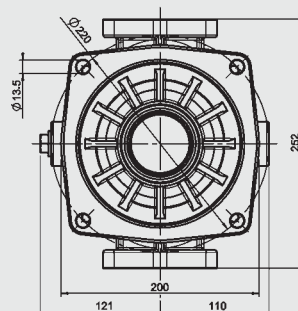
view from below



RFM 661, 851



view from below

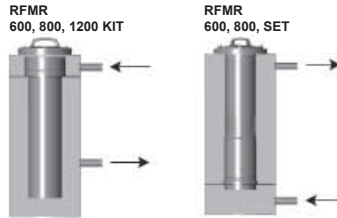


RFM	Weight incl. element [kg]	Vol. of pressure chamber [l]
600	7.30	7.70
661	9.00	7.20
851	10.50	8.50



Return Line Filter RFMR

Element flow direction from in to out
In-tank versions:
up to 1,200 l/min, up to 10 bar



1. TECHNICAL SPECIFICATIONS

1.1 FILTER HOUSING

Construction

The filter housings are designed in accordance with international regulations. There are two types of RFMR. The RFMR-KIT series consists of a housing tube and cover plate. The RFMR-SET series consists of a filter cover plate and element location spigot. The element is top-removable in both cases.

Standard equipment:

- with bypass valve
- magnetic core built into cover plate

1.2 FILTER ELEMENTS

HYDAC filter elements are validated and their quality is constantly monitored according to the following standards:

- ISO 2941, ISO 2942, ISO 2943, ISO 3724, ISO 3968, ISO 11170, ISO 16889

Contamination retention capacities in g

	Glass fibre (ULP)		
	5 µm	10 µm	25 µm
RFMR-KIT			
600	85	153	170
800	115	207	230
1200	170	306	340

	Glass fibre with pre-filter (UHC)		
	5 µm	10 µm	20 µm
RFMR-KIT			
600	272	408	459
800	368	552	621
1200	544	816	918

	Glass fibre (ULP)		
	5 µm	10 µm	25 µm
RFMR-SET			
600	85	153	170
800	115	207	230

	Glass fibre with pre-filter (UHC)		
	5 µm	10 µm	20 µm
RFMR-SET			
600	272	408	459
800	368	552	621

Filter elements are available with the following pressure stability values:
Glass fibre (ULP): 6 bar
Glass fibre with pre-filter (UHC): 6 bar
Wire mesh (WR): 6 bar

1.3 FILTER SPECIFICATIONS

Nominal pressure	up to 10 bar
Temperature range	-30 °C to +120 °C
Material of housing tube	Steel
Material of cover plate	EN-GJS-400-15: RFMR-KIT EN-GJL-250: RFMR-SET
Bypass cracking pressure	3 bar (others on request)

1.4 SEALS

NBR (= Perbunan)

1.5 INSTALLATION

In-tank filter

1.6 SPECIAL MODELS AND ACCESSORIES

without magnetic core

1.7 SPARE PARTS

See Original Spare Parts List

1.8 CERTIFICATES AND APPROVALS

Test certificate 2.2
Other approvals on request

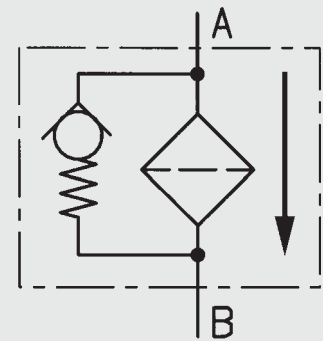
1.9 COMPATIBILITY WITH HYDRAULIC FLUIDS ISO 2943

- Hydraulic oils H to HLPD DIN 51524
- Lubrication oils DIN 51517, API, ACEA, DIN 51515, ISO 6743
- Compressor oils DIN 51506
- Biodegradable operating fluids VDMA 24568 HETG, HEES, HEPG
- Fire-resistant fluids HFA, HFB, HFC and HFD
- Operating fluids with high water content (>50% water content) on request

1.10 IMPORTANT INFORMATION

- Filter housings must be earthed.
- When using electrical clogging indicators, the electrical power supply to the system must be switched off before removing the clogging indicator connector.

Symbol for hydraulic systems



2. MODEL CODE (also order example)

RFMR ULP 800 KIT 10 W 1 . X /-V

2.1 IN-TANK MOUNTED FILTER RFMR-KIT VERSION

Filter type _____

RFMR

Filter material of element _____

ULP Glass fibre
UHC Glass fibre with pre-filter
WR Wire mesh

Size of filter or element _____

RFMR: 600, 800, 1200

In-tank version _____

KIT housing tube and filter cover plate only

Filtration rating in μm _____

ULP : 5, 10, 25
UHC : 5, 10, 20
WR : 25, 40, 60

Type of clogging indicator _____

W without port, no clogging indicator

Type code _____

1

Modification number _____

X the latest version is always supplied

Supplementary details _____

no details = standard bypass cracking pressure B3 = 3 bar
V FPM seals
OM without magnetic core

2.1 IN-TANK MOUNTED FILTER RFMR-SET VERSION

RFMR ULP 800 SET 10 W 1 . X /-V

Filtertype _____

RFMR

Filter material of element _____

ULP Glass fibre
UHC Glass fibre with pre-filter
WR Wire mesh

Size of filter or element _____

RFMR: 600, 800

In-tank version _____

SET filter cover plate and element spigot only

Filtration rating in μm _____

ULP : 5, 10, 25
UHC : 5, 10, 20
WR : 25, 40, 60

Type of clogging indicator _____

W without port, no clogging indicator

Type code _____

1

Modification number _____

X the latest version is always supplied

Supplementary details _____

no details = standard bypass cracking pressure B3 = 3 bar
V FPM seals
OM without magnetic core

2.3 REPLACEMENT ELEMENT

0800 R 010 ULP /-V

Size _____

0600, 0800, 1200

Type _____

RX Elements for KIT version
RY Elements for SET version

Filtration rating in μm _____

ULP : 005, 010, 025
UHC : 005, 010, 020
WR : 025, 040, 060

Filter material _____

ULP, UHC, WR

Supplementary details _____

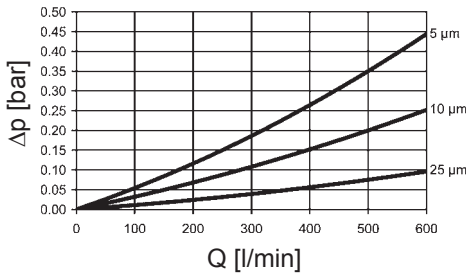
V (for descriptions, see point 2.1)

3. FILTER CALCULATION / SIZING

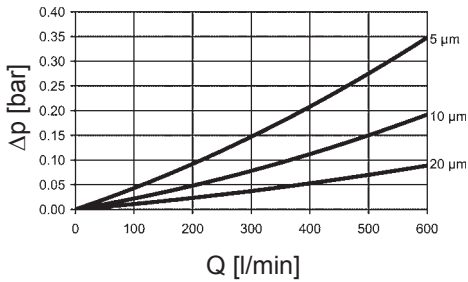
3.1 GRAPHS FOR COMPLETE FILTER

The curves for complete filters apply to mineral oil with a density of 0.86 kg/dm³ and a kinematic viscosity of 30mm²/s.

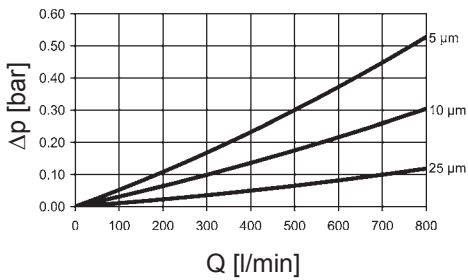
RFMR 600 KIT: ULP



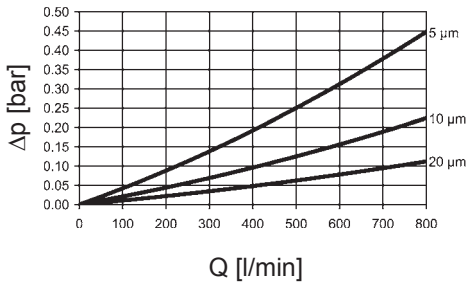
RFMR 600 KIT: UHC



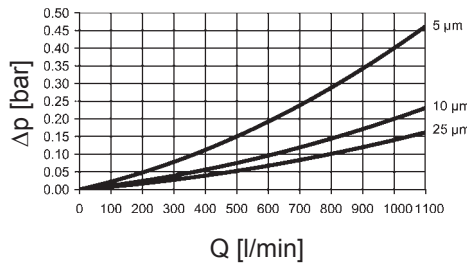
RFMR 800 KIT: ULP



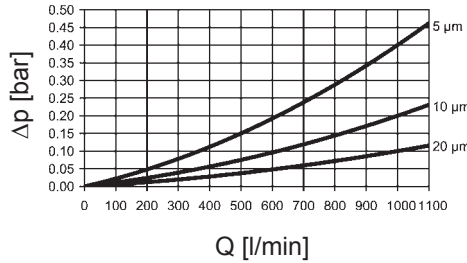
RFMR 800 KIT: UHC



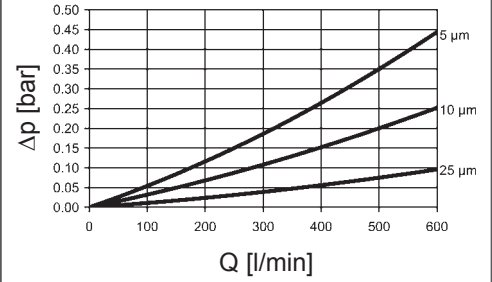
RFMR 1200 KIT: ULP



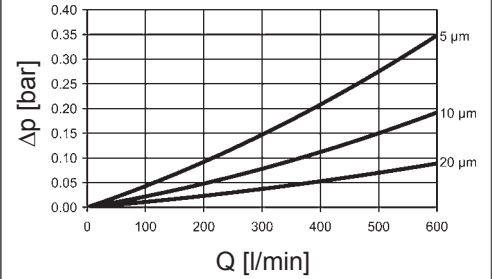
RFMR 1200 KIT: UHC



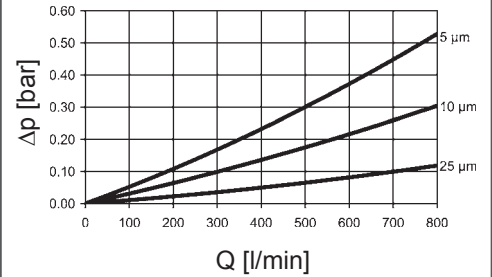
RFMR 600 SET: ULP



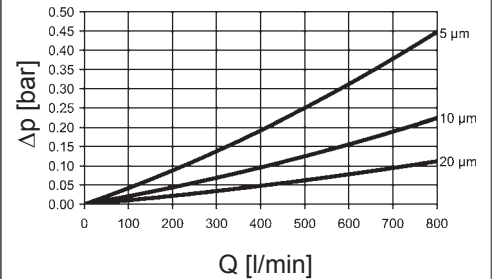
RFMR 600 SET: UHC



RFMR 800 SET: ULP

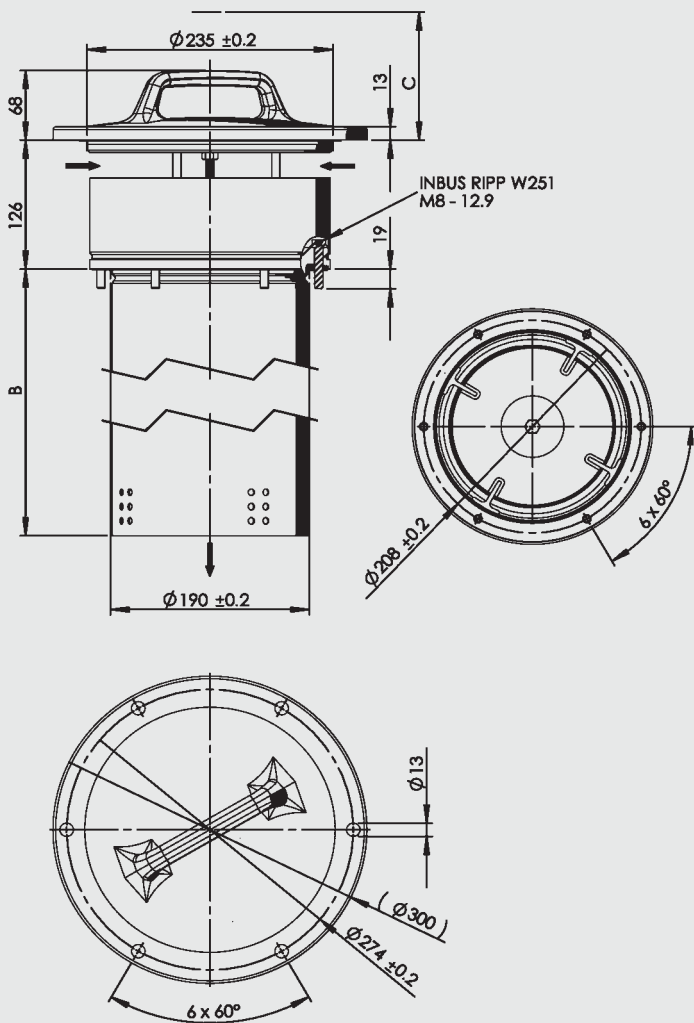


RFMR 800 SET: UHC

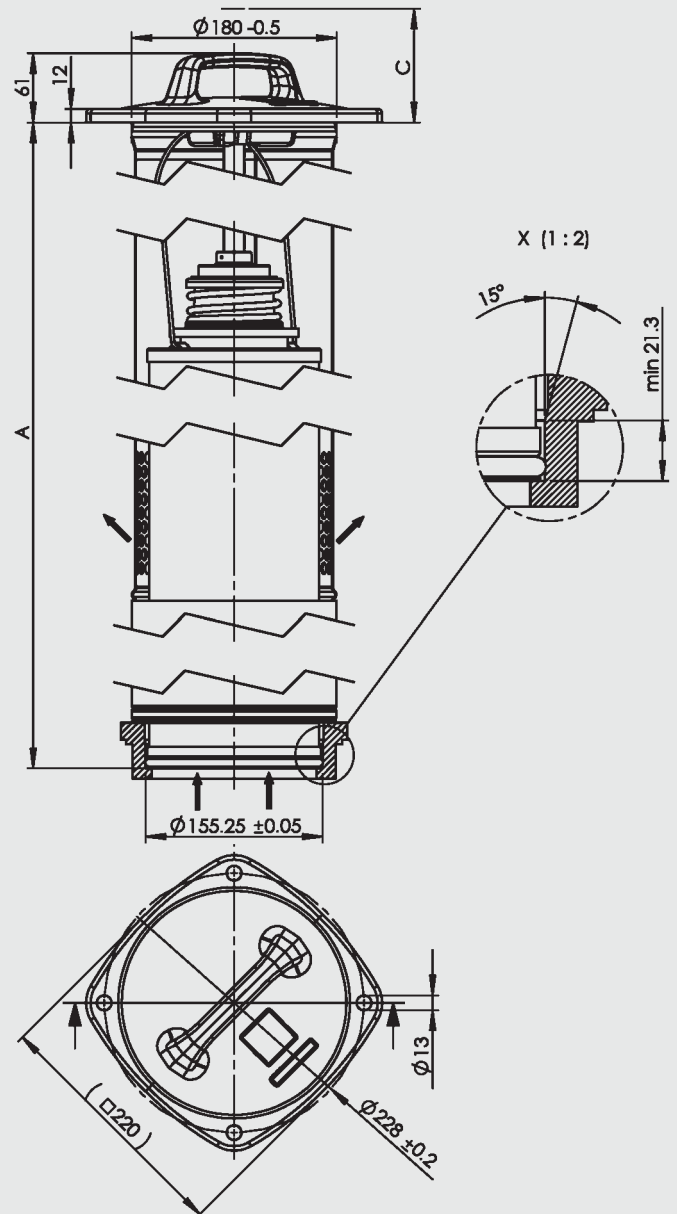


4. DIMENSIONS

RFMR 600 - 1200 KIT



RFMR 600 - 800 SET



RFMR KIT	B	C min.	Weight incl. element [kg]
600	694	570	23.9
800	680	685	25.2
1200	1324	1005	32.1

RFMR SET	A	C min.	Weight incl. element [kg]
600	780	775	11.0
800	980	975	12.2

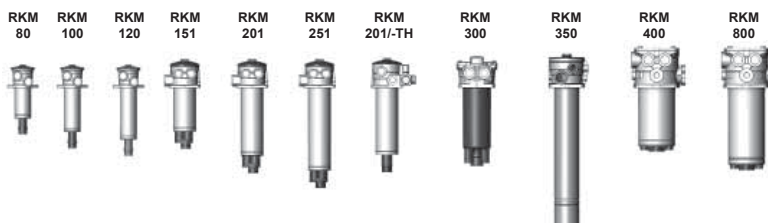
NOTE

The information in this brochure relates to the operating conditions and applications described. For applications or operating conditions not described, please contact the relevant technical department. Subject to technical modifications.

HYDAC FILTERTECHNIK GMBH
 Industriegebiet
D-66280 Sulzbach/Saar, Germany
 Tel.: 0 68 97 / 509-01
 Fax: 0 68 97 / 509-300
 Internet: www.hydac.com
 E-mail: filter@hydac.com



Return line and Suction Boost Filter RKM up to 800 l/min, up to 10 bar



1. TECHNICAL SPECIFICATIONS

1.1 FILTER HOUSING

Construction

The filter housings are designed in accordance with international regulations. They consist of a filter head, filter bowl and a screw-on cover plate.

Standard equipment:

- with bypass valve
- with back-pressure valve
- without anti-cavitation valve

Application

RKM return line & suction boost filters are ideally suited for use in equipment with two or more circuits. In particular this filter is the "first choice" for mobile machinery using hydrostatic drives (e.g. wheel loaders, fork-lift trucks, harvesting machines), if the return flow is greater than the flow required on the suction side under operating conditions.

Function

The return flow of the operating hydraulics is supplied to the filter via one or several inlets "A" and is cleaned by the filter element (full flow return line filtration). A pressure of 0.5 bar (standard) is applied inside the element by the back-pressure valve "V1".

This ensures that the filtered return line flow is available to the hydrostatic feed pumps connected in "B" ports (full flow suction boost filtration). The risk of cavitation is significantly reduced. The excess flow is drained to the tank via port "T". A bypass valve "V2" (standard = 2.5 bar) is fitted to relieve excessive back-pressures in the element (important on cold starts). This valve arrangement ensures that only finely filtered oil is available to the suction port during operation (exception: RKM 350).

With optional valve "V3", oil can be drawn from the tank for short periods, e.g. initial filling, venting after changing element.

1.2 FILTER ELEMENTS

The filter elements used in RKM filters are characterised by low back-pressures, especially at high viscosities (e.g. cold starts).

1.3 FILTER SPECIFICATIONS

Nominal pressure	10 bar
Temperature range	-30 °C to +100 °C (short-term: -40 °C)
Material of filter head	Aluminium
Material of filter bowl	Steel (all RKM except for RKM 300) Polyamide (RKM 300)
Material of cover plate	Polyamide (RKM 80 to 251, 350) Aluminium (RKM 300, 400, 800)
Type of clogging indicator	VMF – Connection thread G 1/8
Pressure setting of the clogging indicator	-0.2 bar (vacuum pressure) 2 bar (back-pressure) (others on request)
Bypass cracking pressure (V2)	2.5 bar (others on request)
Setting for back-pressure valve (V1)	0.5 bar (others on request)

HYDAC filter elements are validated and their quality is constantly monitored according to the following standards:

- ISO 2941, ISO 2942, ISO 2943, ISO 3724, ISO 3968, ISO 11170, ISO 16889

Contamination retention capacities in g

RKM	Mobilemicron		
	8 µm	10 µm	15 µm
80	11.0	11.0	13.3
100	16.3	16.3	19.6
120	20.7	20.7	25.0
151	33.4	33.4	40.3
201	50.9	50.9	61.4
251	61.9	61.9	74.7
300	55.6	55.6	67.1
350	87.0	87.0	105.0
400	67.4	67.4	81.3
800	86.3	86.3	104.2

Pressure stability value: 10 bar

1.4 SEALS

Perbunan (=NBR)

1.5 MOUNTING

Tank-top filter

1.6 SPECIAL MODELS AND ACCESSORIES

- with bleed valve
- with multiport head (only RKM 80 to 251; see point 2.4)
- with integral thermal bypass valve (only RKM 151, 201, 251; see point 2.5)
- with anti-cavitation valve (V3)

1.7 SPARE PARTS

See Original Spare Parts List

1.8 CERTIFICATES AND APPROVALS

On request

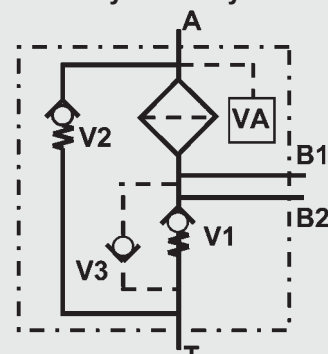
1.9 COMPATIBILITY WITH HYDRAULIC FLUIDS ISO 2943

- Hydraulic oils H to HLPD DIN 51524
- Lubrication oils DIN 51517, API, ACEA, DIN 51515, ISO 6743
- Compressor oils DIN 51506
- Biodegradable operating fluids VDMA 24568 HETG, HEES, HEPG
- Fire-resistant fluids HFA, HFB, HFC and HFD
- Operating fluids with high water content (>50% water content) on request

1.10 IMPORTANT INFORMATION

- Filter housings must be earthed.
- When using electrical clogging indicators, the electrical power supply to the system must be switched off before removing the clogging indicator connector.

Symbol for hydraulic systems



VA = clogging indicator

2. MODEL CODE (also order example)

RKM MM 300 B T F 10 W 0 . X /-NR-EV

2.1 COMPLETE FILTER

Filter type _____

RKM

Filter material of element _____

MM Mobilemicron

Size of filter or element _____

RKM: 80, 100, 120, 151, 201, 251, 300, 350, 400, 800

Operating pressure _____

B 10 bar

Type and size of suction line _____

Type	Port	Filter size									
		80	100	120	151	201	251	300	350	400	800
T	2 x CS1¼				●	●	●	●			
V	2 x G1				●	●	●				
X	1 x G1	●	●	●					●		
Y	1 x G¾	●	●	●							
Z	To customer spec.	●	●	●	●*	●*	●*			●	●

Type and size of return line _____

Type	Port	Filter size									
		80	100	120	151	201	251	300	350	400	800
C	1 x G¾	●	●	●							
D	1 x G1	●	●	●							
E	1 x G1¼				●	●	●				
F	1 x CS1½							●			
G	1 x G1½								●		
Z	To customer spec.	●°	●°	●°	●*°	●*°	●*°			●	●

° only in conjunction with multiport head

* only in conjunction with thermal bypass valve

Filtration rating in µm _____

MM: 8, 10, 15

Type of clogging indicator _____

W without port for clogging indicator

Y plastic blanking plug in indicator port

A steel blanking plug in indicator port

F pressure switch

K return line and vacuum pressure gauge

R return line pressure gauge

UF vacuum switch

for other clogging indicators, see brochure no. 7.050../..

Type code _____

0 no indicator

1-5 see point 2.6

Modification number _____

X the latest version is always supplied

Supplementary details _____

no details = standard (without anti-cavitation valve; seals NBR; bypass valve 2.5 bar; back-pressure valve 0.5 bar)

B3-CV3.5 bypass valve with 3 bar cracking pressure and back-pressure valve with 3.5 bar cracking pressure (only RKM 350)

B6-CV3 bypass valve with 6 bar cracking pressure and back-pressure valve with 3 bar cracking pressure (only RKM 100, 300)

ES vent plug

EV air bleed valve

NR anti-cavitation valve (not on RKM 350)

NRF125 anti-cavitation valve and coarse strainer 125 µm (not on RKM 350)

ND pressure release valve in back-pressure valve

UT filter suitable for use when immersed horizontally in oil

V FPM seals

xxxxx only RKM 80 to 251 (see point 2.4)

xxxxxxx only RKM 400 and 800 (see point 2.4)

THxx only RKM 151, 201, 251 (see point 2.5)

for symbols see point 2.7

2.2 REPLACEMENT ELEMENT

0300 RK 010 MM /-V

Size _____

0080, 0100, 0120, 0151, 0201, 0251, 0300, 0350, 0400, 0800

Type _____

RK

Filtration rating in µm _____

MM 008, 010, 015

Filter material _____

MM

Supplementary details _____

V FPM seal

2.3 REPLACEMENT CLOGGING INDICATOR

VMF 2 F . X

The return line indicator monitors the level of contamination in the element.

The vacuum indicator monitors the suction side pressure.

Type _____

VMF connection thread G 1/8

Pressure setting _____

0.2 -0.2 bar (vacuum pressure)

2 2 bar (back-pressure)

others on request

Type of clogging indicator (see Point 2.1) _____

Modification number _____

X the latest version is always supplied

2.4 PORT CONFIGURATION RKM 80 TO 251 MULTIPORT HEAD AND RKM 400 AND 800

Since there are numerous options for machining the ports on the multiport head and the head of the RKM 400/800, the general code BZZ is selected here. In order to determine the position and size of the ports, a 5-digit or a 9-digit code is added as a supplementary detail. This is determined using the table below. Unused ports are indicated by a "0".

R = Return line port; S = Suction port

Port configuration RKM 80, 100, 120 Multiport

Position in code	1	2	3	4	5
Connection	R1	R2	R3	S1	S2
G 1/2		(B)	(B)	B	B
G 3/4	(C)	C	C	(C)	(C)
1BSP	D				
Port plugged	0	0	0	0	0
Special port	Z	Z	Z	Z	Z

Example: RKM MM 100 BZZ 15 W 1.0 /-CBBCC

Port configuration RKM 151, 201, 251 Multiport

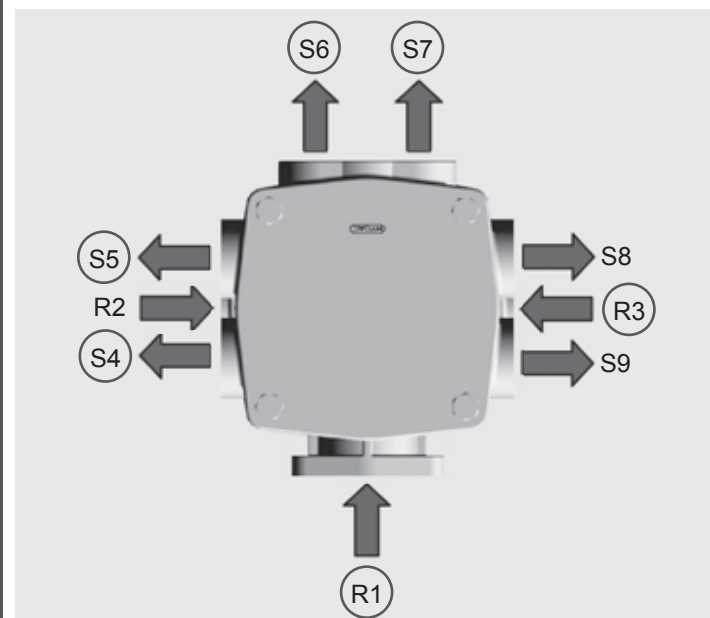
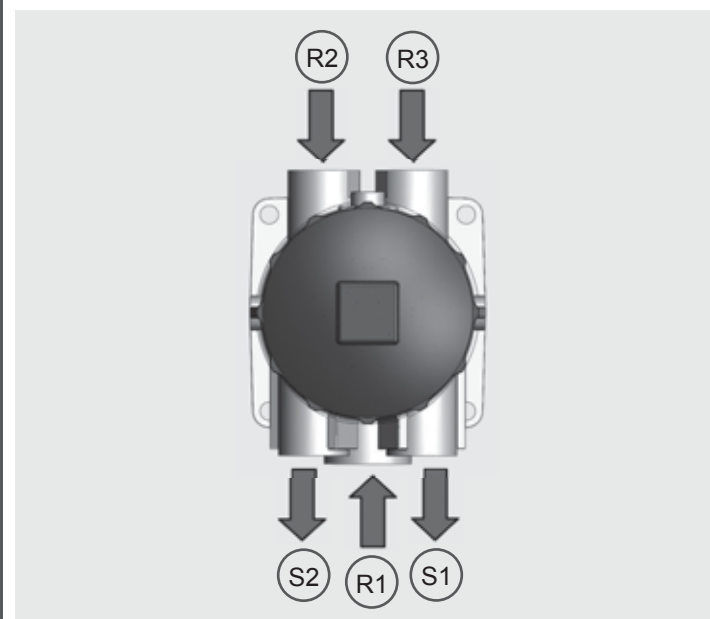
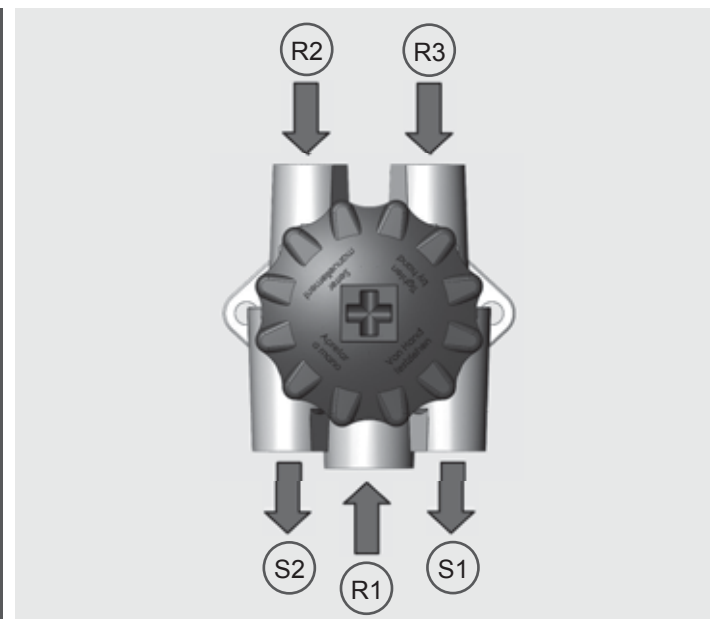
Position in code	1	2	3	4	5
Connection	R1	R2	R3	S1	S2
G 3/4		(C)	(C)	C	C
G 1	D	D	D	(D)	(D)
G 1 1/4	(E)				
Port plugged	0	0	0	0	0
Special port	Z	Z	Z	Z	Z

Example: RKM MM 201 BZZ 15 W 1.0 /-ECCDD

Port configuration RKM 400 and 800

Position in code	1	2	3	4	5	6	7	8	9
Connection	R1	R2	R3	S4	S5	S6	S7	S8	S9
SAE DN 50	(1)								
SAE DN 65	2								
1BSP		1	1	A	A	1	1	A	A
G1 1/4		2	(2)	B	B	(2)	(2)	B	B
G1 1/2		3	3	(C)	(C)	3	3	C	C
Port plugged		(0)	0	0	0	0	0	(0)	(0)
Special port		Z	Z	Z	Z	Z	Z	Z	Z

Example: RKM MM 400 BZZ 15 A 1.0 /-102CC2200



2.5 PORT CONFIGURATION RKM 151, 201, 251 WITH THERMAL BYPASS VALVE

The part flow which requires cooling can be directed via separate ports via the thermal valve. During a cold start, the spool of the thermal valve shuts off the flow to the cooler so that the fluid flows directly through the filter element. The position of the spool is regulated by the oil temperature. From approx. 50-60 °C the inlet to the cooler is completely open (diagram 1).

Alternative connection option according to diagram 2: A hose connects the inlet line of the cooler to the thermal valve. The connection configuration is determined by agreement with the customer.

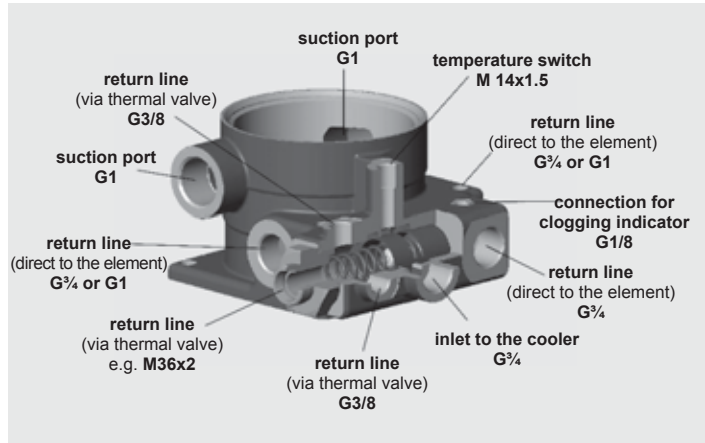


Diagram 1

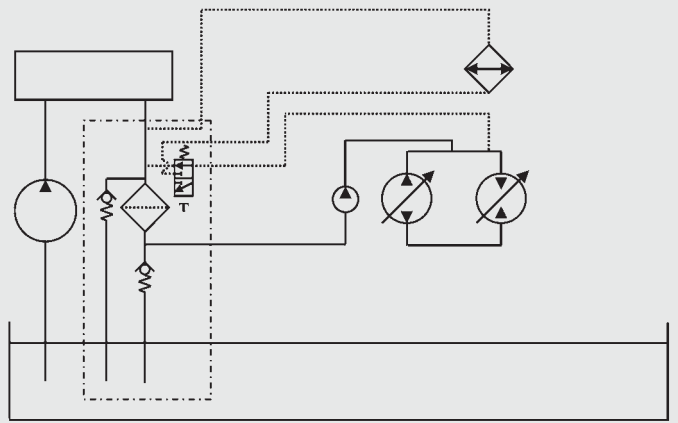
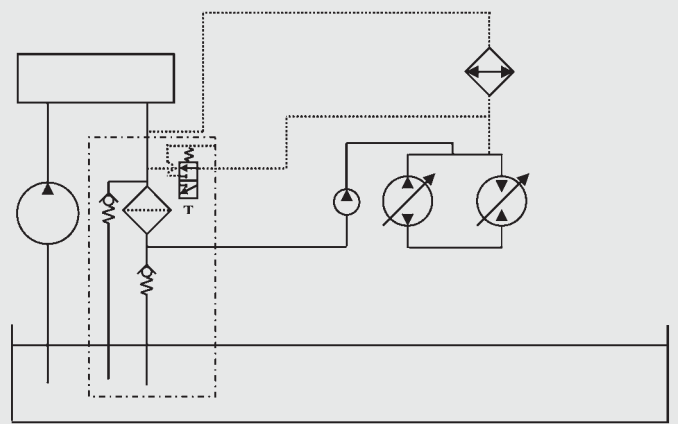
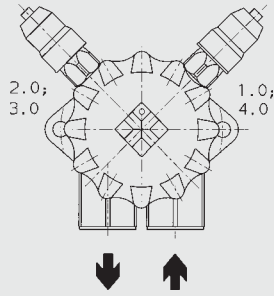


Diagram 2

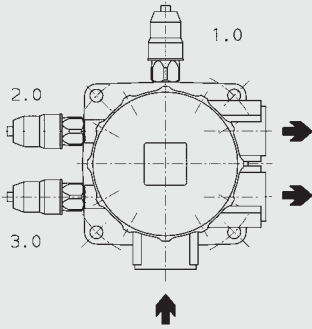


2.6 TYPE CODE

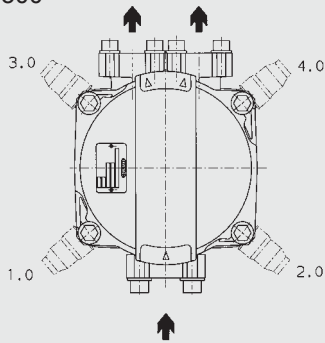
RKM 80, 100, 120



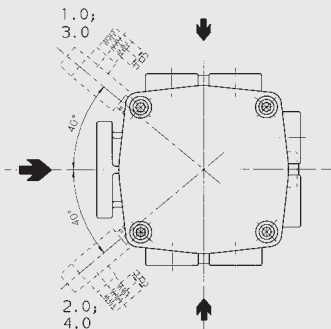
RKM 151, 201, 251



RKM 300



RKM 400, 800



Type code	Mounting position of the clogging indicator	Type of clogging indicator	Measuring
1.X	On filter inlet, on right, at bottom	Return Line	Before filter element
2.X	On filter inlet, on left, at bottom	Return Line	Before filter element
3.X	On filter inlet, on right, at top	Vacuum	After filter element
4.X	On filter inlet, on left, at top	Vacuum	After filter element
5.X	Type code 1.X and 3.X	2 indicators: Return line & vacuum	Before & after element

Type code	Mounting position of the clogging indicator	Type of clogging indicator	Measuring
1.X	Opposite filter inlet	Return line	Before filter element
2.X	On filter inlet, on left	Return Line	Before filter element
3.X	On filter inlet, on right	Vacuum	After filter element
5.X	Type code 1.X and 3.X	2 indicators: Return line & vacuum	Before & after element

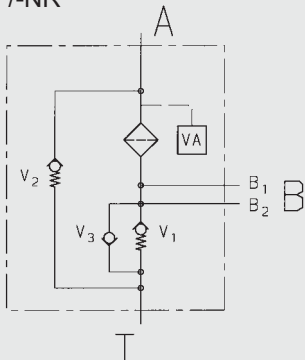
Type code	Mounting position of the clogging indicator	Type of clogging indicator	Measuring
1.X	On filter inlet, on left	Return Line	Before filter element
2.X	On filter inlet, on right	Return line	Before filter element
3.X	On filter inlet, on left	Vacuum	After filter element
4.X	On filter inlet, on right	Vacuum	After filter element
5.X	Type code 1.X and 3.X	2 indicators: Return line & vacuum	Before & after element

Type code	Mounting position of the clogging indicator	Type of clogging indicator	Measuring
1.X	On filter inlet, on left, at bottom	Return line	Before filter element
2.X	On filter inlet, on right, at bottom	Return line	Before filter element
3.X	On filter inlet, on left, at top	Vacuum	After filter element
4.X	On filter inlet, on right, at top	Vacuum	After filter element
5.X	Type code 1.X and 3.X	2 indicators: Return line & vacuum	Before & after element

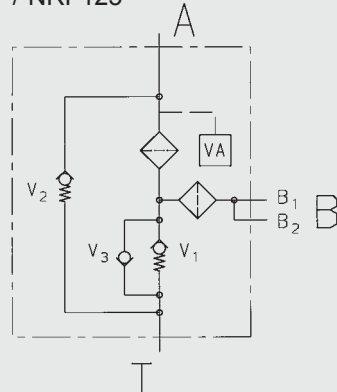
Other indicator configurations on request!

2.7 SYMBOLS

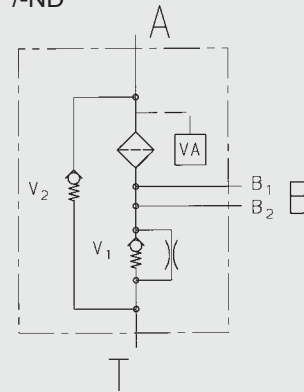
/-NR



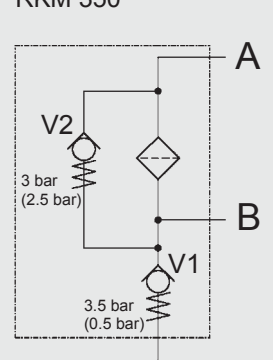
/-NRF125



/-ND



RKM 350



VA = clogging indicator

3. FILTER CALCULATION / SIZING

The total pressure drop of a filter at a certain flow rate Q is the sum of the housing Δp and the element Δp and is calculated as follows:

$$\Delta p_{\text{total}} = \Delta p_{\text{housing}} + \Delta p_{\text{element}}$$

$$\Delta p_{\text{housing}} = (\text{see Point 3.1})$$

$$\Delta p_{\text{element}} = Q \cdot \frac{SK^*}{1000} \cdot \frac{\text{viscosity}}{30}$$

(*see point 3.2)

For ease of calculation, our Filter Sizing Program is available on request free of charge.

NEW: Sizing online at www.hydac.com

3.1 GRADIENT COEFFICIENTS (SK) FOR FILTER ELEMENTS

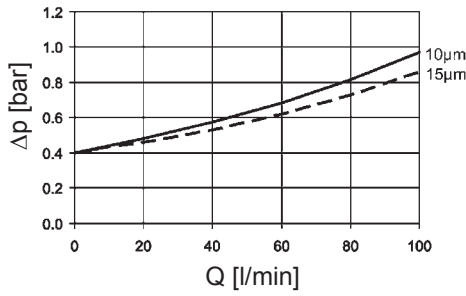
The gradient coefficients in mbar/(l/min) apply to mineral oils with a kinematic viscosity of 30 mm²/s. The pressure drop changes proportionally to the change in viscosity.

RKM	MM		
	8 μm	10 μm	15 μm
80	2.70	2.70	1.60
100	1.80	1.80	1.10
120	1.40	1.40	0.90
151	1.00	1.00	0.65
201	0.75	0.75	0.47
251	0.58	0.58	0.36
300	0.62	0.62	0.39
350	0.30	0.30	0.20
400	0.56	0.56	0.35
800	0.44	0.44	0.27

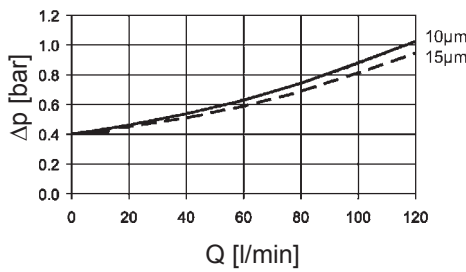
3.2 Δp -Q HOUSING CURVES INCLUDING ELEMENT BASED ON ISO 3968

The housing curves apply to mineral oil with a density of 0.86 kg/dm³ and a kinematic viscosity of 30mm²/s. In this case, the differential pressure changes proportionally to the density.

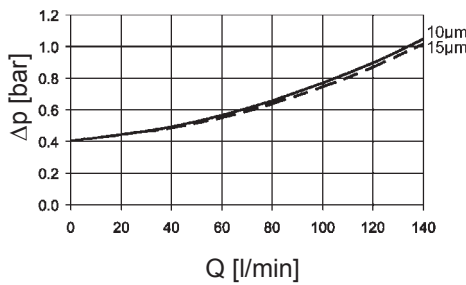
RKM 80



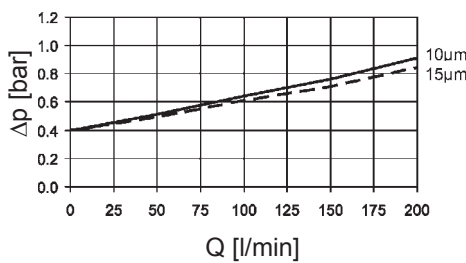
RKM 100



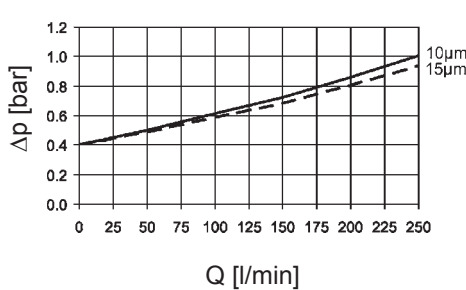
RKM 120



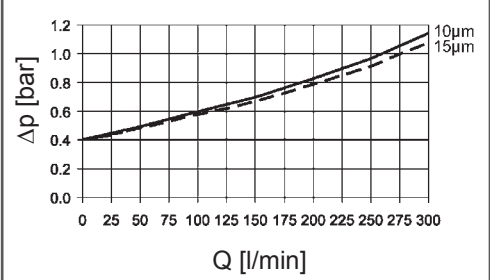
RKM 151



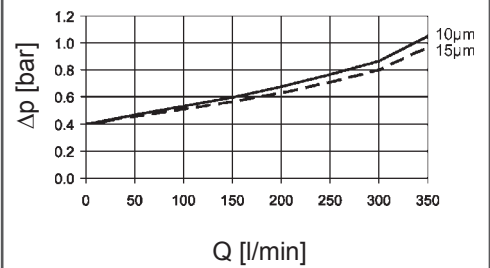
RKM 201



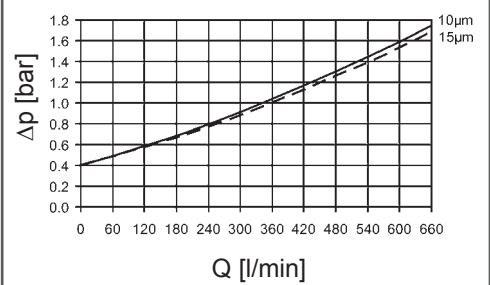
RKM 251



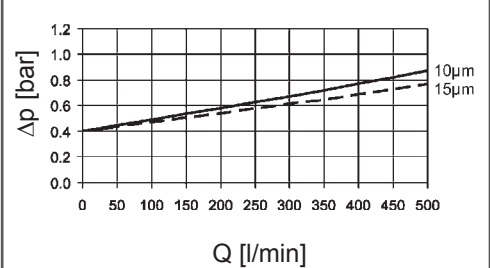
RKM 300



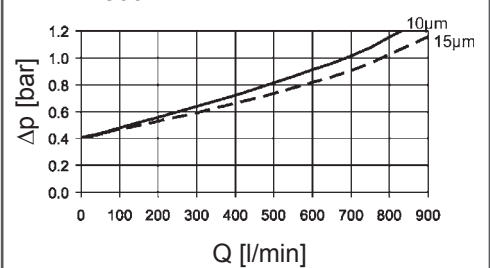
RKM 350



RKM 400

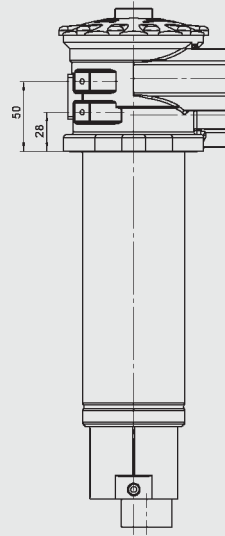
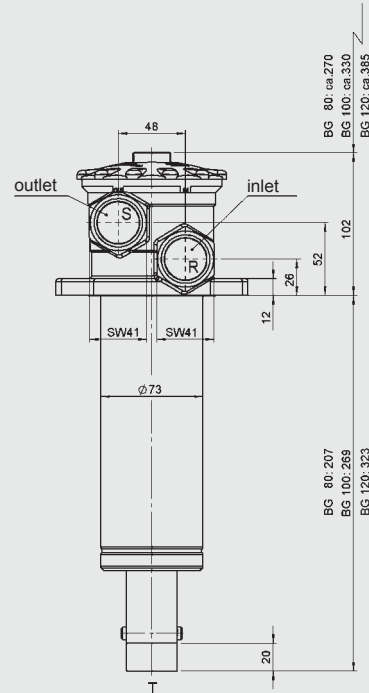


RKM 800

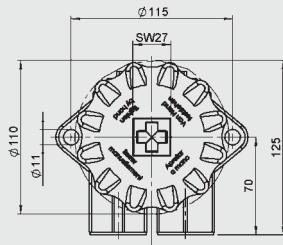


4. DIMENSIONS

RKM 80, 100, 120

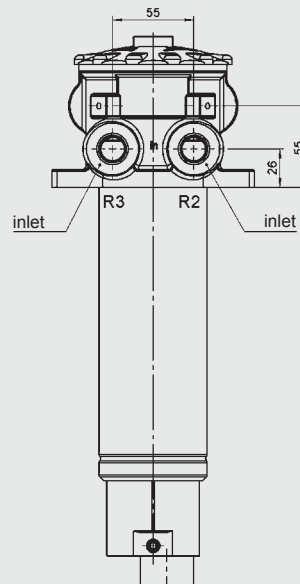
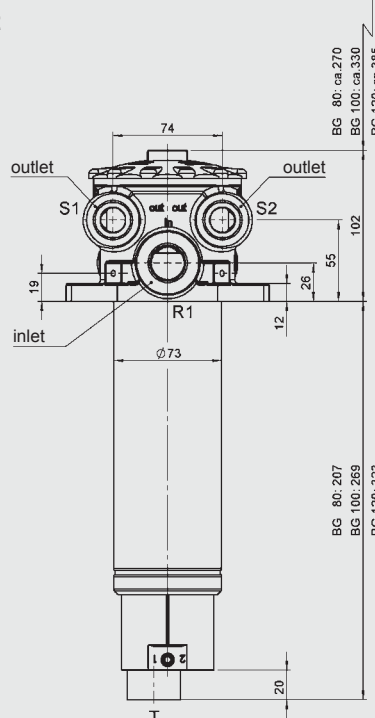


ca. = approx.
BG = size

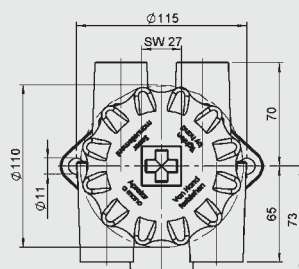


	Weight incl. element [kg]	Volume of pressure chamber [l]
RKM 80	1.5	0.80
RKM 100	1.7	1.00
RKM 120	1.9	1.20

RKM 80, 100, 120 Multiport

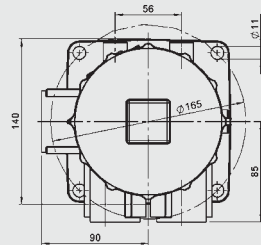
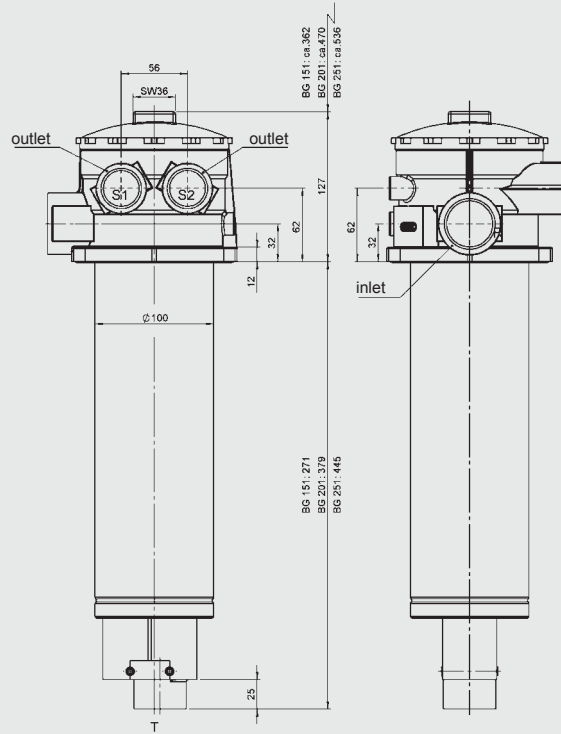


ca. = approx.
BG = size



	Weight incl. element [kg]	Volume of pressure chamber [l]
RKM 80	1.8	0.80
RKM 100	2.0	1.00
RKM 120	2.2	1.20

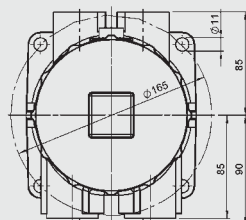
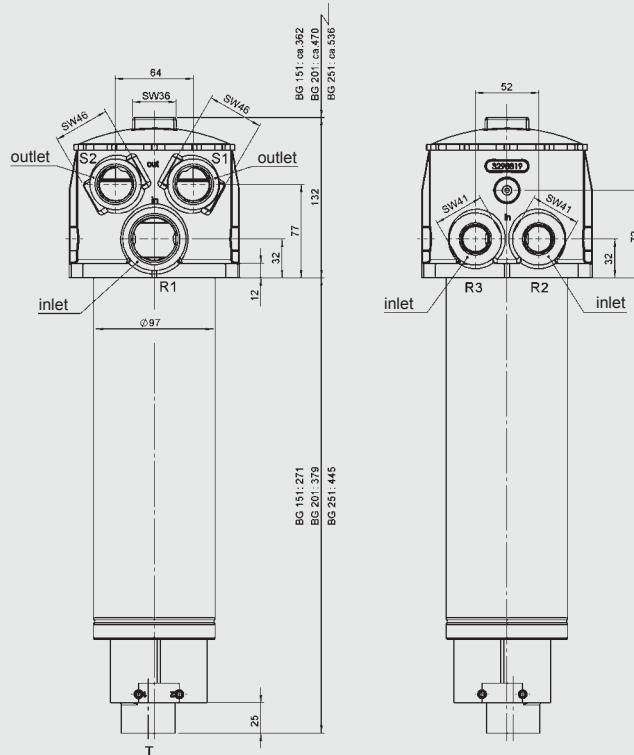
RKM 151, 201, 251



ca. = approx.
BG = size

	Weight incl. element [kg]	Volume of pressure chamber [l]
RKM 151	3.1	2.20
RKM 201	3.7	2.50
RKM 251	4.0	3.00

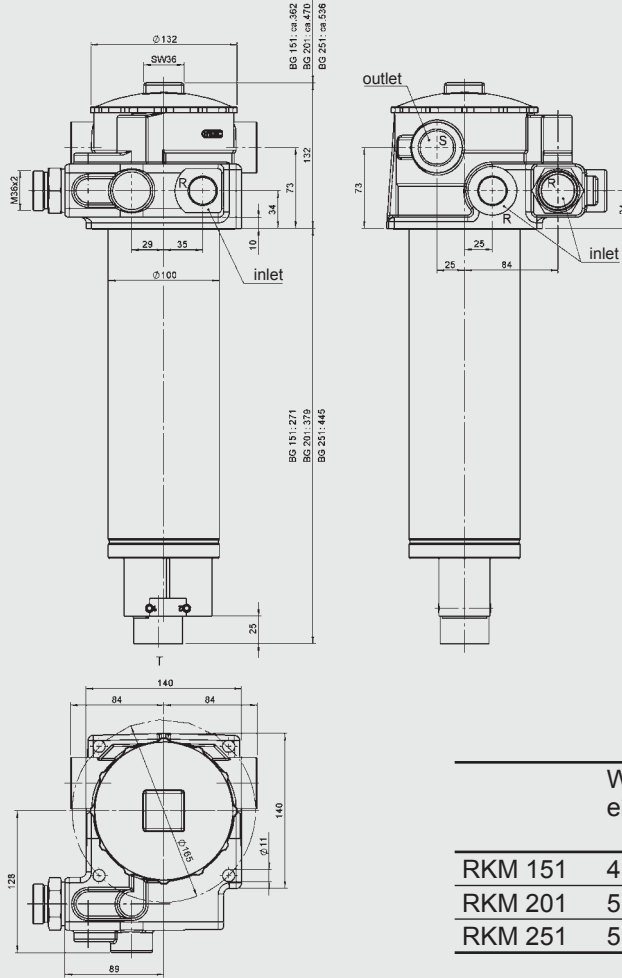
RKM 151, 201, 251 Multiport



ca. = approx.
BG = size

	Weight incl. element [kg]	Volume of pressure chamber [l]
RKM 151	3.5	2.20
RKM 201	4.2	2.50
RKM 251	4.5	3.00

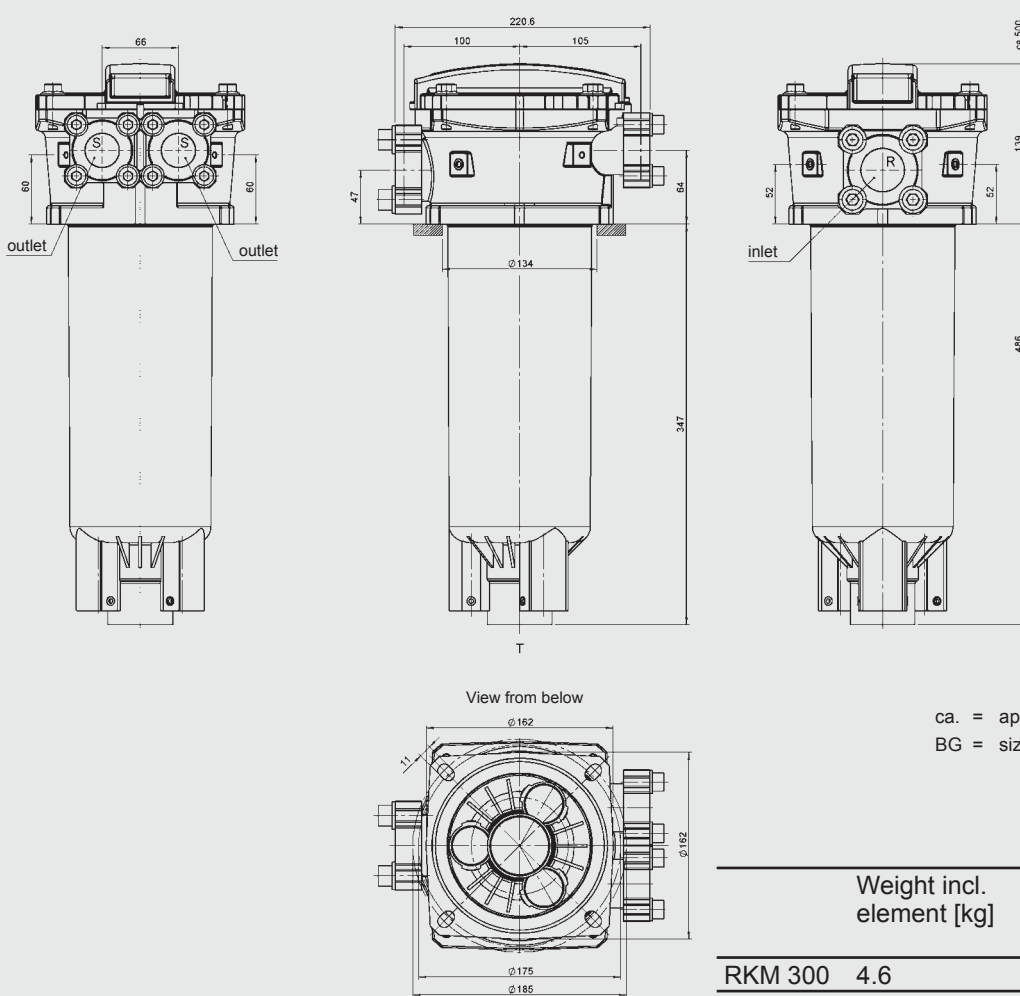
RKM 151, 201, 251 with Thermal Bypass Valve



ca. = approx.
BG = size

	Weight incl. element [kg]	Volume of pressure chamber [l]
RKM 151	4.6	2.20
RKM 201	5.2	2.50
RKM 251	5.5	3.00

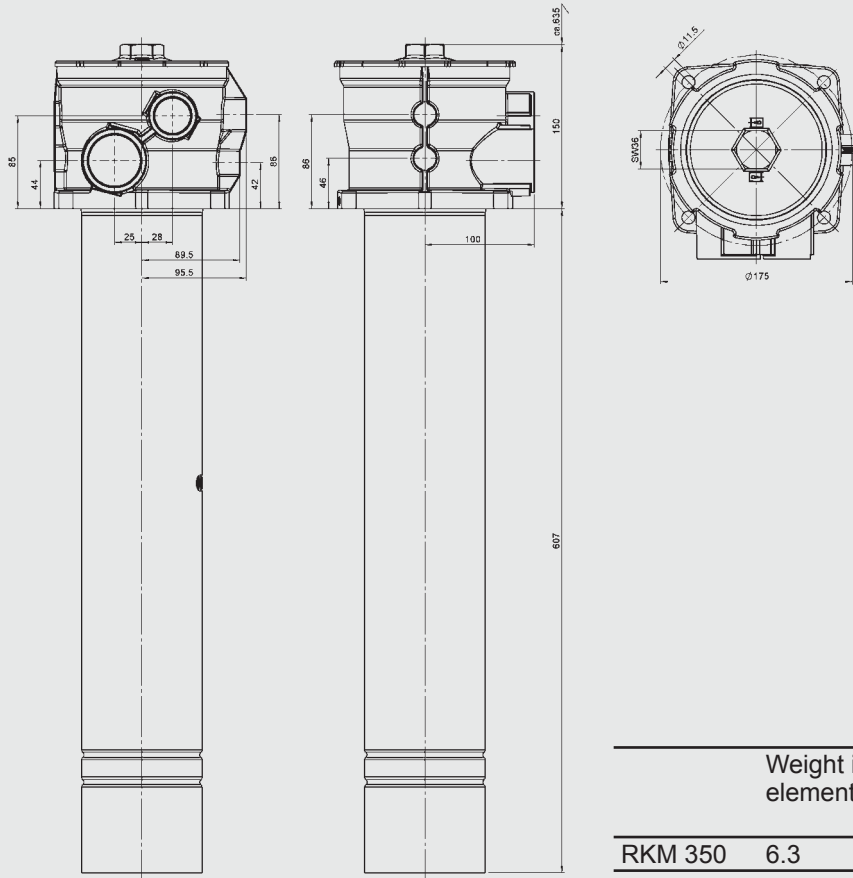
RKM 300



ca. = approx.
BG = size

	Weight incl. element [kg]	Volume of pressure chamber [l]
RKM 300	4.6	4.00

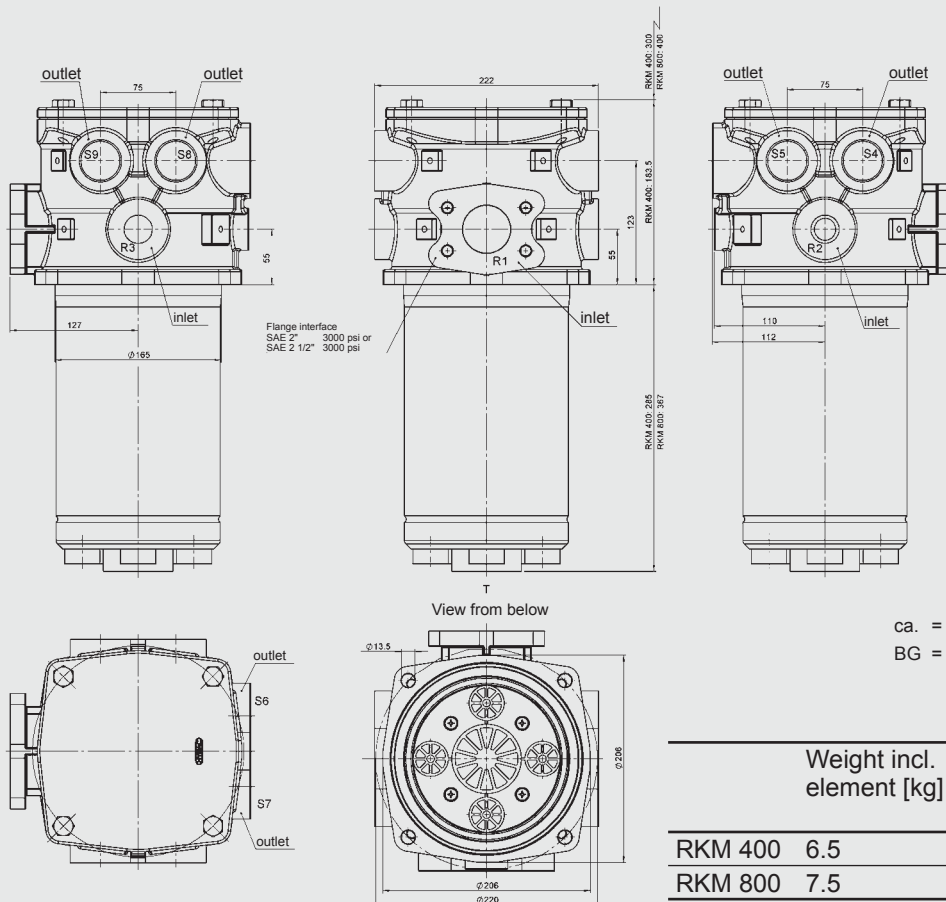
RKM 350



ca. = approx.
BG = size

	Weight incl. element [kg]	Volume of pressure chamber [l]
RKM 350	6.3	6.00

RKM 400, 800



ca. = approx.
BG = size

	Weight incl. element [kg]	Volume of pressure chamber [l]
RKM 400	6.5	8.50
RKM 800	7.5	10.00

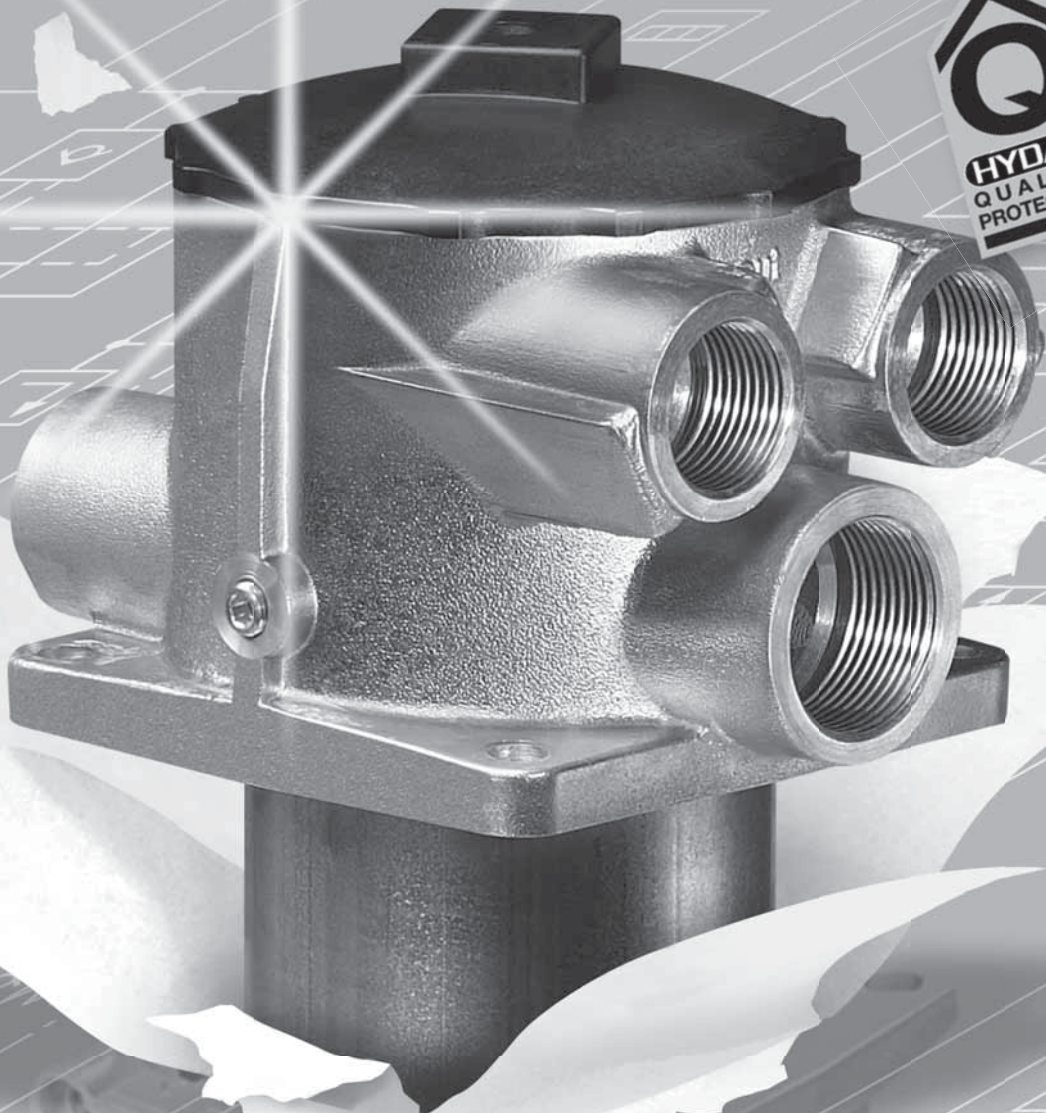
NOTE

The information in this brochure relates to the operating conditions and applications described.
For applications and operating conditions not described, please contact the relevant technical department.
Subject to technical modifications.

HYDAC FILTERTECHNIK GMBH
Industriegebiet
66280 Sulzbach/Saar, Germany
Tel.: 0 68 97 / 509-01
Fax: 0 68 97 / 509-300
Internet: www.hydac.com
E-mail: filter@hydac.com

Return Line Suction Boost Filter RKM. The New Generation.

Optimized for service. Optimized for efficiency. Quality protected.



Space saving

the need for at least one filter is eliminated

Reduced maintenance costs

reduces maintenance by at least half

First class component protection

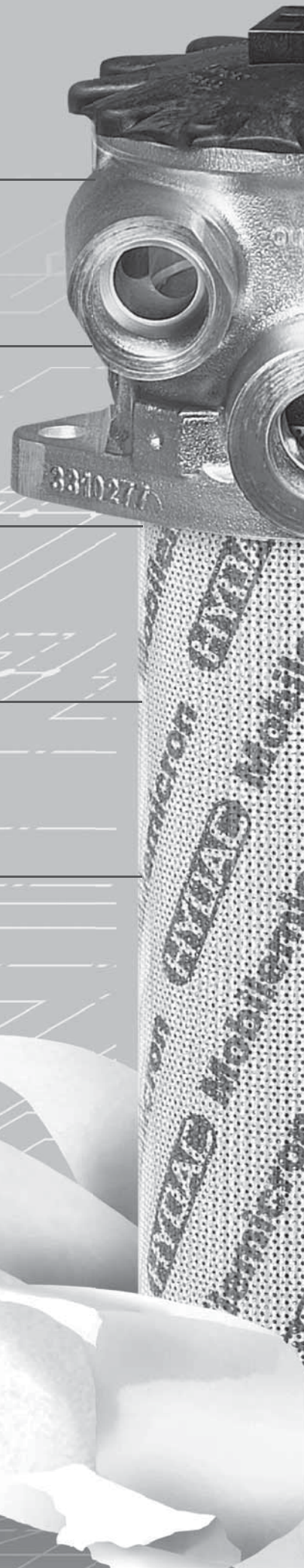
excellent filtration efficiency of the filter element which is optimized for cold starts

Increased operating reliability

new High Efficiency filter element technology

Warranty security

individual branding



The New Generation: The New Optimum.



First class pump protection

cavitation is reliably prevented

Flexible use

numerous connection options

Improved ease of maintenance

new design optimized for service

Long service life

high contamination retention

Guaranteed HYDAC quality

thanks to HYDAC Quality Protection



Your Professional Partner for Mobile Applications

With over 5,500 employees worldwide, HYDAC is one of the leading suppliers for fluid technology, hydraulic and electronic equipment.

With 40 overseas companies and over 500 sales and service partners we are a global player.

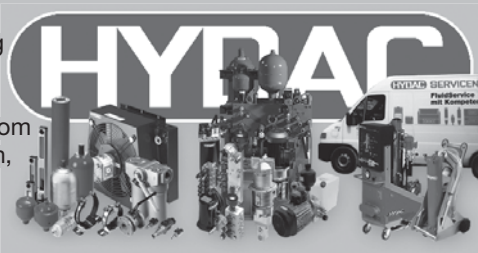
Our wide range of products, combined with our well-grounded expertise in all aspects of mobile machines, ensures HYDAC is qualified to be your professional partner for the mobile sector. Especially in the area of hydraulic filtration, you will benefit from decades of HYDAC experience and development successes.

Our quality and environment certification to ISO 9001/2000 and ISO 18001 denote first class quality and responsible management of our resources.

All from one supplier.

HYDAC will help find the solution for you!

From first class components right up to turnkey system solutions, from support during commissioning to maintenance and optimization, from professional filtration, to oil condition monitoring and expert cooling.



First class laboratory and testing expertise in the HYDAC Technical Centre

The new Technical Centre, specifically designed for filters and filter monitoring, is equipped with the most up-to-date instruments and test rigs. It offers a huge range of options for fluid analysis and filtration efficiency tests.

In our new laboratories, highly qualified staff are dedicated to continuously improving products and developing applications as well as carrying out analyses to customer specification – always tailored to the particular operating conditions.

In addition to the central facility at our headquarters there are further laboratories and mobile fluid laboratories in several HYDAC centres in Germany and overseas.



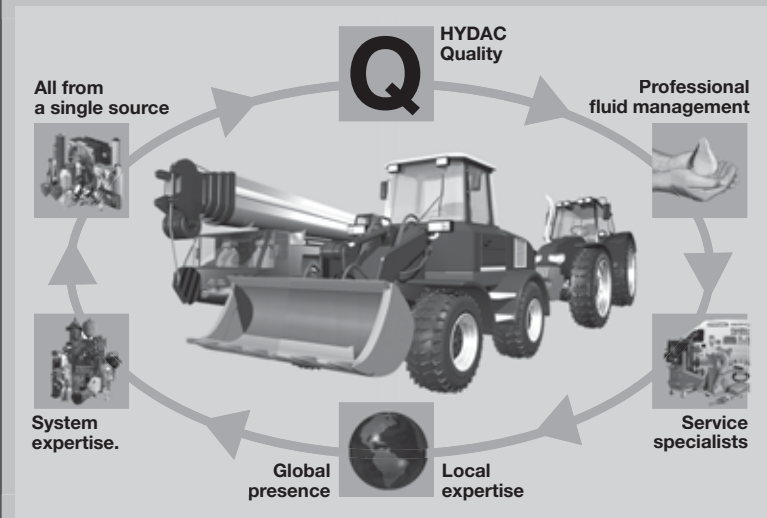
Just one example of the numerous filter testing procedures: **Multipass test rig.**

Oil analysis in the HYDAC laboratory at company headquarters.

With Us, You and Your Fluids are in the Safest Hands.

The specialists at HYDAC have a good knowledge of your fluid and welcome the opportunity to help you reduce the burden of fluid service. You will see for yourself the clear benefit of having a hydraulic or lubrication system that works perfectly, leaving you to concentrate fully on your area of expertise.

When you have decided on a HYDAC filter concept for your mobile machine, you are not "just" buying a filter, but you are also benefitting at the same time from the HYDAC network of expertise and service available worldwide:



Highest level of operating reliability for mobile applications.

In HYDAC you have a professional partner for all aspects of fluid cleanliness

This product overview shows just a single filter type. The whole filter range from HYDAC covers approximately fifty other types – the majority of which have been developed for mobile applications.

In addition, new individual solutions are constantly being developed, partly in active development partnership with the manufacturers.

HYDAC filters offer you the following advantages.

Low costs

the filter elements and housings are optimized for the mobile sector

Easy maintenance

simple element change and easy-to-install filter housing

High level of operating reliability

filter media have high filtration efficiency for exceptional cleanliness classes and benefit from a high level of production quality

Low operating costs

particularly low pressure drops across filter and filter element for low energy consumption

All components and systems from one company

providing comprehensive system know-how and integrated system approach

Worldwide availability and advice

provided by our worldwide network of regional offices, agents and service partners

Protection of the spare part business

thanks to special features such as "Brand Labelling" and "Quality Protection"

Filter housing optimized for service.

Never before has the RKM been so easy to service:

The element is, as previously, lifted with the filter bowl out of the tank-mounted head of the filter.

What's new is that the element is now firmly screwed to the bowl.

It will not become loose and can be lifted out smoothly. In addition, the convenient removal handle makes for a clean and easy element change.

Special advantage: the optional patented oil drain valve opens automatically to the tank when the filter cover plate is opened.

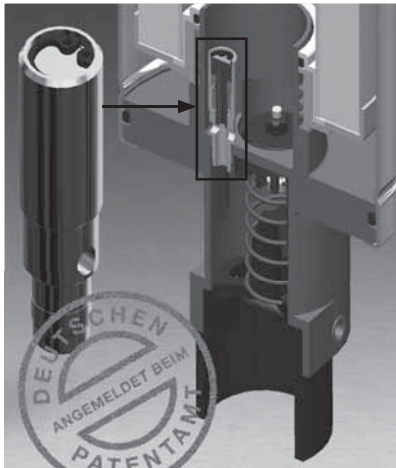
Customer benefits of the new generation:

Improved ease of maintenance no risk of injury

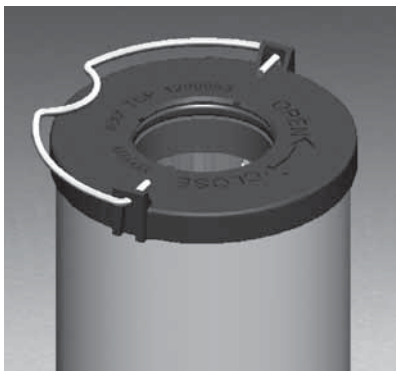
since the element is securely attached to bowl and a convenient removal handle is provided

Cleaner element change

element firmly attached to bowl and automatic oil drain valve available (as an option)



Patented oil drain valve.



Element with removal handle.

Filter elements optimized for efficiency.

In the Return Line & Suction Boost Filter RKM

special "Mobilemicron" filter elements have always been used which have an exceptionally good pressure drop characteristic.

In other words, for the same ambient conditions and flow rate,

Mobilemicron elements produce significantly lower Δp than comparable hydraulic elements.

For the new generation we have gone one better: **Mobilemicron elements in a High-Efficiency version** achieve particularly high separation rates. That means **still greater efficiency** for these already highly efficient Mobilemicron filter elements.

Customer benefits of the new generation:

Excellent component protection and increased machine availability

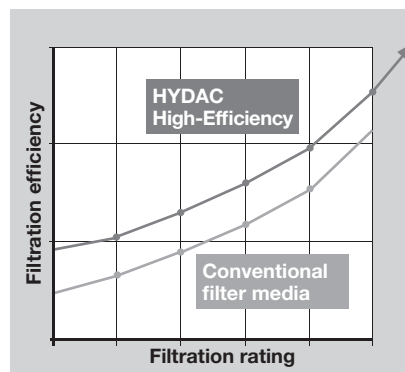
due to the outstanding filtration efficiency of the new High Efficiency elements

Protection of the shaft seals of the hydrostatic drive

particularly low pressure drop across the element (especially during cold start)



Mobilemicron filter elements.



High-Efficiency graph.

Quality Protection

The new RKM is equipped with a "Quality Protection solution". The anti-copying measures built into the top quality original elements prevent counterfeit elements being fitted.

In addition, the RKM elements can of course be overprinted as usual with your company logo (Brand Labelling).

Overprinting also supports the exclusive use of original elements.

Customer benefits of the new generation:

Outstanding quality of the replacement element

and with that, long service life of element and components, guaranteed cleanliness and high level of operating reliability

Safeguarding of the spare parts business particularly for OEMs

Guaranteed spare part quality

and therefore oil cleanliness in respect of warranty claims



Quality Protection. (Integrated anti-copying design)



Brand Labelling. (Element with customer logo)

The New Generation: Optimized for Service.

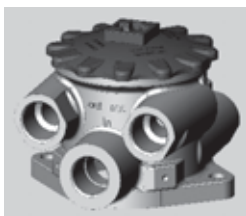
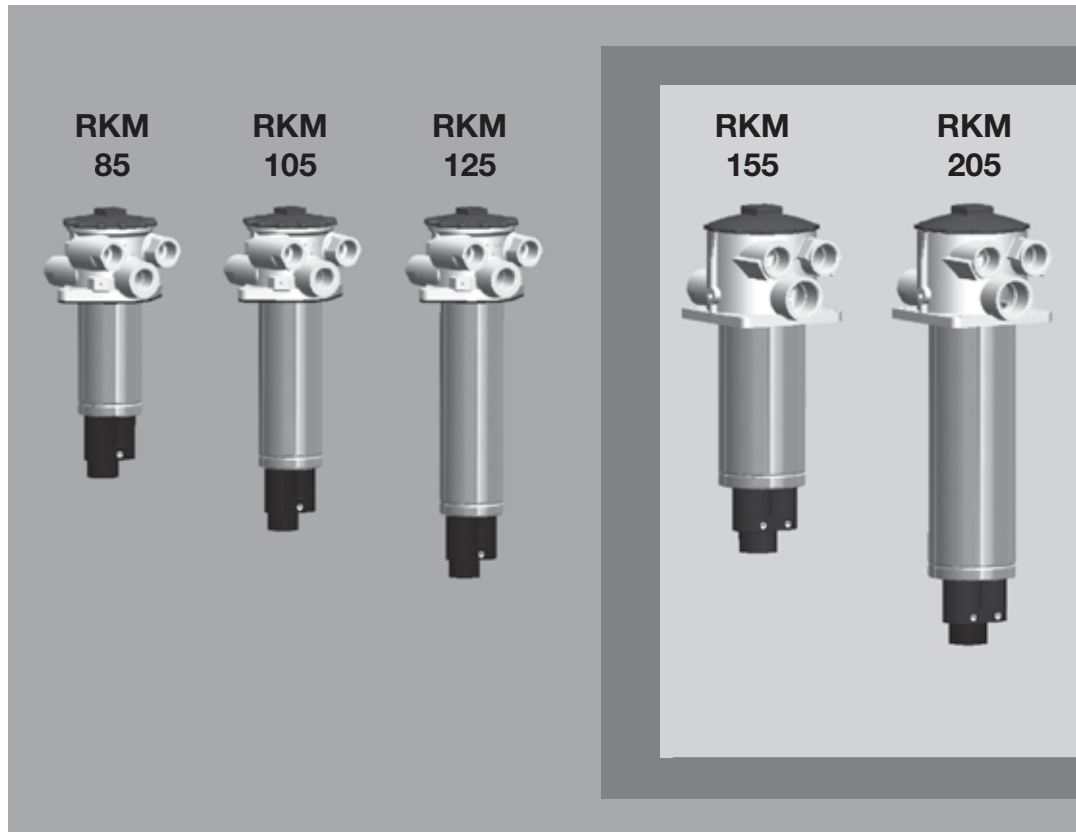
A filter crammed with cutting-edge technology.

The new RKM has not only been optimized in terms of service, efficiency and quality, but it also triumphs in terms of other beneficial refinements.

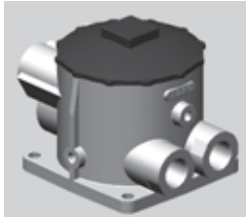
On this double page you will see the choice of possible RKM configurations. Each of the versions illustrated is the result of a specific customized solution. In other words, these are not "off the shelf" products but have developed from specific requests from the mobile sector.

The result is a range with matchless flexibility and a wealth of ideas. Further details can be found in the current brochure no. 7.108.2.

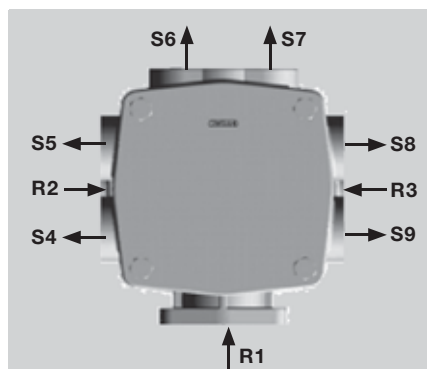
Needless to say, with the varied RKM standard range as your starting point, there is always the option of developing new RKM solutions individually tailored to your application and requirement profile. Please view this selection as a "appetizer" and let us know what solutions you are seeking.



Head of RKM 85 - 125 Multiport.



Head of RKM 155 - 255 Multiport.



Variety of connections with RKM Multiport.

RKM 85 – 255 and 405 – 805 Variety of connections with "RKM Multiport".

Almost all RKM sizes are available with a Multiport filter head. The huge number of possible combinations of return line and suction boost connections and the different port positions means that the filter can be quickly configured to suit individual customers.

For sizes 405 and 805 there are for example nearly 200,000 (!) versions available (see table below).

Particular advantages of having variety of connections:

- **Space and cost saving**
- **Reduction in components**
Need for blocks, hoses and threaded connections is eliminated
- **Reduced risk of leakage**
- **Great flexibility**

Connection	Return lines			Suction lines					
	R1	R2	R3	S4	S5	S6	S7	S8	S9
SAE DN 50	✓	x	x	x	x	x	x	x	x
SAE DN 65	✓	x	x	x	x	x	x	x	x
G 1	x	✓	✓	✓	✓	✓	✓	✓	✓
G 1¼	x	✓	✓	✓	✓	✓	✓	✓	✓
G 1½	x	✓	✓	✓	✓	✓	✓	✓	✓

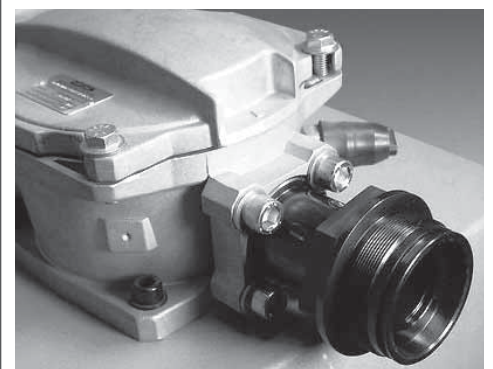
Connection options for return lines and suction lines.

RKM 155 – 305 with Cost-Saving connection "CS".

The patented CS connection is designed to speed up and simplify the mounting of hoses by using just four screws supplied with the filter.

Particular advantages of this version:

- **Simplified installation**
Whereas in the case of conventional SAE flanges four screws, four washers and two installation fittings are required per hose connection, the CS connection does not require any other additional installation fitting.
- **Improved cold start performance**
compared to standard threaded connections, due to lower pressure drop on suction side.



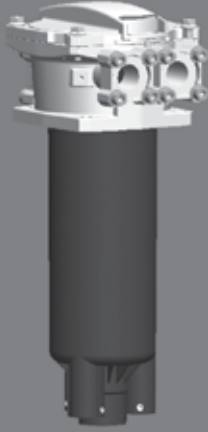
Advantageous Cost-Saving connection.

Optimized for efficiency. Quality protected.

**RKM
255**



**RKM
305**



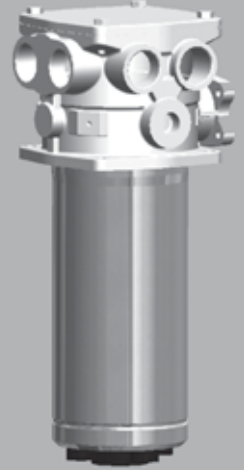
**RKM
355**



**RKM
405**



**RKM
805**



RKM 155 – 255 with thermal bypass valve

For the RKM 155 - 255, a temperature controlled cooler bypass valve can be built directly into the filter head, on request. This "intelligent" valve varies the volume of the fluid to be cooled depending on the temperature of the operating fluid.

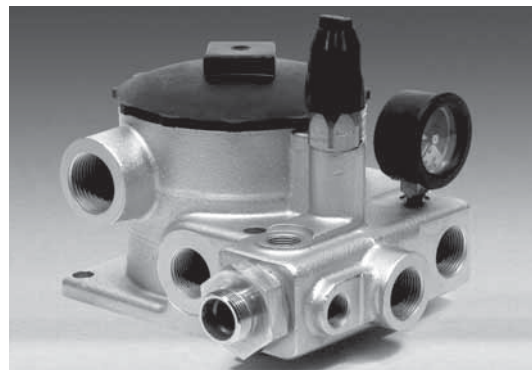
Particular advantages of this version:

Enhanced protection of the shaft seals during cold start

because the built-in temperature-controlled valve provides huge savings in Δp , particularly compared to externally piped cooler bypass valves which use check valves. Also in comparison to externally piped thermal valves, significant improvements in Δp are achieved.

Drastically reduced time and effort for installation (Plug & Play),

because the complete package is supplied ready-to-install (reduction in components) and the need for blocks and fittings is largely eliminated.



RKM head with built-in thermal bypass valve and numerous connection options (Multiport).

RKM 355 with cooler bypass valve.

The valve "V1" is used here as a cooler bypass valve.

It protects the cooler from excessive pressures. If the back pressure increases at the cooler during cold start, the valve opens and part of the flow drains directly to the tank.

In order to ensure full flow cooling, the element bypass valve discharges to the cooler.

Particular advantages of this version:

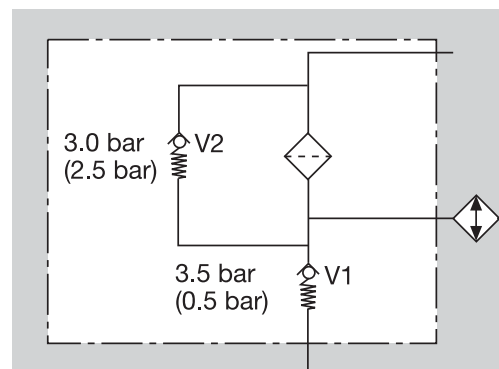
Space and cost saving

Cooler bypass valve built into the filter

Increased operating safety

Cooler always supplied with finely filtered oil

Pressure protection of the cooler



Function of the RKM 355 with cooler bypass valve.

HYDAC RKM: Two Filters in One.

A design that saves money.

By using a HYDAC Return Line & Suction Boost Filter RKM you will benefit from:

Space saving

Just one filter required instead of two

Easy maintenance

Half the time required for installation and maintenance

Cost saving

Lower investment, storage and service costs

Increased operating safety

Cavitation at the pump is reliably prevented and finely filtered oil is supplied even in the suction line.

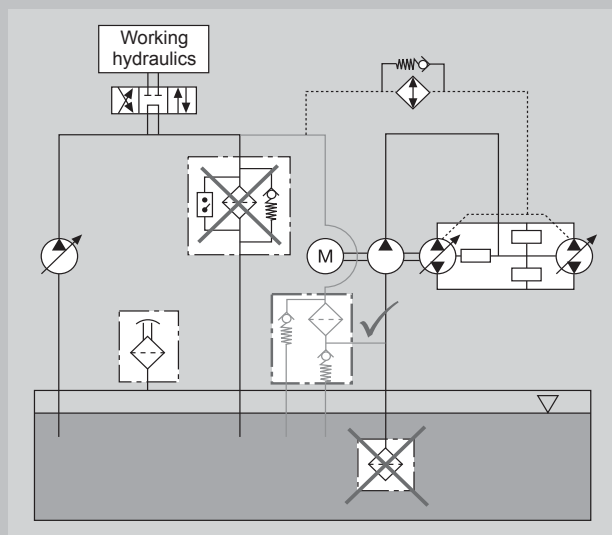
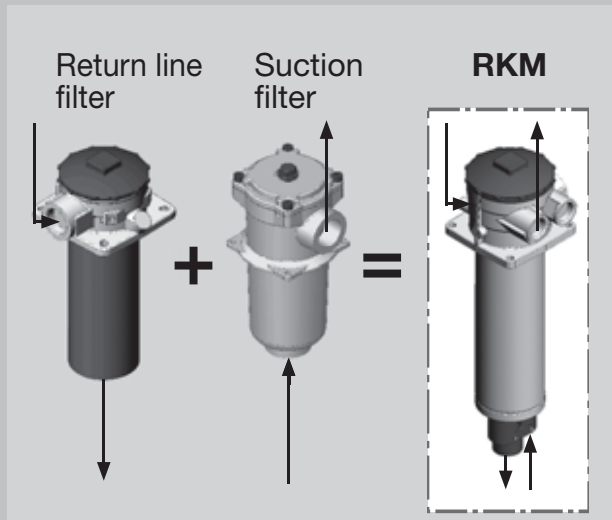
One filter.

Two functions.

All the advantages.

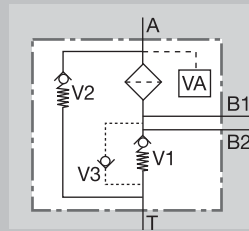
The RKM combines the advantages of a return line filter with those of a suction filter in a single filter!

Return line & suction boost filters are particularly suitable for use in machines with two or more circuits, such as for example in mobile working machines with hydrostatic traction drives (wheel loaders, forklifts).



Application example for the RKM in mobile machines.

Function.



The return line flow Q_R is supplied to the element via one or more inlets "A". Once the element has been subjected to flow from the outside to the inside, the back-pressure valve "V1" in the element builds 0.5 bar positive pressure. Particularly in cold start this positive pressure supports the suction characteristics of the pump(s)

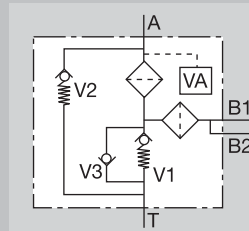
connected to "B" (e.g. boost pumps). This considerably reduces the risk of cavitation.

Ensure that the return line volume in operating conditions is always greater than the volume which is supplied on the suction side. The surplus volume drains to tank via "T". The bypass valve "V2" is fitted to relieve excessive back-pressure.

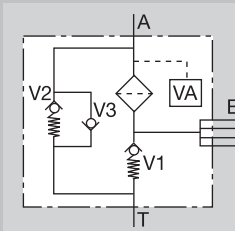
Part of the flow then drains directly to tank, bypassing the element. This configuration of valves ensures that only finely filtered oil reaches the suction port during operation*. The gradual increase of the valve characteristics contributes to keeping the back pressure in the return lines sufficiently low, even with high viscosity levels.

With optional valve "V3", oil can be drawn from the tank for short periods*, e.g. for initial filling and for venting.

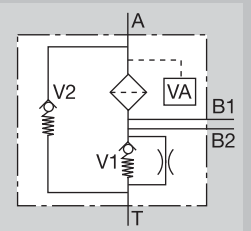
Further options:



Anti-cavitation valve* with coarse filter strainer for filtered oil also in anti-cavitation mode

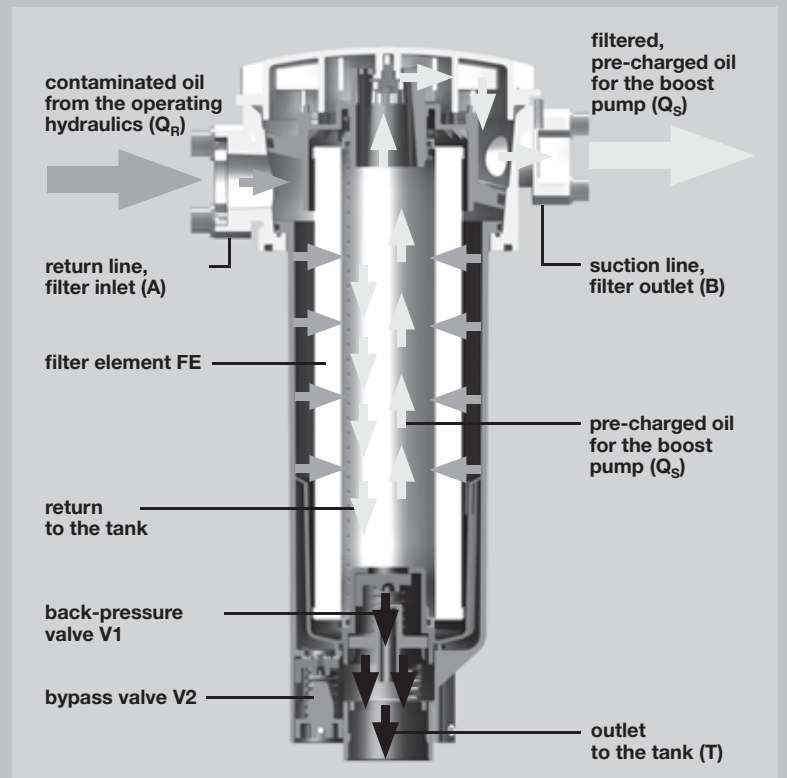


Anti-cavitation valve* in the element bypass valve "V2" for finely filtered oil also in anti-cavitation mode



Throttle in back-pressure valve "V1" for reducing pressure and draining oil

* not for RKM 355
VA = clogging indicator

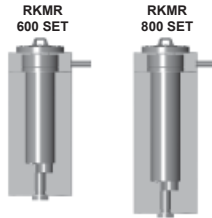


Function of the RKM.



Return Line Suction Filter RKMR

Element flow direction from in to out
In-tank versions:
up to 800 l/min, up to 10 bar



1. TECHNICAL SPECIFICATIONS

1.1 FILTER HOUSING

Construction

The filter housings are designed in accordance with international regulations. They consist of a filter cover plate and an element location spigot. The element is top-removable.

Standard equipment:

- with bypass valve
- magnetic core built into cover plate

1.2 FILTER ELEMENTS

HYDAC filter elements are validated and their quality is constantly monitored according to the following standards:

- ISO 2941
- ISO 2942
- ISO 2943
- ISO 3724
- ISO 3968
- ISO 11170
- ISO 16889

Contamination retention capacities in g

RKMR-KIT	Glass fibre (ULP)		
	5 µm	10 µm	25 µm
600	85	153	170
800	115	207	230

RKMR-KIT	Glass fibre with pre-filter (UHC)		
	5 µm	10 µm	20 µm
600	272	408	459
800	368	552	621

Filter elements are available with the following pressure stability values:
Glass fibre (ULP): 6 bar
Glass fibre with pre-filter (UHC): 6 bar

1.3 FILTER SPECIFICATIONS

Nominal pressure	up to 10 bar
Temperature range	-30 °C to +120 °C
Material of housing tube	Steel
Material of cover plate	EN-GJS-500
Bypass cracking pressure	3 bar (others on request)

1.4 SEALS

NBR (= Perbunan)

1.5 INSTALLATION

In-tank filter

1.6 SPECIAL MODELS AND ACCESSORIES

- without magnetic core
- air bleed valve in cover plate
- protective strainer for bypass and anti-cavitation valve

1.7 SPARE PARTS

See Original Spare Parts List

1.8 CERTIFICATES AND APPROVALS

Test certificate 2.2
Other approvals on request

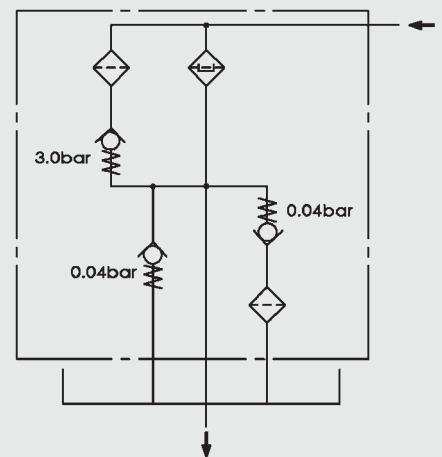
1.9 COMPATIBILITY WITH HYDRAULIC FLUIDS ISO 2943

- Hydraulic oils H to HLPD DIN 51524
- Lubrication oils DIN 51517, API, ACEA, DIN 51515, ISO 6743
- Compressor oils DIN 51506
- Biodegradable operating fluids VDMA 24568 HETG, HEES, HEPG
- Fire-resistant fluids HFA, HFB, HFC and HFD
- Operating fluids with high water content (>50% water content) on request

1.10 IMPORTANT INFORMATION

- Filter housings must be earthed.
- When using electrical clogging indicators, the electrical power supply to the system must be switched off before removing the clogging indicator connector.

Symbol for hydraulic systems



2. MODEL CODE (also order example)

RKMR ULP 800 KIT 10 W 1 . X /-V

2.1 COMPLETE FILTER

Filter type _____

RKMR

Filter material of element _____

ULP Glass fibre

UHC Glass fibre with pre-filter

Size of filter or element _____

RKMR: 600, 800

In-tank version _____

KIT filter cover plate and element spigot only

Filtration rating in μm _____

ULP : 5, 10, 25

UHC : 5, 10, 20

Type of clogging indicator _____

W without port, no clogging indicator

Type code _____

1

Modification number _____

X the latest version is always supplied

Supplementary details _____

no details = standard bypass cracking pressure B3 = 3 bar

B. special bypass cracking pressure

V FPM seals

OM without magnetic core

NRF protective strainer for anti-cavitation valve

BRF protective strainer for bypass valve

2.2 REPLACEMENT ELEMENT

0800 R 010 ULP /-V

Size _____

0600, 0800

Type _____

R

Filtration rating in μm _____

ULP : 005, 010, 025

UHC : 005, 010, 020

Filter material _____

ULP, UHC

Supplementary details _____

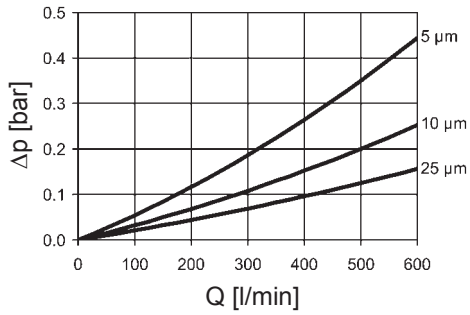
V (for descriptions, see point 2.1)

3. FILTER CALCULATION / SIZING

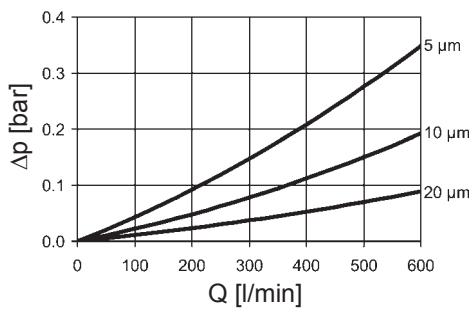
3.1 GRAPHS FOR COMPLETE FILTER

The curves for complete filters apply to mineral oil with a density of 0.86 kg/dm^3 and a kinematic viscosity of $30 \text{ mm}^2/\text{s}$.

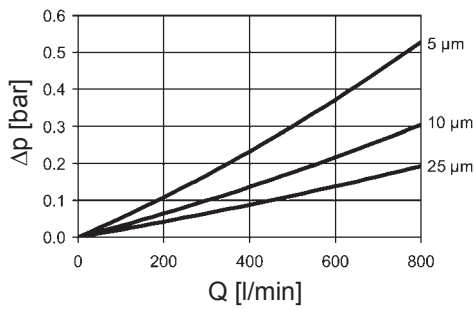
RKMR 600 KIT: ULP



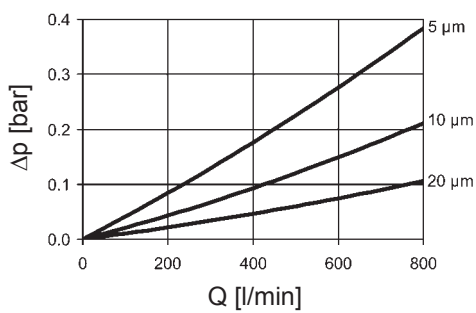
RKMR 600 KIT: UHC



RKMR 800 KIT: ULP

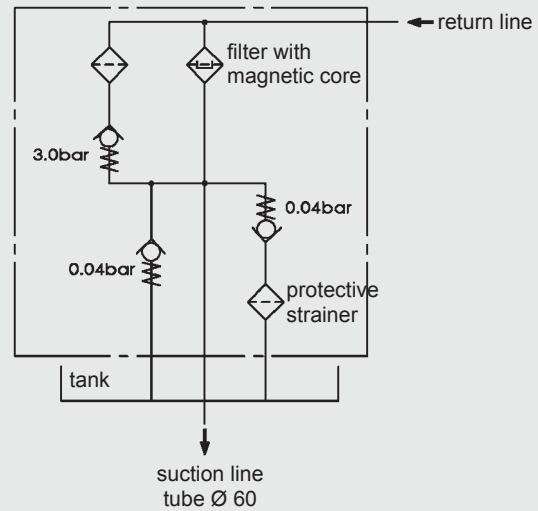
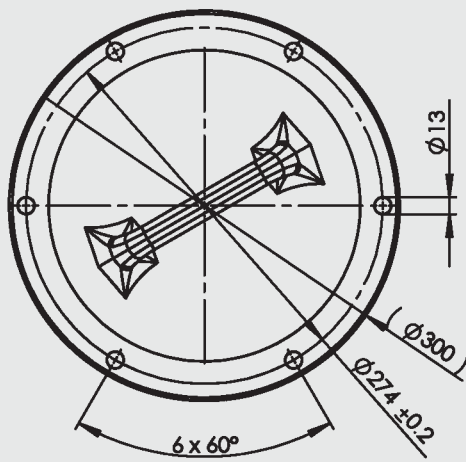
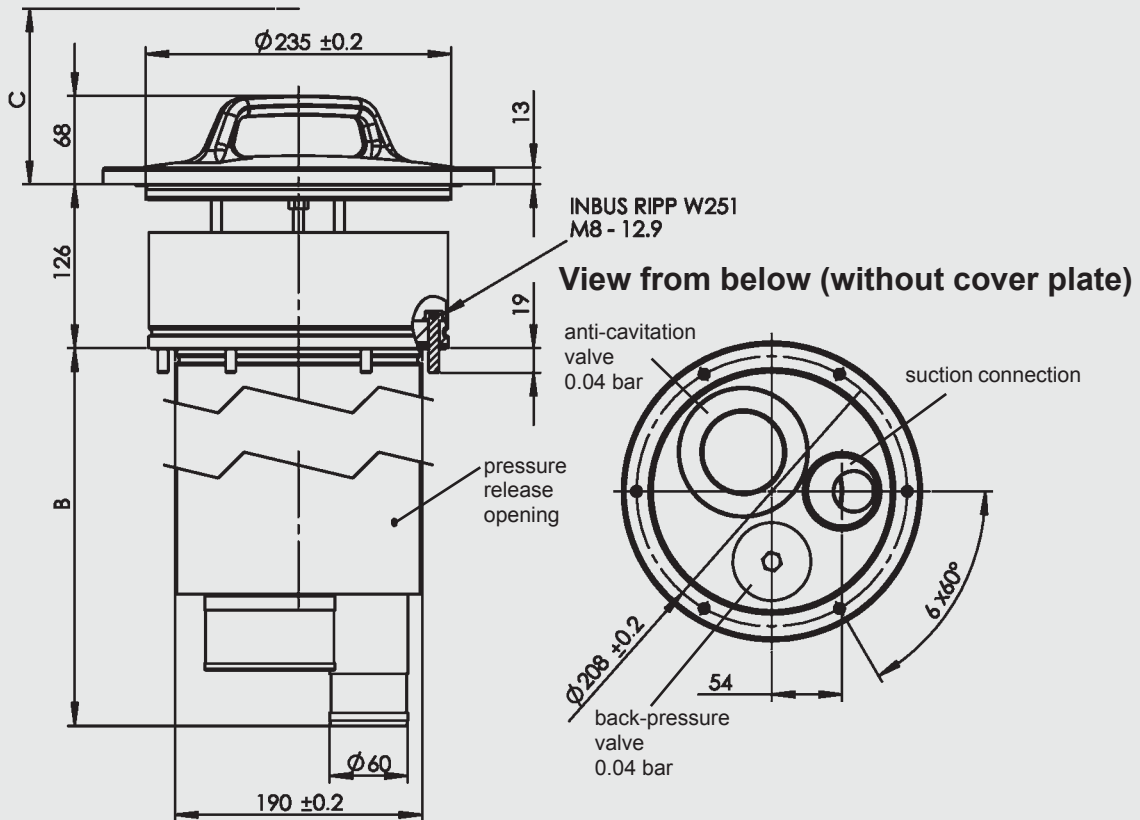


RKMR 800 KIT: UHC



4. DIMENSIONS

RKMR 600 - 800 KIT



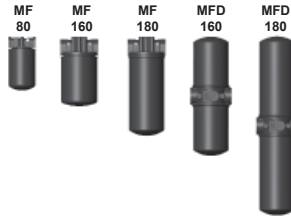
RKMR KIT	B	C min.	Weight incl. element [kg]
600	695	570	29.4
800	807	685	32.4

NOTE

The information in this brochure relates to the operating conditions and applications described.
For applications or operating conditions not described, please contact the relevant technical department.
Subject to technical modifications.

HYDAC FILTERTECHNIK GMBH
Industriegebiet
D-66280 Sulzbach/Saar, Germany
Tel.: 0 68 97 / 509-01
Fax: 0 68 97 / 509-300
Internet: www.hydac.com
E-mail: filter@hydac.com

Spin-On Filter MF/MFD up to 300 l/min, up to 8 bar



1. TECHNICAL SPECIFICATIONS

1.1 FILTER HOUSING

Construction

The filter consists of a filter head with built-in bypass valve and a screw-on filter cartridge.

Standard equipment:

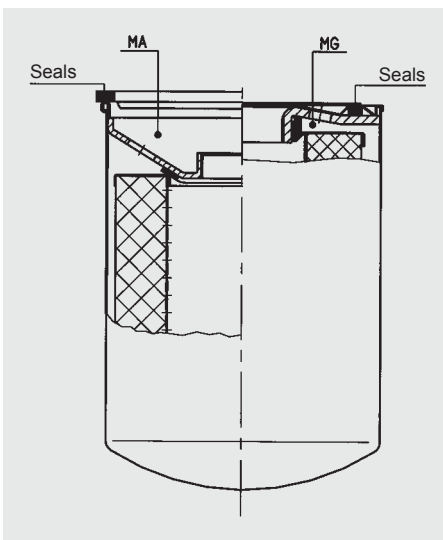
- with bypass valve

1.2 FILTER CARTRIDGES

MG: Cartridge connection thread, to ISO 228

Sealing on inside
(Note: the seal on the 0080 MA cartridge is also on the inside!)

MA: Cartridge connection, UN thread sealing on the outside



1.3 FILTER SPECIFICATIONS

Nominal pressure	8 bar
Temperature range	-30 °C to +100 °C
Pressure setting of clogging indicator: Δp_a	Type E: 0 to 16 bar Type F: 1.5 or 2 bar Type UE: 0 to -1.0 bar Type UF: -0.2 bar
Type of clogging indicator	VMF (return line indication)
Material of filter head	Aluminium
Material of filter cartridge	Sheet steel
Cracking pressure of bypass valve	1.7 bar (standard for size 80) 2 bar (standard for size 160/180)

1.4 SEALS

NBR (= Perbunan)

1.5 INSTALLATION

As inline filter

1.6 SPECIAL MODELS AND ACCESSORIES

Without bypass or with other bypass cracking pressures

1.7 SPARE PARTS

See Original Spare Parts List

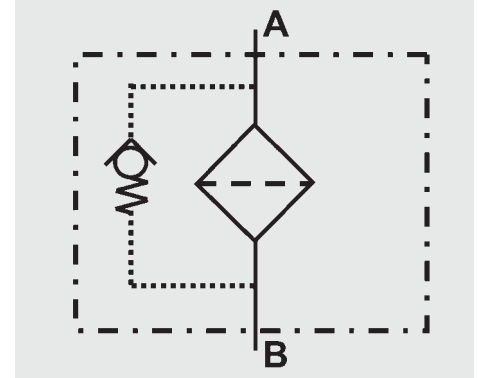
1.8 CERTIFICATES AND APPROVALS

On request

1.9 COMPATIBILITY WITH HYDRAULIC FLUIDS ISO 2943

- Hydraulic oils to DIN 51524
- Lubrication oils DIN 51517, API, ACEA, DIN 51515, ISO 6743
- Compressor oils DIN 51506
- Biodegradable operating fluids VDMA 24568 HETG, HEES, HEPG
- Fire-resistant fluids HFA, HFB, HFC and HFD
- Operating fluids with high water content (>50% water content) on request

Symbol for hydraulic systems



2. MODEL CODE (also order example)

MF BN 160 A U E 10 F 1 .X /-KB

2.1 COMPLETE FILTER

Filter type

- MF (all sizes; 1 filter cartridge)
MFD (sizes 160 and 180; 2 filter cartridges)

Filter material

- BN Betamicon®
P Paper (only MF 80 and MF/MFD 160)

Size of filter or cartridge

- MF: 80, 160, 180
MFD: 160, 180

Operating pressure

- A 8 bar

Type of cartridge connection

- G thread to ISO 228 (G 3/4 on size 80; G 1 1/4 on size 160/180)
U UN thread (1-12 UNF, 1 1/2 x 16 UN-2B)

Type and size of port

Type	Connection	Filter size		
		80	160	180
C	G 3/4	MF	–	–
E	G1 1/4	–	MF	MF
F	G1 1/2	–	MFD	MFD

Filtration rating in µm

- BN 3, 5, 10, 20
P 10

Type of clogging indicator

- | | | | |
|----|---------------------------------------|-----------------------|--|
| A | steel blanking plug in indicator port | } pressure indicators | } for other clogging indicators
see brochure no. 7.050../.. |
| E | pressure gauge | | |
| F | pressure switch | | |
| UE | vacuum gauge | } vacuum indicators | |
| UF | vacuum switch | | |

Type code

- 0
1 - 8 see Point 2.4

Modification number

- X the latest version is always supplied

Supplementary details

- B. cracking pressure of bypass (e.g. B0.2 = 0.2 bar; B0.25 = 0.25 bar)
KB without bypass valve (only for size 160/180)

2.2 REPLACEMENT CARTRIDGE

0160 MA 010 BN

Size

- 0080, 0160, 0180

Type

- MG for filters with cartridge connection G (= thread to ISO 228);
paper filter material only (exception: MF 80: 20 BN)
MA for filters with cartridge connection U (= UN thread)

Filtration rating in µm

- BN 003, 005, 010, 020 (for MF 80: MA = only 10 µm; MG = 20 µm)
P 010

Filter material

- BN, P

2.3 REPLACEMENT CLOGGING INDICATOR

VMF 2 F . X

Type of indicator

- VMF return line pressure indicator

Pressure setting

- | | | |
|-----|---------------------------------|-------------------|
| 2 | 2 bar standard for size 160/180 | } (see Point 1.3) |
| 1.5 | 1.5 bar standard for size 80 | |

Type of clogging indicator

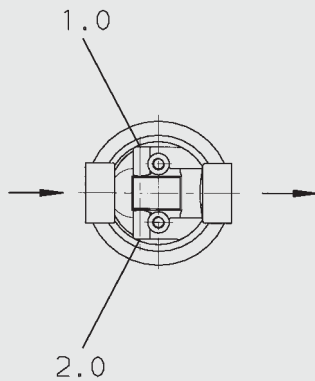
- F (see Point 2.1)

Modification number

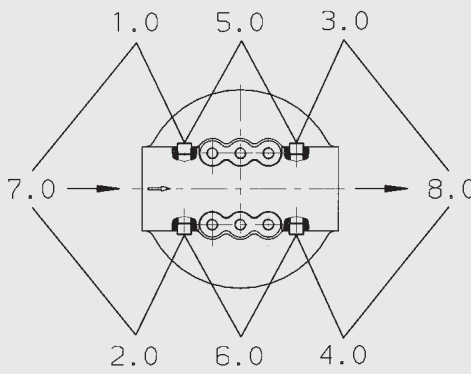
- X the latest version is always supplied

2.4 MOUNTING POSITION OF THE CLOGGING INDICATOR

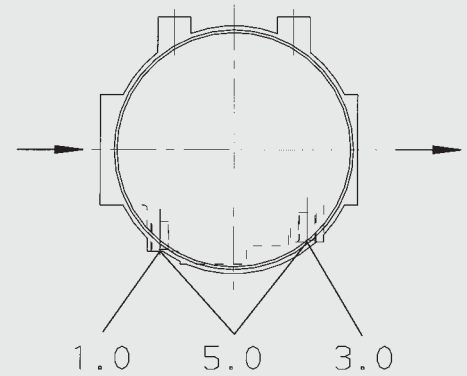
MF 80



MF 160/180



MFD 160/180



For MF-Filter

Type code	Mounting position of clogging indicator	Application of complete filter	Type of indicator	Specials
0.X	Without clogging indicator, blanking plug in all indicator ports			–
1.X	Filter inlet: on left	Return line filter	Pressure indicator	–
2.X	Filter inlet: on right	Return line filter	Pressure indicator	–
3.X	Filter outlet: on left	Suction filter	Vacuum indicator	Only for sizes 160 and 180, on versions: - with bypass cracking pressure 0.2 bar (.../-B0.2) - without bypass valve (.../-KB)
4.X	Filter outlet: on right	Suction filter	Vacuum indicator	Only for sizes 160 and 180, on versions: - with bypass cracking pressure 0.2 bar (.../-B0.2) - without bypass valve (.../-KB)
5.X	Filter inlet & outlet: on left	Pressure filter	Pressure and vacuum indicator	–
6.X	Filter inlet & outlet: on right	Pressure filter	Pressure and vacuum indicator	–
7.X	Filter inlet: on right and left	Return line filter	Pressure indicator	–
8.X	Filter outlet: on right and left	Suction filter	Vacuum indicator	Only for sizes 160 und 180, on versions: - with bypass cracking pressure 0.2 bar (.../-B0.2) - without bypass valve (.../-KB)

For MFD filters

Type code	Mounting position of clogging indicator	Application of complete filter	Type of indicator	Specials
0.X	Without clogging indicator, blanking plug in all indicator ports			–
1.X	Filter inlet: on right	Return line filter	Pressure indicator	–
3.X	Filter outlet: on right	Suction filter	Vacuum indicator	Only on versions: - with bypass cracking pressure 0.2 bar (.../-B0.2) - without bypass valve (.../-KB)
5.X	Filter inlet & outlet: on right	Pressure filter	Pressure and vacuum indicator	–

2.5 CARTRIDGE SELECTION TABLE

Filter type MF

Size 80	Cartridge
MF P 80 AGC 10 ...	0080 MG 010 P
MF BN 80 AUC 10 ...	0080 MA 010 BN
MF BN 80 AGC 20 ...	0080 MG 020 BN

Size 160	Cartridge
MF P 160 AGE 10...	0160 MG 010 P
MF BN 160 AUE 3...	0160 MA 003 BN
MF BN 160 AUE 5...	0160 MA 005 BN
MF BN 160 AUE 10...	0160 MA 010 BN
MF BN 160 AUE 20...	0160 MA 020 BN

Size 180	Cartridge
MF BN 180 AUE 3...	0180 MA 003 BN
MF BN 180 AUE 5...	0180 MA 005 BN
MF BN 180 AUE 10...	0180 MA 010 BN
MF BN 180 AUE 20...	0180 MA 020 BN

Filter type MFD

Size 80	Cartridge
–	not available
–	not available
–	not available

Size 160	Cartridge
MFD P 160 AGF 10...	0160 MG 010 P
MFD BN 160 AUF 3...	0160 MA 003 BN
MFD BN 160 AUF 5...	0160 MA 005 BN
MFD BN 160 AUF 10...	0160 MA 010 BN
MFD BN 160 AUF 20...	0160 MA 020 BN

Size 180	Cartridge
MFD BN 180 AUF 3...	0180 MA 003 BN
MFD BN 180 AUF 5...	0180 MA 005 BN
MFD BN 180 AUF 10...	0180 MA 010 BN
MFD BN 180 AUF 20...	0180 MA 020 BN

2.6 CHANGING THE CARTRIDGE

Filter cartridge type MG:

Unscrew filter cartridge (using a strap wrench, if necessary). Lubricate seal on the new cartridge. Screw in new cartridge until contact is made with the sealing surface. Then hand-tighten. Check for leakage and tighten further if necessary.

Filter cartridge type MA:

Unscrew filter cartridge (using a strap wrench, if necessary). Lubricate new seal and insert it into the filter head. Screw in new cartridge until contact is made with the sealing surface. Then hand-tighten. Check for leakage and tighten further if necessary.

3. FILTER CALCULATION / SIZING

The total pressure drop of a filter at a certain flow rate Q is the sum of the housing Δp and the element Δp and is calculated as follows:

$$\Delta p_{\text{total}} = \Delta p_{\text{housing}} + \Delta p_{\text{element}}$$

$$\Delta p_{\text{housing}} = (\text{see Point 3.1})$$

$$\Delta p_{\text{element}} = Q \cdot \frac{SK^*}{1000} \cdot \frac{\text{viscosity}}{30}$$

(*see point 3.2)

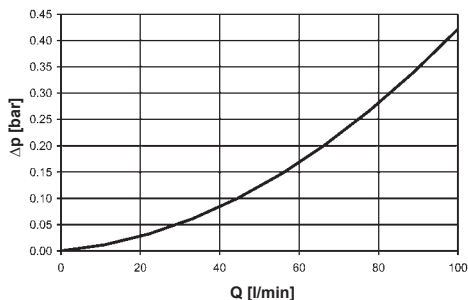
For ease of calculation, our Filter Sizing Program is available on request free of charge.

NEW: Sizing online at www.hydac.com

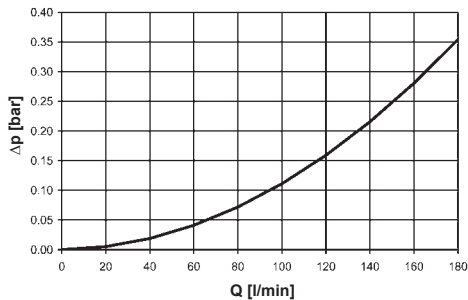
3.1 Δp -Q HOUSING CURVES BASED ON ISO 3968

The housing curves apply to mineral oil with a density of 0.86 kg/dm³ and a kinematic viscosity of 30 mm²/s. In this case, the differential pressure changes proportionally to the density.

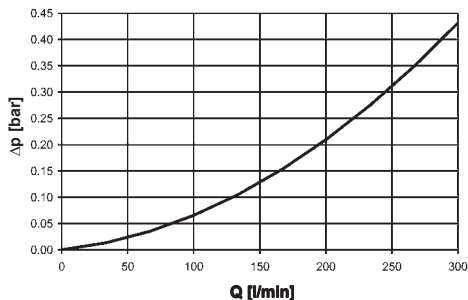
MF 80



MF 160, 180



MFD 160, 180



3.2 GRADIENT COEFFICIENTS (SK) FOR FILTER ELEMENTS

The gradient coefficients in mbar/(l/min) apply to mineral oils with a kinematic viscosity of 30 mm²/s. The pressure drop changes proportionally to the change in viscosity.

BN	Filtration rating			
	3 μm	5 μm	10 μm	20 μm
80	–	–	4.3	2.5
160	4.3	3.6	2.0	1.1
180	2.2	1.9	1.1	0.6

3.3 SIZING GUIDELINES

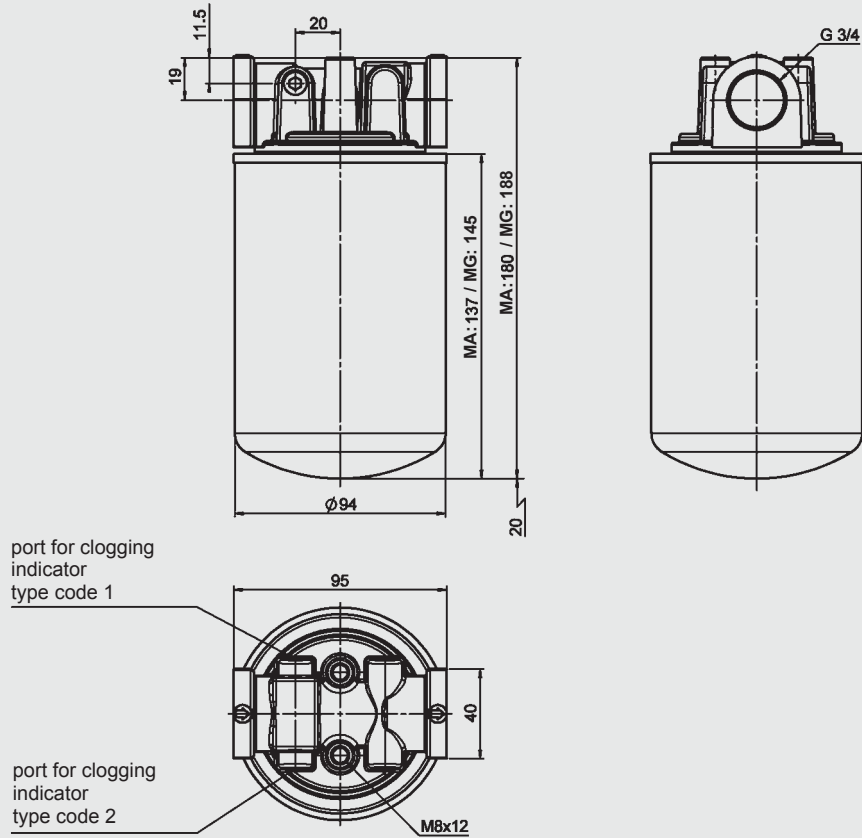
Filters should be calculated on the basis of a total differential pressure with clean element and at operating temperature; for use as:

- Suction filter: 0.03 - 0.05 bar
- Return line filter: 0.3 - 0.5 bar
- Pressure filter: 0.3 - 0.5 bar

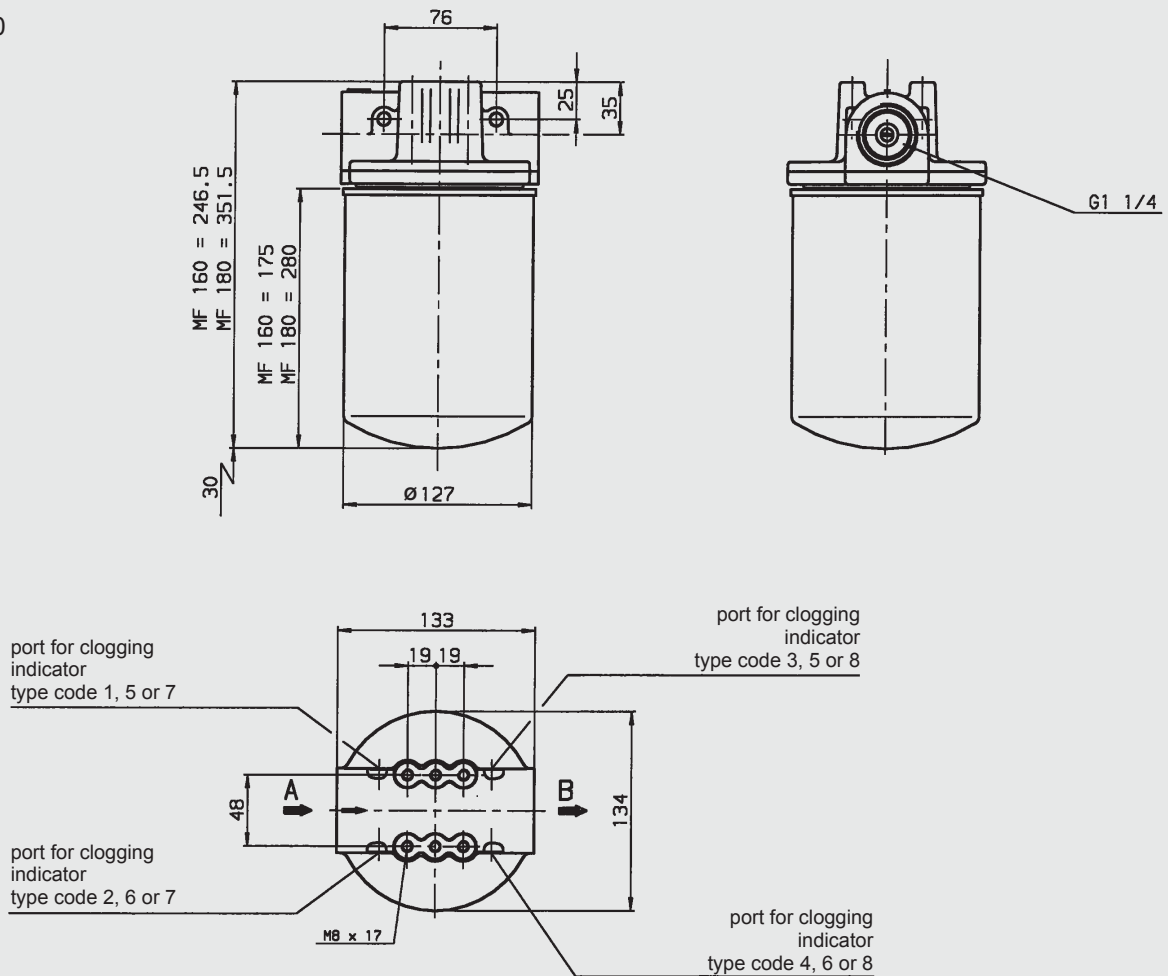
However, cold start conditions must be taken into account.

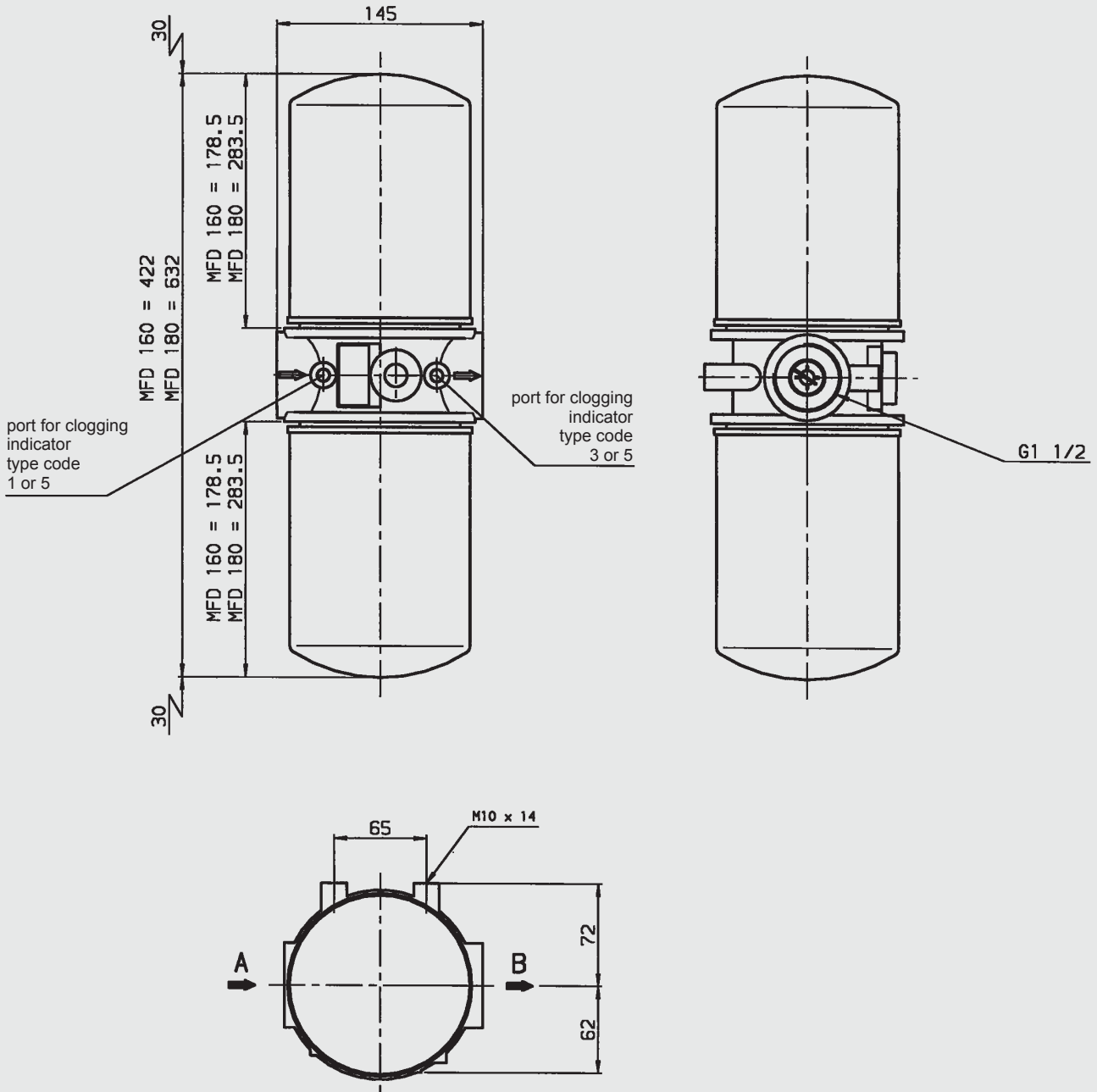
4. DIMENSIONS

MF 80



MF 160/180





Summary

Filter type	Port size Inlet / Outlet	Port size Cartridge	Weight incl. element [kg]	Vol. of pressure chamber [l]
MF 80	G $\frac{3}{4}$	G $\frac{3}{4}$, 1-12 UNF	0.9	1.00
MF 160	G1 $\frac{1}{4}$	G1 $\frac{1}{4}$, 1 $\frac{1}{2}$ x16 UN-2B	2.3	2.00
MF 180	G1 $\frac{1}{4}$	1 $\frac{1}{2}$ x16 UN-2B	2.8	3.30
MFD 160	G1 $\frac{1}{2}$	G1 $\frac{1}{4}$, 1 $\frac{1}{2}$ x16 UN-2B	3.7	4.00
MFD 180	G1 $\frac{1}{2}$	1 $\frac{1}{2}$ x16 UN-2B	4.5	6.60

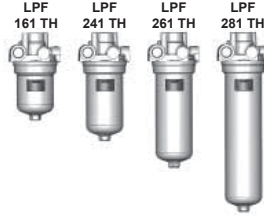
NOTE

The information in this brochure relates to the operating conditions and applications described. For applications or operating conditions not described, please contact the relevant technical department. Subject to technical modifications.

HYDAC FILTERTECHNIK GMBH
 Industriegebiet
D-66280 Sulzbach/Saar, Germany
 Tel.: 0 68 97 / 509-01
 Fax: 0 68 97 / 509-300
 Internet: www.hydac.com
 E-mail: filter@hydac.com



Inline Filter LPF With Integrated Thermal Bypass Valve up to 140 l/min, up to 50 bar



1. TECHNICAL SPECIFICATIONS

1.1 FILTER HOUSING

Construction

The filter housings are designed in accordance with international regulations. They consist of a filter head and a screw-in filter bowl.

Standard equipment:

- with integrated thermal bypass valve
- with bypass valve
- connection for a clogging indicator

1.2 FILTER ELEMENTS

HYDAC filter elements are validated and their quality is constantly monitored according to the following standards:

- ISO 2941, ISO 2942, ISO 2943, ISO 3724, ISO 3968, ISO 11170, ISO 16889

Contamination retention capacities in g

LPF/-TH	Betamicon® (BN4HC)			
	3 µm	5 µm	10 µm	20 µm
161	15.2	16.8	20.2	22.9
241	25.1	27.8	33.5	37.9
261	38.8	43.0	51.7	58.5
281	62.4	69.2	83.2	94.1

Filter elements are available with the following pressure stability values:

Betamicon® (BN4HC):	25 bar
Mobilemicon (MM):	10 bar

1.3 SEALS

Perbunan (= NBR)

1.4 INSTALLATION

As inline filter

1.5 SPECIAL MODELS AND ACCESSORIES

- Seals in FPM, EPDM
- No clogging indicator port

1.6 FILTER SPECIFICATIONS

Nominal pressure	50 bar
Fatigue strength	At nominal pressure 10 ⁶ cycles from 0 to nominal pressure
Temperature range	-10 °C to +100 °C
Material of filter head	Aluminium
Material of filter bowl	Aluminium
Type of clogging indicator	VM (differential pressure measurement up to 210 bar operating pressure)
Pressure setting of the clogging indicator	5 bar (others on request)
Bypass cracking pressure	3.4 bar

1.7 COMPATIBILITY WITH HYDRAULIC FLUIDS ISO 2943

- Hydraulic oils H to HLPD DIN 51524
- Lubrication oils DIN 51517, API, ACEA, DIN 51515, ISO 6743
- Compressor oils DIN 51506
- Biodegradable operating fluids VDMA 24568 HETG, HEES, HEPG
- Fire-resistant fluids HFC and HFD
- Operating fluids with high water content (>50% water content) on request

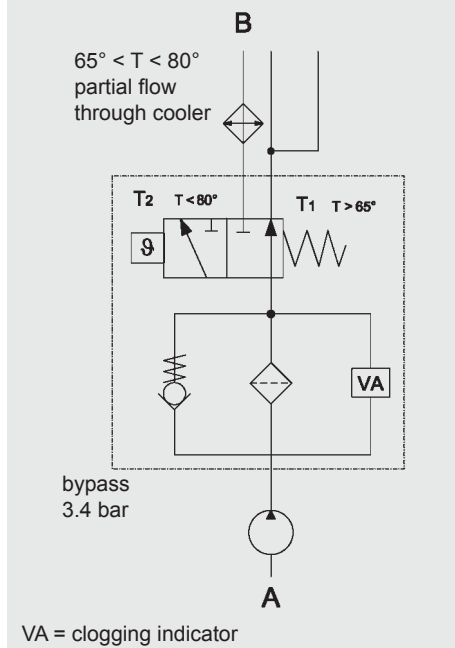
1.8 FILTER CALCULATION / SIZING

Curves on request!

The gradient coefficients in mbar/(l/min) apply to mineral oils with a kinematic viscosity of 30 mm²/s. The pressure drop changes proportionally to the change in viscosity.

	(BN4HC)			
	3 µm	5 µm	10 µm	20 µm
161	13.4	10.4	6.5	3.5
241	8.1	6.3	3.9	2.1
261	5.2	4.1	2.5	1.4
281	3.3	2.5	1.6	0.9

Symbol for hydraulic systems



2. MODEL CODE

2.1 COMPLETE FILTER

Type	Filter material	Size	Pressure range	Type of connection	Filtration rating [µm]	Type of clogging indicator*	Type code	Modification number	Supplementary details
LPF	BN/HC = Betamicon® Glass fibre MM = Mobilemicron (synthetic fibre)	161 241 261 281	G = 50 bar	I = 1/16-12 UN Z = customer specific (other connections on request)	BN/HC: 3,5,10,20 MM: 8, 10, 15	A = steel blanking plug in indicator port B = visual C = electrical D = visual/ electrical	1	.x = The latest version is always supplied	TH = with integrated thermal bypass It is essential to quote this code! V = FPM seal L.. = light with appropr. voltage (24, 48 110, 220 Volt)

* for other clogging indicators see brochure no. 7.050./../.

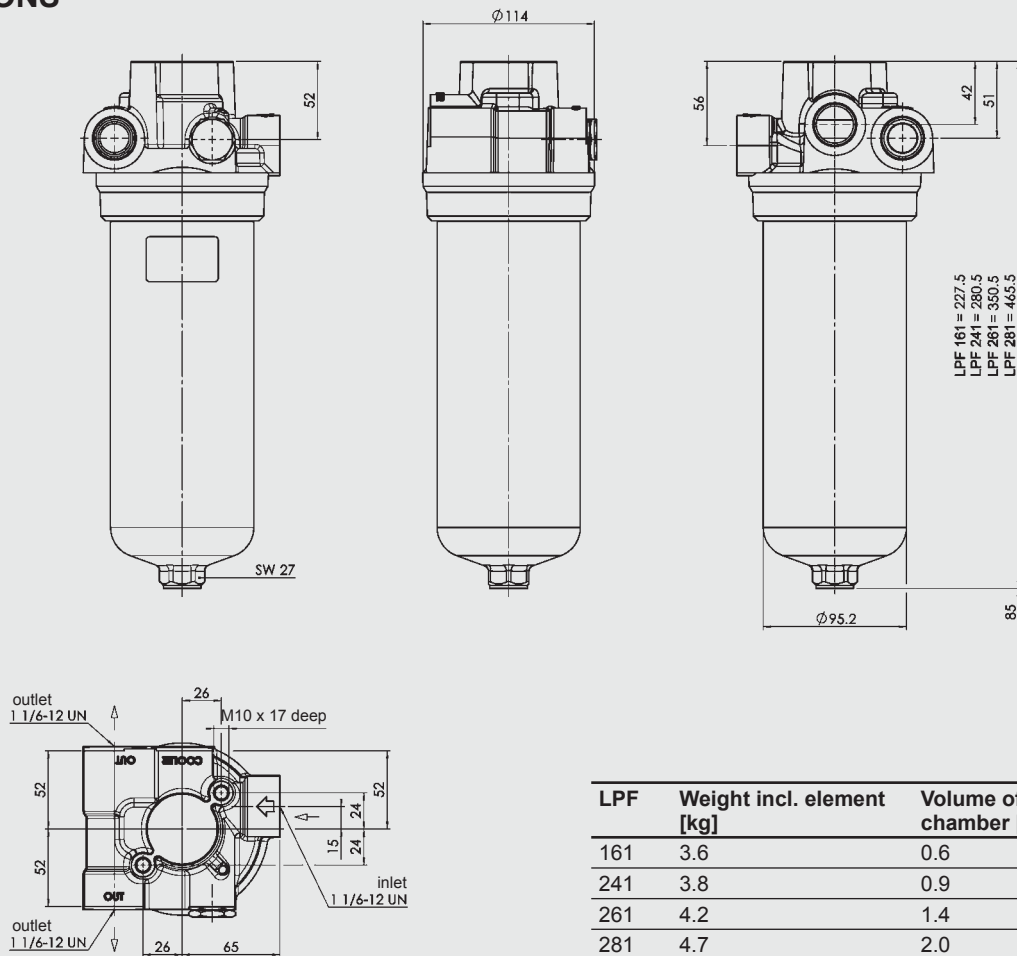
2.2 REPLACEMENT ELEMENT

Size	Type	Filtration rating [µm]	Filter material	Supplementary details
0161 0241 0261 0281	RD = Return line element for pressure filter	BN4HC: 3, 5, 10, 20 MM: 8, 10, 15	BN4HC MM	B3.4 = with bypass valve (cracking press. 3.4 bar) B6 = with bypass valve (cracking press. 6 bar) KB = without bypass valve

2.3 REPLACEMENT CLOGGING INDICATOR

Type	Pressure setting	Type of clogging indicator*	Modification number	Supplementary details
VM	5 = standard 5 bar	W = no port, no indicator B = visual C = electrical D = visual/ electrical	.x = The latest version is always supplied	-V = FPM seal

3. DIMENSIONS



LPF	Weight incl. element [kg]	Volume of pressure chamber [l]
161	3.6	0.6
241	3.8	0.9
261	4.2	1.4
281	4.7	2.0

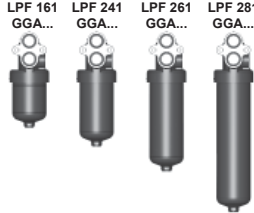
NOTE

The information in this brochure relates to the operating conditions and applications described.
For applications or operating conditions not described, please contact the relevant technical department.
Subject to technical modifications.

HYDAC FILTERTECHNIK GMBH
Industriegebiet
D-66280 Sulzbach/Saar
Tel.: 0 68 97 / 509-01
Fax: 0 68 97 / 509-300
Internet: www.hydac.com
E-Mail: filter@hydac.com



Inline Filter LPF Flange-Mounted, With Integrated Cooler Bypass Valve up to 260 l/min, up to 50 bar



1. TECHNICAL SPECIFICATIONS

1.1 FILTER HOUSING

Construction

The filter housings are designed in accordance with international regulations. They consist of a filter head and a screw-in filter bowl. The built-in check valve in the filter head supplies partial flow to the cooler.

Standard equipment:

- cooler bypass valve
- connection for a clogging indicator

1.2 FILTER ELEMENTS

HYDAC filter elements are validated and their quality is constantly monitored according to the following standards:

- ISO 2941, ISO 2942, ISO 2943, ISO 3724, ISO 3968, ISO 11170, ISO 16889

Contamination retention capacities in g

LPF GGA	Betamicon® (BN4HC)			
	3 µm	5 µm	10 µm	20 µm
161	15.2	16.8	20.2	22.9
241	25.1	27.8	33.5	37.9
261	38.8	43.0	51.7	58.5
281	62.4	69.2	83.2	94.1

Filter elements are available with the following pressure stability values:

Betamicon® (BN4HC):	20 bar
Mobilemicon (MM):	10 bar

1.3 SEALS

Perbunan (= NBR)

1.4 INSTALLATION

As inline filter

1.5 SPECIAL MODELS AND ACCESSORIES

- Seals in FPM, EPDM
- Without clogging indicator connection

1.6 FILTER SPECIFICATIONS

Nominal pressure	50 bar
Fatigue strength	At nominal pressure 10 ⁶ cycles from 0 to nominal pressure
Temperature range	-10 °C to +120 °C
Material of filter head	EN-GJS-400
Material of filter bowl	Aluminium
Type of clogging indicator	VM (differential pressure measurement up to 210 bar operating pressure)
Pressure setting of the clogging indicator	5 bar (others on request)
Bypass cracking pressure	3.4 bar

1.7 SPARE PARTS

See Original Spare Parts List

1.8 CERTIFICATES AND APPROVALS

On request

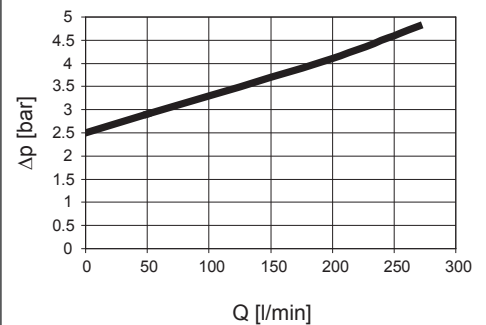
1.9 COMPATIBILITY WITH HYDRAULIC FLUIDS ISO 2943

- Hydraulic oils H to HLPD DIN 51524
- Lubrication oils DIN 51517, API, ACEA, DIN 51515, ISO 6743
- Compressor oils DIN 51506
- Biodegradable operating fluids VDMA 24568 HETG, HEES, HEPG
- Fire-resistant fluids HFC and HFD
- Operating fluids with high water content (>50% water content) on request

1.10 FILTER CALCULATION / SIZING

GRAPHS FOR COMPLETE FILTER

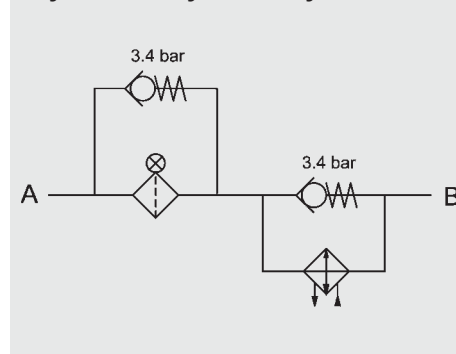
The total pressure drop graph applies to mineral oil with a density of 0.86 kg/dm³ and a kinematic viscosity of 30mm²/s.



The gradient coefficients in mbar/(l/min) apply to mineral oils with a kinematic viscosity of 30 mm²/s. The pressure drop changes proportionally to the change in viscosity.

	Betamicon® (BN4HC)			
	3 µm	5 µm	10 µm	20 µm
161	13.4	10.4	6.5	3.5
241	8.1	6.3	3.9	2.1
261	5.2	4.1	2.5	1.4
281	3.3	2.5	1.6	0.9

Symbol for hydraulic systems



2. MODEL CODE

2.1 COMPLETE FILTER

Type	Filter material	Size	Pressure range	Inlet / outlet to cooler	Type of connection	Filtration rating [µm]	Type of clogging indicator*	Type code	Modification number	Supplementary details
LPF	BN/HC = Betamicon® (glass fibre) MM = Mobilemicon (synthetic fibre)	161 241 261 281	G = 50 bar	G = M27x2	A = 2 mounting holes	BN/HC: 3, 5, 10, 20 MM: 8, 10, 15	W = no indic. port A = steel plug in indicator port B = visual C = electrical D = visual/ electrical	1	.x = The latest version is always supplied	V = FPM seal L.. = light with appropri. voltage (24, 48, 110, 220 Volt)

* for other clogging indicators see brochure no. 7.050../..

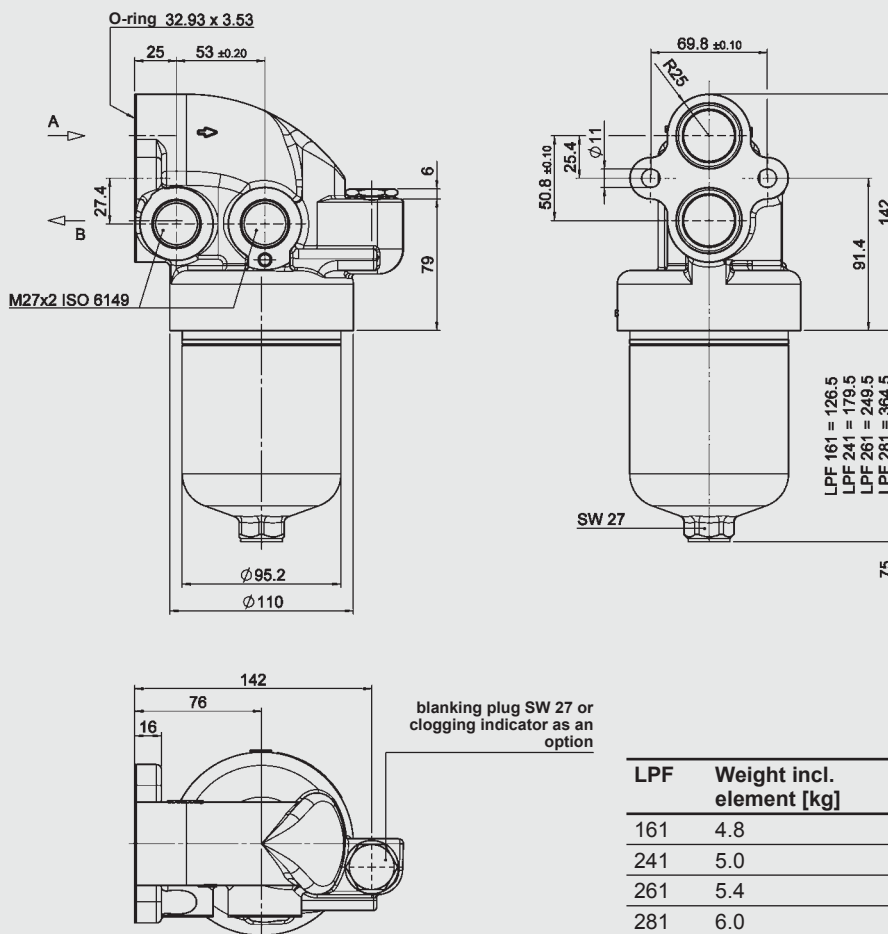
2.2 REPLACEMENT ELEMENT

Size	Type	Filtration rating [µm]	Filter material	Supplementary details
0161 0241 0261 0281	RD = Return line element for pressure filter	BN4HC = 003, 005, 010, 020 MM = 008, 010, 015	BN4HC = Betamicon® MM = Mobilemicon	B3.4 = with bypass valve (cracking press. 3.4 bar) B6 = with bypass valve (cracking press. 6 bar) KB = without bypass valve

2.3 REPLACEMENT CLOGGING INDICATOR

Type	Pressure setting	Type of clogging indicator*	Modification number	Supplementary details
VM	5 = standard 5 bar	W = no port, no indicator B = visual C = electrical D = visual/ electrical	.x = The latest version is always supplied	-V = FPM seal

3. DIMENSIONS



LPF	Weight incl. element [kg]	Vol. of pressure chamber [l]
161	4.8	0.6
241	5.0	0.9
261	5.4	1.4
281	6.0	2.0

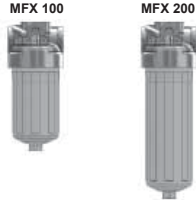
NOTE

The information in this brochure relates to the operating conditions and applications described.
For applications or operating conditions not described, please contact the relevant technical department.
Subject to technical modifications.

HYDAC FILTERTECHNIK GMBH
Industriegebiet
D-66280 Sulzbach/Saar
Tel.: 0 68 97 / 509-01
Fax: 0 68 97 / 509-300
Internet: www.hydac.com
E-Mail: filter@hydac.com



Inline Filter MFX up to 130 l/min, up to 50 bar



1. TECHNICAL SPECIFICATIONS

1.1 FILTER HOUSING

Construction

The filter housings are designed in accordance with international regulations. They consist of a filter head and a screw-in filter bowl.

Standard equipment:

- usually 4 possible positions for a clogging indicator
- with bypass valve

1.2 FILTER ELEMENTS

HYDAC filter elements are validated and their quality is constantly monitored according to the following standards:

- ISO 2941
- ISO 2942
- ISO 2943
- ISO 3724
- ISO 3968
- ISO 16889

Contamination retention capacities in g

MFX	Betamicon® (BN4HC)		
	5 µm	10 µm	20 µm
100	27.8	27.8	28.8
200	47.4	47.4	49.4

Filter elements are available with the following pressure stability values:

Betamicon® (BN4HC):	10 bar
ECONicon® (ECON2):	10 bar
Mobilemicron (MM):	10 bar

1.3 FILTER SPECIFICATIONS

Nominal pressure	50 bar
Fatigue strength (without BF clogging indicator)	At nominal pressure 10 ⁶ cycles from 0 to nominal pressure
Temperature range	-30 °C to +100 °C (-10 °C to +80 °C by BF clogging indicator)
Material of filter head	Aluminium
Material of filter bowl	Aluminium
Type of clogging indicator	VM (Diff. pressure indicator up to 210 bar operating pressure) VL (Diff. pressure indicator up to 50 bar operating pressure)
Setting pressure of the clogging indicator	Standard 2.5 bar, optional 1 bar (others on request)
Bypass cracking pressure	Standard 3.5 bar, optional 1.7 bar (others on request)

1.4 SEALS

NBR (= Perbunan)

1.5 INSTALLATION

As inline filter

1.6 SPECIAL MODELS AND ACCESSORIES

Seals in FPM, EPDM (on request)

1.7 SPARE PARTS

See Original Spare Parts List

1.8 CERTIFICATES AND APPROVALS

On request

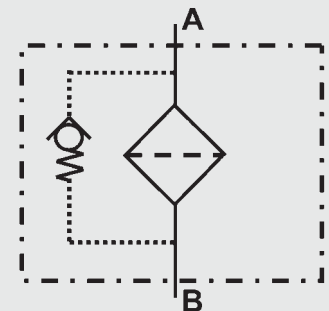
1.9 COMPATIBILITY WITH HYDRAULIC FLUIDS ISO 2943

- Hydraulic oils H to HLPD DIN 51524
- Lubrication oils DIN 51517, API, ACEA, DIN 51515, ISO 6743
- Compressor oils DIN 51506
- Biodegradable operating fluids VDMA 24568 HETG, HEES, HEPG
- Fire-resistant fluids HFC and HFD
- Operating fluids with high water content (>50% water content) on request

1.10 MAINTENANCE INSTRUCTIONS

- Filter housings must be earthed.
- When using electrical clogging indicators, the electrical power supply to the system must be switched off before removing the clogging indicator connector.

Symbol for hydraulic systems



2. MODEL CODE (also order example)

MFX BN/HC 100 G I 10 BF 4 . X /-B3.5

2.1 COMPLETE FILTER

Filter type _____

MFX

Filter material of element _____

BN/HC Betamicron® (BN4HC)

ECO/N ECOmicron® (ECON2)

MM Mobilemicron

Size of filter or element _____

MFX: 100, 200

Operating pressure _____

G = 50 bar

Type and size of connection _____

Type	Connection	Filter size	
		100	200
C	G ¾	●	●
D	G 1	●	●
E	M26 x 1.5	●	●
I	1 1/16-12 UN	●	●
K	1 5/16-12 UN	●	●
L	M33 x 2	●	●

Filtration rating in µm _____

BN/HC, ECO/N : 5, 10, 20

MM : 8, 10, 15

Type of clogging indicator _____

W without port (no clogging indicator)

A plastic blanking plug in indicator port

B visual

C electrical

D visual and electrical

BF visual, mobile (only on type codes 3.X and 4.X)

for other clogging indicators,
see brochure no. 7.050../..

Type code _____

1-4 see point 2.5 – Mounting position of the clogging indicator

Modification number _____

X the latest version is always supplied

Supplementary details _____

B3.5 standard: bypass cracking pressure 3.5 bar

B. special bypass cracking pressure (B1.7 = 1.7 bar)

L... light with appropriate voltage (24, 48, 110, 220 Volt)

LED 2 light emitting diodes up to 24 Volt

V FPM seals (on request)

W suitable for HFA and HFC emulsions

] A bypass is essential
and must be selected!

] only for clogging indicators
type "D"

2.2 Preferred models

MFX 100/200 G C BF 4.X/-B3.5

MFX 100/200 G C W 0.X/-B3.5

MFX 100/200 G C A 2.X/-B3.5

MFX 100/200 G D BF 4.X/-B3.5

MFX 100/200 G D W 0.X/-B3.5

MFX 100/200 G D A 2.X/-B3.5

2.3 REPLACEMENT ELEMENT

0100 MX 010 BN4HC /-B3.5

Size _____

0100, 0200

Type _____

MX

Filtration rating in µm _____

BN4HC, ECON2 : 005, 010, 020

MM : 008, 010, 015

Filter material _____

BN4HC, ECON2, MM

Supplementary details _____

V, W (for description, see point 2.1)

B3.5 standard: bypass opening pressure 3.5 bar

B. special bypass cracking pressure (B1.7 = 1.7 bar)

] A bypass valve is essential and must be
selected!

2.4 REPLACEMENT CLOGGING INDICATOR

VM 2.5 D . X /-L24

Type of indicator

VM Diff. pressure indicator up to 210 bar operating pressure

VL Diff. pressure indicator type "BF" up to 50 bar operating pressure and max. operating temperature of 80 °C

Pressure setting

2.5 standard 2.5 bar, others on request

Type of clogging indicator (see Point 2.1)

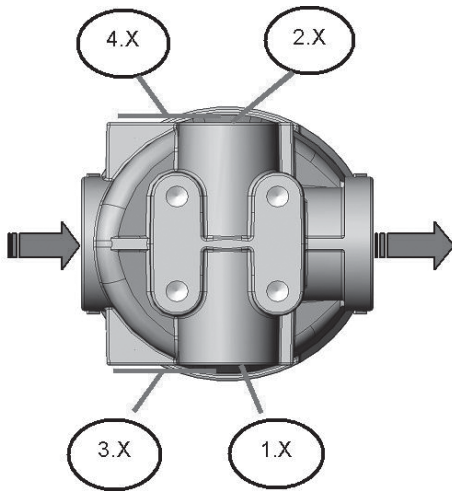
Modification number

X the latest version is always supplied

Supplementary details

L..., LED, V, W (for descriptions, see Point 2.1)

2.5 TYPE CODE: MOUNTING POSITION OF THE CLOGGING INDICATOR



Type code 3.X and 4.X only possible with indicator type "BF"!

3. FILTER CALCULATION / SIZING

The total pressure drop of a filter at a certain flow rate Q is the sum of the housing Δp and the element Δp and is calculated as follows:

$$\Delta p_{\text{total}} = \Delta p_{\text{housing}} + \Delta p_{\text{element}}$$

$$\Delta p_{\text{housing}} = \text{given in diagrams (see point 3.1)}$$

$$\Delta p_{\text{element}} = Q \cdot \frac{SK^*}{1000} \cdot \frac{\text{viscosity}}{30}$$

(*see point 3.2)

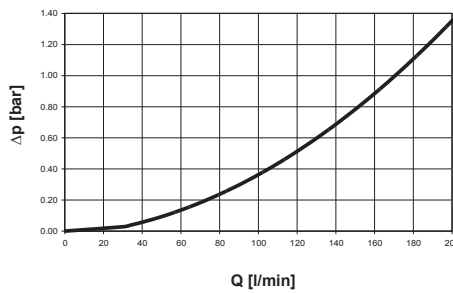
For ease of calculation, our Filter Sizing Program is available on request free of charge.

NEW: Sizing online at www.hydac.com

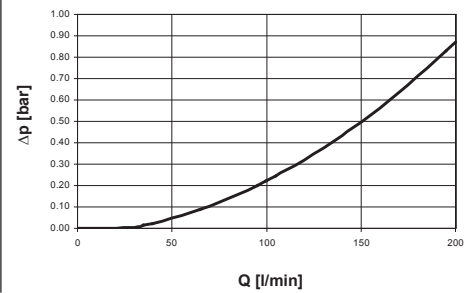
3.1 Δp -Q HOUSING CURVES BASED ON ISO 3968

The housing curves apply to mineral oil with a density of 0.86 kg/dm³ and a kinematic viscosity of 30 mm²/s. In this case, the differential pressure changes proportionally to the density.

MFX 100/200: G 3/4



MFX 100/200: G1



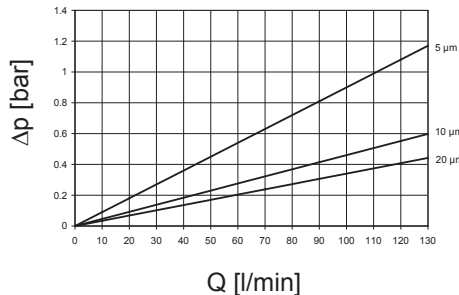
3.2 GRADIENT COEFFICIENTS (SK) FOR FILTER ELEMENTS

The gradient coefficients in mbar/(l/min) apply to mineral oils with a kinematic viscosity of 30 mm²/s. The pressure drop changes proportionally to the change in viscosity.

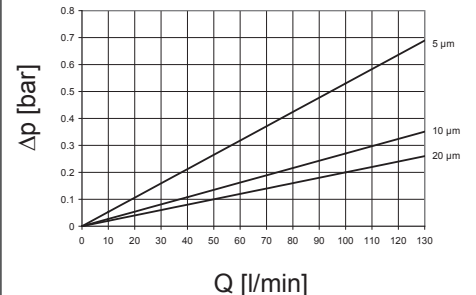
	ECON2			MM*	
	5 μm	10 μm	20 μm	10 μm	15 μm
100	10.00	6.50	4.80	2.70	2.20
200	5.90	3.80	2.80	1.60	1.30

* 8 μm values on request!

BN4HC: MFX 100

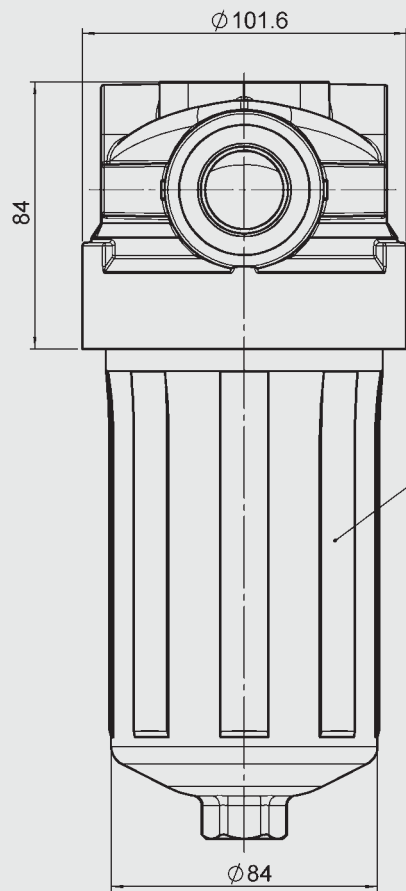
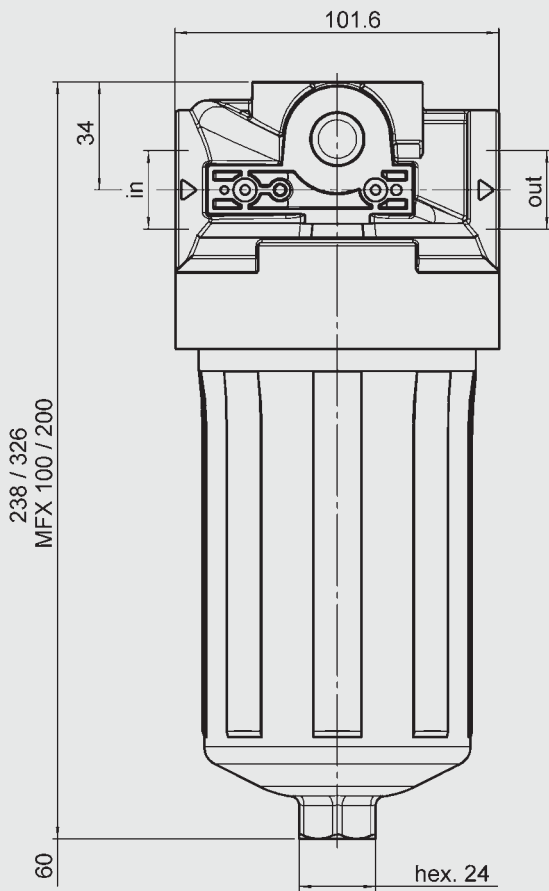


BN4HC: MFX 200

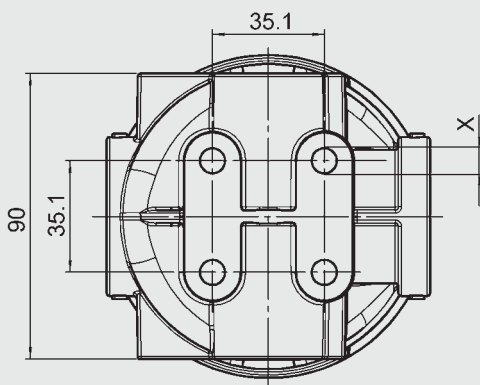


4. DIMENSIONS

MFX 100/200



Torque value for housing
M_A = 40 Nm



MFX 100/200...	Mounting x
...G C...	M10 – 13 [0.5] deep
...G D...	M10 – 13 [0.5] deep
...G E...	M10 – 13 [0.5] deep
...G I...	3/8 – 16 UNC, 13 [0.5] deep
...G K...	3/8 – 16 UNC, 13 [0.5] deep
...G L...	M 10 – 13 [0.5] deep

MFX	Weight incl. element [kg]	Volume of pressure chamber [l]
100	1.46	0.71
200	1.74	1.12

NOTE

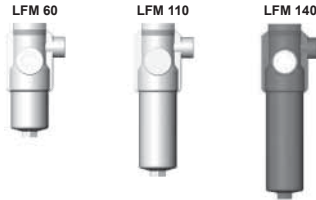
The information in this brochure relates to the operating conditions and applications described.
For applications or operating conditions not described, please contact the relevant technical department.
Subject to technical modifications.

HYDAC FILTERTECHNIK GMBH
Industriegebiet
D-66280 Sulzbach/Saar, Germany
Tel.: 0 68 97 / 509-01
Fax: 0 68 97 / 509-300
Internet: www.hydac.com
E-mail: filter@hydac.com



Inline Filter LFM with Differential Pressure Relief Valve

up to 120 l/min, up to 63 bar



1. TECHNICAL SPECIFICATIONS

1.1 FILTER HOUSING

Construction

The filter housings are designed in accordance with international regulations. They consist of a filter head and a screw-in filter bowl.

Standard equipment:

- with differential pressure controlled relief valve
- connection for a clogging indicator

1.2 FILTER ELEMENTS

HYDAC filter elements are validated and their quality is constantly monitored according to the following standards:

- ISO 2941
- ISO 2942
- ISO 2943
- ISO 3724
- ISO 3968
- ISO 11170
- ISO 16889

Contamination retention capacities in g

LFM	Betamicon® BN4HC			
	3 µm	5 µm	10 µm	20 µm
60	6.5	7.3	7.8	8.0
110	13.8	15.5	16.4	16.9
140	18.1	20.3	21.5	22.2

Filter elements are available with the following pressure stability values:
Betamicon® (BN4HC): 20 bar

1.3 FILTER SPECIFICATIONS

Nominal pressure	63 bar
Fatigue strength	At nominal pressure 10 ⁶ cycles from 0 to nominal pressure
Temperature range	-30 °C to +100 °C (LFM 140: -30 °C to -10 °C: p _{max} =31.5 bar)
Material of filter head	Aluminium
Material of filter bowl	Aluminium (steel for LFM 140)
Type of clogging indicator	VM (differential pressure measurement up to 210 bar operating pressure)
Pressure setting of the clogging indicator	2 bar (others on request)
Bypass cracking pressure	3.5 bar (others on request)

1.4 SEALS

NBR (= Perbunan)

1.5 INSTALLATION

As inline filter

1.6 SPECIAL MODELS AND ACCESSORIES

Pressure release / oil drain plug (SO184)

1.7 SPARE PARTS

See Original Spare Parts List

1.8 CERTIFICATES AND APPROVALS

On request

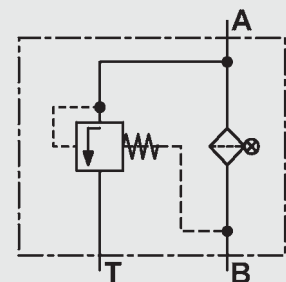
1.9 COMPATIBILITY WITH HYDRAULIC FLUIDS ISO 2943

- Hydraulic oils H to HLPD DIN 51524
- Lubrication oils DIN 51517, API, ACEA, DIN 51515, ISO 6743
- Compressor oils DIN 51506
- Biodegradable operating fluids VDMA 24568 HETG, HEES, HEPG
- Fire-resistant fluids HFA, HFB, HFC and HFD
- Operating fluids with high water content (>50% water content) on request

1.10 MAINTENANCE INSTRUCTIONS

- Filter housings must be earthed.
- When using electrical clogging indicators, the electrical power supply to the system must be switched off before removing the clogging indicator connector.

Symbol for hydraulic systems



2. MODEL CODE (also order example)

LFM BN/HC 110 F C 10 D 1 . X /-L24

2.1 COMPLETE FILTER

Filter type

LFM

Filter material of element

BN/HC Betamicon® (BN4HC)

Size of filter or element

LFM: 60, 110, 140

Operating pressure

F = 63 bar

Type and size of connection

Type	Port	Filter size		
		60	110	140
C	G 3/4	●	●	●

Filtration rating in µm

BN/HC: 3, 5, 10, 20

Type of clogging indicator

Y plastic blanking plug in indicator port

A steel blanking plug in indicator port

B visual

C electrical

D visual and electrical

for other clogging indicators,
see brochure no. 7.050../..

Type code

1

Modification number

X the latest version is always supplied

Supplementary details

DBV5.5 opening pressure of pressure relief valve 5.5 bar

L... light with appropriate voltage (24, 48, 110, 220 Volt)

LED 2 light-emitting diodes up to 24 Volt

SO184 pressure release/oil drain screw

V FPM seals

] only for clogging
indicators type "D"

2.2 REPLACEMENT ELEMENT

0110 D 010 BN4HC /-V

Size

0060, 0110, 0140

Type

D

Filtration rating in µm

BN4HC: 003, 005, 010, 020

Filter material

BN4HC

Supplementary details

V (for descriptions, see point 2.1)

2.3 REPLACEMENT CLOGGING INDICATOR

VM 2 D . X /-L24

Type

VM differential pressure indicator up to 210 bar oper. pressure

Pressure setting

2 standard 2 bar, others on request

Type of clogging indicator

D (see point 2.1)

Modification number

X the latest version is always supplied

Supplementary details

L..., LED, V (for descriptions, see point 2.1)

3. FILTER CALCULATION / SIZING

The total pressure drop of a filter at a certain flow rate Q is the sum of the housing Δp and the element Δp and is calculated as follows:

$$\Delta p_{\text{total}} = \Delta p_{\text{housing}} + \Delta p_{\text{element}}$$

$$\Delta p_{\text{housing}} = (\text{see Point 3.1})$$

$$\Delta p_{\text{element}} = Q \cdot \frac{SK^*}{1000} \cdot \frac{\text{viscosity}}{30}$$

(*see point 3.2)

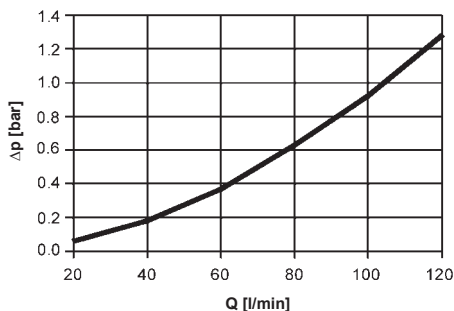
For ease of calculation, our Filter Sizing Program is available on request free of charge.

NEW: Sizing online at www.hydac.com

3.1 Δp -Q HOUSING CURVES BASED ON ISO 3968

The housing curves apply to mineral oil with a density of 0.86 kg/dm³ and a kinematic viscosity of 30 mm²/s. In this case, the differential pressure changes proportionally to the density.

LFM 60/110/140

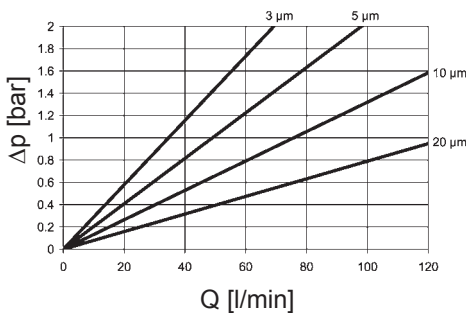


3.2 GRADIENT COEFFICIENTS (SK) FOR FILTER ELEMENTS

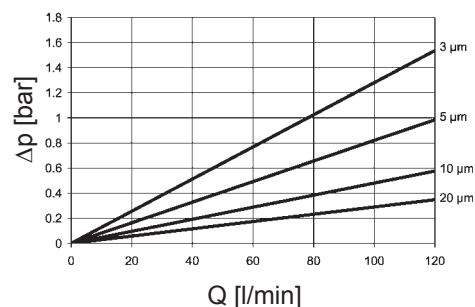
The gradient coefficients in mbar/(l/min) apply to mineral oils with a kinematic viscosity of 30 mm²/s. The pressure drop changes proportionally to the change in viscosity.

LFM	BN4HC			
	3 μm	5 μm	10 μm	20 μm
60	28.9	20.4	13.2	7.9
110	14.9	10.7	6.6	3.7
140	12.8	8.2	4.8	2.9

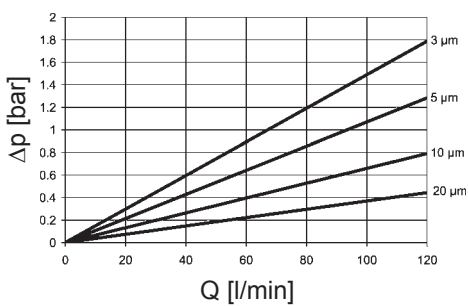
BN4HC: LFM 60



BN4HC: LFM 140



BN4HC: LFM 110

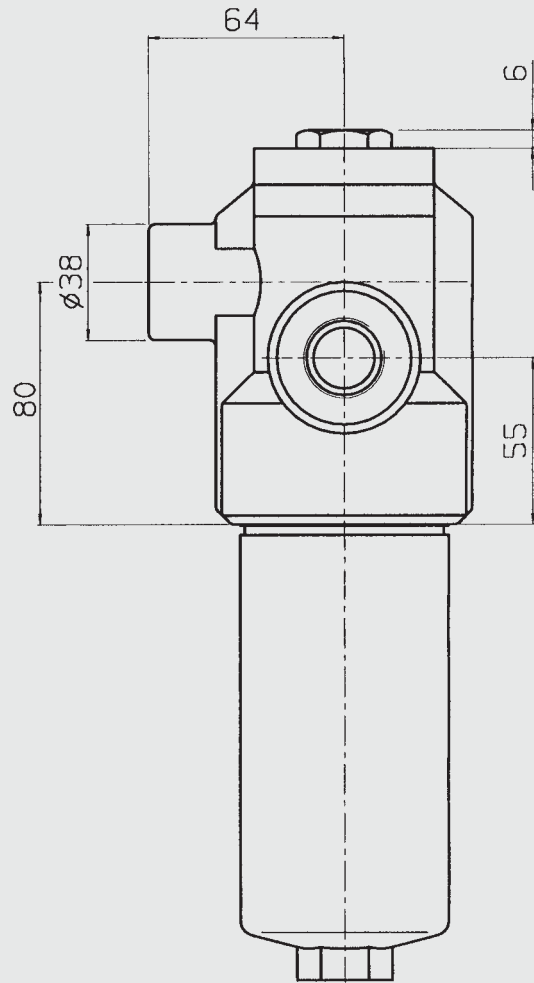
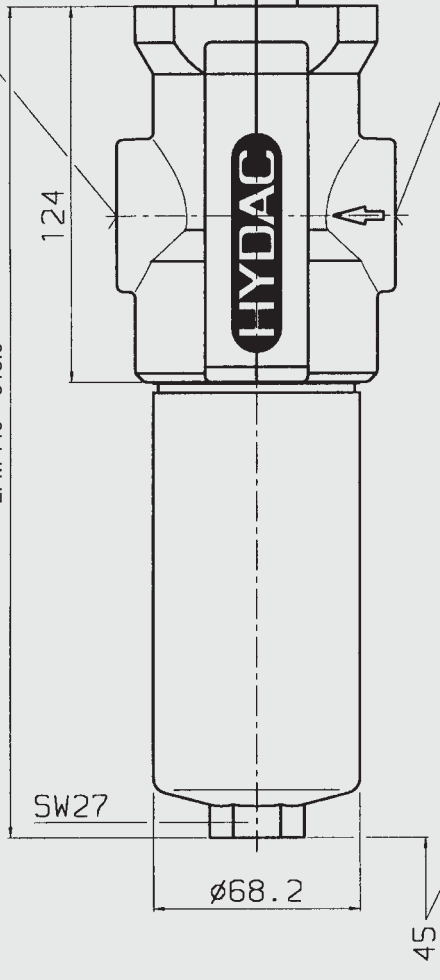


4. DIMENSIONS

outlet
G 3/4 x 16 deep

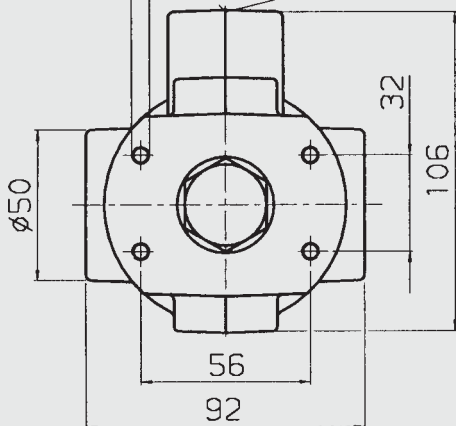
inlet
G 3/4 x 16 deep

LFM 60 = 206.5
LFM 110 = 274.5
LFM 140 = 318.0



M6 x 9 deep

tank connection
M18 x 1.5 x 12 deep



LFM	Weight incl. element [kg]	Vol. of pressure chamber [l]
60	1.9	0.20
110	2.3	0.33
140	4.5	0.40

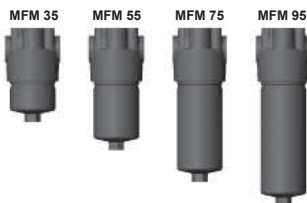
NOTE

The information in this brochure relates to the operating conditions and applications described.
For applications and operating conditions not described, please contact the relevant technical department.
Subject to technical modifications.

HYDAC FILTERTECHNIK GMBH
Industriegebiet
D-66280 Sulzbach/Saar, Germany
Tel.: 0 68 97 / 509-01
Fax: 0 68 97 / 509-300
Internet: www.hydac.com
E-mail: filter@hydac.com



Inline Filter MFM up to 100 l/min, up to 280 bar



1. TECHNICAL SPECIFICATIONS

1.1 FILTER HOUSING

Construction

The filter housings are designed in accordance with international regulations. They consist of a filter head and a screw-in filter bowl.

Standard equipment:

- bypass valve
- connection for a clogging indicator on the top of the head (4 mounting holes)
- filters are supplied phosphated and primed

1.2 FILTER ELEMENTS

HYDAC filter elements are validated and their quality is constantly monitored according to the following standards:

- ISO 2941
- ISO 2942
- ISO 2943
- ISO 3724
- ISO 3968
- ISO 11170
- ISO 16889

Contamination retention capacities in g

MFM	Betamicon® BN4HC			
	3 µm	5 µm	10 µm	20 µm
35	7.2	8.1	8.6	8.8
55	14	15.8	16.6	17.2
75	21.6	24.3	25.7	26.5
95	27.5	30.9	32.7	33.7

Filter elements are available with the following pressure stability values:
Betamicon® (BN4HC): 20 bar

1.3 FILTER SPECIFICATIONS

Nominal pressure	280 bar
Fatigue strength	0...280 bar, min. 10 ⁷ cycles 0...320 bar, min. 10 ⁵ cycles
Temperature range	-10 °C to +100 °C (-30 °C to -10 °C: p _{max} = 140 bar)
Material of filter head	EN-GJS-400-15
Material of filter bowl	Steel
Type of clogging indicator	VD (differential pressure measurement up to 420 bar operating pressure)
Pressure setting of the clogging indicator	5 bar (others on request)
Bypass cracking pressure	7 bar (others on request)

1.4 SEALS

NBR (= Perbunan)

1.5 INSTALLATION

As inline filter

1.6 SPECIAL MODELS AND ACCESSORIES

Connection for a clogging indicator on the side of the head (3 mounting holes)

1.7 SPARE PARTS

See Original Spare Parts List

1.8 CERTIFICATES AND APPROVALS

On request

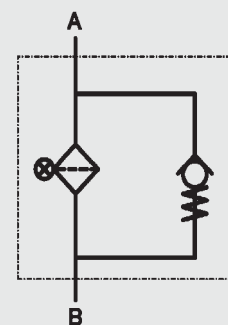
1.9 COMPATIBILITY WITH HYDRAULIC FLUIDS ISO 2943

- Hydraulic oils H to HLPD DIN 51524
- Lubrication oils DIN 51517, API, ACEA, DIN 51515, ISO 6743
- Compressor oils DIN 51506
- Biodegradable operating fluids VDMA 24568 HETG, HEES, HEPG
- Operating fluids with high water content (>50% water content) on request

1.10 MAINTENANCE INSTRUCTIONS

- Filter housings must be earthed.
- When using electrical clogging indicators, the electrical power supply to the system must be switched off before removing the clogging indicator connector.

Symbol for hydraulic systems



2. MODEL CODE (also order example)

MFM BN/HC 55 O D 10 D 4 . X /-L24-B7

2.1 COMPLETE FILTER

Filter type _____

MFM

Filter material _____

BN/HC Betamicron® (BN4HC)

Size of filter or element _____

MFM: 35, 55, 75, 95

Operating pressure _____

O = 280 bar

Type and size of connection _____

Type	Connection	Filter size			
		35	55	75	95
A	M18 x 1.5	●	●	●	●
B	G ½	●	●	●	●
E	M22 x 1.5	●	●	●	●
H	G ¾	●	●	●	●

Filtration rating in µm _____

BN/HC: 3, 5, 10, 20

Type of clogging indicator _____

W without port (no clogging indicator)

A plastic blanking plug in indicator port

B visual

C electrical

D visual and electrical

for other clogging indicators,
see brochure no. 7.050../..

Type code _____

3 clogging indicator port on side of head - 3 mounting holes

4 clogging indicator port on top of head - 4 mounting holes

Modification number _____

X the latest version is always supplied

Supplementary details _____

B7 standard: bypass cracking pressure 7 bar

L... light with appropriate voltage (24, 48, 110, 220 Volt)

LED 2 light-emitting diodes up to 24 Volt

V FPM seals

W suitable for HFA and HFC emulsions

WAL right-angled bracket for side mounting, inlet on left (only possible for type code 4.x)

WAR right-angled bracket for side mounting, inlet on right (only for type code 4.x)

] only for clogging
indicators type "D"

2.2 REPLACEMENT ELEMENT

0055 D 010 BN4HC /-V

Size _____

0035, 0055, 0075, 0095

Type _____

D

Filtration rating in µm _____

BN4HC: 003, 005, 010, 020

Filter material _____

BN4HC

Supplementary details _____

V (for descriptions, see point 2.1)

2.3 REPLACEMENT CLOGGING INDICATOR

VD 5 D . X /-L24

Type of indicator _____

VD differential pressure indicator up to 450 bar operating pressure

Pressure setting _____

5 standard 5 bar, others on request

Type of clogging indicator _____

D (see point 2.1)

Modification number _____

X The latest version is always supplied

Supplementary details _____

L..., LED, V, W (for descriptions, see point 2.1)

3. FILTER CALCULATION / SIZING

The total pressure drop of a filter at a certain flow rate Q is the sum of the housing Δp and the element Δp and is calculated as follows:

$$\Delta p_{\text{total}} = \Delta p_{\text{housing}} + \Delta p_{\text{element}}$$

$$\Delta p_{\text{housing}} = (\text{see Point 3.1})$$

$$\Delta p_{\text{element}} = Q \cdot \frac{SK^*}{1000} \cdot \frac{\text{viscosity}}{30}$$

(*see Point 3.2)

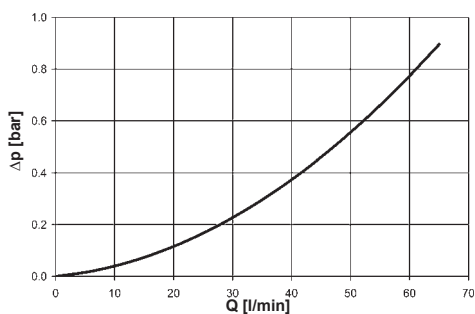
For ease of calculation, our Filter Sizing Program is available on request free of charge.

NEW: Sizing online at www.hydac.com

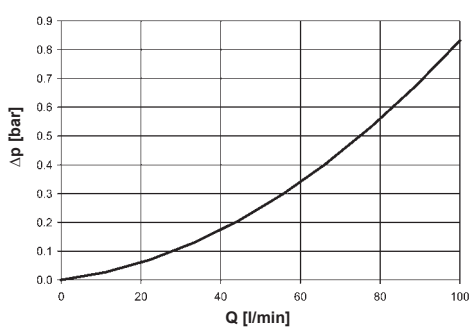
3.1 Δp -Q HOUSING CURVES BASED ON ISO 3968

The housing curves apply to mineral oil with a density of 0.86 kg/dm³ and a kinematic viscosity of 30 mm²/s. In this case, the differential pressure changes proportionally to the density.

MFM - Port M18 x 1.5 / G 1/2



MFM - Port M22 x 1.5 / G 3/4

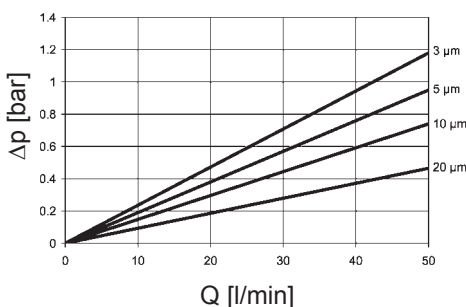


3.2 GRADIENT COEFFICIENTS (SK) FOR FILTER ELEMENTS

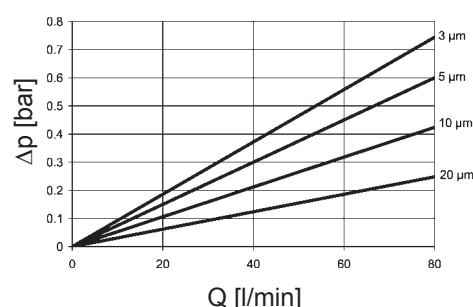
The gradient coefficients in mbar/(l/min) apply to mineral oils with a kinematic viscosity of 30 mm²/s. The pressure drop changes proportionally to the change in viscosity.

MFM	BN4HC			
	3 μm	5 μm	10 μm	20 μm
35	23.6	19.0	14.8	9.3
55	13.7	11.0	8.1	4.8
75	9.3	7.5	5.3	3.1
95	7.5	6.0	4.1	2.4

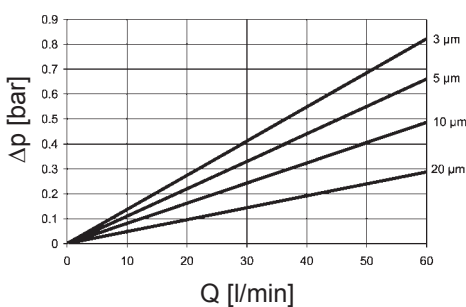
BN4HC: MFM 35



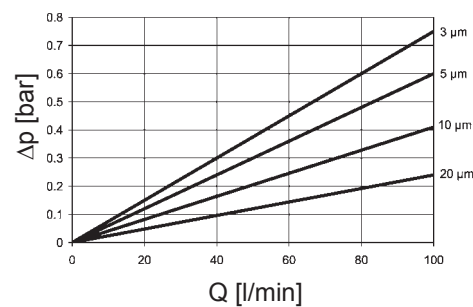
BN4HC: MFM 75



BN4HC: MFM 55

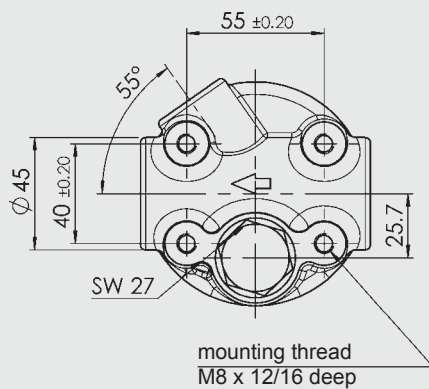
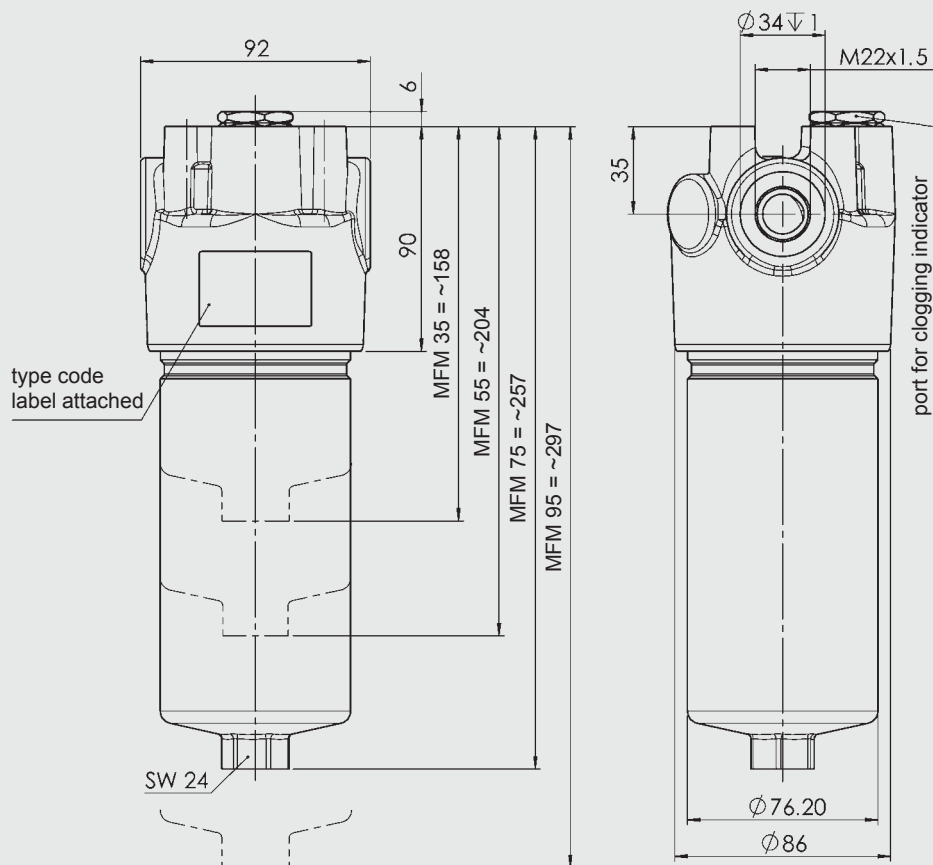


BN4HC: MFM 95

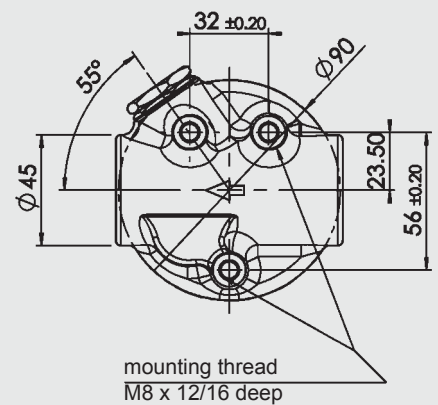
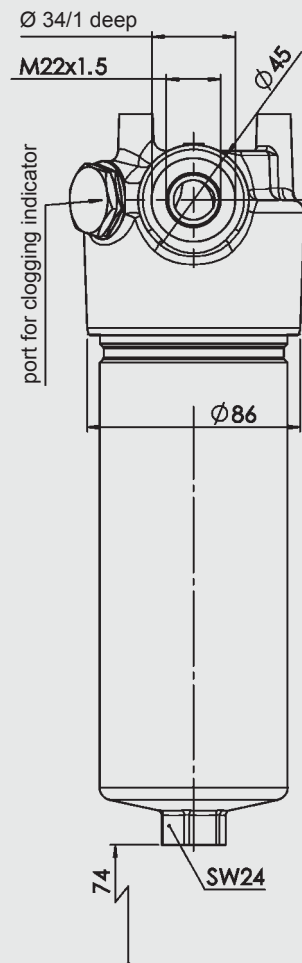


4. DIMENSIONS

STANDARD VERSION 4.X



SPECIAL VERSION 3.X



MFM	Weight incl. element [kg]	Vol. of pressure chamber [l]
35	3.7	0.24
55	4.2	0.39
75	4.7	0.56
95	5.1	0.69

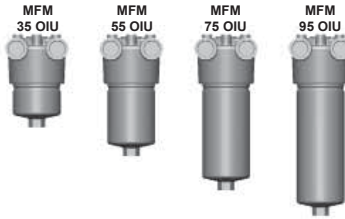
NOTE

The information in this brochure relates to the operating conditions and applications described.
For applications or operating conditions not described, please contact the relevant technical department.
Subject to technical modifications.

HYDAC FILTERTECHNIK GMBH
Industriegebiet
D-66280 Sulzbach/Saar, Germany
Tel.: 0 68 97 / 509-01
Fax: 0 68 97 / 509-300
Internet: www.hydac.com
E-mail: filter@hydac.com



Inline Filter MFM Inlet and Outlet on Same Side up to 100 l/min, up to 280 bar



1. TECHNICAL SPECIFICATIONS

1.1 FILTER HOUSING

Construction

The filter housings are designed in accordance with international regulations. They consist of a filter head and a screw-in filter bowl.

Standard equipment:

- with bypass valve
- without clogging indicator connection (3 mounting holes)
- filters are supplied phosphated and primed

1.2 FILTER ELEMENTS

HYDAC filter elements are validated and their quality is constantly monitored according to the following standards:

- ISO 2941, ISO 2942, ISO 2943, ISO 3724, ISO 3968, ISO 11170, ISO 16889

Contamination retention capacities in g

	Betamicron® (BN4HC)			
MFM	3 µm	5 µm	10 µm	20 µm
35	7.2	8.1	8.6	8.8
55	14.0	15.8	16.6	17.2
75	21.6	24.3	25.7	26.5
95	27.5	30.9	32.7	33.7

Filter elements are available with the following pressure stability values:

Betamicron® (BN4HC): 20 bar
Other filtration ratings on request.

1.3 SEALS

Perbunan (= NBR)

1.4 INSTALLATION

As inline filter

1.5 SPECIAL MODELS AND ACCESSORIES

Port for clogging indicator in head

1.6 FILTER SPECIFICATIONS

Nominal pressure	280 bar
Temperature range	-10 °C to +100 °C (-30 °C to -10 °C: p _{max} = 140 bar)
Material of filter head	EN-GJS 400-15
Material of filter bowl	Cold extruded steel
Type of clogging indicator	VD (differential pressure measurement up to 420 bar operating pressure)
Pressure setting of the clogging indicator	5 bar (others on request)
Bypass cracking pressure	7 bar (others on request)

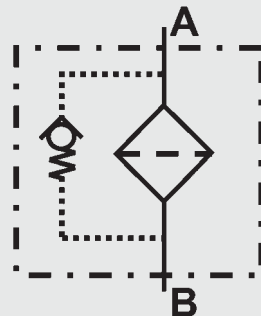
1.7 COMPATIBILITY WITH HYDRAULIC FLUIDS ISO 2943

- Hydraulic oils H to HLPD DIN 51524
- Lubrication oils DIN 51517, API, ACEA, DIN 51515, ISO 6743
- Compressor oils DIN 51506
- Biodegradable operating fluids VDMA 24568 HETG, HEES, HEPG
- Operating fluids with high water content (>50% water content) on request

1.8 MAINTENANCE INSTRUCTIONS

- Filter housings must be earthed.
- When using electrical clogging indicators, the electrical power supply to the system must be switched off before removing the clogging indicator connector.

Symbol for hydraulic systems



1.9 FILTER CALCULATION / SIZING

The total pressure drop of a filter at a certain flow rate Q is the sum of the housing Δp and the element Δp and is calculated as follows:

$$\Delta p_{\text{total}} = \Delta p_{\text{housing}} + \Delta p_{\text{element}}$$

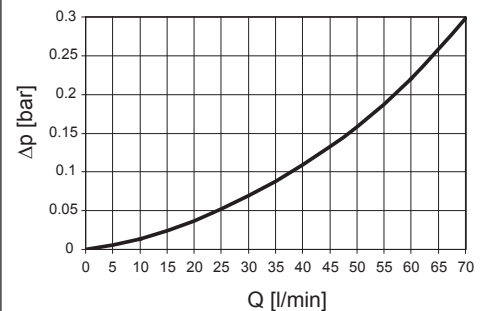
$$\Delta p_{\text{housing}} = \text{please refer to the housing curve}$$

$$\Delta p_{\text{element}} = Q \cdot SK^*/1000 \cdot \text{viscosity}/30$$

(*gradient coefficient)

HOUSING CURVE

The housing curves apply to mineral oil with a density of 0.86 kg/dm³ and a kinematic viscosity of 30mm²/s.



The gradient coefficients in mbar/(l/min) apply to mineral oils with a kinematic viscosity of 30 mm²/s. The pressure drop changes proportionally to the change in viscosity.

	(BN4HC)			
	3 µm	5 µm	10 µm	20 µm
35	23.6	19.0	14.8	9.3
55	13.7	11.0	8.1	4.8
75	9.3	7.5	5.3	3.1
95	7.5	6.0	4.1	2.4

2. MODEL CODE

2.1 COMPLETE FILTER

Type	Filter material	Size	Pressure range	Type of connection	Filtration rating [µm]	Type of clogging indicator*	Type code	Modification number	Supplementary details
MFM	BN/HC = Betamicon®	35 55 75 95	O = 280 bar	A = M18x1.5 B = G 1/2 D = M22x1.5 H = G 3/4 Z = customer-specific	3 5 10 20	W = without port, no clogging indicator A = steel plug in indicator port B = visual C = electrical D = visual/ electrical	3 = 3 mounting holes	.x = The latest version is always supplied	B7 = standard cracking pressure of bypass 7 bar OIU = standard: outlet and inlet on same side It is essential to include this information! V = FPM seal

* for other clogging indicators see brochure no. 7.050../..

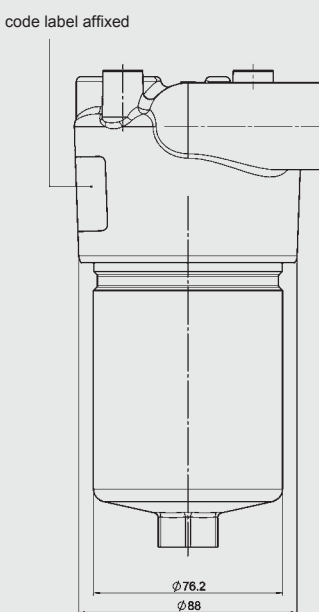
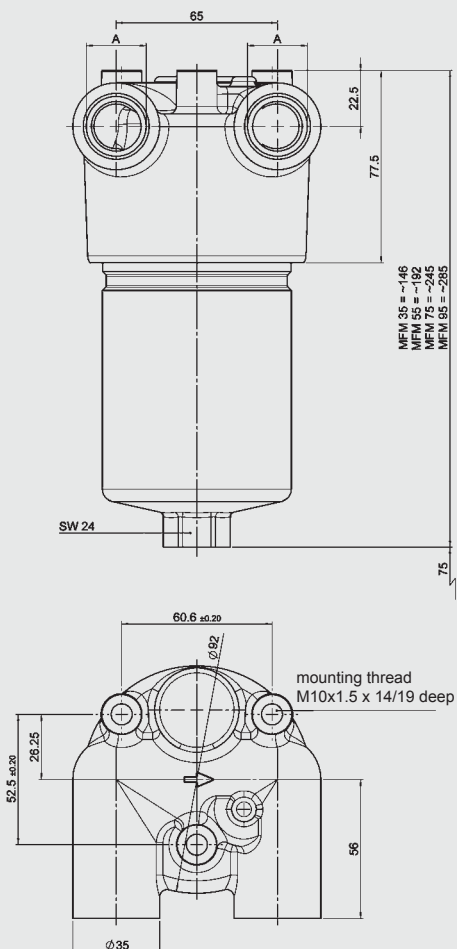
2.2 REPLACEMENT ELEMENT

Size	Type	Filtration rating [µm]	Filter material	Supplementary details
0035 0055 0075 0095	E	003 005 010 020	BN4HC = Betamicon®	V = FPM seal

2.3 REPLACEMENT CLOGGING INDICATOR

Type	Pressure setting	Type of clogging indicator*	Modification number	Supplementary details
VD	5 = standard 5 bar	A = steel plug in indicator port B = visual C = electrical D = visual/ electrical	.x = The latest version is always supplied	V = FPM seal

3. DIMENSIONS



MFM	A	Weight incl. element [kg]	Volume of pressure chamber [l]
35	M18 x 1.5 G 1/2	3.7	0.24
55		4.2	0.39
75	M22 x 1.5 G 3/4	4.7	0.56
95		5.1	0.69

NOTE

The information in this brochure relates to the operating conditions and applications described.
For applications or operating conditions not described, please contact the relevant technical department.
Subject to technical modifications.

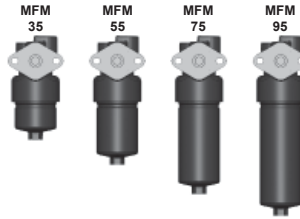
HYDAC FILTERTECHNIK GMBH
Industriegebiet
D-66280 Sulzbach/Saar
Tel.: 0 68 97 / 509-01
Fax: 0 68 97 / 509-300
Internet: www.hydac.com
E-Mail: filter@hydac.com



Inline Filter MFM

Ports in L-configuration

up to 100 l/min, up to 280 bar



1. TECHNICAL SPECIFICATIONS

1.1 FILTER HOUSING

Construction

The filter housings are designed in accordance with international regulations. They consist of a filter head and a screw-in filter bowl.

Standard equipment:

- with bypass valve
- without clogging indicator connection
- filters are supplied phosphated and primed

1.2 FILTER ELEMENTS

HYDAC filter elements are validated and their quality is constantly monitored according to the following standards:

- ISO 2941, ISO 2942, ISO 2943, ISO 3724, ISO 3968, ISO 11170, ISO 16889

Contamination retention capacities in g

	Betamicron® (BN4HC)			
MFM	3 µm	5 µm	10 µm	20 µm
35	7.2	8.1	8.6	8.8
55	14.0	15.8	16.6	17.2
75	21.6	24.3	25.7	26.5
95	27.5	30.9	32.7	33.7

Filter elements are available with the following pressure stability values:

Betamicron® (BN4HC): 20 bar

1.3 SEALS

Perbunan (= NBR)

1.4 INSTALLATION

As inline filter

1.5 SPECIAL MODELS AND ACCESSORIES

Port for clogging indicator in head

1.6 FILTER SPECIFICATIONS

Nominal pressure	280 bar
Temperature range	-10 °C to +100 °C (-30 °C to -10 °C: p _{max} = 140 bar)
Material of filter head	EN-GJS 400-15
Material of filter bowl	Cold extruded steel
Type of clogging indicator	VD (differential pressure measurement up to 420 bar operating pressure)
Pressure setting of the clogging indicator	5 bar (others on request)
Bypass cracking pressure	7 bar (others on request)

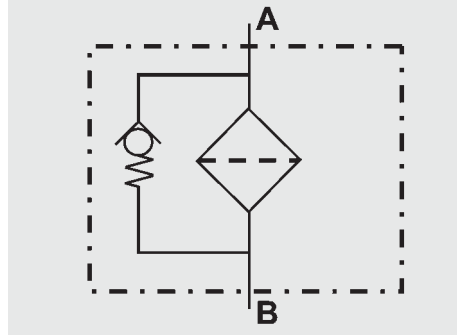
1.7 COMPATIBILITY WITH HYDRAULIC FLUIDS ISO 2943

- Hydraulic oils H to HLPD DIN 51524
- Lubrication oils DIN 51517, API, ACEA, DIN 51515, ISO 6743
- Compressor oils DIN 51506
- Biodegradable operating fluids VDMA 24568 HETG, HEES, HEPG
- Operating fluids with high water content (>50% water content) on request

1.8 MAINTENANCE INSTRUCTIONS

- Filter housings must be earthed.
- When using electrical clogging indicators, the electrical power supply to the system must be switched off before removing the clogging indicator connector.

Symbol for hydraulic systems



1.9 FILTER CALCULATION / SIZING

The total pressure drop of a filter at a certain flow rate Q is the sum of the housing Δp and the element Δp and is calculated as follows:

$$\Delta p_{\text{total}} = \Delta p_{\text{housing}} + \Delta p_{\text{element}}$$

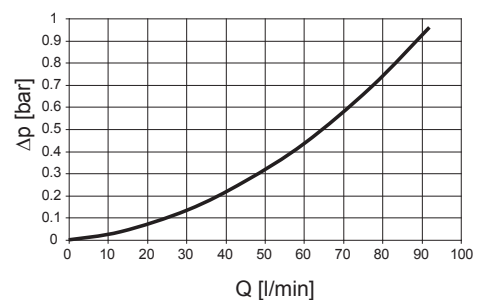
$$\Delta p_{\text{housing}} = \text{please refer to the housing curve}$$

$$\Delta p_{\text{element}} = Q \cdot SK^*/1000 \cdot \text{viscosity}/30$$

(*gradient coefficient)

HOUSING CURVE

The housing curves apply to mineral oil with a density of 0.86 kg/dm³ and a kinematic viscosity of 30mm²/s.



The gradient coefficients in mbar/(l/min) apply to mineral oils with a kinematic viscosity of 30 mm²/s. The pressure drop changes proportionally to the change in viscosity.

	(BN4HC)			
	3 µm	5 µm	10 µm	20 µm
35	23.6	19.0	14.8	9.3
55	13.7	11.0	8.1	4.8
75	9.3	7.5	5.3	3.1
95	7.5	6.0	4.1	2.4

2. MODEL CODE

2.1 COMPLETE FILTER

Type	Filter material	Size	Pressure range	Head design	Type of connection	Filtration rating [µm]	Type of clogging indicator*	Type code	Modification number	Supplementary details
MFM	BN/HC = Betamicon®	35 55 75 95	O = 280 bar	L = flow in L-configu- ration	A = M18x1.5 B = G 1/2 D = M22x1.5 Inlet: bore d15 with O-ring seal	3 5 10 20	W = without port, no clogging indicator A = steel plug in indicator port B = visual C = electrical D = visual/ electrical	1	.x = The latest version is always supplied	B7 = standard cracking pressure of bypass 7 bar It is essential to include this information! V = FPM seal

2.2 REPLACEMENT ELEMENT

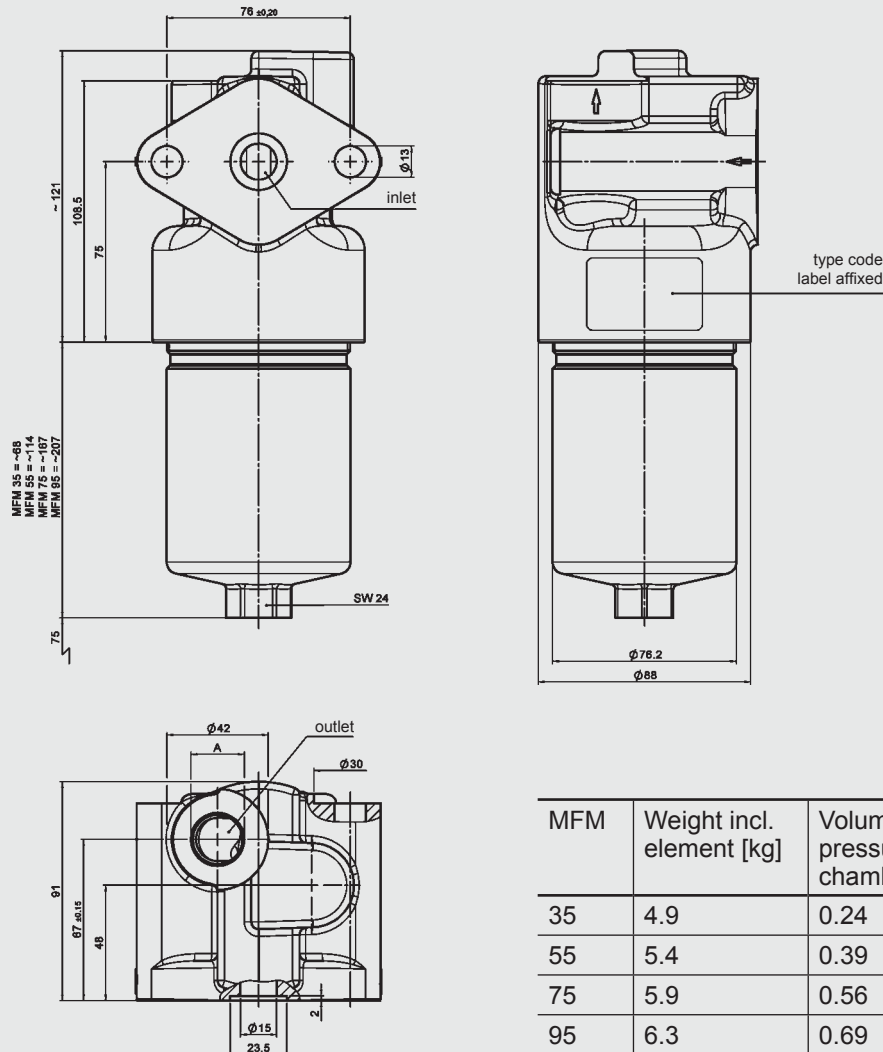
Size	Type	Filtration rating [µm]	Filter material	Supplementary details
0035 0055 0075 0095	D	003 005 010 020	BN4HC = Betamicon®	V = FPM seal

* for other clogging indicators see brochure no. 7.050../..

2.3 REPLACEMENT CLOGGING INDICATOR

Type	Pressure setting	Type of clogging indicator*	Modification number	Supplementary details
VD	5 = standard 5 bar	A = steel plug in indicator port B = visual C = electrical D = visual/ electrical	.x = The latest version is always supplied	V = FPM seal

3. DIMENSIONS



MFM	Weight incl. element [kg]	Volume of pressure chamber [l]
35	4.9	0.24
55	5.4	0.39
75	5.9	0.56
95	6.3	0.69

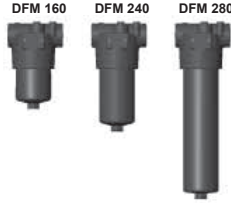
NOTE

The information in this brochure relates to the operating conditions and applications described.
For applications or operating conditions not described, please contact the relevant technical department.
Subject to technical modifications.

HYDAC FILTERTECHNIK GMBH
Industriegebiet
D-66280 Sulzbach/Saar
Tel.: 0 68 97 / 509-01
Fax: 0 68 97 / 509-300
Internet: www.hydac.com
E-Mail: filter@hydac.com



Pressure Filter DFM with Differential Pressure Relief Valve up to 280 l/min, up to 400 bar



1. TECHNICAL SPECIFICATIONS

1.1 FILTER HOUSING

Construction

The filter housings are designed in accordance with international regulations. They consist of a filter head and a screw-in filter bowl.

Standard equipment:

- differential pressure controlled relief valve
- connection for a clogging indicator

1.2 FILTER ELEMENTS

HYDAC filter elements are validated and their quality is constantly monitored according to the following standards:

- ISO 2941
- ISO 2942
- ISO 2943
- ISO 3724
- ISO 3968
- ISO 11170
- ISO 16889

Contamination retention capacities in g

DFM	Betamicon® BH4HC			
	3 µm	5 µm	10 µm	20 µm
160	12.9	12.6	13.9	15.9
240	21.6	21.1	23.2	26.5
280	48.1	47.1	51.8	59.1

Filter elements are available with the following pressure stability values:
Betamicon® (BH4HC): 210 bar

1.3 FILTER SPECIFICATIONS

Nominal pressure	400 bar
Fatigue strength	At nominal pressure 10 ⁶ cycles from 0 to nominal pressure
Temperature range	-30 °C to +100 °C (-30 °C to -10 °C: p _{max} = 200 bar)
Material of filter head	EN-GJS-400-15
Material of filter bowl	Steel
Type of clogging indicator	VD (differential pressure measurement up to 420 bar operating pressure)
Pressure setting of the clogging indicator	5 bar (others on request)
Cracking pressure of differential pressure controlled relief valve	20 bar (others on request) NOTE: On request, BN4HC elements (pressure stability up to 20 bar) can also be used at lower cracking pressures.

1.4 SEALS

NBR (= Perbunan)

1.5 INSTALLATION

As inline filter

1.6 SPECIAL MODELS AND ACCESSORIES

With pressure release / oil drain plug (SO184)

1.7 SPARE PARTS

See Original Spare Parts List

1.8 CERTIFICATES AND APPROVALS

On request

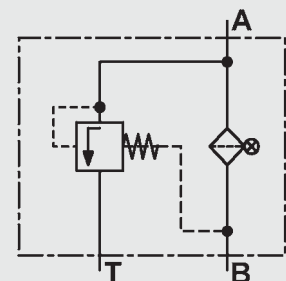
1.9 COMPATIBILITY WITH HYDRAULIC FLUIDS ISO 2943

- Hydraulic oils H to HLPD DIN 51524
- Lubrication oils DIN 51517, API, ACEA, DIN 51515, ISO 6743
- Compressor oils DIN 51506
- Biodegradable operating fluids VDMA 24568 HETG, HEES, HEPG
- Fire-resistant fluids HFA, HFB, HFC and HFD
- Operating fluids with high water content (>50% water content) on request

1.10 MAINTENANCE INSTRUCTIONS

- Filter housings must be earthed.
- When using electrical clogging indicators, the electrical power supply to the system must be switched off before removing the clogging indicator connector.

Symbol for hydraulic systems



2. MODEL CODE (also order example)

DFM BH/HC 240 S E 10 D 1 . X /-L24

2.1 COMPLETE FILTER

Filter type _____

DFM

Filter material of element _____

BH/HC Betamicron® (BH4HC)

Size of filter or element _____

DFM: 160, 240, 280

Operating pressure _____

S = 400 bar

Type and size of connection _____

Type	Port	Filter size		
		160	240	280
E	G1 ¼	●	●	●

Filtration rating in µm _____

BH/HC : 3, 5, 10, 20

Type of clogging indicator _____

Y plastic blanking plug in indicator port

A steel blanking plug in indicator port

B visual

C electrical

D visual and electrical

for other clogging indicators,
see brochure no. 7.050../..

Type code _____

1

Modification number _____

X the latest version is always supplied

Supplementary details _____

L... light with appropriate voltage (24, 48, 110, 220 Volt)

LED 2 light-emitting diodes up to 24 Volt

SO184 pressure release/oil drain screw

V FPM seals

] only for clogging
indicators type "D"

2.2 REPLACEMENT ELEMENT

0240 D 010 BH4HC /-V

Size _____

0160, 0240, 0280

Type _____

D

Filtration rating in µm _____

BH4HC: 003, 005, 010, 020

Filter material _____

BH4HC

Supplementary details _____

V (for descriptions, see point 2.1)

2.3 REPLACEMENT CLOGGING INDICATOR

VD 5 D . X /-L24

Type _____

VD Diff. pressure indicator up to 420 bar oper. pressure

Pressure setting _____

5 standard 5 bar, others on request

Type of clogging indicator _____

D (see point 2.1)

Modification number _____

X the latest version is always supplied

Supplementary details _____

L..., LED, V (for descriptions, see point 2.1)

3. FILTER CALCULATION / SIZING

The total pressure drop of a filter at a certain flow rate Q is the sum of the housing Δp and the element Δp and is calculated as follows:

$$\Delta p_{\text{total}} = \Delta p_{\text{housing}} + \Delta p_{\text{element}}$$

$$\Delta p_{\text{housing}} = (\text{see Point 3.1})$$

$$\Delta p_{\text{element}} = Q \cdot \frac{SK^*}{1000} \cdot \frac{\text{viscosity}}{30}$$

(*see point 3.2)

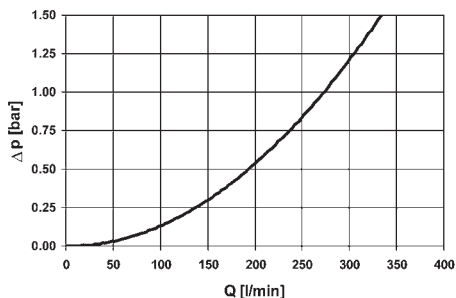
For ease of calculation, our Filter Sizing Program is available on request free of charge.

NEW: Sizing online at www.hydac.com

3.1 Δp -Q HOUSING CURVES BASED ON ISO 3968

The housing curves apply to mineral oil with a density of 0.86 kg/dm³ and a kinematic viscosity of 30 mm²/s. In this case, the differential pressure changes proportionally to the density.

DFM 160/240/280

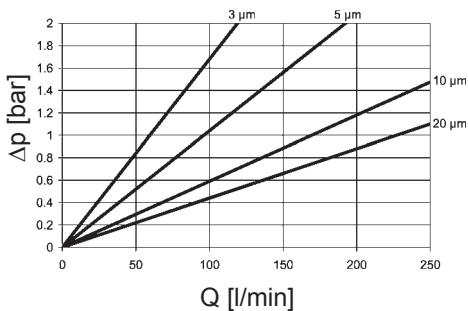


3.2 GRADIENT COEFFICIENTS (SK) FOR FILTER ELEMENTS

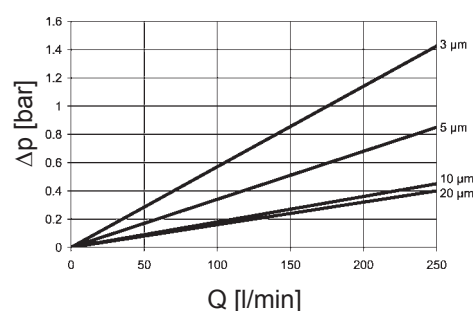
The gradient coefficients in mbar/(l/min) apply to mineral oils with a kinematic viscosity of 30 mm²/s. The pressure drop changes proportionally to the change in viscosity.

DFM	BH4HC			
	3 μm	5 μm	10 μm	20 μm
160	16.8	10.4	5.9	4.4
240	10.6	6.8	3.9	2.9
280	5.7	3.4	1.8	1.6

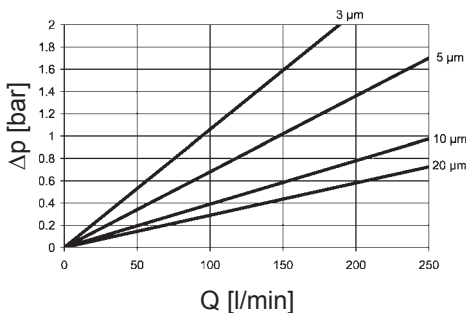
BH4HC: DFM 160



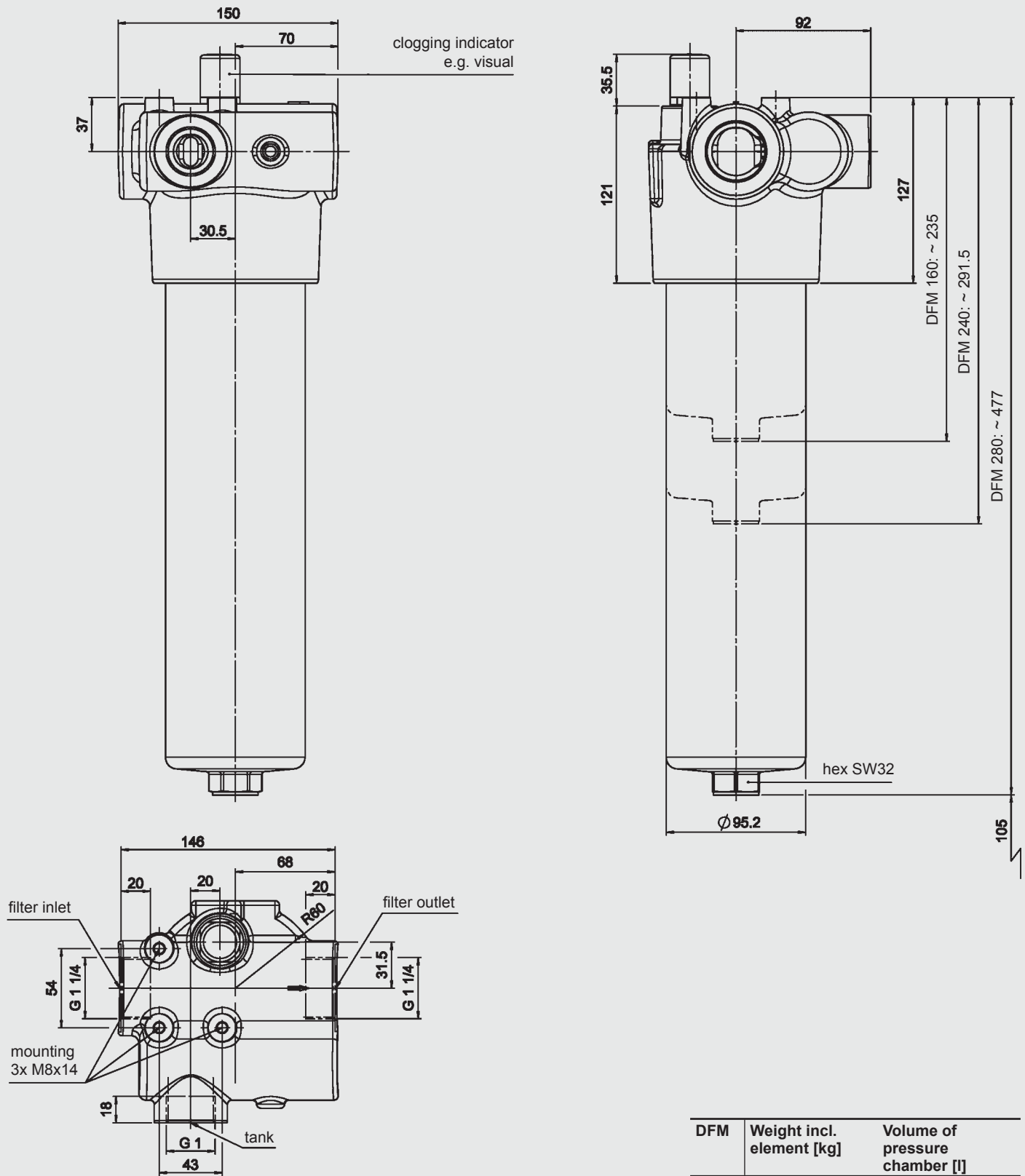
BH4HC: DFM 280



BH4HC: DFM 240



4. DIMENSIONS



DFM	Weight incl. element [kg]	Volume of pressure chamber [l]
160	11.0	0.6
240	12.5	0.8
280	17.1	1.45

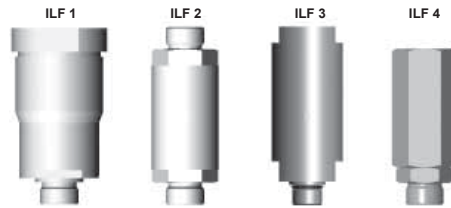
NOTE

The information in this brochure relates to the operating conditions and applications described. For applications or operating conditions not described, please contact the relevant technical department. Subject to technical modifications.

HYDAC FILTERTECHNIK GMBH
 Industriegebiet
D-66280 Sulzbach/Saar, Germany
 Tel.: 0 68 97 / 509-01
 Fax: 0 68 97 / 509-300
 Internet: www.hydac.com
 E-mail: filter@hydac.com



Inline Filter ILF up to 120 l/min, up to 350 bar



1. TECHNICAL SPECIFICATIONS

1.1 FILTER HOUSING

Construction

The filter housings are designed in accordance with international regulations. They consist of a filter housing and a screw-in cover plate.

Standard equipment:

- without bypass valve (only ILF 1, ILF 3 and ILF 4)
- with bypass valve (only ILF 2 and ILF 3)

1.2 FILTER ELEMENTS

HYDAC filter elements are validated and their quality is constantly monitored according to the following standards:

- ISO 2941
- ISO 2942
- ISO 2943
- ISO 3724
- ISO 3968
- ISO 16889

Filter elements are available with the following pressure stability values:

Betamicon® (BN4HC): 20 bar
 Betamicon® (BH4HC): 210 bar
 Wire mesh (W): up to 100 bar

1.3 FILTER SPECIFICATIONS

Nominal pressure	ILF 1, 2, 3: 350 bar The permitted operating pressure will be reduced according to the max. permitted value of the threaded connection used! ILF 4: 160 bar
Fatigue strength	At nominal pressure 10 ⁶ cycles from 0 to nominal pressure
Temperature range	-10 °C to +100 °C
Material of filter housing and cover plate	ILF 1, 2, 3: Steel 52-3 ILF 4: Aluminium
Cracking pressure of bypass: optional:	ILF 2: 5.5 bar ILF 3: 3 or 6 bar

1.4 SEALS

Perbunan (= NBR)

1.5 INSTALLATION

As inline filter

1.6 SPECIAL MODELS AND ACCESSORIES

- bypass valve for ILF 3
- others on request
see original spare parts list

1.7 SPARE PARTS

See Original Spare Parts List

1.8 CERTIFICATES AND APPROVALS

On request

1.9 COMPATIBILITY WITH HYDRAULIC FLUIDS ISO 2943

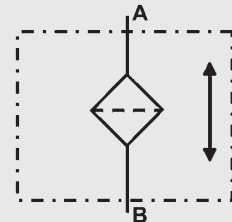
- Hydraulic oils H to HLPD DIN 51524
- Lubrication oils DIN 51517, API, ACEA, DIN 51515, ISO 6743
- Compressor oils DIN 51506
- Biodegradable operating fluids VDMA 24568 HETG, HEES, HEPG
- Operating fluids with high water content (>50% water content) on request

1.10 MAINTENANCE INSTRUCTIONS

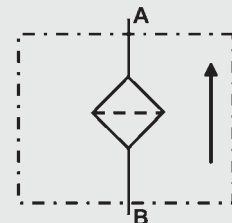
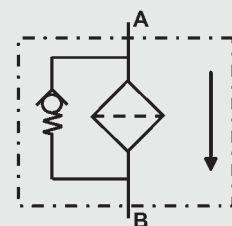
- Filter housings must be earthed.

Symbol for hydraulic systems

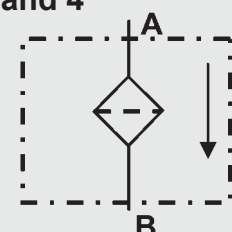
ILF 1



ILF 2



ILF 3 and 4



2. MODEL CODE (also order example)

ILF W 2 R F F 100 W 1 . X /-B5.5-IA

2.1 COMPLETE FILTER

Filter type _____

ILF

Filter material of element _____

W Wire mesh

BN/HC Betamicon® (only ILF 3)

BH/HC Betamicon® (only ILF 3)

Size of filter or element _____

ILF: 1, 2, 3, 4

Operating pressure _____

K = 160 bar (only ILF 4)

R = 350 bar

The permitted operating pressure will be reduced according to the max. permitted value of the threaded connection used!

Type and size of port - inlet _____

Type	Port	Filter size			
		1	2	3	4
A	M18x1.5	●	●		
B	G ½			X	
D	M22x1.5	●	●	●	
F	M24x1.5	●	●		●
H	M30x2		●		

NOTE:

Same port size at inlet and outlet (for ILF 1 and 2)
Please see Point 4 "Dimensions"!

X = only possible for female threads
(Supplementary detail code: II)

Type and size of port - outlet _____

Type	Port	Filter size			
		1	2	3	4
A	M18x1.5	●	●		
B	G ½			X	
D	M22x1.5	●	●	●	●
F	M24x1.5	●	●		
H	M30x2		●		

X = only possible for female threads
(Supplementary detail code: II)

Filtration rating in µm _____

BN/HC, BH/HC : 10, 20 (only ILF 3)

W : 40, 80¹⁾, 100, 200 others on request

Type of clogging indicator _____

W without port, no clogging indicator

Type code _____

1

Modification number _____

X the latest version is always supplied

Supplementary details _____

B5.5 standard: bypass cracking pressure 5.5 bar = **required info for ILF 2²⁾**

B3 or B6 = **required info for ILF 3** (if bypass valve is required!)

V FPM seals

Connection type = **Required info:**

inlet	outlet	Code
Female	Female	II
Female	Male	IA
Male	Female	AI
Male	Male	AA

NOTE:

Same port size at inlet and outlet (for ILF 1 and 2)
Please see Point 4 "Dimensions"!

¹⁾ Only for ILF 4

²⁾ Not possible for ILF 1 and ILF 4

2.2 REPLACEMENT ELEMENT ¹⁾

HE03119932 100 -W /-V

Size _____

0015 R²⁾] only ILF 3

0015 D²⁾]

HE1468 only ILF 1

HE03119932 only ILF 2

Filtration rating in µm _____

BN4HC, BH4HC : 10, 20 (only ILF 3)

W : 40, 100, 200 others on request

Filter material _____

BN4HC, BH4HC, W

Supplementary details _____

B3 standard: bypass opening pressure for R elements

B6 special bypass cracking pressure 6 bar (only for BN4HC elements)

V (for descriptions, see Point 2.1)

¹⁾ Replacement element for ILF 4 on request!

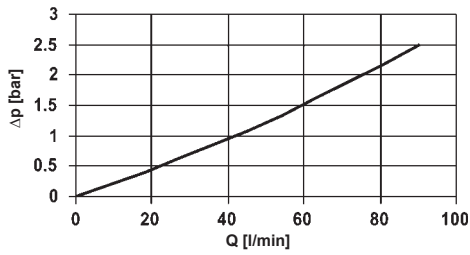
²⁾ Replacement element 0015 R... (bypass version) or 0015 D... (version without bypass)

3. FILTER CALCULATION / SIZING

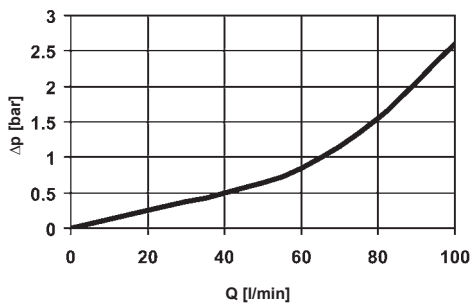
3.1 GRAPHS FOR COMPLETE FILTER

The curves apply to mineral oil with a density of 0.86 kg/dm³ and a kinematic viscosity of 30mm²/s.

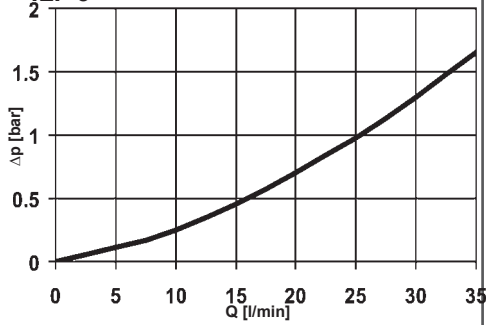
ILF 1



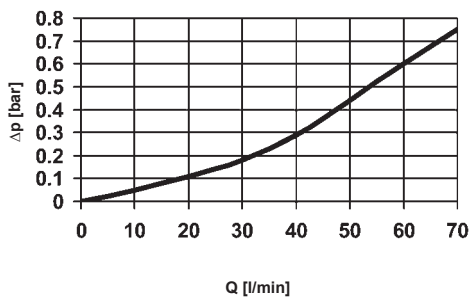
ILF 2



ILF 3

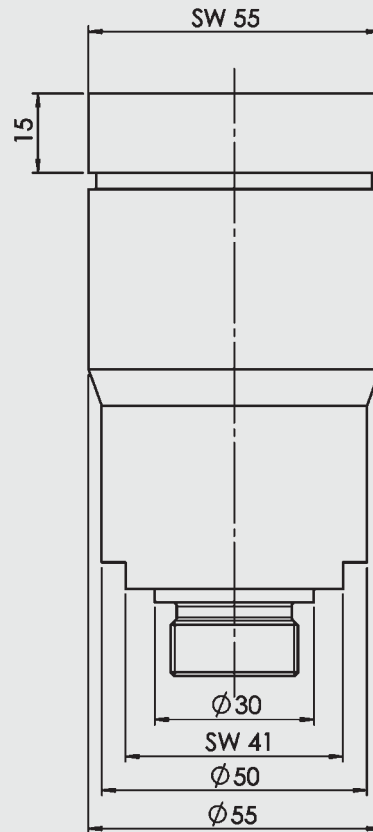
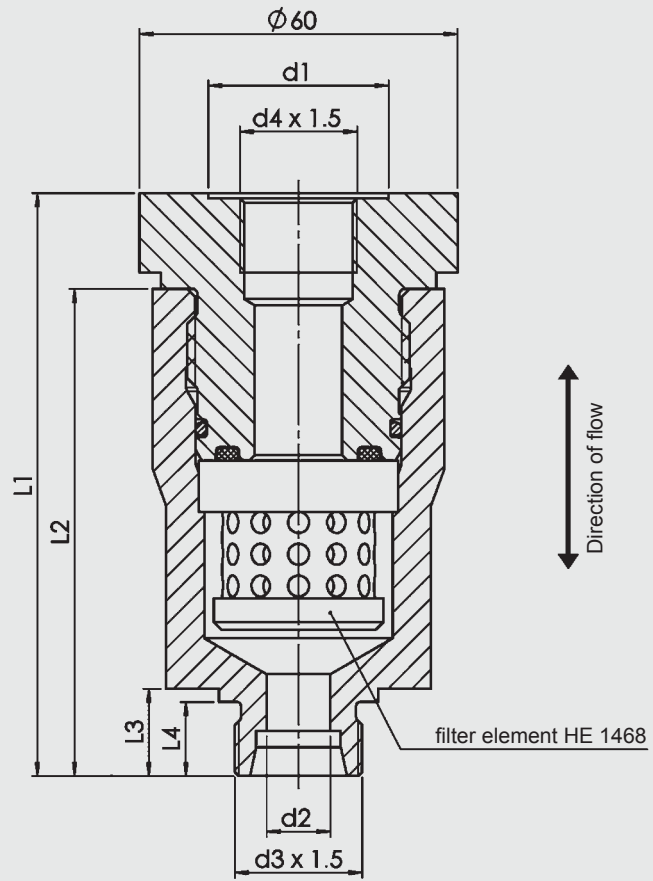


ILF 4

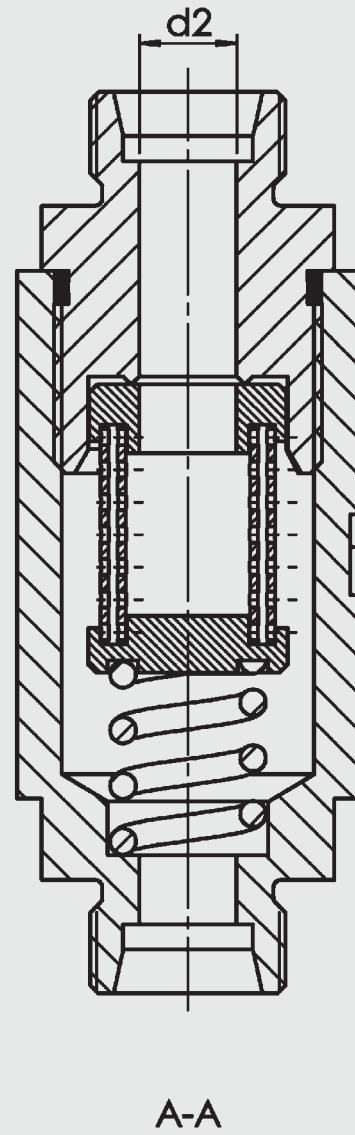
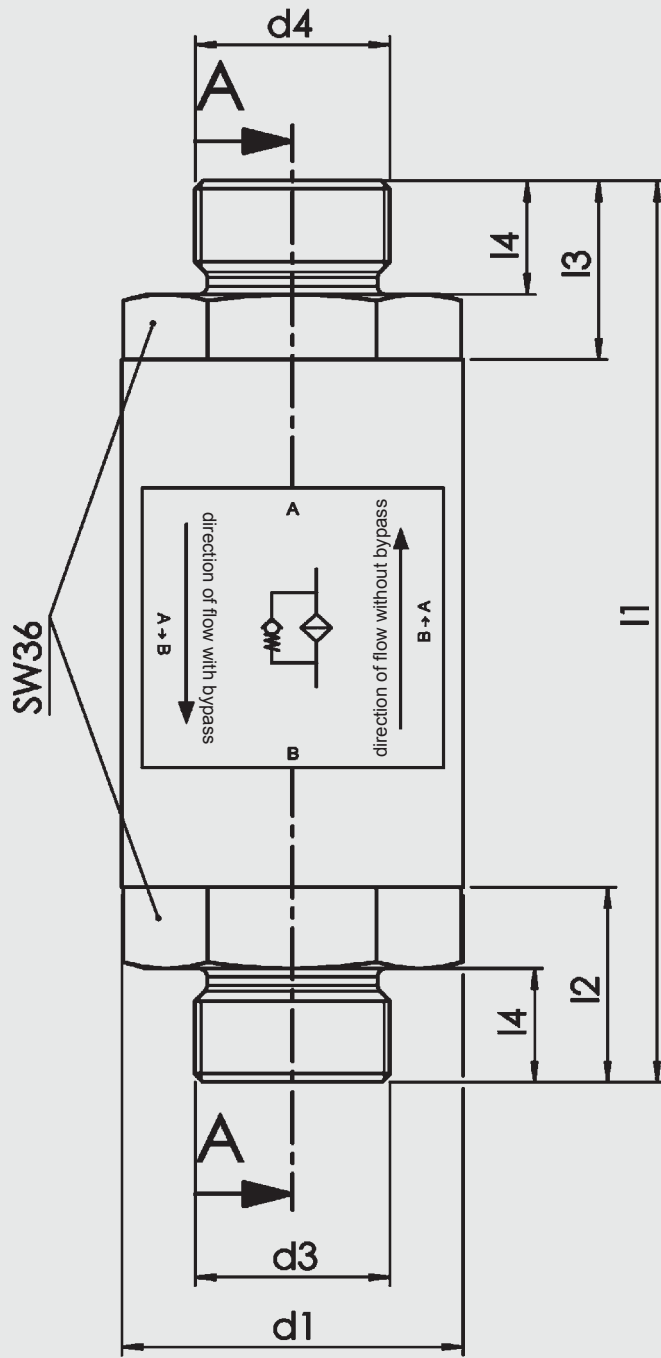


4. DIMENSIONS

ILF 1



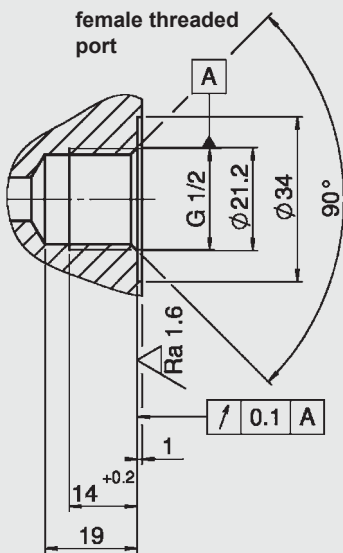
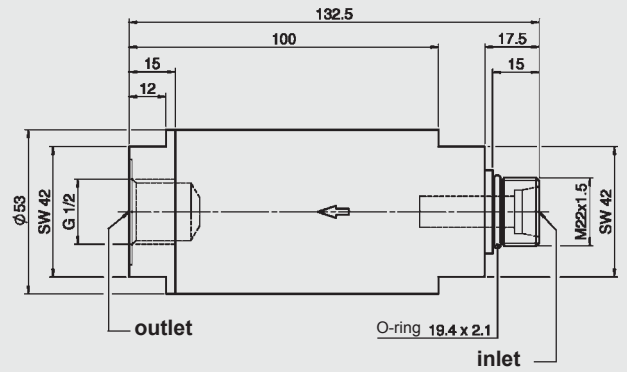
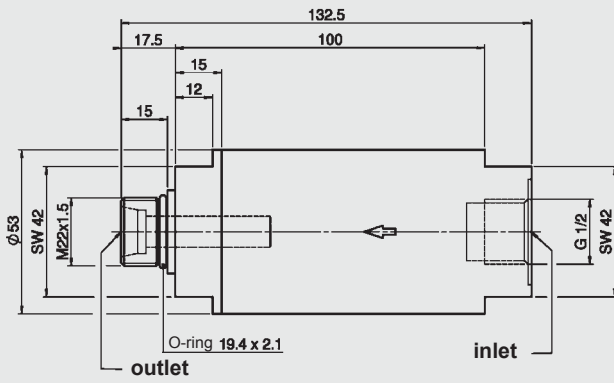
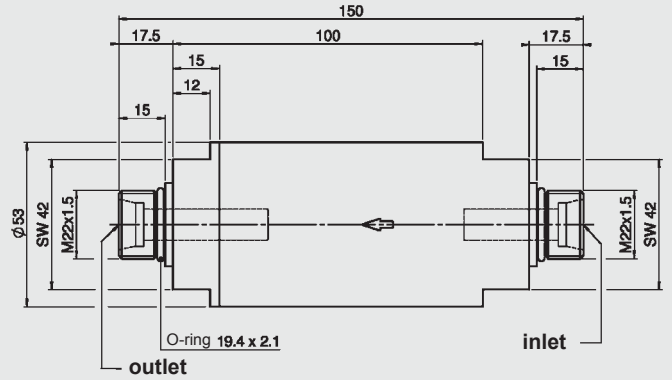
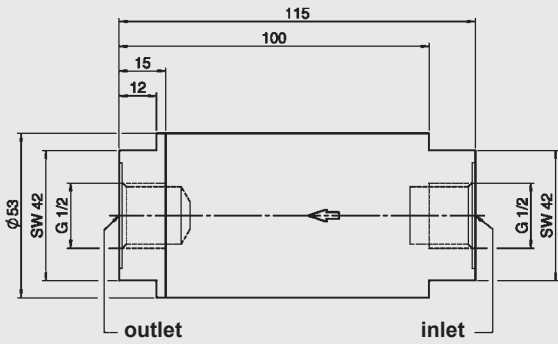
NF	d1	d2	d3	d4	L1	L2	L3	L4	Weight incl. element [kg]	Vol. of pressure chamber [l]
1	28	10	M18	M18	108	90	13.5	11	1.40	0.03
	34	12	M22	M22	109	91	14,5	12	1.39	
	34	12	M24	M24	110	92	16.5	14	1.39	



NF	d1	d2	d3	d4	L1	L2	L3	L4	Weight incl. element [kg]	Vol. of pressure chamber [l]
2	42	9	M18x1.5	M18x1.5	107	22	22	12	0.77	0.04
		12	M22x1.5	M22x1.5	111	24	22	14	0.78	
		12	M24x1.5*	M24x1.5*	111	24	22	14	0.79	
		12	M30x2	M30x2	115	26	24	16	0.83	

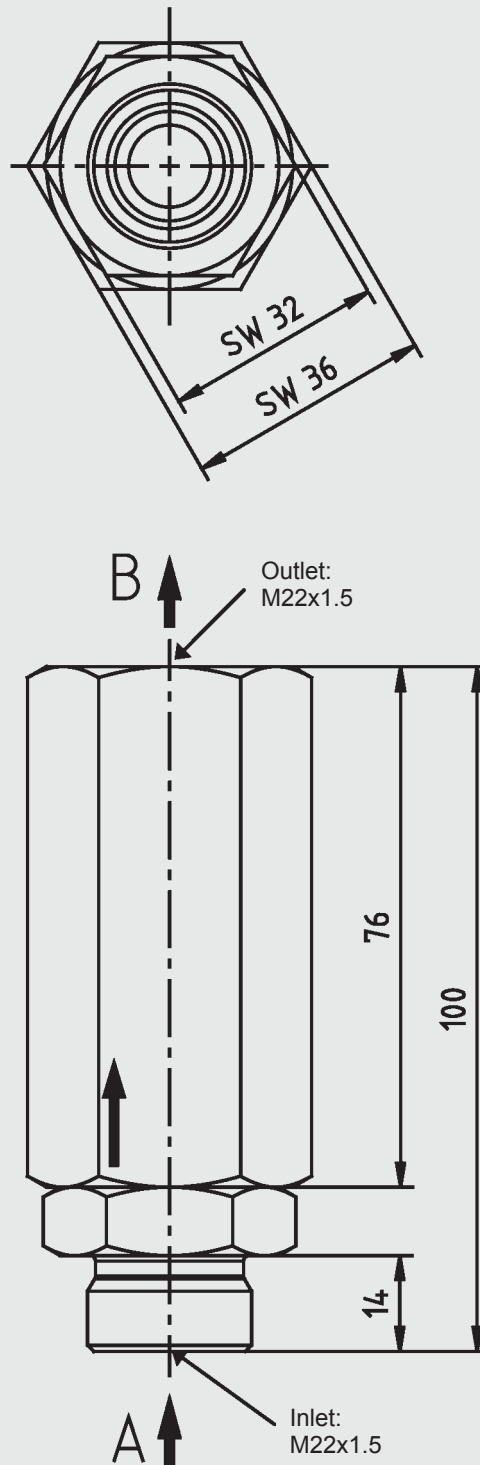
* Preferred types

ILF 3



ILF	Weight incl. element [kg]	Vol. of pressure chamber [l]
3	approx. 1.4	0.07

ILF 4



NOTE

The information in this brochure relates to the operating conditions and applications described.
For applications or operating conditions not described, please contact the relevant technical department.
Subject to technical modifications.

HYDAC FILTERTECHNIK GMBH
Industriegebiet
66280 Sulzbach/Saar, Germany
Tel.: 0 68 97 / 509-01
Fax: 0 68 97 / 509-300
Internet: www.hydac.com
E-mail: filter@hydac.com

Pressure Filter HFM up to 140 l/min, up to 400 bar



1. TECHNICAL SPECIFICATIONS

1.1 FILTER HOUSING

Construction

The filter housings are designed in accordance with international regulations. They consist of a filter head and a screw-in filter bowl.

Standard equipment:

- bypass valve
- connection for a clogging indicator on the top of the head (4 mounting holes)

1.2 FILTER ELEMENTS

HYDAC filter elements are validated and their quality is constantly monitored according to the following standards:

- ISO 2941
- ISO 2942
- ISO 2943
- ISO 3724
- ISO 3968
- ISO 11170
- ISO 16889

Contamination retention capacities in g

HFM	Betamicon® BN4HC			
	3 µm	5 µm	10 µm	20 µm
75	21.6	24.3	25.7	26.5
95	27.5	30.9	32.7	33.7

Filter elements are available with the following pressure stability values:
Betamicon® (BN4HC): 20 bar

1.3 FILTER SPECIFICATIONS

Nominal pressure	400 bar
Fatigue strength	At nominal pressure 10 ⁶ cycles from 0 to nominal pressure
Temperature range	-10 °C to +100 °C (-30 °C to -10 °C: p _{max} = 200 bar)
Material of filter head	EN-GJS 400-15
Material of filter bowl	Cold extruded steel
Type of clogging indicator	VD (differential pressure measurement up to 420 bar operating pressure)
Pressure setting of the clogging indicator	5 bar (others on request)
Bypass cracking pressure	7 bar (others on request)

1.4 SEALS

NBR (= Perbunan)

1.5 INSTALLATION

As inline filter

1.6 SPECIAL MODELS AND ACCESSORIES

On request

1.7 SPARE PARTS

See Original Spare Parts List

1.8 CERTIFICATES AND APPROVALS

On request

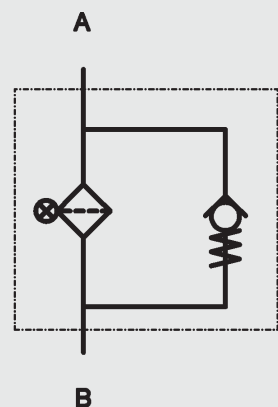
1.9 COMPATIBILITY WITH HYDRAULIC FLUIDS ISO 2943

- Hydraulic oils H to HLPD DIN 51524
- Lubrication oils DIN 51517, API, ACEA, DIN 51515, ISO 6743
- Compressor oils DIN 51506
- Biodegradable operating fluids VDMA 24568 HETG, HEES, HEPG
- Operating fluids with high water content (>50% water content) on request

1.10 MAINTENANCE INSTRUCTIONS

- Filter housings must be earthed.
- When using electrical clogging indicators, the electrical power supply to the system must be switched off before removing the clogging indicator connector.

Symbol for hydraulic systems



2. MODEL CODE (also order example)

HFM BN/HC 75 S J 10 D 1 . X /-L24

2.1 COMPLETE FILTER

Filter type _____

HFM

Filter material of element _____

BN/HC Betamicon® (BN4HC)

Size of filter or element _____

HFM: 75, 95

Operating pressure _____

S = 400 bar

Type and size of connection _____

Type	Port	Filter size	
		75	95
H	G ¾	●	●
J	G 1	●	●

Filtration rating in µm _____

BN/HC: 3, 5, 10, 20

Type of clogging indicator _____

W without port (no clogging indicator)

A plastic blanking plug in indicator port

B visual

C electrical

D visual and electrical

for other clogging indicators,
see brochure no. 7.050../..

Type code _____

1

Modification number _____

X the latest version is always supplied

Supplementary details _____

B7 standard: bypass cracking pressure 7 bar

L... light with appropriate voltage (24, 48, 110, 220 Volt)

LED 2 light-emitting diodes up to 24 Volt

V FPM seals

W suitable for HFA and HFC emulsions

] only for clogging
indicators type "D"

2.2 REPLACEMENT ELEMENT

0075 D 010 BN4HC /-V

Size _____

0075, 0095

Type _____

D

Filtration rating in µm _____

BN4HC: 003, 005, 010, 020

Filter material _____

BN4HC

Supplementary details _____

V (for descriptions, see point 2.1)

2.3 REPLACEMENT CLOGGING INDICATOR

VD 5 D . X /-L24

Type _____

VD differential pressure indicator up to 420 bar operating pressure

Pressure setting _____

5 standard 5 bar, others on request

Type of clogging indicator _____

D (see point 2.1)

Modification number _____

X the latest version is always supplied

Supplementary details _____

L..., LED, V, W (for descriptions, see point 2.1)

3. FILTER CALCULATION / SIZING

The total pressure drop of a filter at a certain flow rate Q is the sum of the housing Δp and the element Δp and is calculated as follows:

$$\Delta p_{\text{total}} = \Delta p_{\text{housing}} + \Delta p_{\text{element}}$$

$$\Delta p_{\text{housing}} = (\text{see Point 3.1})$$

$$\Delta p_{\text{element}} = Q \cdot \frac{SK^*}{1000} \cdot \frac{\text{viscosity}}{30}$$

(*see Point 3.2)

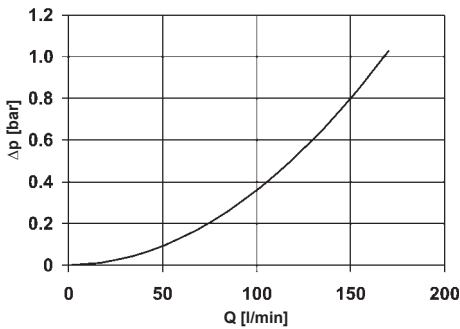
For ease of calculation, our Filter Sizing Program is available on request free of charge.

NEW: Sizing online at www.hydac.com

3.1 Δp -Q HOUSING CURVES BASED ON ISO 3968

The housing curves apply to mineral oil with a density of 0.86 kg/dm³ and a kinematic viscosity of 30 mm²/s. In this case, the differential pressure changes proportionally to the density.

HFM

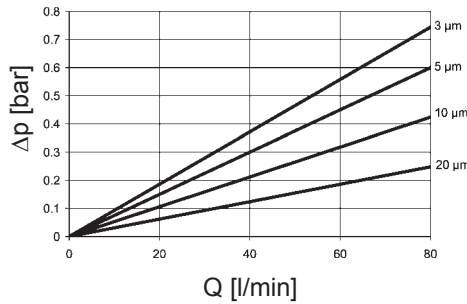


3.2 GRADIENT COEFFICIENTS (SK) FOR FILTER ELEMENTS

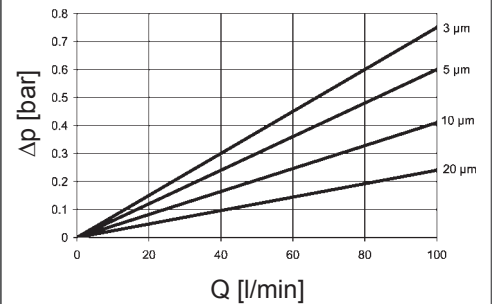
The gradient coefficients in mbar/(l/min) apply to mineral oils with a kinematic viscosity of 30 mm²/s. The pressure drop changes proportionally to the change in viscosity.

HFM	BN4HC			
	3 μm	5 μm	10 μm	20 μm
75	9.3	7.5	5.3	3.1
95	7.5	6.0	4.1	2.4

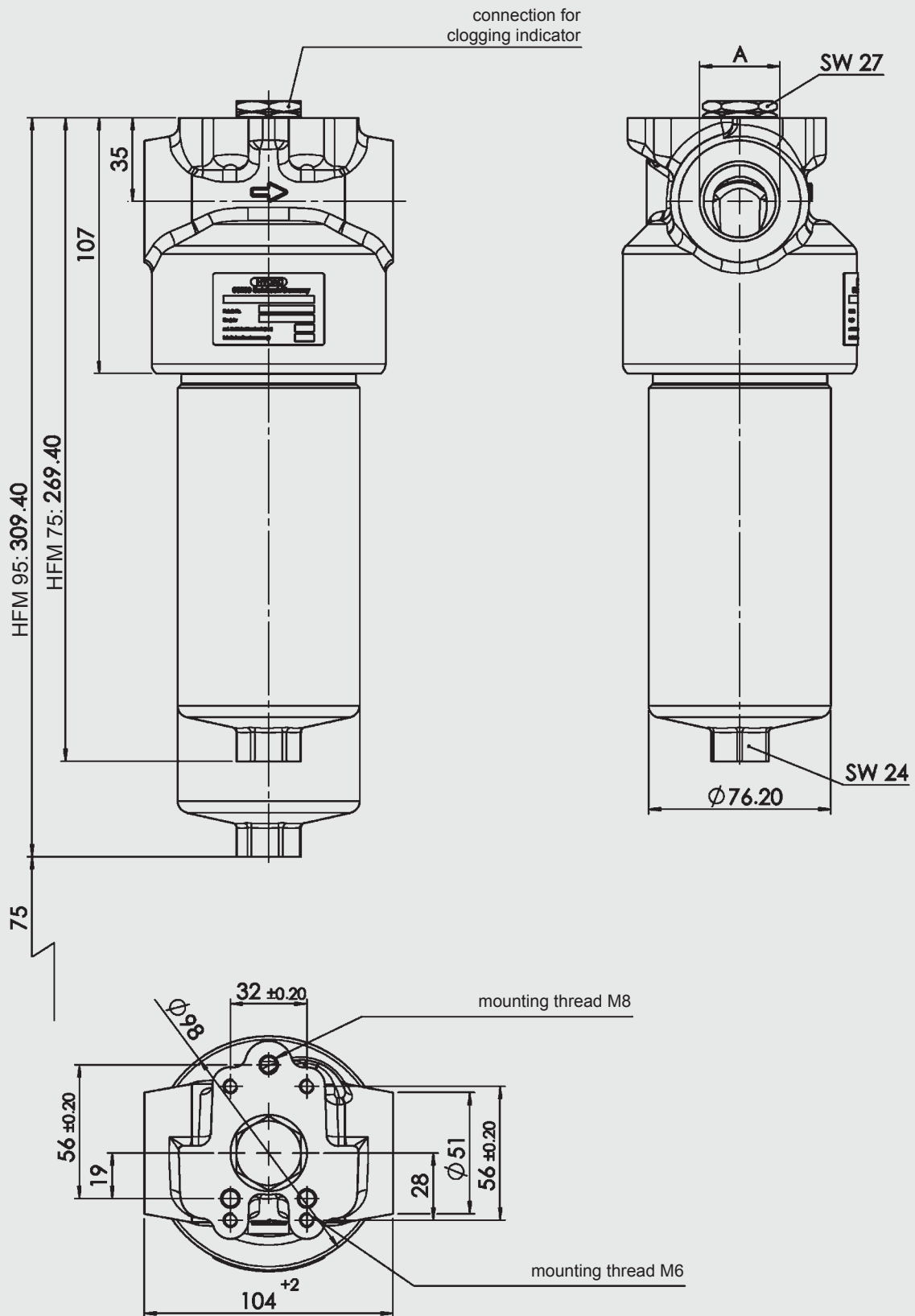
BN4HC: HFM 75



BN4HC: HFM 95



4. DIMENSIONS



HFM	Weight incl. element [kg]	Vol. of pressure chamber [l]
75	5.6	0.56
95	6.1	0.69

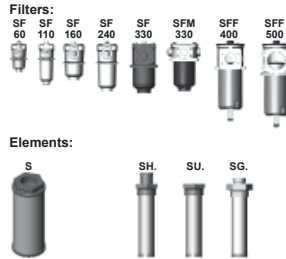
NOTE

The information in this brochure relates to the operating conditions and applications described.
For applications or operating conditions not described, please contact the relevant technical department.
Subject to technical modifications.

HYDAC FILTERTECHNIK GMBH
Industriegebiet
D-66280 Sulzbach/Saar, Germany
Tel.: 0 68 97 / 509-01
Fax: 0 68 97 / 509-300
Internet: www.hydac.com
E-mail: filter@hydac.com



Suction Filter SF/SFM/SFF and Suction Filter Elements S/S.. up to 500 l/min



1. TECHNICAL SPECIFICATIONS

1.1 FILTER HOUSING

Construction

The filter housings are designed in accordance with international regulations. The SF filters consist of a filter housing and a bolt-on cover plate. The SFM and SFF filters consist of a filter head with filter bowl and bolt-on cover plate (on the SFF there is a foot valve in the base of the filter bowl).

Standard equipment:

- bypass valve
- connection for a clogging indicator

1.2 FILTER ELEMENTS

HYDAC filter elements are validated and their quality is constantly monitored according to the following standards:

- ISO 2941
- ISO 2942
- ISO 2943
- ISO 3724
- ISO 3968
- ISO 11170
- ISO 16889

The suction elements S are designed to be screwed into the suction line on pumps or inside tanks.

The suction filter elements S.. are designed to be mounted simply onto the outside of the tank. Hoses and fittings must be supported to avoid any load on the connection. Elements can be changed very simply.

It is essential that suction filter elements are always installed well below the minimum oil level.

Standard equipment:

- without bypass valve

Filter elements are available with the following pressure stability values:

Paper (P): 5 bar
Wire mesh (W): 5 bar

1.3 FILTER SPECIFICATIONS

Nominal pressure	Suction operation
Temperature range	-10 °C to +100 °C
Material of SF filter	Cover plate: aluminium Housing: aluminium
Material of SFM filter	Cover plate: aluminium Filter head: aluminium Filter bowl: polyamide
Material of SFF filter	Cover plate: GGG40 Filter head: aluminium Filter bowl: steel
Material of S elements	Filter mesh: wire mesh End caps: polyamide Central tube: steel, zinc-plated
Material of S.. elements	Filter mesh: wire mesh End caps: on request Central tube: on request
Type of clogging indicator	VR Connection thread G 1/2 V1/4 Conn. thread NPT (only SFF)
Pressure setting of the clogging indicator	0.2 to 2 bar (others on request)
Bypass cracking pressure	0.25 bar (SFF filter) 0.3 bar (SF and SFM filter) (others on request)
Cracking pressure of bypass valve for suction filter elements S (optional)	0.2 bar

1.4 SEALS

NBR (= Perbunan)

1.5 INSTALLATION

As tank-top or inline filter.

1.6 SPECIAL MODELS AND ACCESSORIES

On request

1.7 SPARE PARTS

See Original Spare Parts List

1.8 CERTIFICATES AND APPROVALS

On request

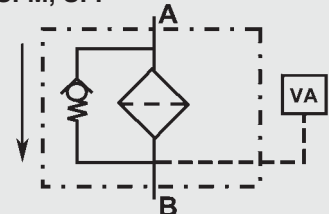
1.9 COMPATIBILITY WITH HYDRAULIC FLUIDS ISO 2943

- Hydraulic oils H to HLPD DIN 51524
- Lubrication oils DIN 51517, API, ACEA, DIN 51515, ISO 6743
- Compressor oils DIN 51506
- Biodegradable operating fluids VDMA 24568 HETG, HEES, HEPG
- Fire-resistant fluids HFA, HFB, HFC and HFD
- Operating fluids with high water content (>50% water content) on request

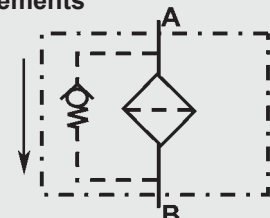
1.10 IMPORTANT INFORMATION

- Filter housings must be earthed.
- When using electrical clogging indicators, the electrical power supply to the system must be switched off before removing the clogging indicator connector.

Symbol for hydraulic systems SF, SFM, SFF



S elements



VA = clogging indicator

2. MODEL CODE (also order example)

SF W 330 W L 10 UE 1 . X /-V

2.1 COMPLETE FILTER

Filter type

SF, SFM, SFF

Filter material

P paper (not for SFF)
W stainless steel wire mesh

Size of filter or element

SF: 60, 110, 160, 240, 330
SFM: 330
SFF: 400, 500

Operating pressure

W suction operation

Type and size of connection

Type	Connection	Filter size								
		SF 60	SF 110	SF 160	SF 240	SF 330	SFM 330	SFF 400	SFF 500	
C	G ¾	●	●							
E	G 1¼			●	●					
F	G 1½						●			
G	G 2					●				
K	SAE DN 40 (1½")						●			
L	SAE DN 50 (2")					●				
M	SAE DN 65 (2½")							●		
P	SAE DN 100 (4")								●	

Filtration rating

P: 10, 20 (not for SFF)
W: 75, 125

Type of clogging indicator

A steel blanking plug in indicator port
E pressure gauge
UE vacuum gauge
UF vacuum switch
for other clogging indicators see brochure no. 7.050../..

Type code

1

Modification number

X the latest version is always supplied

Supplementary details

KB without bypass valve
V FPM seals
W suitable for HFA and HFC emulsions

2.2 REPLACEMENT ELEMENT FOR SF / SFM / SFF FILTERS

0330 RS 075 W /-V

Size

0060, 0110, 0160, 0240, 0330, 0400, 0500

Type

RS

Filtration rating in µm

P: 010, 020 (not for SFF)
W: 075, 125

Filter material

P, W

Supplementary details

SFF must be added to model code for SFF filter
V, W (for descriptions, see Point 2.1)

2.3 REPLACEMENT CLOGGING INDICATOR

VR 1 UE . X /-V

Type

VR connection thread G ½ (only for SF and SFM filter)
V1/4 connection thread NPT (only for SFF filter)

Pressure setting

2 2 bar (for type E)
1 1 bar (for type UE)
0.2 0.2 bar (for type UF)

Type of clogging indicator (see Point 2.1)

Modification number

X the latest version is always supplied

Supplementary details

V (for descriptions, see point 2.1)

2.4 SUCTION FILTER ELEMENT S 0050 S 125 W /-B0.2

Size 0015, 0025, 0050, 0100, 0180

Type S

Filtration rating in μm 075, 125

Filter material W

Supplementary details B0.2 special cracking pressure of bypass 0.2 bar;
no details = standard

2.5 SUCTION FILTER ELEMENT S.. 0070 SGD 125 W

Size 0040, 0060, 0070, 0110

Type SHB* suction filter element hose connection
(38.1 and 32)

SUI* suction filter element UN thread
(1 1/16-12 UN and 1 6/16-12UN)

SG.* suction filter element thread
(G 3/4, G 1, G 1 1/2)

Filtration rating in μm 125

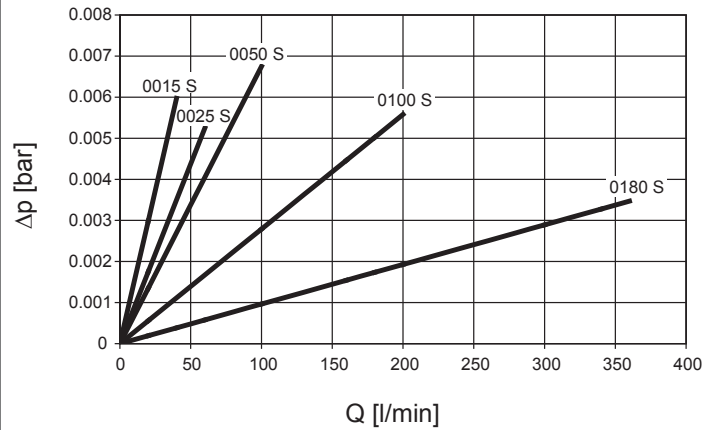
Filter material W

*for further details on the designation, please see point 5

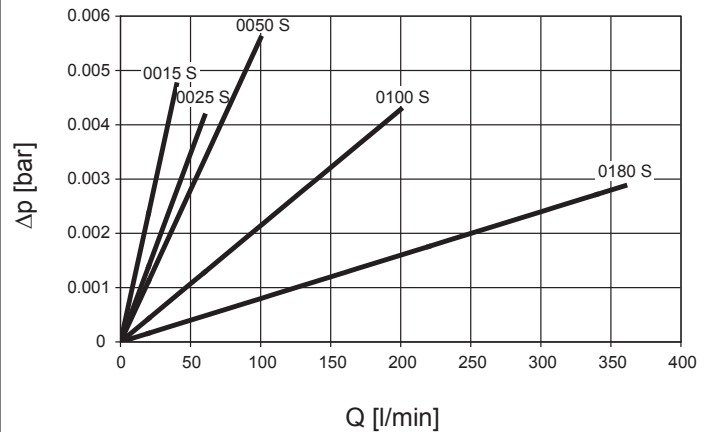
3. FILTER CALCULATION / SIZING SAND S..

3.1 ΔP -Q-GRAPHS FOR SUCTION FILTER ELEMENTS S (AT 30 MM²/S)

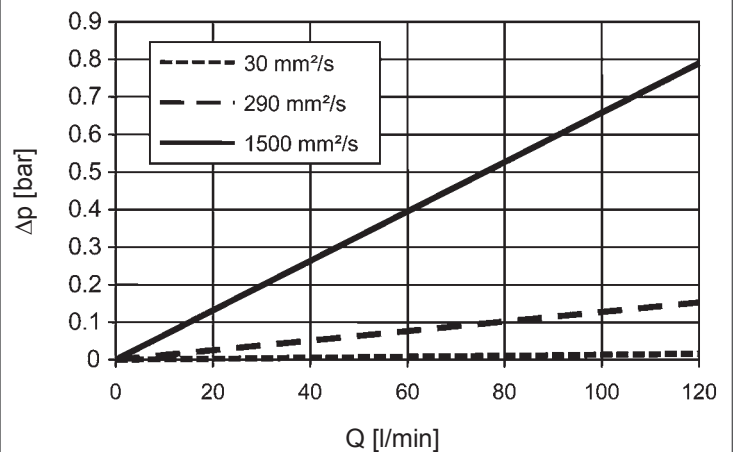
75 μm



125 μm



3.2 ΔP -Q-GRAPHS FOR SUCTION FILTER ELEMENTS S.. FOR MOUNTING ON OUTSIDE OF TANK



4. FILTER CALCULATION / SIZING SF, SFM, SFF

The total pressure drop of a filter at a certain flow rate Q is the sum of the housing Δp and the element Δp and is calculated as follows:

$$\Delta p_{\text{total}} = \Delta p_{\text{housing}} + \Delta p_{\text{element}}$$

$$\Delta p_{\text{housing}} = (\text{see Point 4.1})$$

$$\Delta p_{\text{element}} = Q \cdot \frac{SK^*}{1000} \cdot \frac{\text{viscosity}}{30}$$

(*see point 4.2)

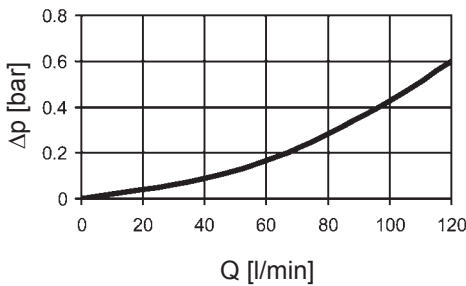
For ease of calculation, our Filter Sizing Program is available on request free of charge.

NEW: Sizing online at www.hydac.com

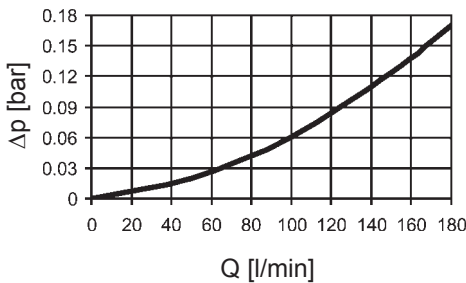
4.1 Δp -Q HOUSING CURVES BASED ON ISO 3968

The housing curves apply to mineral oil with a density of 0.86 kg/dm³ and a kinematic viscosity of 30 mm²/s. In this case, the differential pressure changes proportionally to the density.

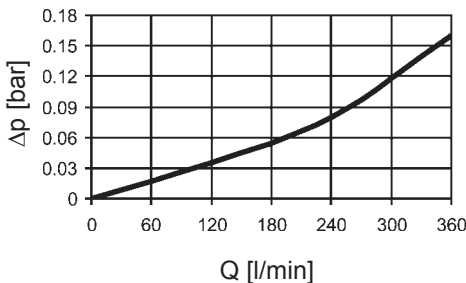
SF 60, 100



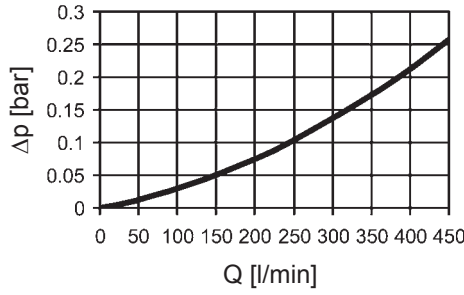
SF 160, 240



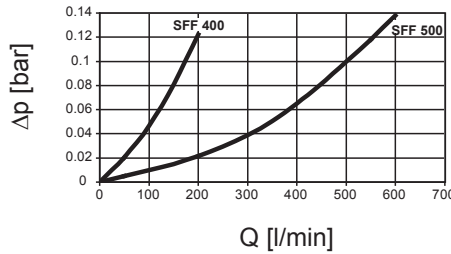
SF 330



SFM 330



SFF 400, 500

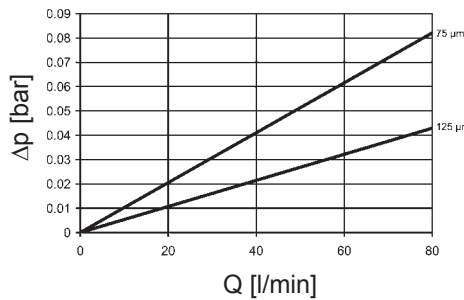


4.2 GRADIENT COEFFICIENTS (SK) FOR FILTER ELEMENTS (FOR SF/SFM/SFF FILTERS)

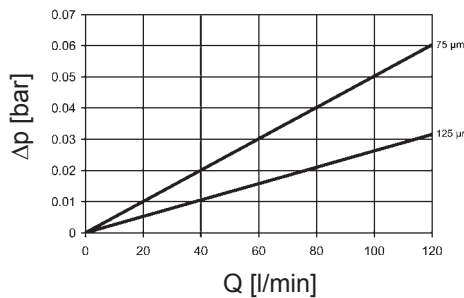
The gradient coefficients in mbar/(l/min) apply to mineral oils with a kinematic viscosity of 30 mm²/s. The pressure drop changes proportionally to the change in viscosity.

RS	W	
	75 μm	125 μm
60	1.03	0.54
110	0.52	0.26
160	0.36	0.19
240	0.25	0.13
330	0.19	0.10
400	0.20	0.16
500	0.20	0.16

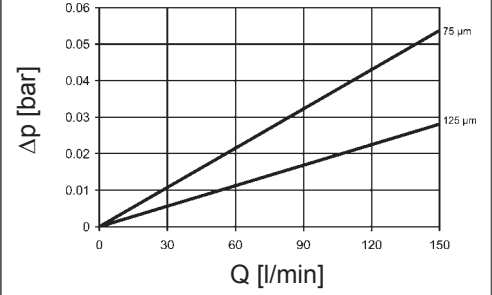
60 W



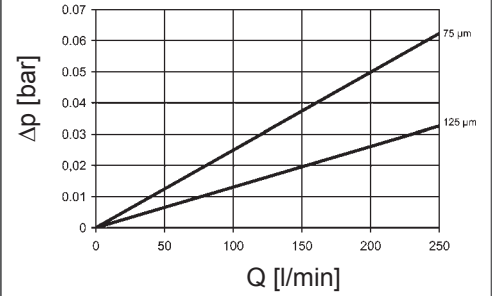
110 W



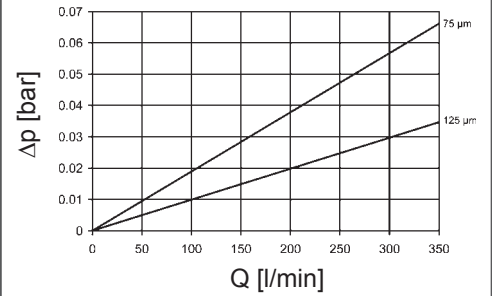
160 W



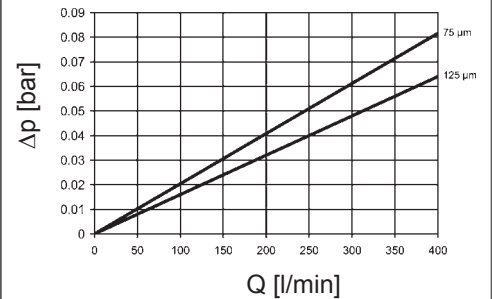
240 W



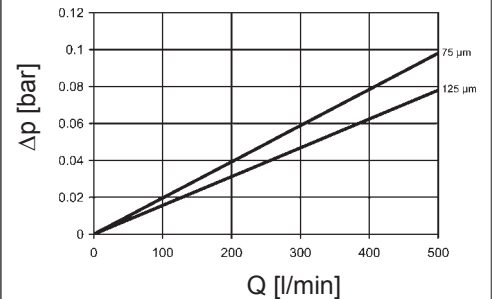
330 W



400 W

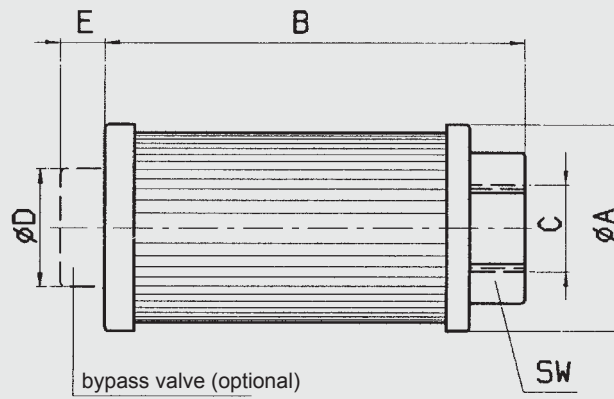


500 W



5. DIMENSIONS

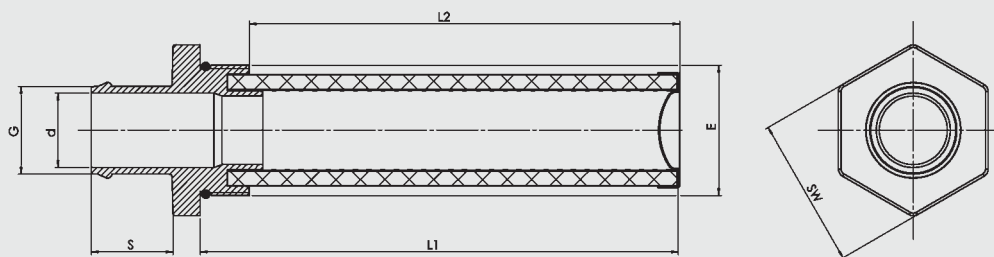
Suction filter element S



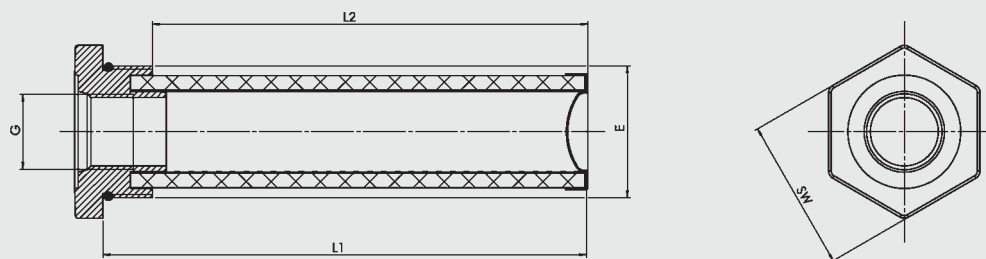
Types	A	B	C	D (ISO 228)	E	SW	Flow rate l/min
0015 S	44	104	G 1/2	24	10.5	30	15
0025 S	63	127	G 3/4	36	13.5	46	25
0050 S	63	159	G 1	36	13.5	46	50
0100 S	86	210	G 1 1/2	46	18.5	69	100
0180 S	86.5	311	G 2	46	18.5	69	180

Suction filter element S.. for mounting on the outside of tank

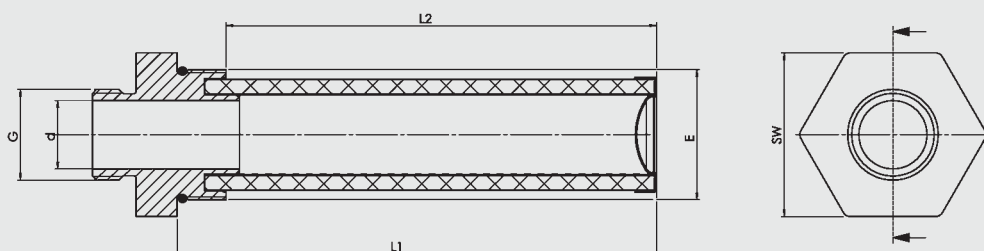
Type SHB



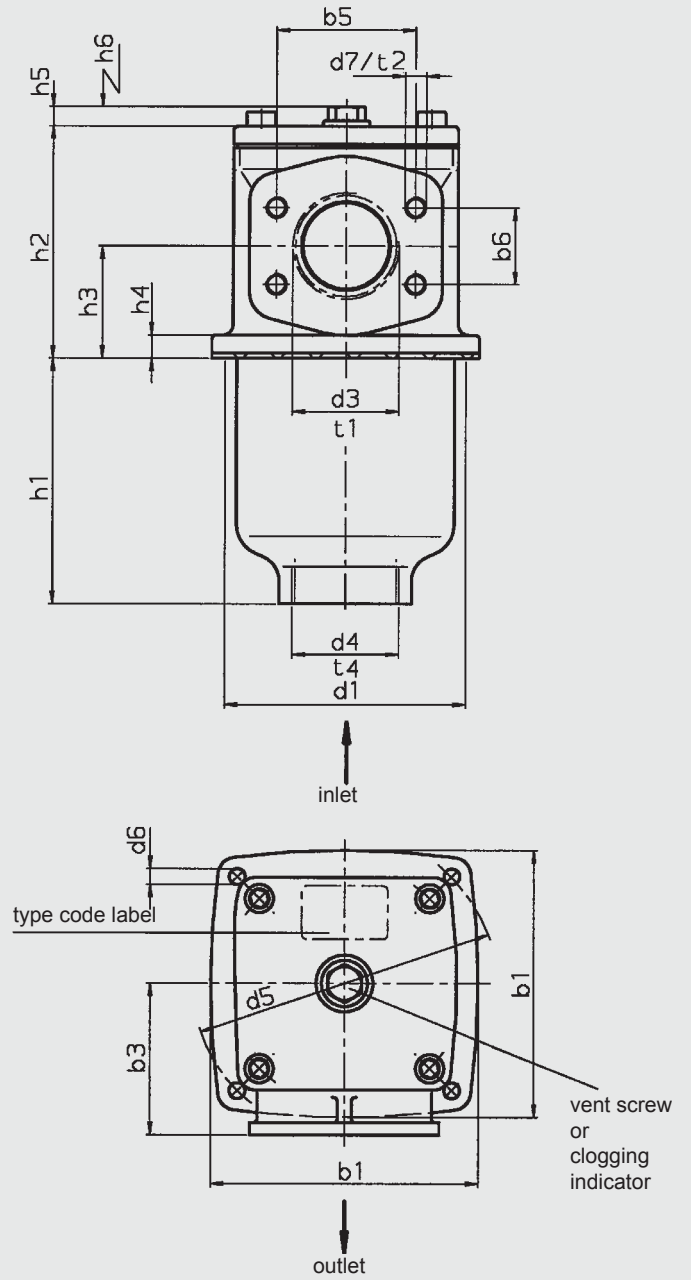
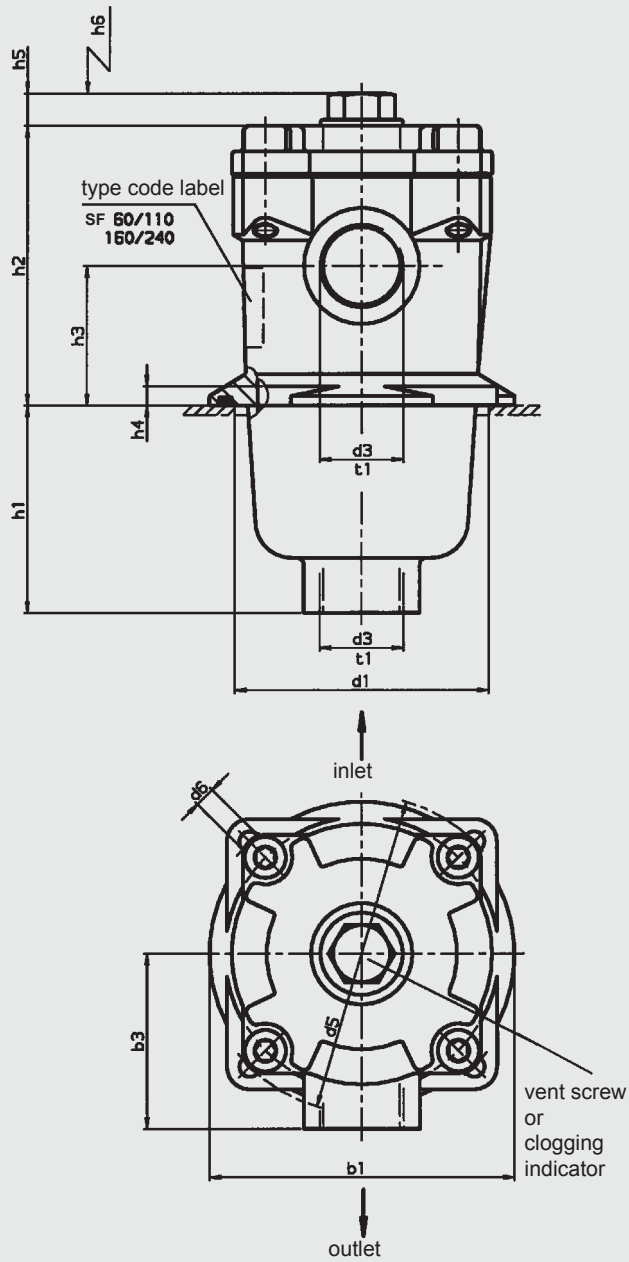
Type SUI



Type SGx

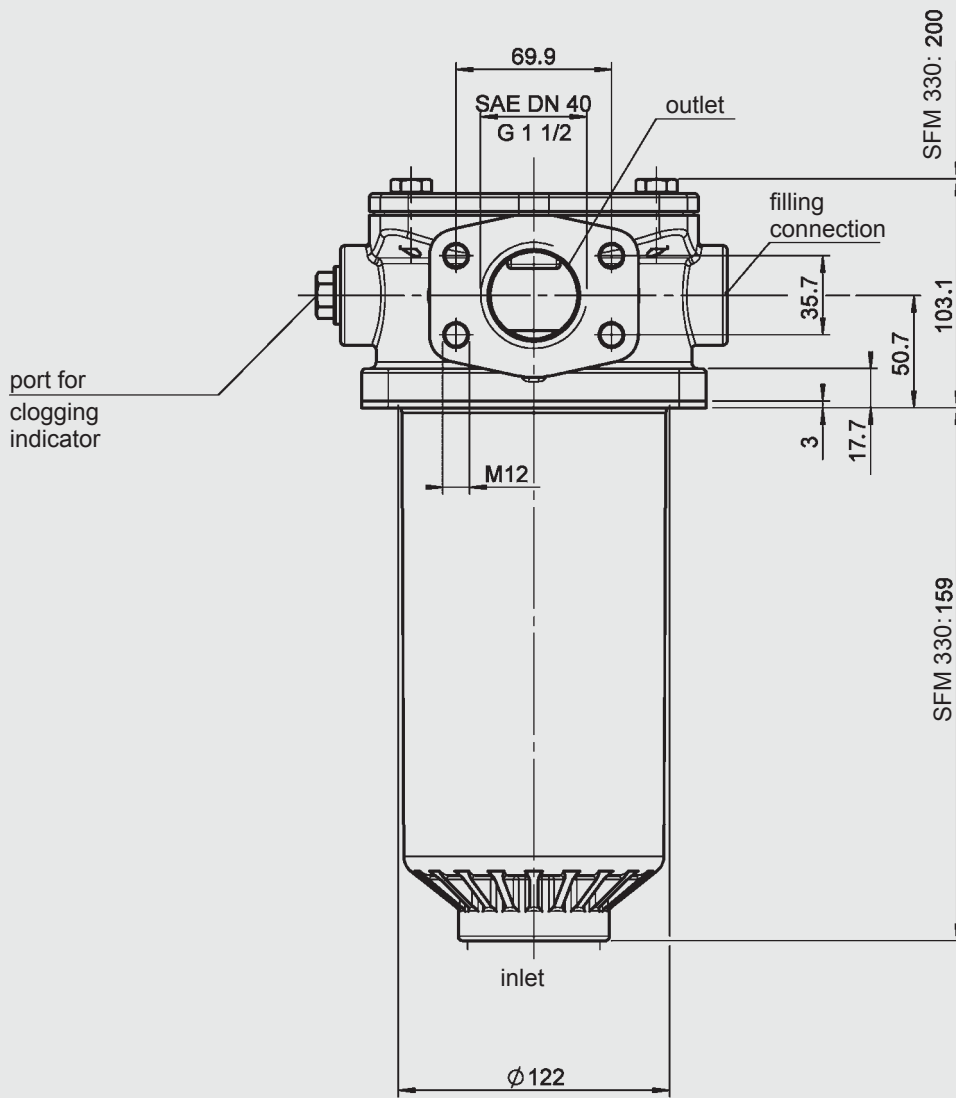


Designation	G	E	d	L1	L2	SW
0110 SHB 125 W	38.1	2 1/2-12 UN 2 B	32	176	158	70
0070 SHB 125 W	32.0	1 7/8-12 UNF	25	176	158	55
0060 SHB 125 W	32.0	1 7/8-12 UNF	25	143	125	55
0070 SUI 125 W	1 1/16-12 UN	1 7/8-12 UNF	-	176	158	55
0060 SUI 125 W	1 1/16-12 UN	1 7/8-12 UNF	-	143	125	55
0110 SGF 125 W	G 1 1/2	2 1/2-12 UN 2 B	34	176	158	70
0070 SGD 125 W	G 1	2 1/2-12 UN 2 B	25	176	158	60
0040 SGC 125 W	G 3/4	1 7/8-12 UNF	20	143	125	55

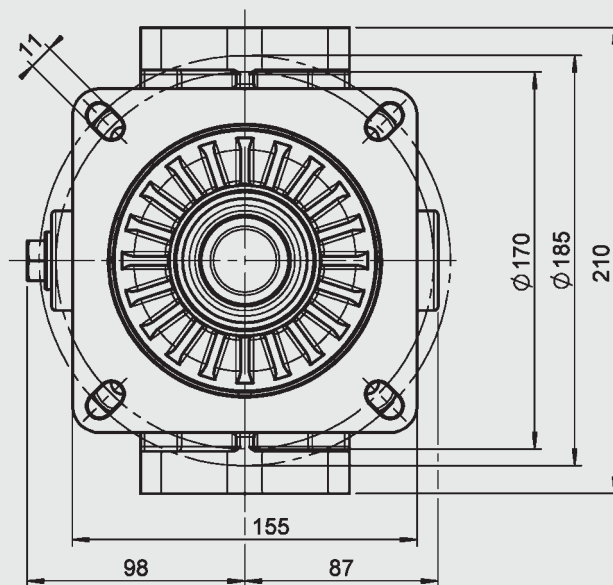


SF	b1	b3	b5	b6	d1	d3 ¹⁾	d4	d5	d6 ²⁾	d7	h1	h2	h3	h4	h5	h6	t1	t2	t4	Weight incl. element [kg]	Volume of pressure chamber [l]
60	96	55	-	-	80	G 3/4	-	100	M5	-	63	88	44	6	12	80	17	-	-	0.9	0.4
110	96	55	-	-	80	G 3/4	-	100	M5	-	130	88	44	6	12	145	17	-	-	1.1	0.6
160	126	72	-	-	106	G 1 1/4	-	135	M6	-	89	108	54	6	12	120	20	-	-	1.8	1.0
240	126	72	-	-	106	G 1 1/4	-	135	M6	-	150	108	54	6	12	180	20	-	-	2.2	1.4
330	150	85	-	-	135	G2 SAE DN 50	G2	170	M8	-	138	131	63	13	12	180	27	-	27	4.1	2.0
			77.8	42.9																	

¹⁾ Threaded port to ISO 228 / ²⁾ Mounting hole for screw

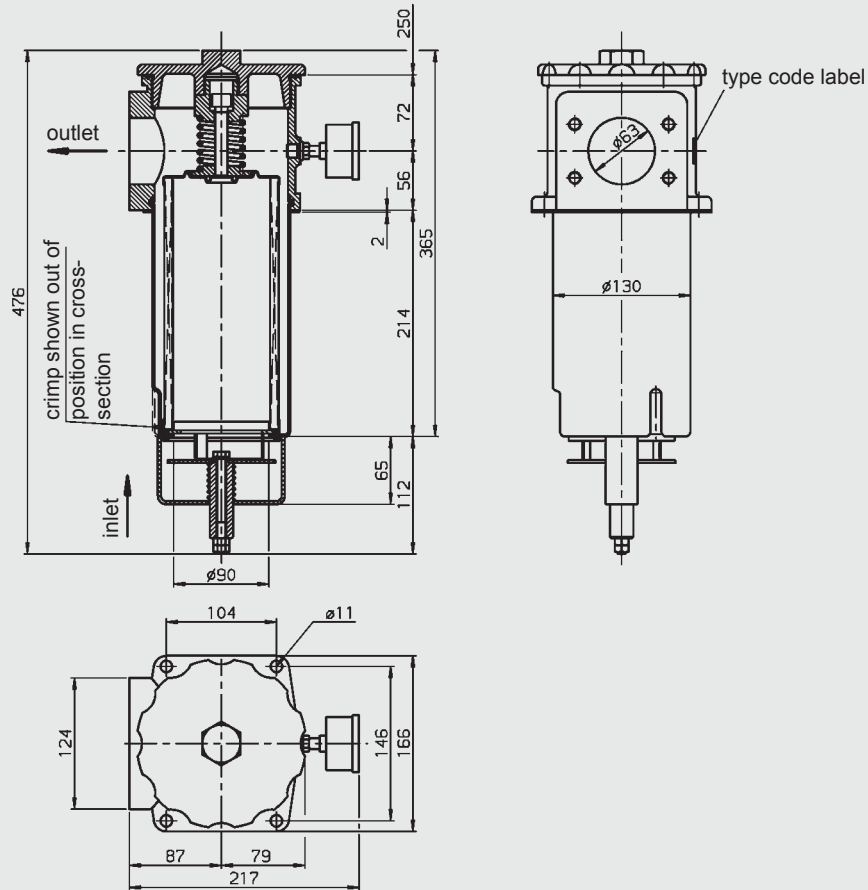


View from below

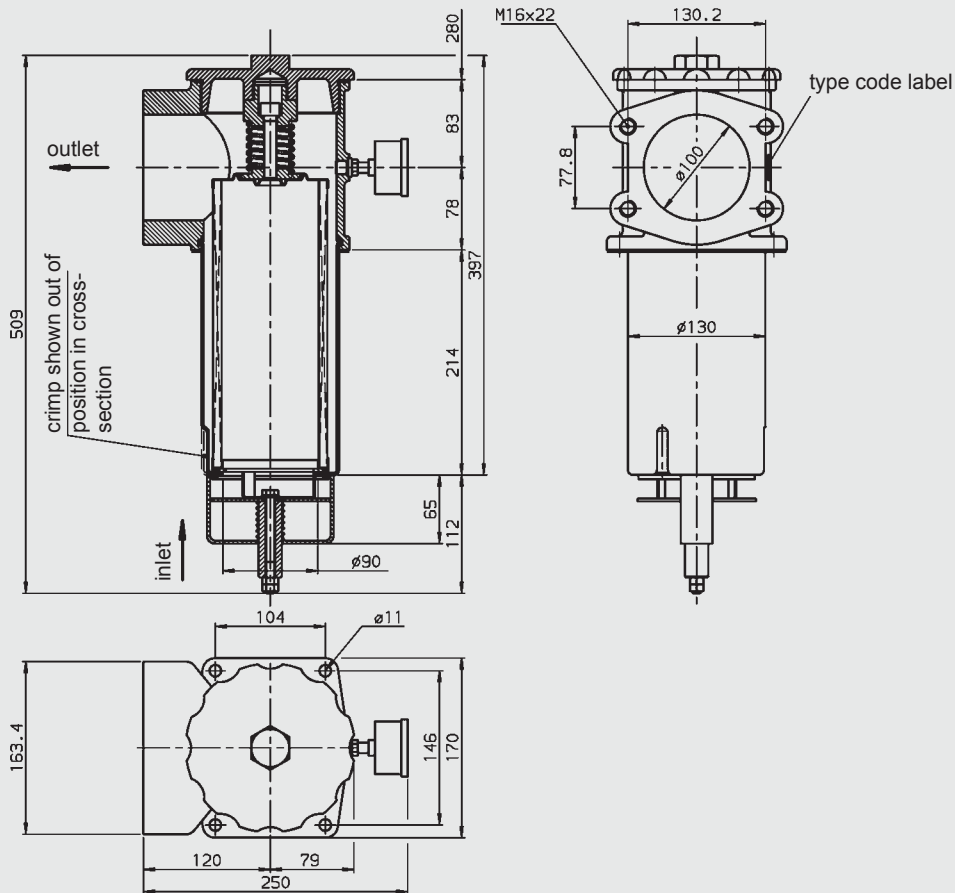


SFM	Weight incl. element [kg]	Volume of pressure chamber [l]
330	3.9	2.0

SFF 400



SFF 500



SFF	Volume of pressure chamber [l]
400	4.23
500	4.63

NOTE

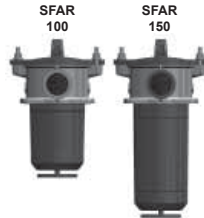
The information in this brochure relates to the operating conditions and applications described. For applications or operating conditions not described, please contact the relevant technical department. Subject to technical modifications.

HYDAC FILTERTECHNIK GMBH
 Industriegebiet
D-66280 Sulzbach/Saar, Germany
 Tel.: 0 68 97 / 509-01
 Fax: 0 68 97 / 509-300
 Internet: www.hydac.com
 E-mail: filter@hydac.com



Suction Filter SFAR

Element flow direction from in to out
up to 150 l/min



1. TECHNICAL SPECIFICATIONS

1.1 FILTER HOUSING

Construction

The filter housings are designed in accordance with international regulations. They consist of a cover plate, filter head and housing tube. The element is top-removable.

These filters can be installed horizontally below the oil level.

Standard equipment:

- mounting holes on the filter head
- magnetic core built into cover plate
- foot valve
- connection for a clogging indicator in filter head

1.2 FILTER ELEMENTS

HYDAC filter elements are validated and their quality is constantly monitored according to the following standards:

- ISO 2941
- ISO 2942
- ISO 2943
- ISO 3724
- ISO 3968
- ISO 11170
- ISO 16889

Contamination retention capacities in g

	Polyester (PE)
SFAR	10 µm (nominal)
100	70.4
150	105.6

Filter elements are available with the following pressure stability values:

Polyester (PE):	6 bar
Wire mesh (WR):	6 bar

Other filtration ratings on request.

1.3 FILTER SPECIFICATIONS

Temperature range	-30 °C to +100 °C
Material of housing tube	PA6 – GF30
Material of filter head	Die-casting EN AC 43300 - F
Material of cover plate	PA6 – GF30
Type of clogging indicator	VMFR – Connection thread G 1/8
Pressure setting of the clogging indicator	-0.25 bar (others on request)

1.4 SEALS

NBR (= Perbunan)

1.5 INSTALLATION

Tank-top filter

1.6 SPECIAL MODELS AND ACCESSORIES

- without port, no clogging indicator
- without magnetic core

1.7 SPARE PARTS

See Original Spare Parts List

1.8 CERTIFICATES AND APPROVALS

Test certificate 2.2
Other approvals on request

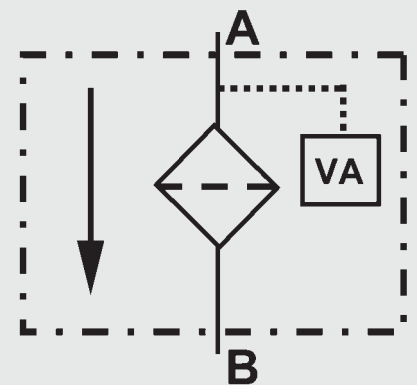
1.9 COMPATIBILITY WITH HYDRAULIC FLUIDS ISO 2943

- Hydraulic oils H to HLPD DIN 51524
- Lubrication oils DIN 51517, API, ACEA, DIN 51515, ISO 6743
- Compressor oils DIN 51506
- Biodegradable operating fluids VDMA 24568 HETG, HEES, HEPG

1.10 IMPORTANT INFORMATION

- Filter housings must be earthed.
- When using electrical clogging indicators, the electrical power supply to the system must be switched off before removing the clogging indicator connector.

Symbol for hydraulic systems



VA = clogging indicator

2. MODEL CODE (also order example)

SFAR PE 100 W E 10 W 1.0 /-V

2.1 COMPLETE FILTER

Filter type _____

SFAR

Filter material _____

PE Polyester
WR Wire mesh

Size of filter or element _____

SFAR: 100, 150

Operating pressure _____

W suction operation

Type and size of connection _____

Type	Connection type	Filter size	
		100	150
E	G 1 1/4	●	●

Filtration rating in µm _____

PE : 10
WR : 100

Type of clogging indicator _____

W without port, no clogging indicator
A steel blanking plug in indicator port
UE vacuum gauge
UF vacuum switch] for other clogging indicators
] see brochure no. 7.050../..

Type code _____

0 without indicator port, no clogging indicator
1-4 see Point 2.4

Modification number _____

X the latest version is always supplied

Supplementary details _____

V FPM seals
OM without magnetic core

2.2 REPLACEMENT ELEMENT

0100 RS 010 PE /-V

Size _____

0100, 0150

Type _____

RS

Filtration rating in µm _____

PE : 010
WR : 100

Filter material _____

PE, WR

Supplementary details _____

V (for descriptions, see point 2.1)

2.3 REPLACEMENT CLOGGING INDICATOR

VMFR 0.25 UE . X /-V

Type _____

VMFR connection thread G 1/8

Pressure setting _____

0.25 0.25 bar (standard)

Type of clogging indicator _____

(see Point 2.1)

Modification number _____

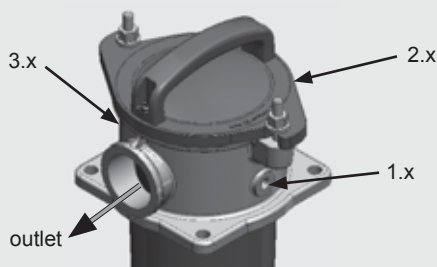
X the latest version is always supplied

Supplementary details _____

V (for descriptions, see point 2.1)

2.4 TYPE CODE

Type code	Mounting position of clogging indicator
1.x	To right of filter outlet
2.x	Opposite filter outlet
3.x	To left of filter outlet
4.x	All positions drilled and with blanking plug in ports

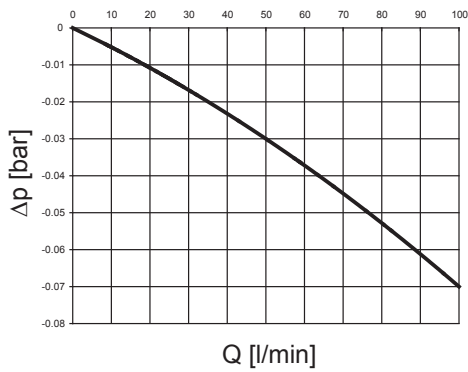


3. FILTER CALCULATION / SIZING

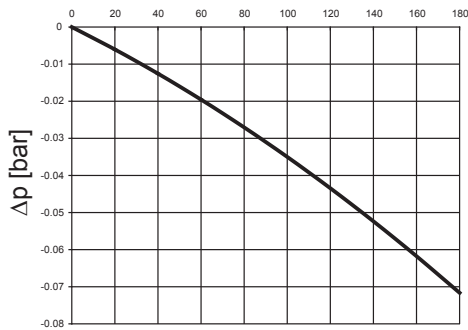
3.1 GRAPHS FOR COMPLETE FILTER

The curves for complete filters apply to mineral oil with a density of 0.86 kg/dm³ and a kinematic viscosity of 30mm²/s.

SFAR 100: PE

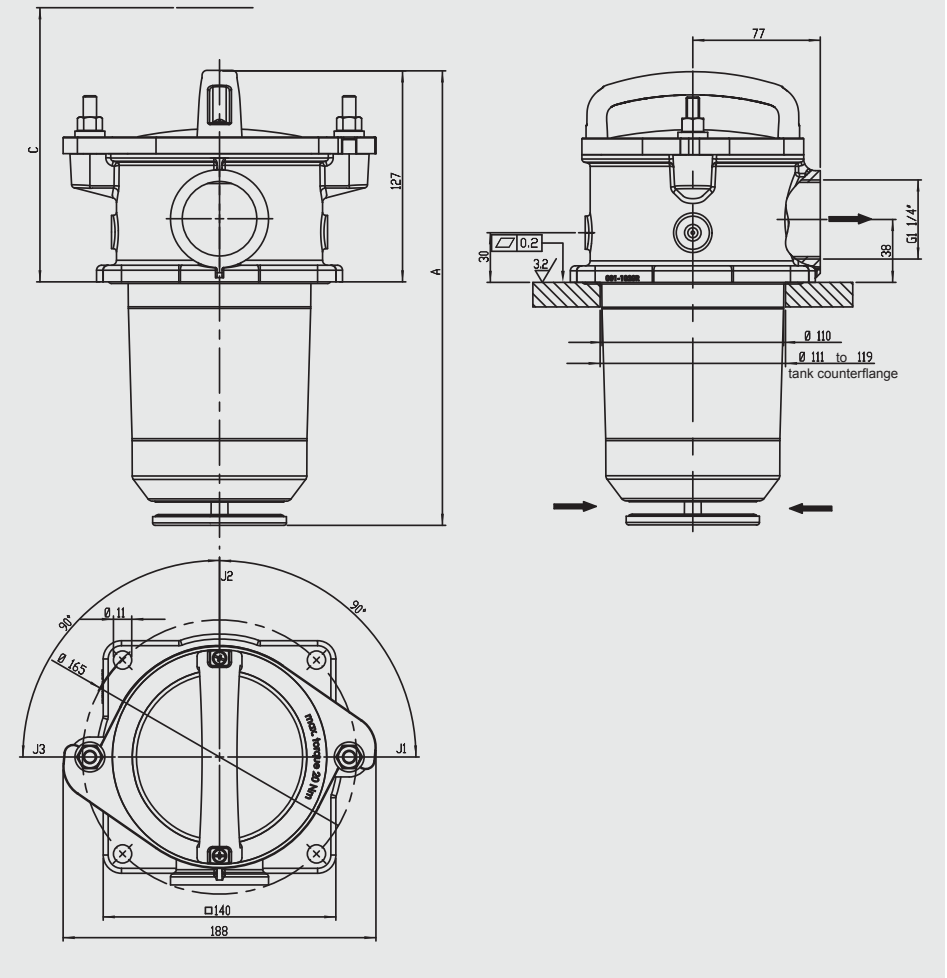


SFAR 150: PE



4. DIMENSIONS

SFAR 100 – 150

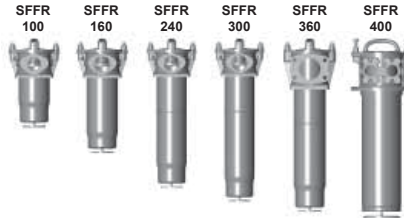


Type	A	C	Weight incl. element [kg]
SFAR 100	274	250	1.8
SFAR 150	354	330	2.1



Suction Filter SFFR

Element flow direction from in to out
up to 400 l/min



1. TECHNICAL SPECIFICATIONS

1.1 FILTER HOUSING Construction

The filter housings are designed in accordance with international regulations. They consist of a cover plate, filter head and housing tube. The element is top-removable.

These filters can be installed horizontally below the oil level.

Standard equipment:

- mounting holes on the filter head
- magnetic core built into cover plate
- foot valve

1.2 FILTER ELEMENTS

HYDAC filter elements are validated and their quality is constantly monitored according to the following standards:

- ISO 2941
- ISO 2942
- ISO 2943
- ISO 3724
- ISO 3968
- ISO 11170
- ISO 16889

Contamination retention capacities in g

	Polyester (PE)
SFFR	10 µm (nominal)
100	70.4
160	112.0
240	163.2
300	198.4
360	211.2
400	224.0

Filter elements are available with the following pressure stability values:

Polyester (PE): 6 bar
Wire mesh (WR): 6 bar

Other filtration ratings on request.

1.3 FILTER SPECIFICATIONS

Temperature range	-30 °C to +120 °C
Material of housing tube	Steel
Material of filter head	Aluminium
Material of cover plate	Aluminium
Type of clogging indicator	VMFR – Connection thread G 1/8
Pressure setting of the clogging indicator	-0.25 bar (others on request)

1.4 SEALS

NBR (= Perbunan)

1.5 INSTALLATION

Tank-top

1.6 SPECIAL MODELS AND ACCESSORIES

- connection for a clogging indicator in filter head
- without magnetic core

1.7 SPARE PARTS

See Original Spare Parts List

1.8 CERTIFICATES AND APPROVALS

Test certificate 2.2
Other approvals on request

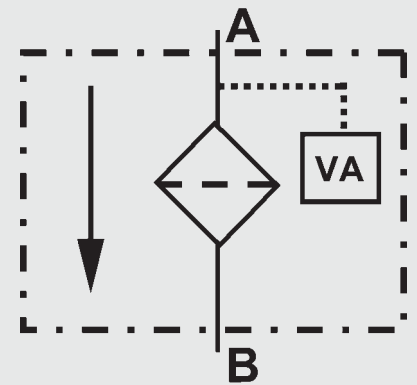
1.9 COMPATIBILITY WITH HYDRAULIC FLUIDS ISO 2943

- Hydraulic oils H to HLPD DIN 51524
- Lubrication oils DIN 51517, API, ACEA, DIN 51515, ISO 6743
- Compressor oils DIN 51506
- Operating fluids with high water content (>50% water content) on request

1.10 IMPORTANT INFORMATION

- Filter housings must be earthed.
- When using electrical clogging indicators, the electrical power supply to the system must be switched off before removing the clogging indicator connector.

Symbol for hydraulic systems



VA = clogging indicator

2. MODEL CODE (also order example)

SFFR PE 160 W F 10 W 1.0 /-V

2.1 COMPLETE FILTER

Filter type _____

SFFR

Filter material _____

PE Polyester
WR Wire mesh

Size of filter or element _____

SFFR: 100, 160, 240, 300, 360, 400

Operating pressure _____

W suction operation

Type and size of connection _____

Type	Connection	Filter size					
		100	160	240	300	360	400
D	G 1 + G1	●	●	●	●		
F	G 1½	●	●				
G	G 2			●	●		
I	M33 x 2 + M33 x 2	●	●	●	●		
J	M48 x 2 + M48 x 2 + G2						●
L	SAE DN 50	●	●	●	●		
N	SAE DN 80					●	

Filtration rating in µm _____

PE : 10
WR : 25, 40, 60

Type of clogging indicator _____

W without port, no clogging indicator
A steel blanking plug in indicator port
UE vacuum gauge
UF vacuum switch

for other clogging indicators
see brochure no. 7.050../..

Type code _____

0 without indicator port, no clogging indicator
1-4 see Point 2.4

Modification number _____

X the latest version is always supplied

Supplementary details _____

V FPM seals
OM without magnetic core

2.2 REPLACEMENT ELEMENT

0160 RS 010 PE /-V

Size _____

0100, 0160, 0240, 0300, 0360, 0400

Type _____

RS

Filtration rating in µm _____

PE : 010
WR : 025, 040, 060

Filter material _____

PE, WR

Supplementary details _____

V (for descriptions, see point 2.1)

2.3 REPLACEMENT CLOGGING INDICATOR

VMFR 0.25 UE . X /-V

Type _____

VMFR connection thread G 1/8

Pressure setting _____

0.25 0.25 bar (standard)

Type of clogging indicator see Point 2.1 _____

Modification number _____

X the latest version is always supplied

Supplementary details _____

V (for descriptions, see point 2.1)

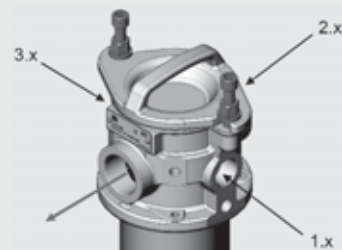
2.4 TYPE CODE

Type code

1.x
2.x
3.x
4.x

Mounting position of clogging indicator

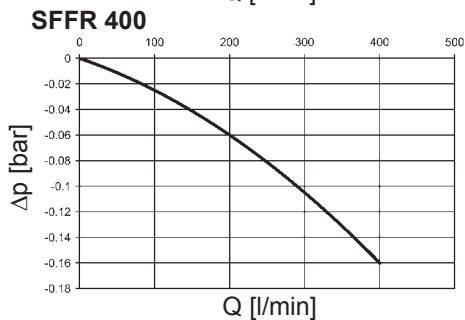
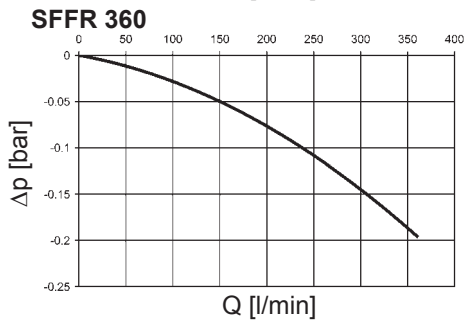
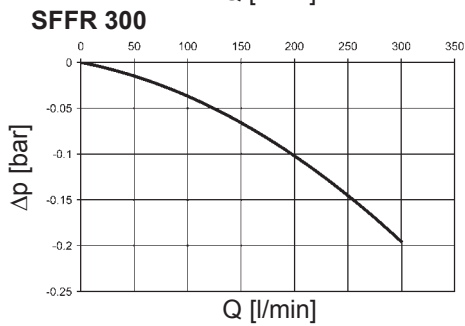
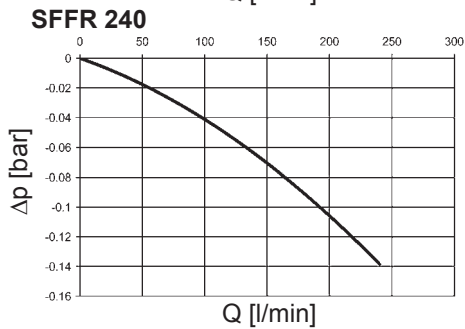
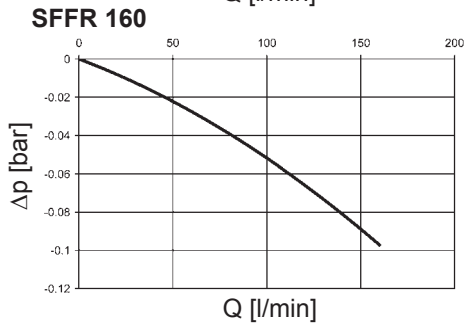
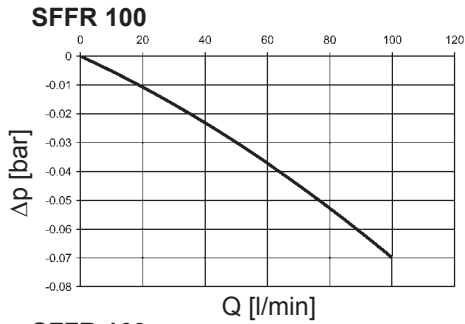
To right of filter outlet
Opposite filter outlet
To left of filter outlet
All positions drilled and with blanking plug in ports



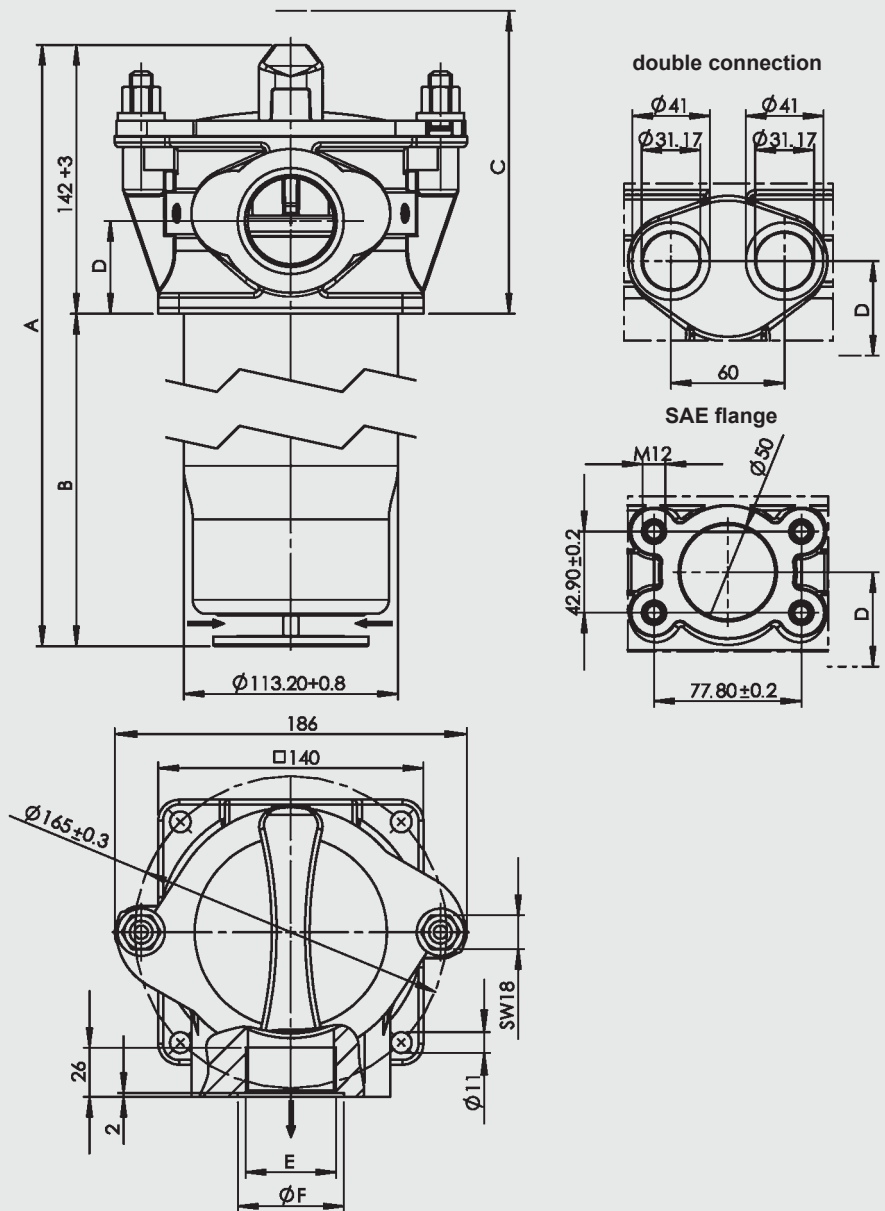
3. FILTER CALCULATION / SIZING

3.1 GRAPHS FOR COMPLETE FILTER

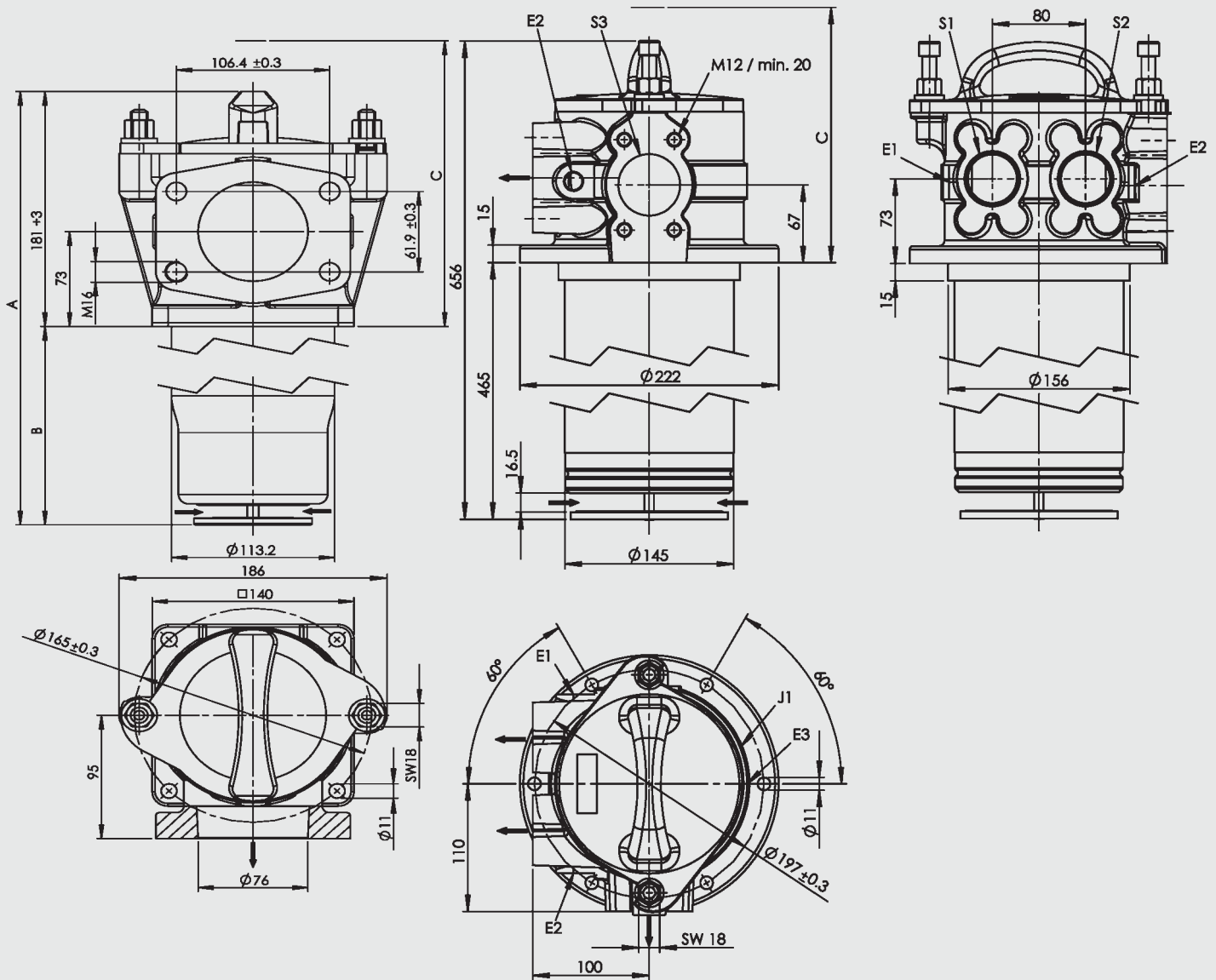
The curves for complete filters apply to mineral oil with a density of 0.86 kg/dm³ and a kinematic viscosity of 30mm²/s.



4. DIMENSIONS



Type	Connection	A	B	C	D	Weight incl. element [kg]
SFFR 100	G 1 (2x)	321	179	375	53	3.4
	G 1½				49	
	M33 x 2 (2x)				53	
	SAE DN 50				49	
SFFR 160	G 1 (2x)	416	274	375	53	4.1
	G 1½				49	
	M33 x 2 (2x)				53	
	SAE DN 50				49	
SFFR 240	G 1 (2x)	558	415	670	53	4.9
	G 2				49	
	M33 x 2 (2x)				53	
	SAE DN 50				49	
SFFR 300	G 1 (2x)	614	471	670	53	5.3
	G 2				49	
	M33 x 2 (2x)				53	
	SAE DN 50				49	



Type	Connection	A	B	C	Weight incl. element [kg]
SFFR 360	SAE DN 80	613	431	680	7.6
SFFR 400	M48x2 (S1); M48x2 (S2); G2 (S3)	-	-	730	14.3

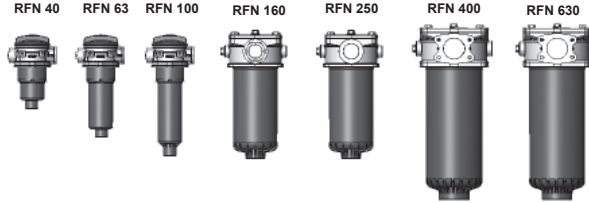
NOTE

The information in this brochure relates to the operating conditions and applications described. For applications and operating conditions not described, please contact the relevant technical department. Subject to technical modifications.

HYDAC FILTERTECHNIK GMBH
 Industriegebiet
D-66280 Sulzbach/Saar, Germany
 Tel.: 0 68 97 / 509-01
 Fax: 0 68 97 / 509-300
 Internet: www.hydac.com
 E-mail: filter@hydac.com



Tank-Top Return Line Filter RFN with Elements to DIN 24550 up to 630 l/min, up to 10 bar



1. TECHNICAL SPECIFICATIONS

1.1 FILTER HOUSING

Construction

The filter housings are designed in accordance with international regulations. They consist of a filter head, filter bowl and a screw-on or bolt-on cover plate.

Standard equipment:

- bypass valve
- connection for a clogging indicator

1.2 FILTER ELEMENTS

HYDAC filter elements are validated and their quality is constantly monitored according to the following standards:

- ISO 2941
- ISO 2942
- ISO 2943
- ISO 3724
- ISO 3968
- ISO 11170
- ISO 16889

Contamination retention capacities in g

RFN	Betamicon BN4HC			
	3 µm	6 µm	10 µm	25 µm
40	7.1	8.0	8.9	10.6
63	13.0	14.7	16.3	19.6
100	22.0	24.7	27.5	33.0
160	36.2	40.7	45.3	54.2
250	61.4	69.1	76.8	92.1
400	88.2	99.2	110.2	132.3
630	148.6	167.3	185.8	222.9

Filter elements are available with the following pressure stability values:
Betamicon® (BN4HC): 20 bar

1.3 FILTER SPECIFICATIONS

Nominal pressure	10 bar
Temperature range	-10 °C to +100 °C
Material of filter head	Aluminium
Material of filter bowl	Polyamide
Material of cover plate	Polyamide (RFN 40 to 100) Aluminium (RFN 160 to 630)
Type of clogging indicator	VR Connection thread G 1/2 VMF Connection thread G 1/8
Pressure setting of the clogging indicator	2.5 bar (others on request)
Bypass cracking pressure	3.5 bar (others on request)

1.4 SEALS

NBR (= Perbunan)

1.5 INSTALLATION

Tank-top filter

1.6 SPECIAL MODELS AND ACCESSORIES

On request

1.7 SPARE PARTS

See Original Spare Parts List

1.8 CERTIFICATES AND APPROVALS

On request

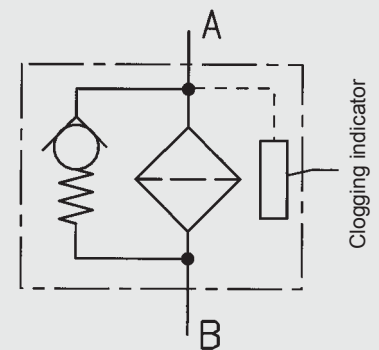
1.9 COMPATIBILITY WITH HYDRAULIC FLUIDS ISO 2943

- Hydraulic oils H to HLPD DIN 51524
- Lubrication oils DIN 51517, API, ACEA, DIN 51515, ISO 6743
- Compressor oils DIN 51506
- Biodegradable operating fluids VDMA 24568 HETG, HEES, HEPG
- Fire-resistant fluids HFA, HFB, HFC and HFD
- Operating fluids with high water content (>50% water content) on request

1.10 IMPORTANT INFORMATION

- Filter housings must be earthed.
- When using electrical clogging indicators, the electrical power supply to the system must be switched off before removing the clogging indicator connector.

Symbol for hydraulic systems



2. MODEL CODE (also order example)

RFN BN/HC 250 B F 10 D 1 . X /-L24

2.1 COMPLETE FILTER

Filter type _____

RFN

Filter material of element _____

BN/HC Betamicron® (BN4HC)

Size of filter or element _____

RFN: 40, 63, 100, 160, 250, 400, 630

Operating pressure _____

B = 10 bar

Type and size of port _____

to DIN 24550 (●), possible ports (X)

Type	Connection	Filter size						
		40	63	100	160	250	400	630
B	G ½	●	X	X				
C	G ¾	X	●	X				
D	G 1	X	X	●				
E	G1 ¼				●	X		
F	G1 ½				X	●		
M	DN 64						X	●

Filtration rating in µm _____

BN/HC: 3, 6, 10, 25

Type of clogging indicator _____

Y plastic blanking plug in indicator port

A steel blanking plug in indicator port

B visual

C electrical

D visual and electrical

LZ visual-mechanical / electrical

for other clogging indicators
see brochure no. 7.050../..

Type code _____

1

Modification number _____

X the latest version is always supplied

Supplementary details _____

L... light with appropriate voltage (24V, 48V, 110V, 220V)

LED 2 light emitting diodes up to 24 Volt

AV LZ indicator with plug to AUDI and VW specification

BO LZ indicator with plug and pin connection to BMW and Opel specification (M12x1)

CN LZ indicator with plug to DIN 43651 with 3 LEDs (CNOMO specification)

DB LZ indicator with plug to DIN 43651 with 3 LEDs (Daimler-Benz specification)

D4C LZ indicator with plug and connector to Daimler-Chrysler specification and cold start suppression 30 °C

BO-LED as for BO, but with diode strip

GM LZ indicator with "no element" indicator

30C LZ indicator with temperature limiter (only in conjunction with type DB)

T with tank breather filter (only RFN 40, 63, 100)

BAN filling connection G¾ (from size RFN 160)

Vxxx outlet extension (xxx = corresponding length in mm)

V FPM seals

only for clogging
indicators type D

2.2 REPLACEMENT ELEMENT

0250 RN 010 BN4HC /-V

Size _____

0040, 0063, 0100, 0160, 0250, 0400, 0630

Type _____

RN

Filtration rating in µm _____

BN4HC: 003, 006, 010, 025

Filter material _____

BN4HC

Supplementary details _____

V (for descriptions, see point 2.1)

2.3 REPLACEMENT CLOGGING INDICATOR

VR 2.5 D . X /-L24

Type of clogging indicator _____

VR connection thread G 1/2 (up to RFN 160)

VMF connection thread G 1/8 (only RFN 40, 63, 100)

Pressure setting _____

2.5 standard 2.5 bar, others on request

Type of clogging indicator _____

D (see point 2.1)

Modification number _____

X the latest version is always supplied

Supplementary details _____

L..., LED, V (for descriptions, see point 2.1)

3. FILTER CALCULATION / SIZING

The total pressure drop of a filter at a certain flow rate Q is the sum of the housing Δp and the element Δp and is calculated as follows:

$$\Delta p_{\text{total}} = \Delta p_{\text{housing}} + \Delta p_{\text{element}}$$

$$\Delta p_{\text{housing}} = (\text{see Point 3.1})$$

$$\Delta p_{\text{element}} = Q \cdot \frac{SK^*}{1000} \cdot \frac{\text{viscosity}}{30}$$

(*see point 3.2)

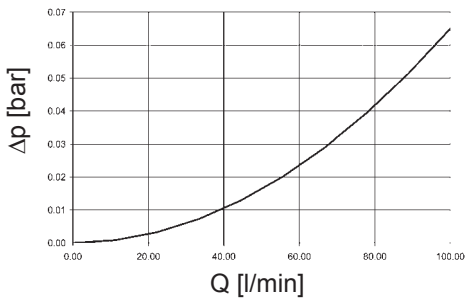
For ease of calculation, our Filter Sizing Program is available on request free of charge.

NEW: Sizing online at www.hydac.com

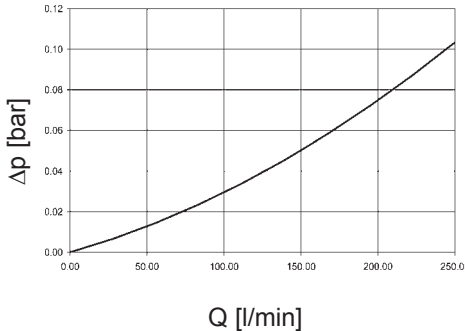
3.1 Δp -Q HOUSING CURVES BASED ON ISO 3968

The housing curves apply to mineral oil with a density of 0.86 kg/dm³ and a kinematic viscosity of 30 mm²/s. In this case, the differential pressure changes proportionally to the density.

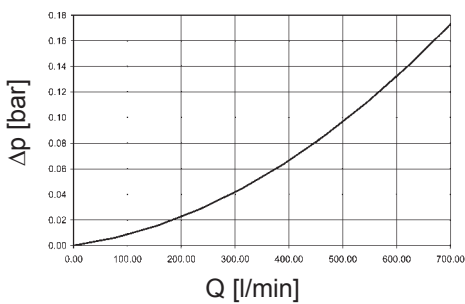
RFN 40/63/100



RFN 160/250



RFN 400/630

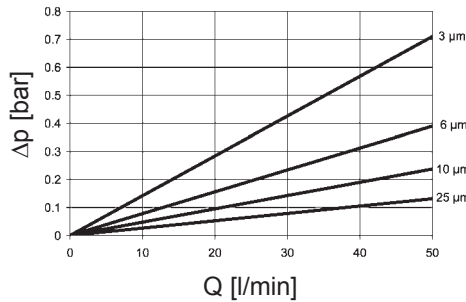


3.2 GRADIENT COEFFICIENTS (SK) FOR FILTER ELEMENTS

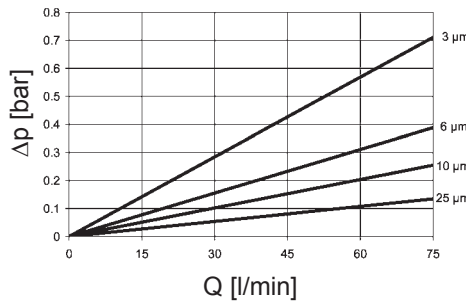
The gradient coefficients in mbar/(l/min) apply to mineral oils with a kinematic viscosity of 30 mm²/s. The pressure drop changes proportionally to the change in viscosity.

RFN	BN4HC			
	3 μm	6 μm	10 μm	25 μm
40	14.2	7.8	4.8	2.6
63	9.5	5.2	3.4	1.8
100	6.8	3.3	2.3	1.2
160	3.6	1.8	1.2	0.5
250	2.8	1.4	0.9	0.4
400	2.2	1.6	1.3	1.0
630	2.1	1.6	1.3	0.9

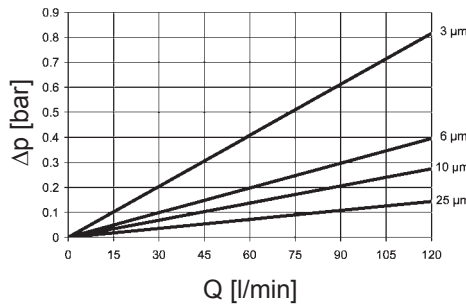
BN4HC: RFN 40



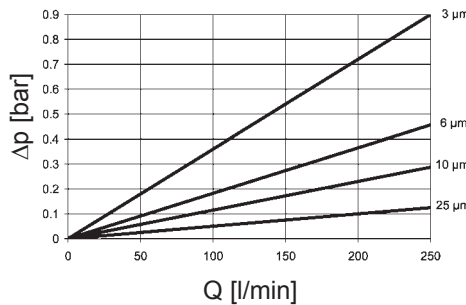
BN4HC: RFN 63



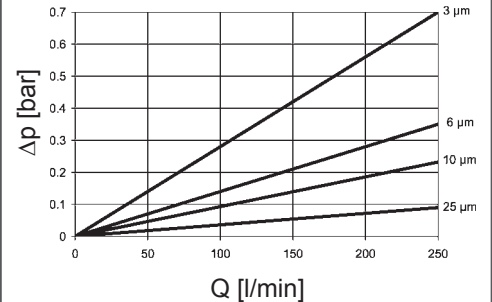
BN4HC: RFN 100



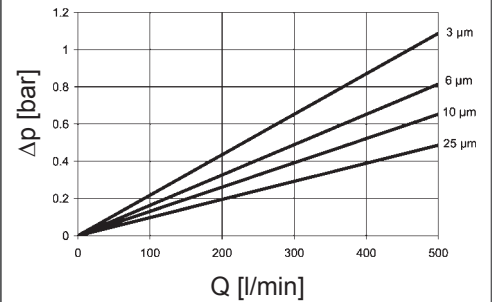
BN4HC: RFN 160



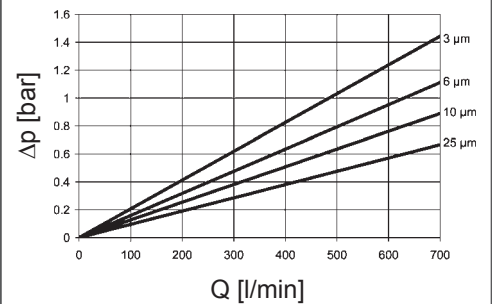
BN4HC: RFN 250



BN4HC: RFN 400

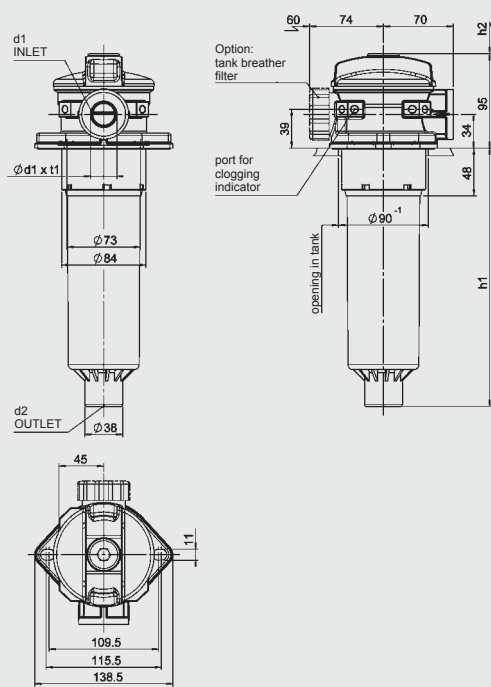


BN4HC: RFN 630

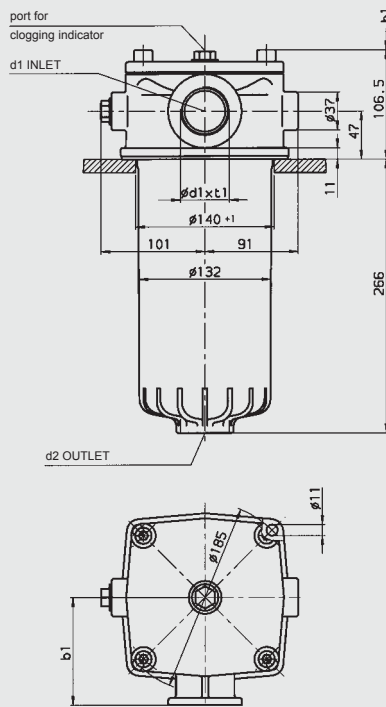


4. DIMENSIONS

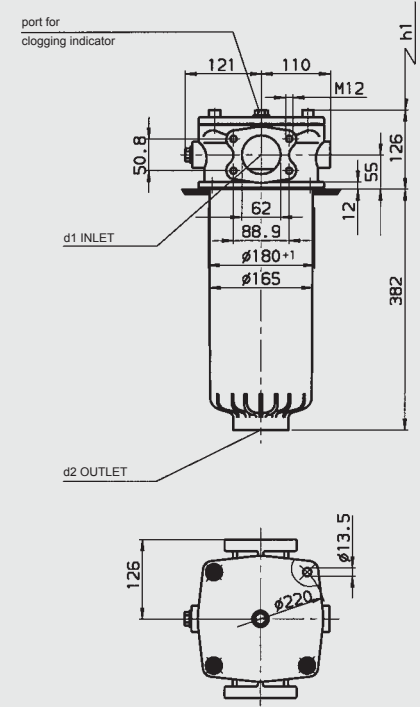
RFN 40, 63, 100



RFN 160, 250



RFN 400, 630



Flange interface / opening in tank to DIN 24550

RFN	d1 Inlet	d2 Outlet	b1	h1	h2	t1 ⁺²	Weight including element [kg]	Volume of pressure chamber [l]
40	G ½	32	70	122	150	14	1.0	0.6
40	G ¾	32	70	122	150	16	1.0	0.6
40	G 1	32	70	122	150	18	1.0	0.6
63	G ½	32	70	206	200	14	1.2	0.9
63	G ¾	32	70	206	200	16	1.2	0.9
63	G 1	32	70	206	200	18	1.2	0.9
100	G ½	32	70	260	290	14	1.3	1.0
100	G ¾	32	70	260	290	16	1.3	1.0
100	G 1	32	70	260	290	18	1.3	1.0
160	G 1¼	G 1½	141	210	-	20	4.6	3.5
160	G 1½	G 1½	105	210	-	22	4.6	3.5
250	G 1¼	G 1½	141	300	-	20	6.0	3.5
250	G 1½	G 1½	105	300	-	22	6.0	3.5
400	DN 64	G 2½	-	270	-	-	9.3	8.0
630	DN 64	G 2½	-	420	-	-	10.0	8.0

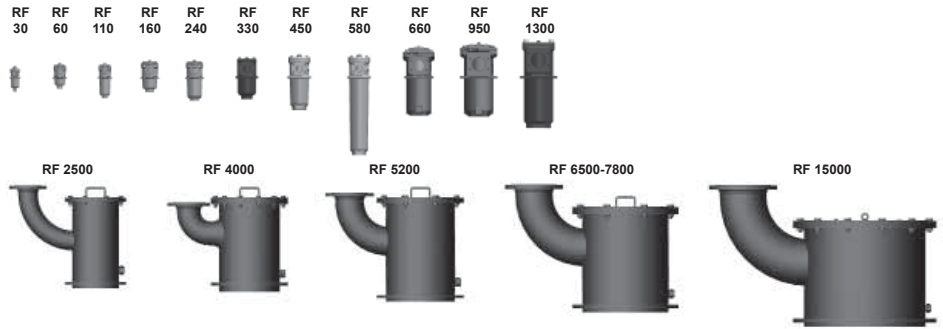
NOTE

The information in this brochure relates to the operating conditions and applications described.
For applications or operating conditions not described, please contact the relevant technical department.
Subject to technical modifications.

HYDAC FILTERTECHNIK GMBH
Industriegebiet
D-66280 Sulzbach/Saar, Germany
Tel.: 0 68 97 / 509-01
Fax: 0 68 97 / 509-300
Internet: www.hydac.com
E-mail: filter@hydac.com



Return Line Filter RF up to 15000 l/min, up to 25 bar



1. TECHNICAL SPECIFICATIONS

1.1 FILTER HOUSING

Construction

The filter housings are designed in accordance with international regulations. They consist of a filter housing and a threaded cover plate. Standard equipment:

- with bypass valve in the element. For RF 450/580 the bypass valve is built into the cover plate as standard.
- connection for a clogging indicator

1.2 FILTER ELEMENTS

HYDAC filter elements are validated and their quality is constantly monitored according to the following standards:

- ISO 2941
- ISO 2942
- ISO 2943
- ISO 3724
- ISO 3968
- ISO 11170
- ISO 16889

Contamination retention capacities in g

		Betamicon® (BN4HC)			
RF	Elements	3 µm	5 µm	10 µm	20 µm
30	1x0030R	2.6	2.9	3.5	4.0
60	1x0060R	5.7	6.3	7.6	8.6
110	1x0110R	12.0	13.3	16.0	18.1
160	1x0160R	18.6	20.7	24.9	28.1
240	1x0240R	29.3	32.5	39.1	44.2
330	1x0330R	38.4	42.6	51.2	57.9
450	1x0450R	49.1	54.4	65.5	74.1
580	1x0580R	124.7	138.2	166.3	188.1
660	1x0660R	87.1	96.5	116.1	131.3
950	1x0950R	130.0	144.1	173.3	196.1
1300	1x1300R	181.0	200.7	241.4	273.1
2500	3x0850R	336.3	372.6	448.5	507.3
4000	5x0850R	560.5	621.0	747.5	845.5
5200	4x1300R	724.0	802.8	965.6	1092.4
6500	5x1300R	905.0	1003.5	1207.0	1365.5
7800	6x1300R	1086.0	1204.2	1448.4	1638.6
15000	10x1300R	1810.0	2007.0	2414.0	2731.0

Filter elements are available with the following pressure stability values:

Betamicon® (BN4HC):	20 bar
Paper (P/HC):	10 bar
Wire mesh (W/HC):	20 bar
Stainless steel fibre (V):	210 bar
Betamicon®/Aquamicron® (BN4AM):	10 bar
Aquamicron® (AM):	10 bar

1.3 FILTER SPECIFICATIONS

Nominal pressure	RF 30, 2500 to 15000: 10 bar	RF 450 and 580: 16 bar	RF 60 to 1300: 25 bar
Temperature range	-10 °C to +100 °C		
Material of filter housing and cover plate	RF 30: PA 66	RF 60 to 580: Aluminium	RF 660 to 1300: EN-GJS-400-15
	RF 2500 to 15000: Welded steel		
Type of clogging indicator	VR Connection thread G ½ (return line indicator up to 25 bar operating pressure)		
	VM Differential pressure indicator only for RF 450 and 580		
Pressure setting of clogging indicator	2 bar (others on request)		
Bypass cracking pressure	3 bar (others on request)		

1.4 SEALS

NBR (= Perbunan)

1.5 INSTALLATION

As tank-top or inline filter. RF 450 and 580 are also suitable for horizontal installation (with check valve).

1.6 SPECIAL MODELS AND ACCESSORIES

On request

1.7 SPARE PARTS

See Original Spare Parts List

1.8 CERTIFICATES AND APPROVALS

On request

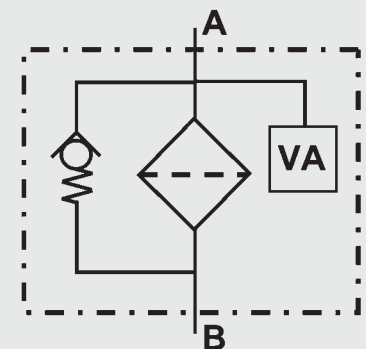
1.9 COMPATIBILITY WITH HYDRAULIC FLUIDS ISO 2943

- Hydraulic oils H to HLPD DIN 51524
- Lubrication oils DIN 51517, API, ACEA, DIN 51515, ISO 6743
- Compressor oils DIN 51506
- Biodegradable operating fluids VDMA 24568 HETG, HEES, HEPG
- Fire-resistant fluids HFA, HFB, HFC and HFD
- Operating fluids with high water content (>50% water content) on request

1.10 IMPORTANT INFORMATION

- Filter housings must be earthed.
- When using electrical clogging indicators, the electrical power supply to the system must be switched off before removing the clogging indicator connector.
- Filters must be flexibly mounted and not fixed rigidly to the floor or used as a pipe support.

Symbol for hydraulic systems



VA = clogging indicator

2. MODEL CODE (also order example)

RF BN/HC 330 D L 10 D 1 . X /-L24

2.1 COMPLETE FILTER

Filter type _____

RF

Filter material of filter element _____

BN/HC Betamicon® (BN4HC) P/HC Paper AM Aquamicon®
 V Stainless steel fibre W/HC Stainl. steel wire mesh BN/AM Betamicon®/Aquamicon®

Size of filter or element _____

RF: 30, 60, 110, 160, 240, 330, 450, 580, 660, 950, 1300, 2500, 4000, 5200, 6500, 7800, 15000

Operating pressure _____

B = 10 bar (RF 30, 2500 to 15000)

C = 16 bar (RF 450, 580)

D = 25 bar (RF 60 to 1300)

Type and size of connection _____

Type	Port	Filter size																
		30	60	110	160	240	330	450	580	660	950	1300	2500	4000	5200	6500	7800	15000
B	G 1/2	•																
C	G 3/4		•	•														
E	G 1 1/4			•	•													
G	G 2						•											
L	SAE DN 50 (2")						•	•	•									
M	SAE DN 80 (3")								•									
N*	G 3								•									
O	SAE DN 90 (3 1/2")									•								
P	SAE DN 100 (4")										•							
R	DIN DN 100											•						
U	DIN DN 125												•					
V	DIN DN 150													•				
W	DIN DN 200														•		•	
x	DIN DN 250																•	•
Y	DIN DN 300																	•

* This port G3 applies to filter outlet only (filter outlet = SAE DN 80)

Filtration rating in µm _____

BN/HC, V: 3, 5, 10, 20 P/HC: 10, 20 AM: 40

W/HC: 25, 50, 100, 200 BN/AM: 3, 10

Type of clogging indicator _____

Y plastic blanking plug in indicator port
 A steel blanking plug in indicator port
 B visual
 C electrical
 D visual and electrical
 for other clogging indicators, see brochure no. 7.050../..

Type code _____

1 standard connection (only RF 30 to 1300)
 2 RF 2500 to 15000: outlet for each filter element location spigot has threaded connection for pipe extension
 3 RF 2500 to 15000: common elbow outlet

Modification number _____

X the latest version is always supplied

Supplementary details _____

B cracking pressure of bypass (e.g. B6 = 6 bar)
 DE differential pressure measurement across element (RF 660, 950, 1300)
 DH cover plate lifting device (only RF 2500 to 15000)
 GA mating weld connection flange in steel
 KB without bypass valve
 L... light with appropriate voltage (24V, 48V, 110V, 220V)
 LED 2 light emitting diodes up to 24 Volt
 O O-ring groove on the DIN inlet flange (only for RF 2500 to 15000)
 T with tank breather filter (only RF 30)
 V FPM seals
 only for clogging indicators type D

2.2 REPLACEMENT ELEMENT

0330 R 010 BN4HC /-V

Size _____

0030, 0060, 0110, 0160, 0240, 0330, 0450, 0580, 0660, 0950, 1300

Type _____

R

Filtration rating in µm _____

BN4HC, V: 003, 005, 010, 020 P/HC: 010, 020 AM: 040

W/HC: 025, 050, 100, 200 BN4AM: 003, 010

Filter material _____

BN4HC, V, W/HC, P/HC, BN4AM, AM

Supplementary details _____

V (for descriptions, see point 2.1)

2.3 REPLACEMENT CLOGGING INDICATOR

VR 2 D . X /-L24

Type of indicator _____

VR return line indicator up to 25 bar operating pressure (for RF 450/580: on request)

VM differential pressure indicator (only possible for RF 450/580)

Pressure setting _____

2 standard 2 bar, others on request

Type of clogging indicator (see Point 2.1) _____

Modification number _____

X the latest version is always supplied

Supplementary details _____

L..., LED, V (for descriptions, see point 2.1)

3. FILTER CALCULATION / SIZING

The total pressure drop of a filter at a certain flow rate Q is the sum of the housing Δp and the element Δp and is calculated as follows:

$$\Delta p_{\text{total}} = \Delta p_{\text{housing}} + \Delta p_{\text{element}}$$

$$\Delta p_{\text{housing}} = (\text{see Point 3.1})$$

$$\Delta p_{\text{element}} = Q \cdot \frac{SK^*}{1000} \cdot \frac{\text{viscosity}}{30}$$

(*see point 3.2)

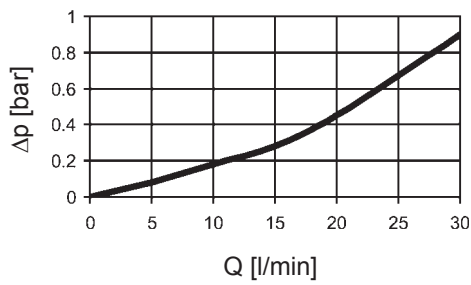
For ease of calculation, our Filter Sizing Program is available on request free of charge.

NEW: Sizing online at www.hydac.com

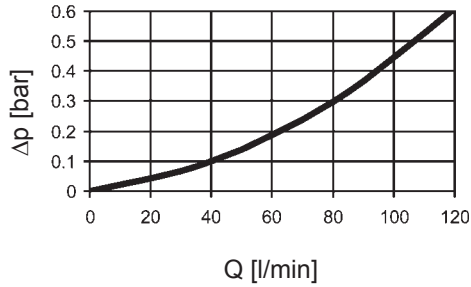
3.1 Δp -Q HOUSING CURVES BASED ON ISO 3968

The housing curves apply to mineral oil with a density of 0.86 kg/dm³ and a kinematic viscosity of 30 mm²/s. In this case, the differential pressure changes proportionally to the density.

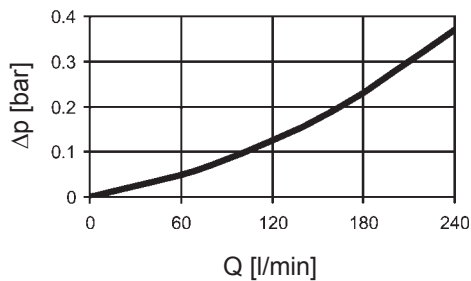
RF 30



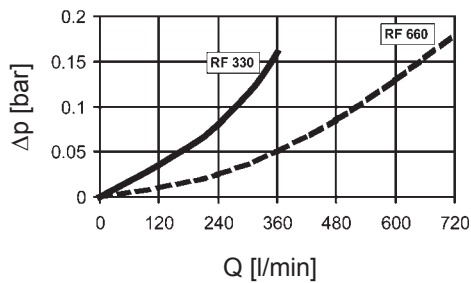
RF 60, 110



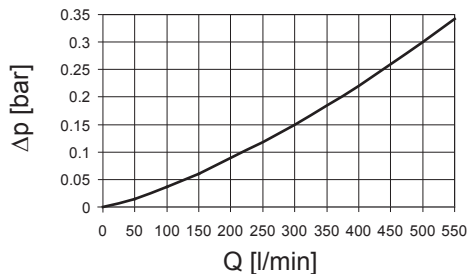
RF 160, 240



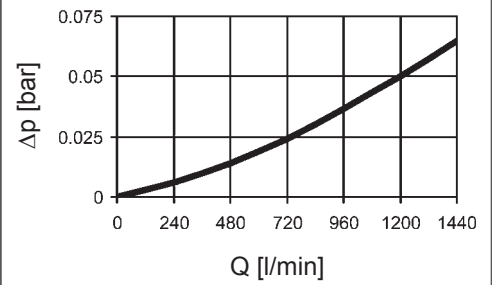
RF 330, 660



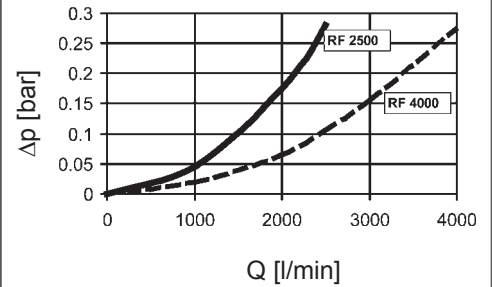
RF 450, 580



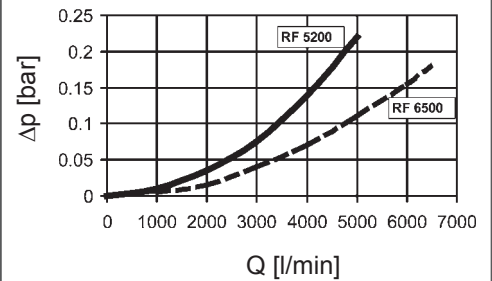
RF 950, 1300



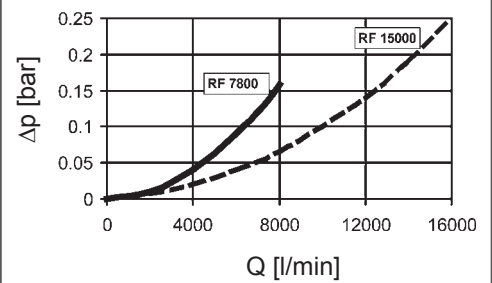
RF 2500, 4000



RF 5200, 6500



RF 7800, 15000



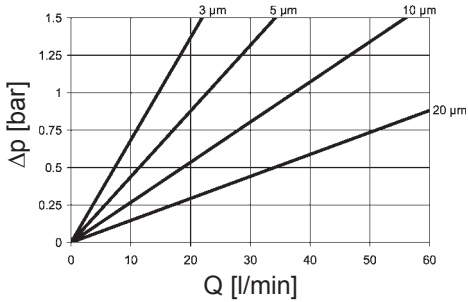
3.2 GRADIENT COEFFICIENTS (SK) FOR FILTER ELEMENTS

The gradient coefficients in mbar/(l/min) apply to mineral oils with a kinematic viscosity of 30 mm²/s. The pressure drop changes proportionally to the change in viscosity.

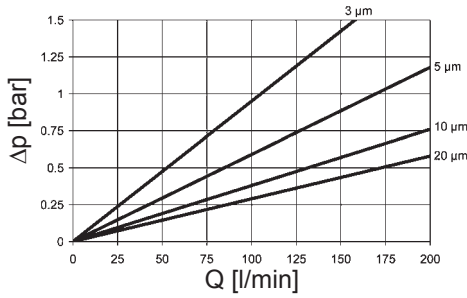
RF	V				W/HC
	3 μm	5 μm	10 μm	20 μm	
30	19.4	14.2	7.9	3.8	-
60	15.9	9.3	5.4	3.3	0.90
110	7.6	5.1	3.0	2.0	0.495
160	4.9	3.5	2.4	1.5	0.338
240	3.2	2.6	1.7	1.2	0.225
330	2.1	1.7	1.1	0.8	0.162
660	1.0	0.8	0.6	0.4	0.081
950	0.7	0.6	0.4	0.2	0.054
1300	0.5	0.4	0.3	0.2	0.045

For gradient coefficients for RF 450/580, please ask separately!

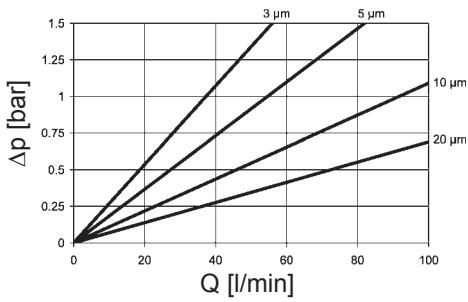
BN4HC: RF 30



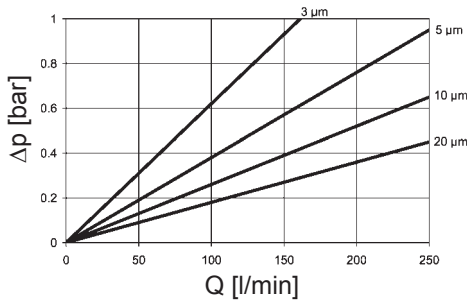
BN4HC: RF 160



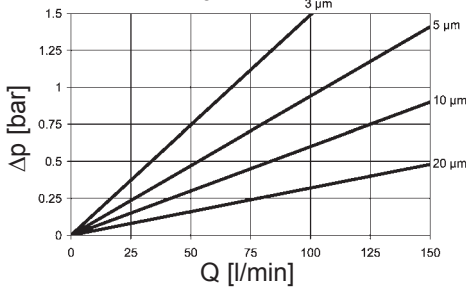
BN4HC: RF 60



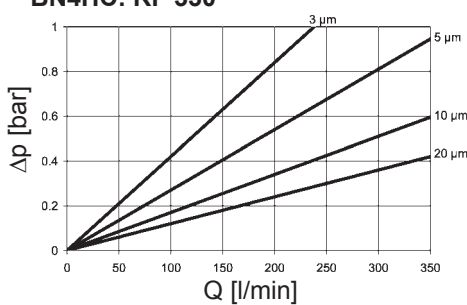
BN4HC: RF 240



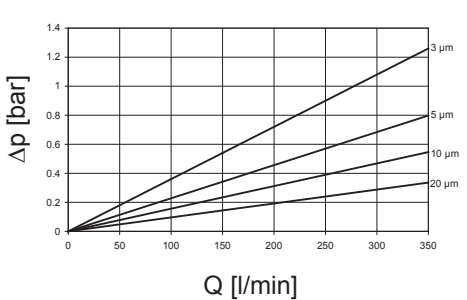
BN4HC: RF 110



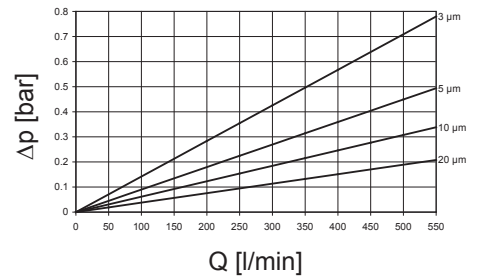
BN4HC: RF 330



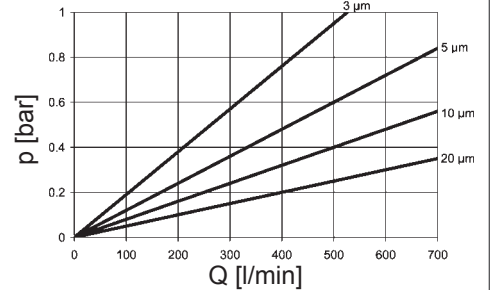
BN4HC: RF 450



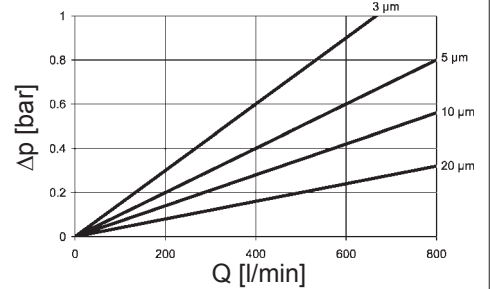
BN4HC: RF 580



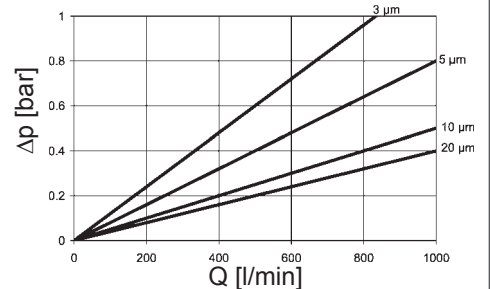
BN4HC: RF 660



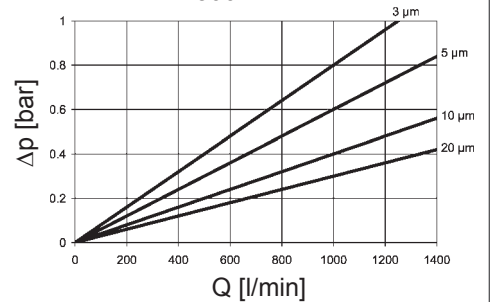
BN4HC: RF 850



BN4HC: RF 950

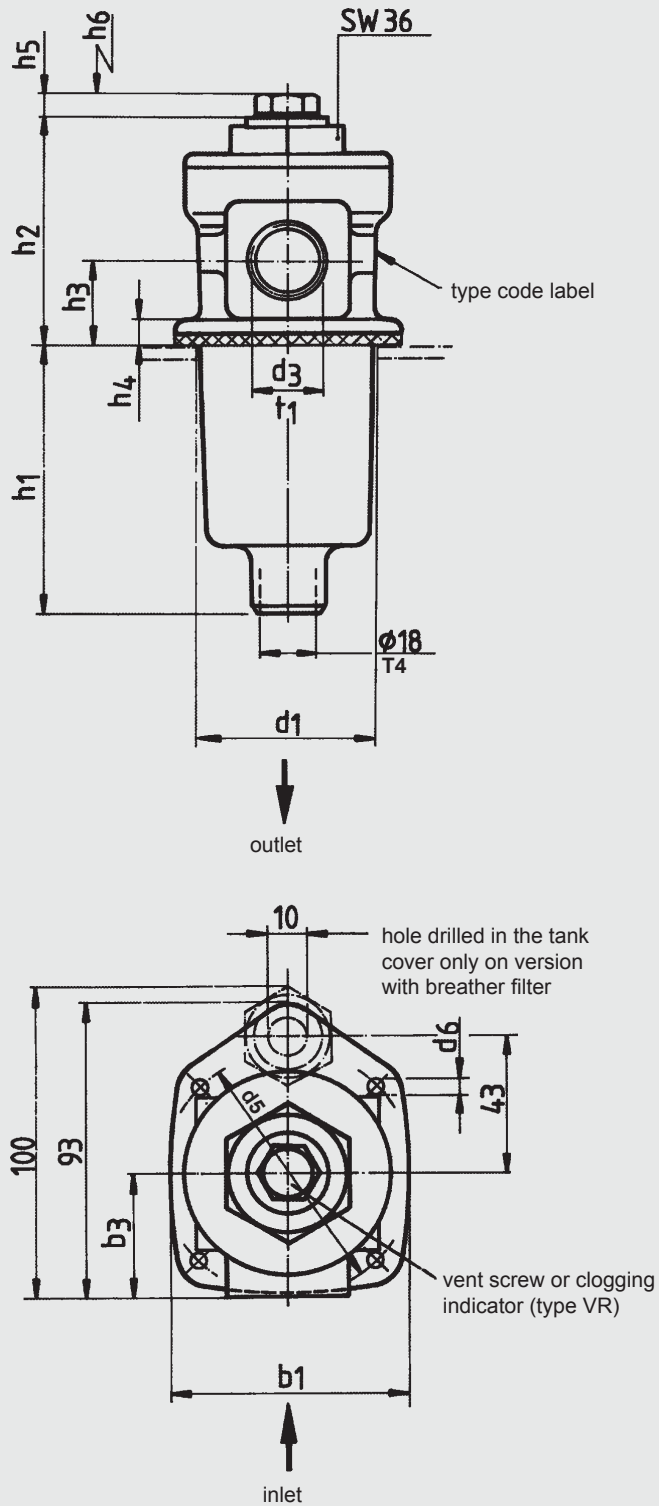


BN4HC: RF 1300



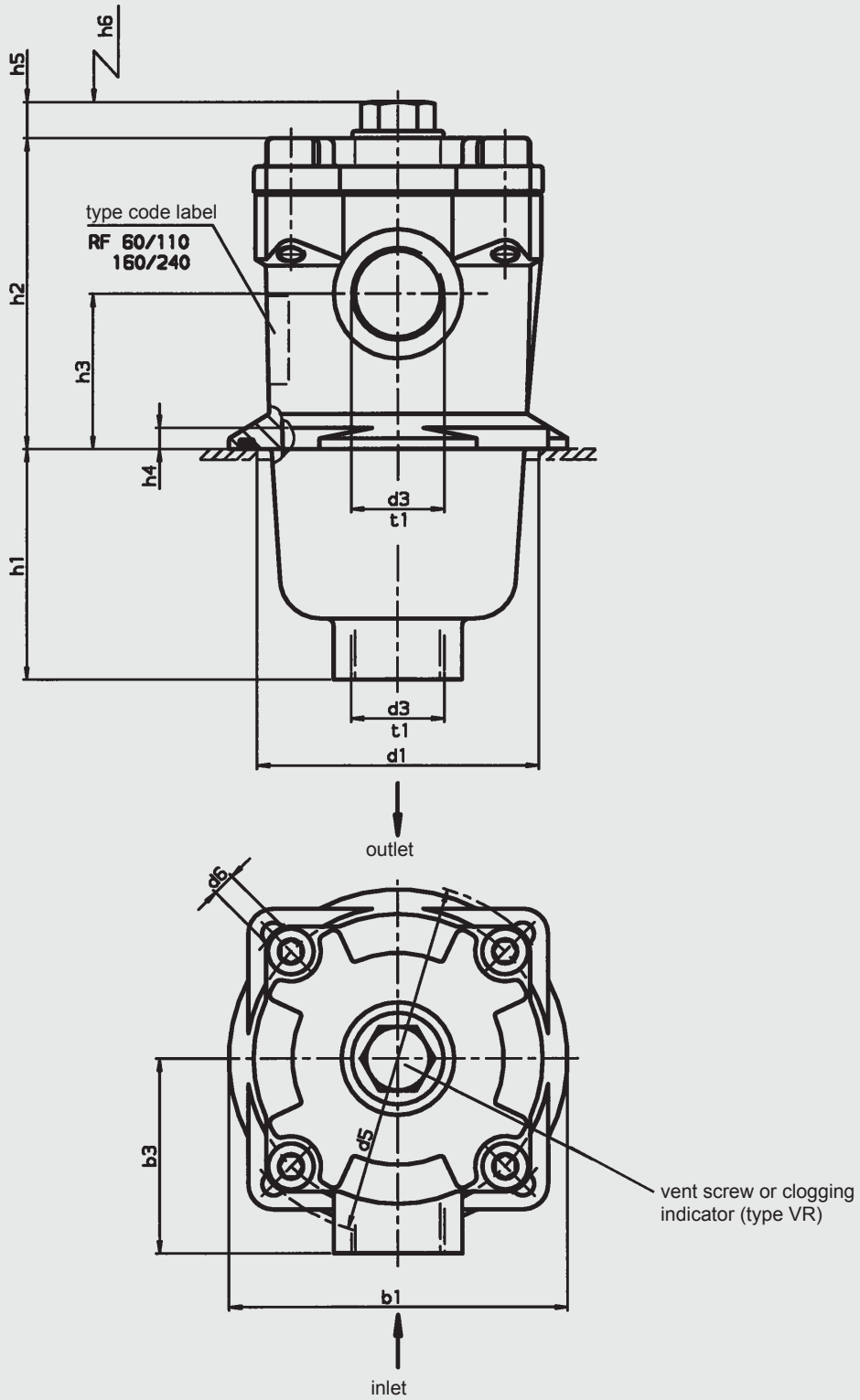
4. DIMENSIONS

RF 30



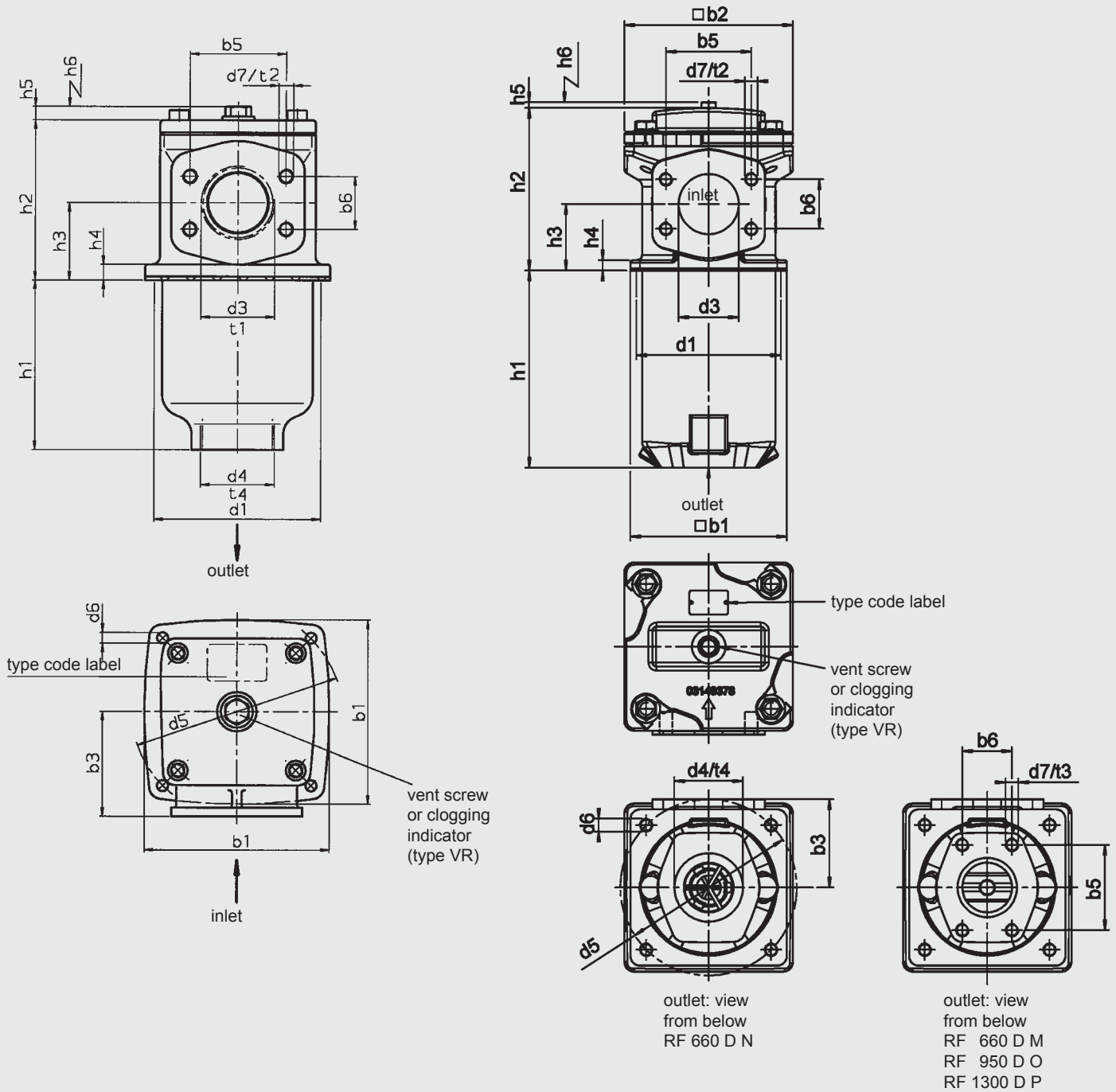
RF	b1	b3	d1	d3 ¹⁾	d5	d6 ²⁾	h1	h2	h3	h4	h5	h6	t1	t4	Weight including element [kg]	Volume of pressure chamber [l]
30	71	38	60	G ½	78	M4	86	70	27	8	11	90	14	14	0.4	0.18

¹⁾ Threaded port to ISO 228 / ²⁾ Mounting hole for screw



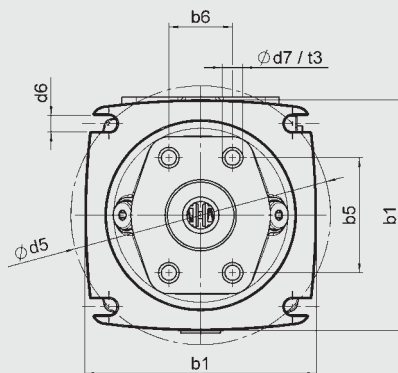
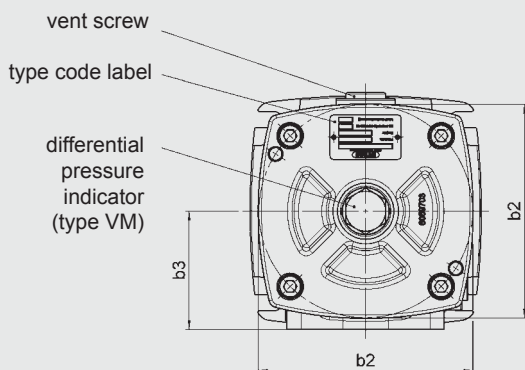
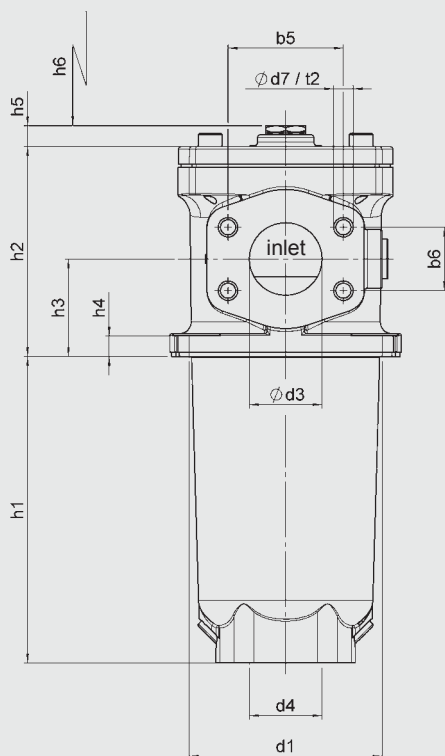
RF	b1	b3	d1	d3 ¹⁾	d5	d6 ²⁾	h1	h2	h3	h4	h5	h6	t1	t4	Weight including element [kg]	Volume of pressure chamber [l]
60	96	55	80	G 3/4	100	M5	66	88	44	6	12	80	17	-	0.9	0.40
110	96	55	80	G 3/4	100	M5	133	88	44	6	12	145	17	-	1.1	0.60
160	126	72	106	G 1 1/4	135	M6	89	108	54	6	12	120	20	-	1.8	1.00
240	126	72	106	G 1 1/4	135	M6	150	108	54	6	12	180	20	-	2.2	1.40

¹⁾ Threaded port to ISO 228 / ²⁾ Mounting hole for screw



RF	b1	b2	b3	b5	b6	d1	d3	d4	d5	d6 ¹⁾	d7	h1	h2	h3	h4	h5	h6	t1	t2	t3	t4	Weight including element [kg]	Volume of pressure chamber [l]			
330	150	126	85	-	-	135	G2 SAE DN 50 (2")	G2		170	M8	M12	139	130	63	13	12	180	27	-	23	-	27	4.1	2.0	
660	195	210	110	106.4	61.9	180	SAE DN 80 (3")	G3 SAE DN 80 (3")	220	M12	M16	246	203	83	13	8	320	-	28	18	28	-	28	31.0	6.8	
950	250	244	135	120.7	69.9	208	SAE DN 90 (3½")	SAE DN 90 (3½")	290	M16	M16	252.5	225	93	13	8	385	-	20	20	-	20	-	20	44.5	10.3
1300	250	244	145	130.2	77.8	208	SAE DN 100 (4")	SAE DN 100 (4")	290	M16	M16	330.5	269	121	13	8	485	-	20	20	-	20	-	20	52.5	13.5

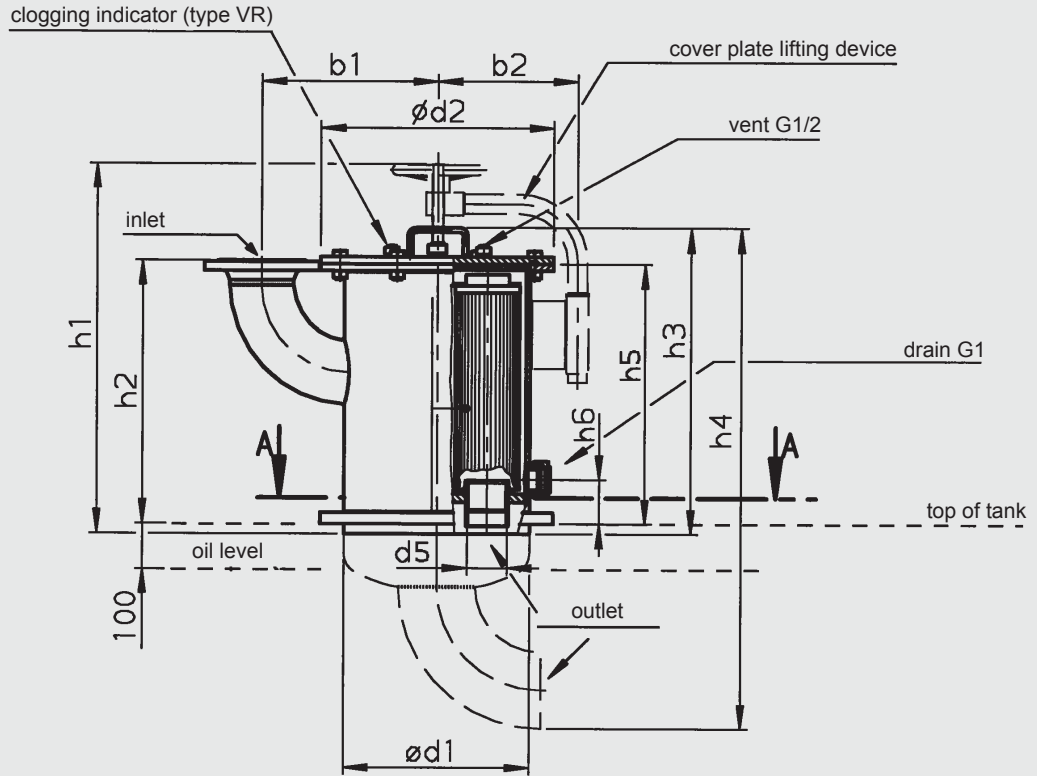
Filter connection for SAE flanges to SAE-J 518c / 3000 PSI / ¹⁾ Mounting hole for screw



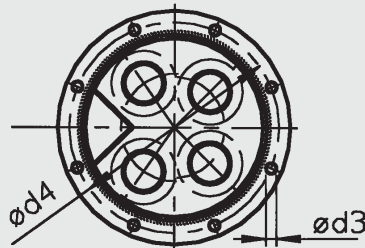
outlet: view from below
RF 450 C L
RF 580 C L

RF	b1	b2	b3	b5	b6	d1	d3	d4	d5	d6 ¹⁾	d7	h1	h2	h3	h4	h5	h6	t1	t2	t3	t4	Weight incl. element [kg]	Volume of pressure chamber [l]
450	156	144.5	80	77.8	42.9	130	SAE DN 50 (2")	SAE DN 50 (2")	175	M10	M12	207	142	66	14	14	345	-	22	22	-	6.6	2.7
580	156	144.5	80	77.8	42.9	130	SAE DN 50 (2")	SAE DN 50 (2")	175	M10	M12	507	142	66	14	14	645	-	22	22	-	9.4	4.7

Filter connection for SAE flanges to SAE-J 518c / 3000 PSI / ¹⁾ Mounting hole for screw



A-A



dimension h4 on request!

RF	Flange connection	h1	h2	h3	h5	h6	b1	b2	d1	d2	d3	d4	d5	No. of cover plate screws	Weight including element [kg]	Volume of pressure chamber [l]
2500	DIN DN 100	732	578	590	496	84	395	240	273	360	18	320	G2	8	55.3	26.0
	DIN DN 125		505				317								58.3	29.0
4000	DIN DN 125	738	501	596	496	84	355	282	356	450	18	410	G2	12	97.3	44.0
	DIN DN 150		540				388								101.3	48.0
5200	DIN DN 125	812	576	670	571	84	382	308	406	510	23	460	G3	8	119.1	64.0
	DIN DN 150		615				416								126.1	68.0
6500	DIN DN 150	817	615	680	571	84	470	358	508	620	26	572	G3	8	175.1	98.0
	DIN DN 200		720				535								186.1	108.0
7800	DIN DN 200	817	720	680	571	84	535	358	508	620	26	572	G3	8	187.1	108.0
	DIN DN 250		800				605								202.1	126.0
15000	DIN DN 250	817	800	709	571	84	712	460	711	840	26	780	G3	12	329.1	224.0
	DIN DN 300		866				777								382.1	247.0



Tank-Top Return Line Filter RFND Change-Over Version to DIN 24550 up to 630 l/min, up to 10 bar



1. TECHNICAL SPECIFICATIONS

1.1 FILTER HOUSING

Construction

The filter housings are designed in accordance with international regulations. They consist of a filter head, filter bowl and a screw-on or bolt-on cover plate.

Standard equipment:

- bypass valve
- connection for a clogging indicator

1.2 FILTER ELEMENTS

HYDAC filter elements are validated and their quality is constantly monitored according to the following standards:

- ISO 2941
- ISO 2942
- ISO 2943
- ISO 3724
- ISO 3968
- ISO 11170
- ISO 16889

Contamination retention capacities in g

RFND	Betamicon® BN4HC			
	3 µm	6 µm	10 µm	25 µm
100	22.0	24.7	27.5	33.0
250	61.4	69.1	76.8	92.1
630	148.6	167.3	185.8	222.9

Filter elements are available with the following pressure stability values:
Betamicon® (BN4HC): 20 bar

1.3 FILTER SPECIFICATIONS

Nominal pressure	10 bar
Temperature range	-10 °C to +100 °C
Material of filter head	Aluminium
Material of filter bowl	Polyamide
Material of cover plate	Polyamide (RFN 100) Aluminium (RFN 250 and 630)
Type of clogging indicator	VR Connection thread G 1/2 VMF Connection thread G 1/8
Pressure setting of the clogging indicator	2.5 bar (others on request)
Bypass cracking pressure	3.5 bar (others on request)

1.4 SEALS

NBR (= Perbunan)

1.5 INSTALLATION

Tank-top filter

1.6 SPECIAL MODELS AND ACCESSORIES

On request

1.7 SPARE PARTS

See Original Spare Parts List

1.8 CERTIFICATES AND APPROVALS

On request

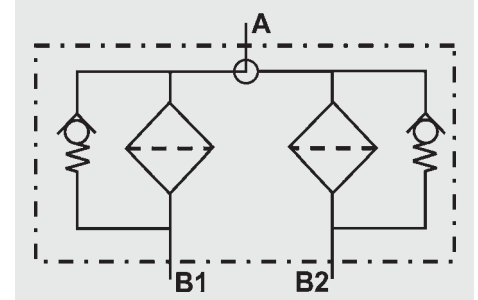
1.9 COMPATIBILITY WITH HYDRAULIC FLUIDS ISO 2943

- Hydraulic oils H to HLPD DIN 51524
- Lubrication oils DIN 51517, API, ACEA, DIN 51515, ISO 6743
- Compressor oils DIN 51506
- Biodegradable operating fluids VDMA 24568 HETG, HEES, HEPG
- Fire-resistant fluids HFA, HFB, HFC and HFD
- Operating fluids with high water content (>50% water content) on request

1.10 MAINTENANCE INSTRUCTIONS

- Filter housings must be earthed.
- When using electrical clogging indicators, the electrical power supply to the system must be switched off before removing the clogging indicator connector.

Symbol for hydraulic systems



2. MODEL CODE (also order example)

RFND BN/HC 250 B A E 10 D 1 . X /-L24

2.1 COMPLETE FILTER

Filter type

RFND

Filter material of element

BN/HC Betamicon® (BN4HC)

Size of filter or element

RFND: 100, 250, 630

Operating pressure

B = 10 bar

Type of change-over

A Ball

Type and size of connection

Type	Port	Filter size		
		100	250	630
C	G ¾	●		
E	G1 ¼		●	
L	SAE DN 50			●

Filtration rating in µm

BN/HC: 3, 6, 10, 25

Type of clogging indicator

Y plastic blanking plug in indicator port

A steel blanking plug in indicator port

B visual

C electrical

D visual and electrical

LZ visual-mechanical /electrical

for other clogging indicators,
see brochure no. 7.050../..

Type code

1

Modification number

X the latest version is always supplied

Supplementary details

L... light with appropriate voltage (24V, 48V, 110V, 220V)

LED 2 light emitting diodes up to 24 Volt

AV LZ indicator with plug to AUDI and VW specification

BO LZ indicator with plug and pin connection to BMW and Opel specification (M12x1)

CN LZ indicator with plug to DIN 43651 with 3 LEDs (CNOMO specification)

DB LZ indicator with plug to DIN 43651 with 3 LEDs (Daimler-Benz specification)

D4C LZ indicator with plug and connector to Daimler-Chrysler specification and cold start suppression 30°C

BO-LED as for BO, but with diode strip

GM LZ indicator with "no element" indicator

30C LZ indicator with temperature limiter (only in conjunction with type DB)

V FPM seals

only for clogging
indicators type D

2.2 REPLACEMENT ELEMENT

0250 RN 010 BN4HC /-V

Size

0100, 0250, 0630

Type

RN

Filtration rating in µm

BN4HC: 003, 006, 010, 025

Filter material

BN4HC

Supplementary details

V (for descriptions, see point 2.1)

2.3 REPLACEMENT CLOGGING INDICATOR

VR 2.5 D . X /-L24

Type of clogging indicator

VR connection thread G 1/2

VMF connection thread G 1/8

Pressure setting

2.5 standard 2.5 bar, others on request

Type of clogging indicator

D (see point 2.1)

Modification number

X the latest version is always supplied

Supplementary details

L..., LED, V (for descriptions, see point 2.1)

3. FILTER CALCULATION / SIZING

The total pressure drop of a filter at a certain flow rate Q is the sum of the housing Δp and the element Δp and is calculated as follows:

$$\Delta p_{\text{total}} = \Delta p_{\text{housing}} + \Delta p_{\text{element}}$$

$$\Delta p_{\text{housing}} = \text{(see Point 3.1)}$$

$$\Delta p_{\text{element}} = Q \cdot \frac{SK^*}{1000} \cdot \frac{\text{viscosity}}{30}$$

(*see point 3.2)

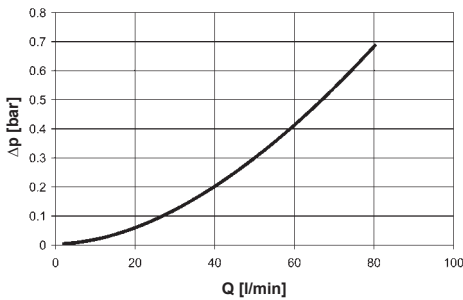
For ease of calculation, our Filter Sizing Program is available on request free of charge.

NEW: Sizing online at www.hydac.com

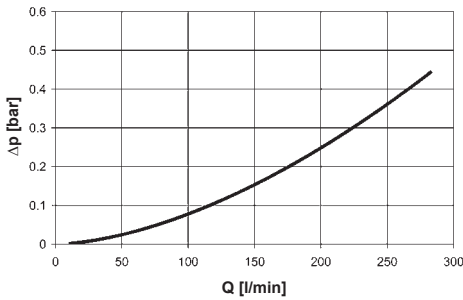
3.1 Δp -Q HOUSING CURVES BASED ON ISO 3968

The housing curves apply to mineral oil with a density of 0.86 kg/dm³ and a kinematic viscosity of 30 mm²/s. In this case, the differential pressure changes proportionally to the density.

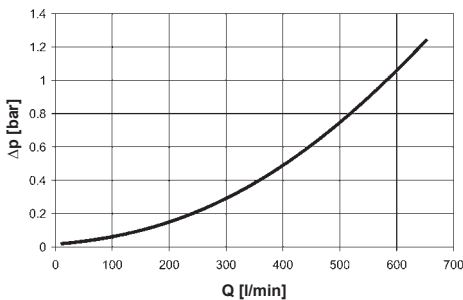
RFND 100



RFND 250



RFND 630

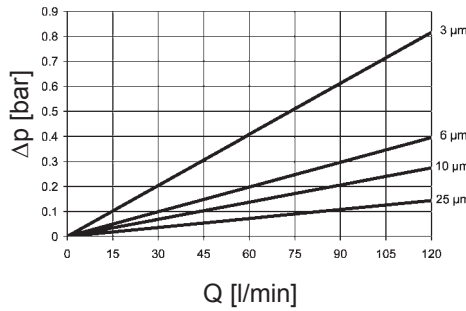


3.2 GRADIENT COEFFICIENTS (SK) FOR FILTER ELEMENTS

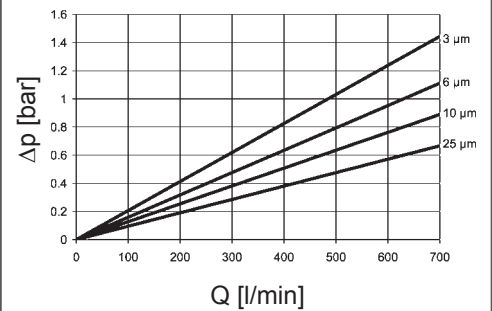
The gradient coefficients in mbar/(l/min) apply to mineral oils with a kinematic viscosity of 30 mm²/s. The pressure drop changes proportionally to the change in viscosity.

RFND	BN4HC			
	3 μm	6 μm	10 μm	25 μm
100	6.8	3.3	2.3	1.2
250	2.8	1.4	0.9	0.4
630	2.1	1.2	0.9	0.7

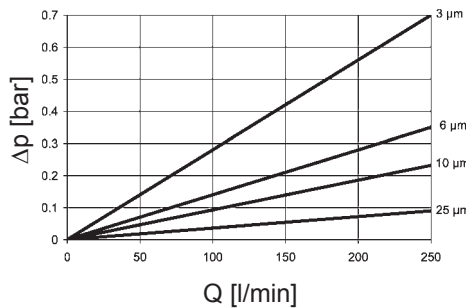
BN4HC: 100



BN4HC: 630

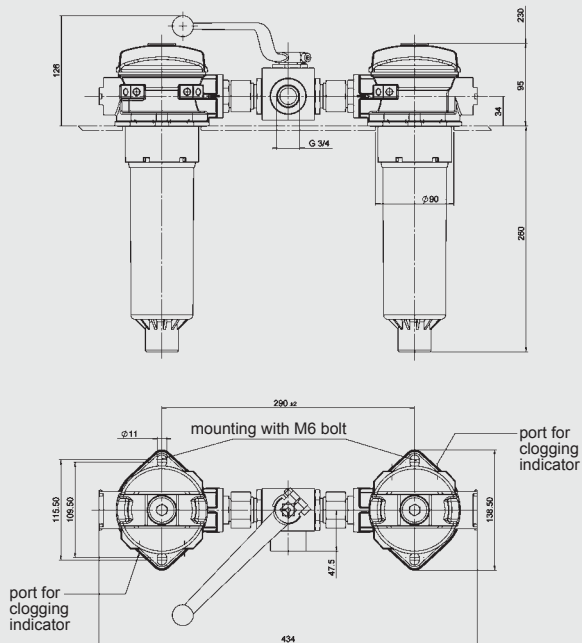


BN4HC: 250

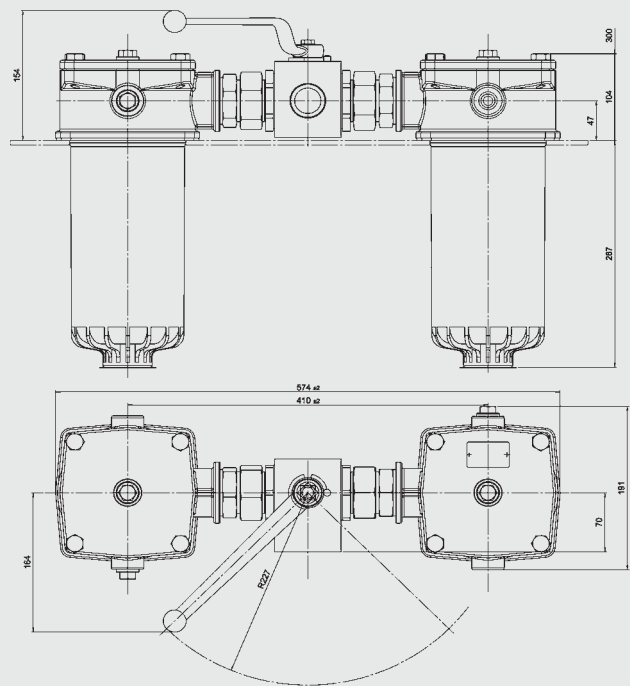


4. DIMENSIONS

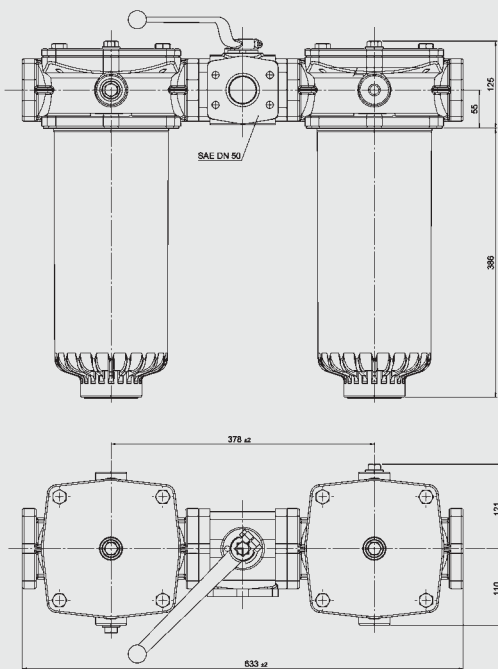
RFND 100



RFND 250

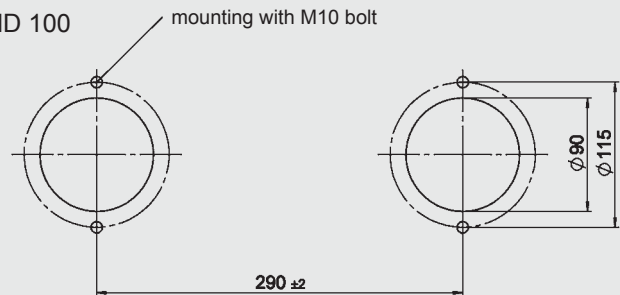


RFND 630

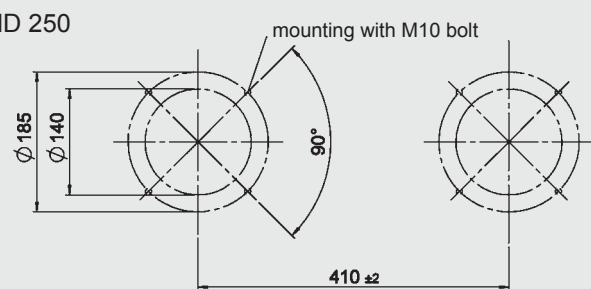


Flange interface / opening in tank to DIN 24550

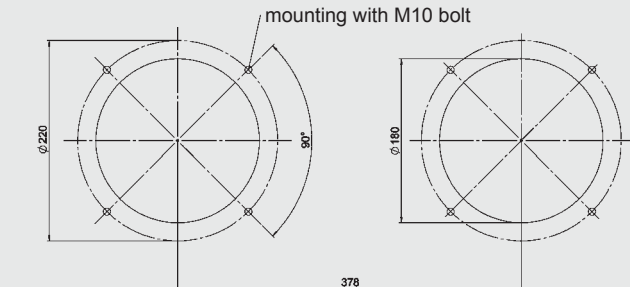
RFND 100



RFND 250



RFND 630



RFND	Weight incl. element [kg]	Vol. of pressure chamber [l]
100	5.4	2 x 1.00
250	13.0	2 x 3.50
630	23.0	2 x 8.00

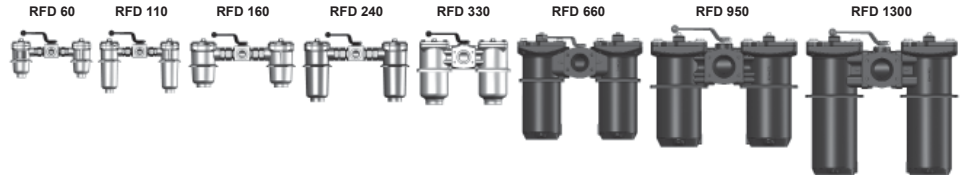
NOTE

The information in this brochure relates to the operating conditions and applications described.
For applications and operating conditions not described, please contact the relevant technical department.
Subject to technical modifications.

HYDAC FILTERTECHNIK GMBH
Industriegebiet
66280 Sulzbach/Saar, Germany
Tel.: 0 68 97 / 509-01
Fax: 0 68 97 / 509-300
Internet: www.hydac.com
E-mail: filter@hydac.com



Change-Over Return Line Filter RFD up to 1300 l/min, up to 25 bar



1. TECHNICAL SPECIFICATIONS

1.1 FILTER HOUSING

Construction

The filter housings are designed in accordance with international regulations. They consist of one-piece housings with bolt-on cover plates. The two housings are connected by a ball change-over valve with negative overlap and single-lever operation.

Standard equipment:

- bypass valve
- connection for a clogging indicator (1 clogging indicator per filter side!)

1.2 FILTER ELEMENTS

HYDAC filter elements are validated and their quality is constantly monitored according to the following standards:

- ISO 2941
- ISO 2942
- ISO 2943
- ISO 3724
- ISO 3968
- ISO 11170
- ISO 16889

Contamination retention capacities in g

RFD	Elements	Betamicon® (BN4HC)			
		3 µm	5 µm	10 µm	20 µm
60	1x0060R	5.7	6.3	7.6	8.6
110	1x0110R	12.0	13.3	16.0	18.1
160	1x0160R	18.6	20.7	24.9	28.1
240	1x0240R	29.3	32.5	39.1	44.2
330	1x0330R	38.4	42.6	51.2	57.9
660	1x0660R	87.1	96.5	116.1	131.3
950	1x0950R	130.0	144.1	173.3	196.1
1300	1x1300R	181.0	200.7	241.4	273.1

Filter elements are available with the following pressure stability values:

Betamicon® (BN4HC):	20 bar
Paper (P/HC):	10 bar
Stainl. steel wire mesh (W/HC):	20 bar
Stainless steel fibre (V):	210 bar
Betamicon®/Aquamicron® (BN4AM):	10 bar
Aquamicron® (AM):	10 bar

1.3 FILTER SPECIFICATIONS

Nominal pressure	25 bar
Temperature range	-10 °C to +100 °C
Material of filter housing and cover plate	RFD 60 to 330: Aluminium RFD 660 to 1300: EN-GJS-400-15
Type of clogging indicator	VR Connection thread G ½ (return line indicator up to 25 bar operating pressure)
Pressure setting of the clogging indicator	2 bar (others on request)
Bypass cracking pressure	3 bar (others on request)

1.4 SEALS

NBR (= Perbunan)

1.5 INSTALLATION

Tank-top filter

1.6 SPECIAL MODELS AND ACCESSORIES

On request

1.7 SPARE PARTS

See Original Spare Parts List

1.8 CERTIFICATES AND APPROVALS

On request

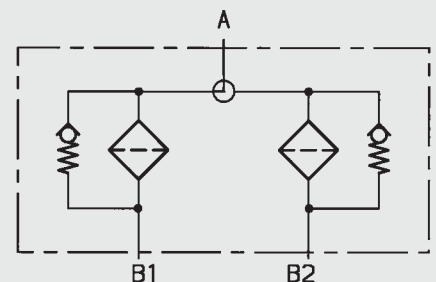
1.9 COMPATIBILITY WITH HYDRAULIC FLUIDS ISO 2943

- Hydraulic oils H to HLPD DIN 51524
- Lubrication oils DIN 51517, API, ACEA, DIN 51515, ISO 6743
- Compressor oils DIN 51506
- Biodegradable operating fluids VDMA 24568 HETG, HEES, HEPG
- Fire-resistant fluids HFA, HFB, HFC and HFD
- Operating fluids with high water content (>50% water content) and CLP oils on request

1.10 IMPORTANT INFORMATION

- Filter housings must be earthed.
- When using electrical clogging indicators, the electrical power supply to the system must be switched off before removing the clogging indicator connector.
- Filters must be flexibly mounted and not fixed rigidly to the floor or used as a pipe support.

Symbol for hydraulic systems



2. MODEL CODE (also order example)

RFD BN/HC 330 D A L 10 D 1 . X /-L24

2.1 COMPLETE FILTER

Filter type _____

RFD

Filter material of element _____

BN/HC Betamicon® (BN4HC) W/HC Stainless steel wire mesh
 V Stainless steel fibre AM Aquamicon®
 P/HC Paper BN/AM Betamicon®/Aquamicon® (BN4AM)

Size of filter or element _____

RFD: 60, 110, 160, 240, 330, 660, 950, 1300

Operating pressure _____

D = 25 bar

Type of change-over _____

A Ball

Type and size of connection _____

Type	Connection	Filter size							
		60	110	160	240	330	660	950	1300
C	G 3/4	●	●						
D	G 1			●	●				
G	G 2					●			
L	SAE DN 50 (2")					●			
M	SAE DN 80 (3")						●		
N*	G3						●		
P	SAE DN 100 (4")							●	●

* This port G3 applies to filter outlet only

Filtration rating in µm _____

BN/HC, V: 3, 5, 10, 20 P/HC: 10, 20 AM: 40
 W/HC: 25, 50, 100, 200 BN/AM: 3, 10

Type of clogging indicator _____

Y plastic blanking plug in indicator port
 A stainless steel blanking plug in indicator port
 B visual
 C electrical
 D visual and electrical
 for other clogging indicators, see brochure no. 7.050../..

Type code _____

1

Modification number _____

X the latest version is always supplied

Supplementary details _____

B. special cracking pressure of bypass (e.g. B6 = 6 bar)
 KB without bypass valve
 L... light with appropriate voltage (24V, 48V, 110V, 220V)
 LED 2 light emitting diodes up to 24 Volt
 SO136 filter housing of RFD 330 in EN-GJS-400-15
 V FPM seals
 only for clogging indicators type D

2.2 REPLACEMENT ELEMENT

0330 R 010 BN4HC /-V

Size _____

0060, 0110, 0160, 0240, 0330, 0660, 0950, 1300

Type _____

R

Filtration rating in µm _____

BN/HC, V: 003, 005, 010, 020 P/HC: 010, 020 AM: 040
 W/HC: 025, 050, 100, 200 BN4AM: 003, 010

Filter material _____

BN4HC, V, W/HC, P/HC, BN4AM, AM

Supplementary details _____

V (for descriptions, see point 2.1)

2.3 REPLACEMENT CLOGGING INDICATOR

VR 2 D . X /-L24

Type _____

VR return line indicator up to 25 bar operating pressure

Pressure setting _____

2 standard 2 bar, others on request

Type of clogging indicator _____

D (see Point 2.1)

Modification number _____

X the latest version is always supplied

Supplementary details _____

L..., LED, V (for descriptions, see point 2.1)

3. FILTER CALCULATION / SIZING

The total pressure drop of a filter at a certain flow rate Q is the sum of the housing Δp and the element Δp and is calculated as follows:

$$\Delta p_{\text{total}} = \Delta p_{\text{housing}} + \Delta p_{\text{element}}$$

$$\Delta p_{\text{housing}} = (\text{see Point 3.1})$$

$$\Delta p_{\text{element}} = Q \cdot \frac{SK^*}{1000} \cdot \frac{\text{viscosity}}{30}$$

(*see point 3.2)

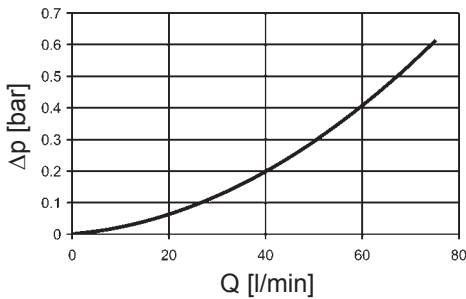
For ease of calculation, our Filter Sizing Program is available on request free of charge.

NEW: Sizing online at www.hydac.com

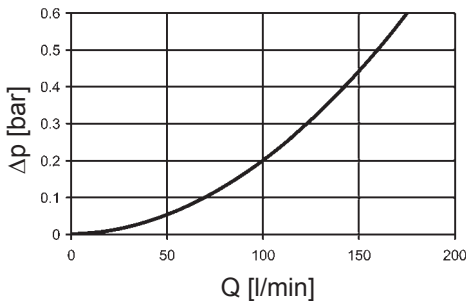
3.1 Δp -Q HOUSING CURVES BASED ON ISO 3968

The housing curves apply to mineral oil with a density of 0.86 kg/dm³ and a kinematic viscosity of 30 mm²/s. In this case, the differential pressure changes proportionally to the density.

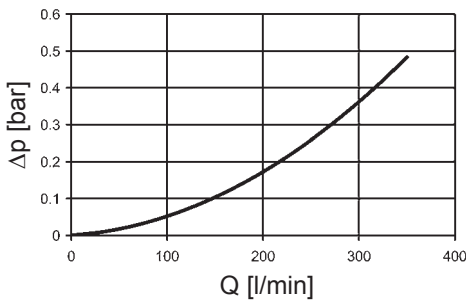
RFD 60, 110



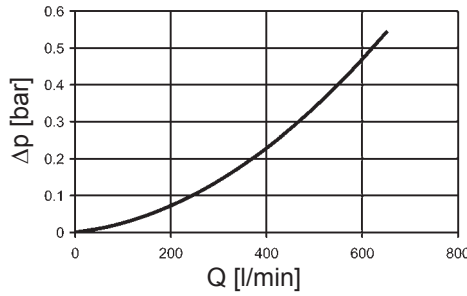
RFD 160, 240



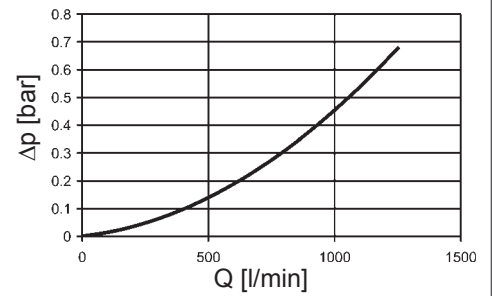
RFD 330



RFD 660, 950



RFD 1300

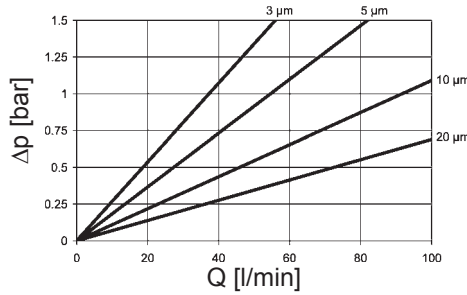


3.2 GRADIENT COEFFICIENTS (SK) FOR FILTER ELEMENTS

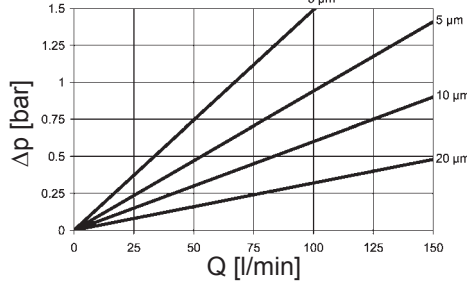
The gradient coefficients in mbar/(l/min) apply to mineral oils with a kinematic viscosity of 30 mm²/s. The pressure drop changes proportionally to the change in viscosity.

RFD	V				W/HC
	3 μm	5 μm	10 μm	20 μm	
60	15.9	9.3	5.4	3.3	0.90
110	7.6	5.1	3.0	2.0	0.495
160	4.9	3.5	2.4	1.5	0.338
240	3.2	2.6	1.7	1.2	0.225
330	2.1	1.7	1.1	0.8	0.162
660	1.0	0.8	0.6	0.4	0.081
950	0.7	0.6	0.4	0.2	0.054
1300	0.5	0.4	0.3	0.2	0.045

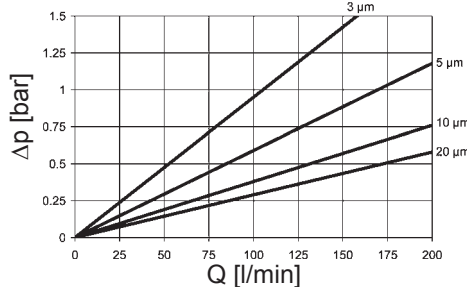
BN4HC: RFD 60



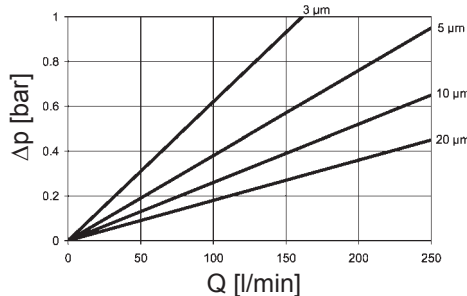
BN4HC: RFD 110



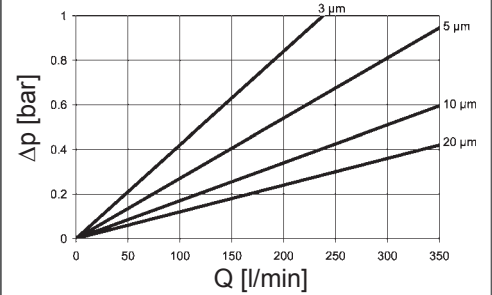
BN4HC: RFD 160



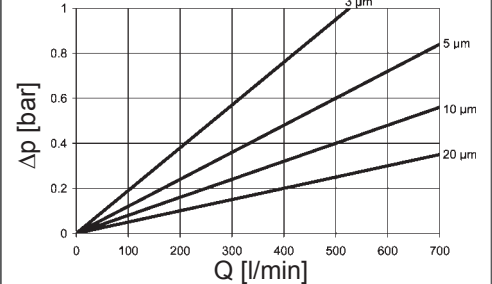
BN4HC: RFD 240



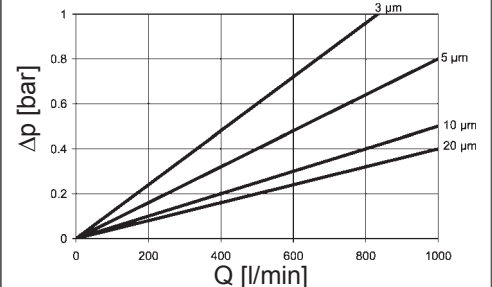
BN4HC: RFD 330



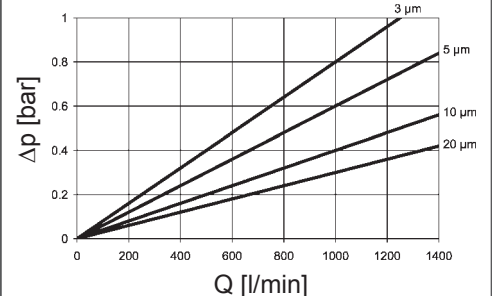
BN4HC: RFD 660



BN4HC: RFD 950

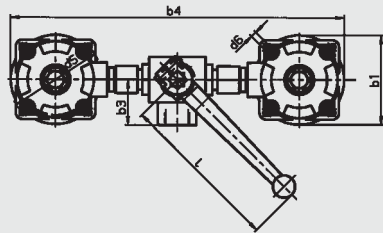
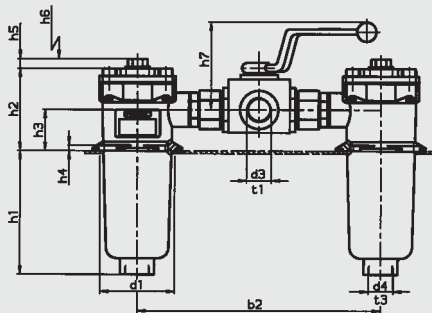


BN4HC: RFD 1300

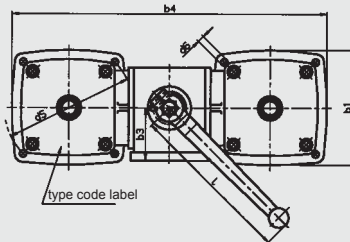
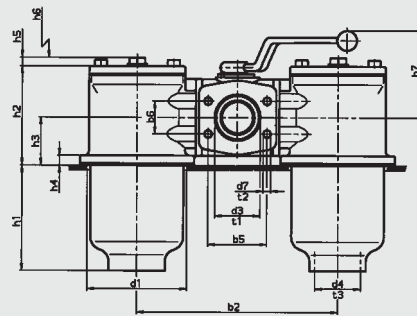


4. DIMENSIONS

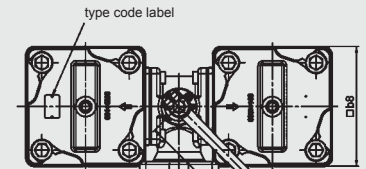
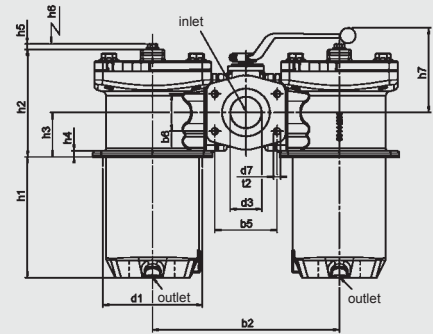
RFD 60-240



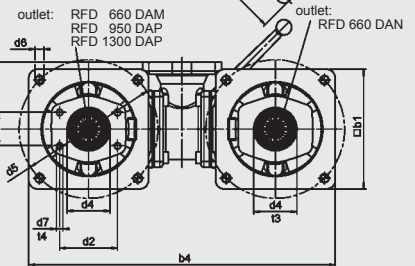
RFD 330



RFD 660-1300



View from below



RFD	60	110	160	240	330	660	950	1300
b1	96	96	126	126	150	195	250	250
b2 _{±1.5}	260.5	260.5	335.5	335.5	254	330	390	410
b3	47.5	47.5	56.5	56.5	69	100	140	140
b4	357	357	461	461	404	540	640	660
b5	-	-	-	-	77.8	106.5	130.2	130.2
b6	-	-	-	-	42.9	61.9	77.8	77.8
b7	-	-	-	-	-	61.9	69.9	77.8
b8	-	-	-	-	-	210	244	244
d1	80	80	106	106	135	180	208	208
d2	-	-	-	-	-	106.4	120.7	130.2
d3	G 3/4	G 3/4	G 1	G 1	G 2 / SAE DN 50 (2")	SAE DN 80 (3")	SAE DN 100 (4")	SAE DN 100 (4")
d4	G 3/4	G 3/4	G 1 1/4	G 1 1/4	G 2	G 3 or SAE DN 80 (3")	SAE DN 90 (3 1/2")	SAE DN 100 (4")
d5	100	100	135	135	170	220	290	290
d6 ¹⁾	Ø8 (M5)	Ø8 (M5)	Ø9.5 (M6)	Ø9.5 (M6)	Ø16 (M8)	Ø14 (M12)	Ø18 (M16)	Ø16 (M16)
d7 ²⁾	-	-	-	-	- / M12	M16	M16	M16
h1	66	133	89	150	139	246	252.5	330.5
h2	88	88	108	108	130	203	225	269
h3	44	44	54	54	63	83	93	121
h4	6	6	6	6	13	13	13	13
h5	11	11	11	11	11	8	8	8
h6	80	145	120	180	180	320	385	485
h7	92	92	95	95	110	114	170	170
l	173	173	173	173	229	229	318	318
t1 ²⁾	16	16	24	24	24 / -	-	-	-
t2 ²⁾	-	-	-	-	- / 17	20	25	25
t3	17	17	20	20	27	28	-	-
t4	-	-	-	-	-	18	20	20
Weight incl. element [kg]	3.2	3.7	7.0	7.8	13.4	72.0	105.0	118.0
Volume of pressure chamber [l]	2x 0.30	2x 0.60	2x 1.00	2x 1.40	2x 2.00	2x 6.80	2x 10.30	2x 13.50

¹⁾ Mounting hole for bolt

²⁾ Refers to the appropriate port (d3)

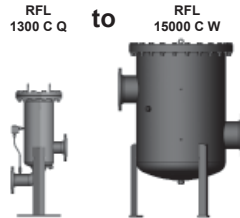
NOTE

The information in this brochure relates to the operating conditions and applications described.
For applications and operating conditions not described, please contact the relevant technical department.
Subject to technical modifications.

HYDAC FILTERTECHNIK GMBH
Industriegebiet
D-66280 Sulzbach/Saar, Germany
Tel.: 0 68 97 / 509-01
Fax: 0 68 97 / 509-300
Internet: www.hydac.com
E-mail: filter@hydac.com



Inline Filter RFL Welded Version up to 15000 l/min, up to 16 bar



1. TECHNICAL SPECIFICATIONS

1.1 FILTER HOUSING Construction

The filter housings are designed in accordance with international regulations. They consist of a two-piece filter housing with a bolt-on cover plate.

Standard equipment:

- stand
- inlet and outlet are positioned at different heights on opposite sides
- connections for venting and draining
- connection for a clogging indicator

1.2 FILTER ELEMENTS

HYDAC filter elements are validated and their quality is constantly monitored according to the following standards:

- ISO 2941
- ISO 2942
- ISO 2943
- ISO 3724
- ISO 3968
- ISO 11170
- ISO 16889

Contamination retention capacities in g

		Betamicon® (BN4HC)			
RFL	Elements	3 µm	5 µm	10 µm	20 µm
130x	1x1300 R	181.0	200.7	241.4	273.1
132x	1x2600 R	369.4	409.4	492.5	557.2
250x	3x0850 R	336.3	372.6	448.5	507.3
252x	3x1700 R	689.4	764.1	919.2	1039.8
400x	5x0850 R	560.5	621.0	747.5	845.5
402x	5x1700 R	1149.0	1273.5	1532.0	1733.0
520x	4x1300 R	724.0	802.8	965.6	1092.4
522x	4x2600 R	1477.6	1637.6	1970.0	2228.8
650x	5x1300 R	905.0	1003.5	1207.0	1365.5
652x	5x2600 R	1847.0	2047.0	2462.5	2786.0
780x	6x1300 R	1086.0	1204.2	1448.4	1638.6
782x	6x2600 R	2216.4	2456.4	2955.0	3343.2
1500x	10x1300 R	1810.0	2007.0	2414.0	2731.0
1502x	10x2600 R	3694.0	4094.0	4925.0	5572.0

Filter elements are available with the following pressure stability values:

Betamicon® (BN4HC):	20 bar
Paper (P/HC):	10 bar
Stainl. st. wire mesh (W/HC):	20 bar
Stainless steel fibre (V):	30 bar
Betamicon®/Aquamicron® (BN4AM):	10 bar
Aquamicron® (AM):	10 bar

1.3 FILTER SPECIFICATIONS

Nominal pressure	16 bar
Temperature range	-10 °C to +100 °C
Material of filter housing and cover plate	RFL 1300 to 15020: Welded steel RFL 1303 to 15023: Stainless steel 1.4571
Type of clogging indicator	VM (differential pressure measurement up to 210 bar operating pressure)
Pressure setting of the clogging indicator	2 bar (others on request)
Bypass cracking pressure	3 bar (others on request)

1.4 SEALS

NBR (=Perbunan)

1.5 INSTALLATION

As inline filter

1.6 SPECIAL MODELS AND ACCESSORIES

- Drain and vent ports with ball valves or other shut-off valves
- Inlet and outlet positioned one above the other
- Counter flanges available for all sizes
- Venting line with sight gauges
- Cover plate lifting device

1.7 SPARE PARTS

See Original Spare Parts List

1.8 CERTIFICATES AND APPROVALS

Material code (final digit of filter size) - 1:

These filters can be supplied with manufacturer's test certificates O and M to DIN 55350, Part 18. Test certificates 3.1 to DIN EN 10204.

Material code (final digit of filter size) - 3:

Filters for use in separation technology with low viscosity, high viscosity and aggressive fluids as well as gaseous media.*

* These filters are available from HYDAC Process Technology division.

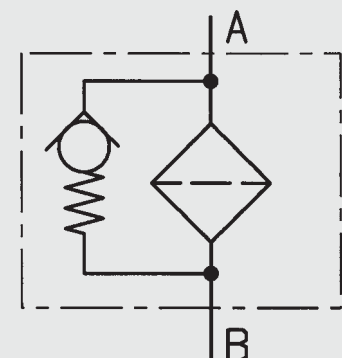
1.9 COMPATIBILITY WITH HYDRAULIC FLUIDS ISO 2943

- Hydraulic oils H to HLPD DIN 51524
- Lubrication oils DIN 51517, API, ACEA, DIN 51515, ISO 6743
- Compressor oils DIN 51506
- Biodegradable operating fluids VDMA 24568 HETG, HEES, HEPG
- Fire-resistant fluids HFA, HFB, HFC and HFD
- Operating fluids with high water content (>50% water content) on request

1.10 IMPORTANT INFORMATION

- Filter housings must be earthed.
- When using electrical clogging indicators, the electrical power supply to the system must be switched off before removing the clogging indicator connector.
- Filters must be flexibly mounted and not fixed rigidly to the floor or used as a pipe support.

Symbol for hydraulic systems



2. MODEL CODE (also order example)

RFL BN/HC 1300 C K 10 D 1 . X /-L24

2.1 COMPLETE FILTER

Filter type _____

RFL

Filter material of element _____

BN/HC Betamicon® (BN4HC) P/HC Paper AM Aquamicon®
 V Stainless steel fibre W/HC Wire mesh BN/AM Betamicon®/Aquamicon®

Size of filter or element _____

RFL: 1300, 1303, 1320, 1323, 2500, 2503, 2520, 2523, 4000, 4003, 4020, 4023, 5200, 5203, 5220, 5223, 6500, 6503, 6520, 6523, 7800, 7803, 7820, 7823, 15000, 15003, 15020, 15023

Operating pressure _____

C = 16 bar

Type and size of connection _____

Type	Port thread	Filter size							
		1300	1320	2500	4000	5200	6500	7800	15000
		1303	1323	2503	4003	5203	6503	7803	15003
				2520	4020	5220	6520	7820	15020
				2523	4023	5223	6523	7823	15023
K	DIN DN 40	●	●						
L	DIN DN 50	●	●	●					
M	DIN DN 65	●	●	●					
Q	DIN DN 80	●	●	●	●	●			
R	DIN DN 100	●	●	●	●	●	●	●	
U	DIN DN 125		●	●	●	●	●	●	
V	DIN DN 150			●	●	●	●	●	
W	DIN DN 200				●	●	●	●	●
X	DIN DN 250					●	●	●	●
Y	DIN DN 300								●

Filtration rating in µm _____

BN/HC, V: 3, 5, 10, 20 P/HC: 10, 20 AM: 40
 W/HC: 25, 50, 100, 200 BN/AM: 3, 10

Type of clogging indicator _____

Y plastic blanking plug in indicator port
 A steel blanking plug in indicator port
 B visual
 C electrical
 D visual and electrical
 for other clogging indicators, see brochure no. 7.050./..

Type code _____

1

Modification number _____

X the latest version is always supplied

Supplementary details _____

B. special cracking pressure of bypass (e.g. B1 = 1 bar)
 DH cover plate lifting device
 KB without bypass valve
 L... light with appropriate voltage (24V, 48V, 110V, 220V)
 LED 2 light emitting diodes up to 24 Volt
 OR O-ring groove on the DIN flange (inlet and outlet) to Rexroth standard AB 22-04
 RE sealing strip E on the flange (inlet and outlet): surface finish 3.6 µm
 V FPM seals
 33 inlet and outlet positioned one above the other

2.2 REPLACEMENT ELEMENT

1300 R 010 BN4HC /-V

Size _____

0850, 1300, 1700, 2600

Type _____

R

Filtration rating in µm _____

BN4HC, V: 003, 005, 010, 020 P/HC: 010, 020 AM: 040
 W/HC: 025, 050, 100, 200 BN4AM: 003, 010

Filter material _____

BN4HC, V, W/HC, P/HC, BN4AM, AM

Supplementary details _____

V (for descriptions, see point 2.1)

2.3 REPLACEMENT CLOGGING INDICATOR

VM 2 D . X /-L24

Type _____

VM differential pressure measurement up to 210 bar operating pressure

Pressure setting _____

2 standard 2 bar, others on request

Type of clogging indicator (see Point 2.1) _____

Modification number _____

X the latest version is always supplied

Supplementary details _____

L..., LED, V (for descriptions, see point 2.1)

3. FILTER CALCULATION / SIZING

The total pressure drop of a filter at a certain flow rate Q is the sum of the housing Δp and the element Δp and is calculated as follows:

$$\Delta p_{\text{total}} = \Delta p_{\text{housing}} + \Delta p_{\text{element}}$$

$$\Delta p_{\text{housing}} = (\text{see Point 3.1})$$

$$\Delta p_{\text{element}} = Q \cdot \frac{SK^*}{1000} \cdot \frac{\text{viscosity}}{30}$$

(*see point 3.2)

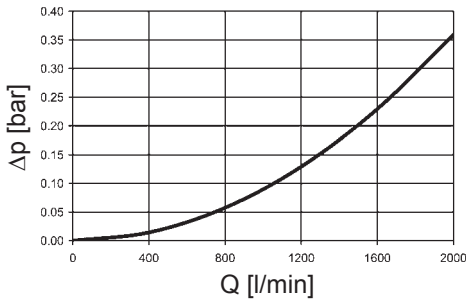
For ease of calculation, our Filter Sizing Program is available on request free of charge.

NEW: Sizing online at www.hydac.com

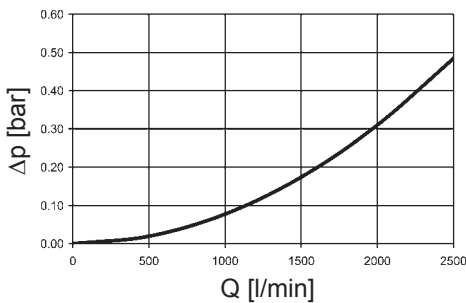
3.1 Δp -Q HOUSING CURVES BASED ON ISO 3968

The housing curves apply to mineral oil with a density of 0.86 kg/dm³ and a kinematic viscosity of 30mm²/s. In this case, the differential pressure changes proportionally to the density.

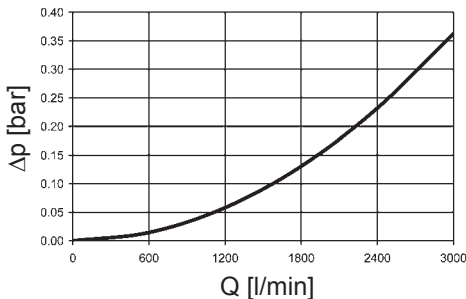
RFL 1300, 1303



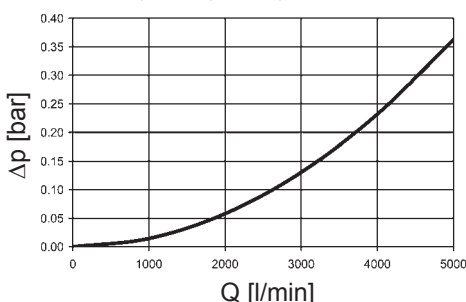
RFL 1320, 1323



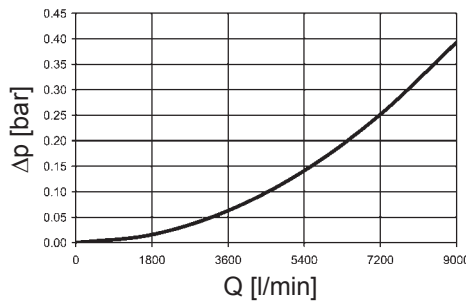
RFL 2500, 2503, 2520, 2523



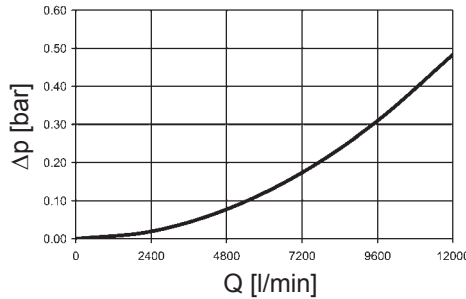
RFL 4000, 4003, 4020, 4023



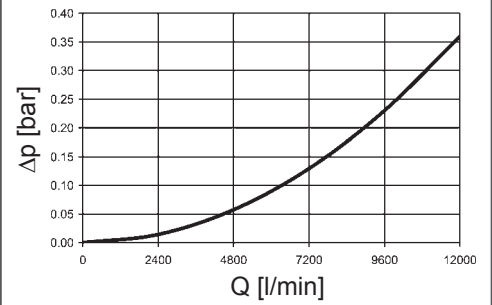
RFL 5200, 5203, 5220, 5223



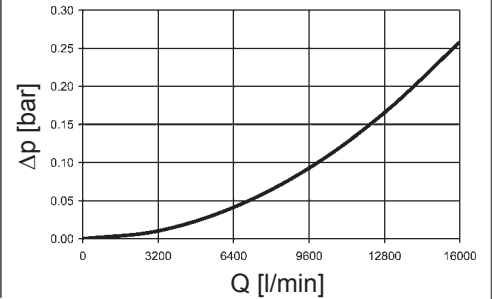
RFL 6500, 6503, 6520, 6523



RFL 7800, 7803, 7820, 7823



RFL 15000, 15003, 15020, 15023

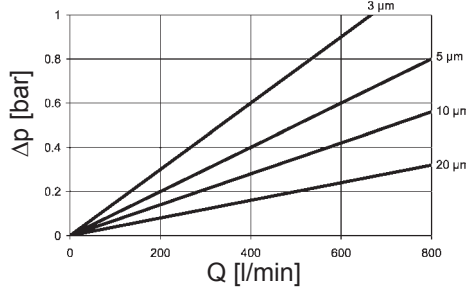


3.2 GRADIENT COEFFICIENTS (SK) FOR FILTER ELEMENTS

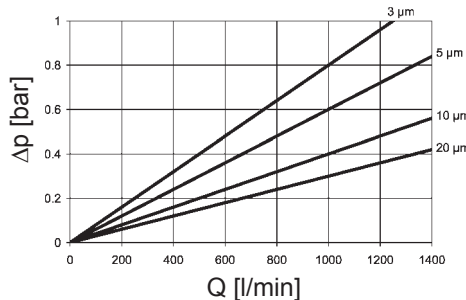
The gradient coefficients in mbar/(l/min) apply to mineral oils with a kinematic viscosity of 30 mm²/s. The pressure drop changes proportionally to the change in viscosity.

RFL	V				W/HC
	3 μm	5 μm	10 μm	20 μm	
850	0.8	0.6	0.4	0.3	0.063
1300	0.5	0.4	0.3	0.2	0.045
1700	0.4	0.3	0.2	0.1	0.032
2600	0.3	0.2	0.1	0.1	0.018

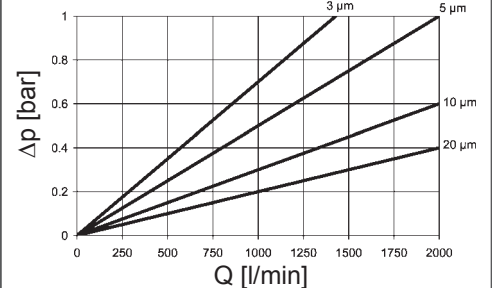
BN4HC: RFL 850



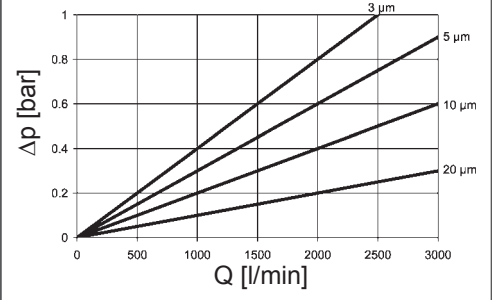
BN4HC: RFL 1300



BN4HC: RFL 1700

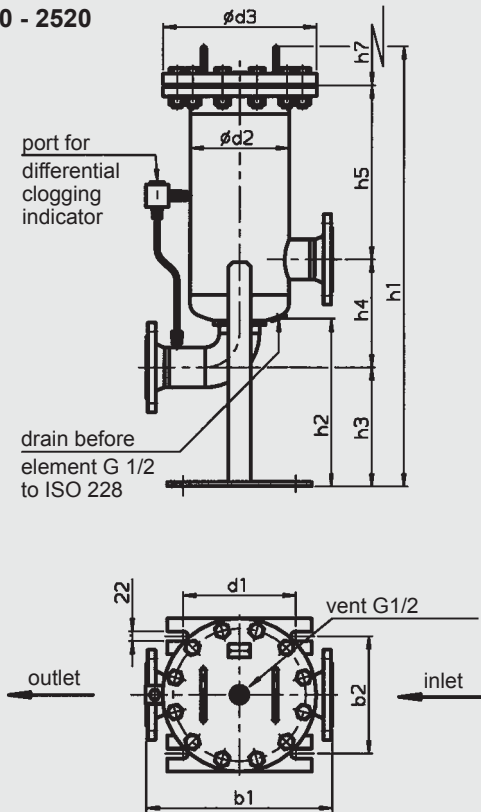


BN4HC: RFL 2600

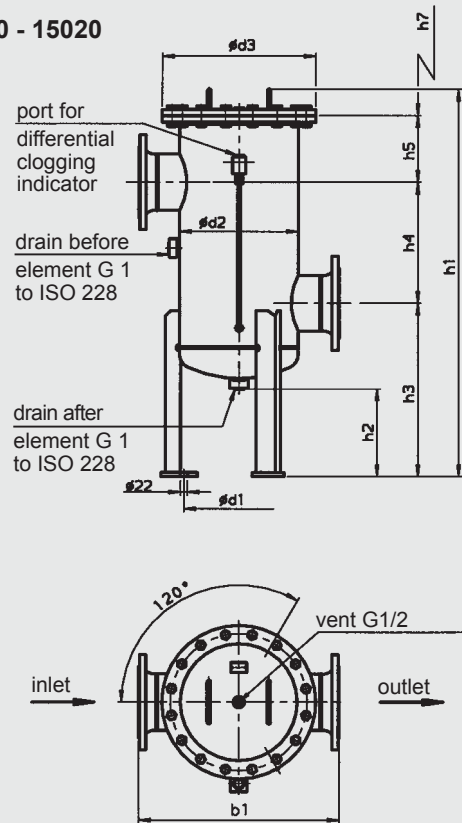


4. DIMENSIONS

RFL 1300 - 2520



RFL 4000 - 15020



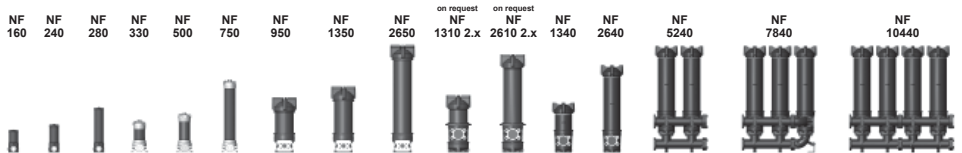
RFL	Flange b1 port	b2	d1	d2	d3	h1	h2	h3	h4	h5	h7	Weight including	Volume of pressure element [kg]	chamber [l]	
130x/132x	DIN DN 40	412	260	250	219.1	340	972/1416	370	294	212	384/824	500/940	64.1/78.1	18/33	
	DIN DN 50								266	240	384/824		64.1/78.1	18/33	
	DIN DN 65								279	227	384/824		65.1/79.1	18/33	
	DIN DN 80								266	240	384/824		67.1/81.1	19/34	
	DIN DN 100								253	275	362/802		69.1/83.1	19/34	
132x	DIN DN 125	480	260	250	219.1	340	/1416	370	215	291	/824	/940	87.1	/36	
250x/252x	DIN DN 50	466	312	250	273	360	990/1380	220	378	270	222/612	420/810	73.9/82.4	34/54	
	DIN DN 65								408	350	160/550	420/810	70.9/85.4	36/56	
	DIN DN 80								388	410	120/510	420/810	72.9/87.4	36/56	
	DIN DN 100								438	304	236/626	420/810	75.9/90.4	40/60	
	DIN DN 125								438	380	160/550	420/810	79.9/94.4	40/60	
	DIN DN 150								438	365	175/565	420/810	83.9/98.4	45/65	
400x/402x	DIN DN 80	600	-	330	355.6	460	1079/1469	266	475	410	115/505	420/810	119.5/145.0	64/99	
	DIN DN 100								475	304	221/661	420/810	121.5/147.0	65/100	
	DIN DN 125								1169/1459	525	380	185/575	420/810	127.5/153.0	75/110
	DIN DN 150								1169/1559	525	365	200/590	420/810	133.5/159.0	75/110
	DIN DN 200								1204/1594	525	365	235/625	420/810	140.5/166.0	83/118
520x/522x	DIN DN 80	600	-	380	406.4	510	1144/1584	244	465	410	191/631	500/940	158.4/202.4	89/142	
	DIN DN 100	600							465	304	297/737		160.4/204.4	90/143	
	DIN DN 125	600							525	380	271/711		170.4/214.4	104/157	
	DIN DN 150	600							525	365	286/726		175.4/219.4	106/159	
	DIN DN 200	640							525	365	286/726		179.4/223.4	110/162	
	DIN DN 250	660							560	450	236/676		194.4/238.4	125/178	
650x/652x	DIN DN 100	740	-	480	508	620	1260/1700	255	540	304	336/776	500/940	221.5/274.5	161/246	
	DIN DN 125	740							540	380	260/700		225.5/278.5	162/247	
	DIN DN 150	740							540	365	275/715		230.5/283.5	163/248	
	DIN DN 200	740							600	460	240/680		245.5/298.5	190/275	
	DIN DN 250	780							600	450	250/690		255.5/308.5	194/279	
780x/782x	DIN DN 100	740	-	480	508	620	1260/1700	255	540	304	336/776	500/940	225.6/282.6	161/246	
	DIN DN 125	740							540	380	260/700		229.6/286.6	162/247	
	DIN DN 150	740							540	365	275/715		234.6/291.6	163/248	
	DIN DN 200	740							600	460	240/680		249.6/306.6	190/275	
	DIN DN 250	780							600	450	250/690		259.6/316.6	194/279	
1500x/ 1502x	DIN DN 200	1000	-	690	711	830	1425/1865	263	655	365	330/770	500/940	476.0/570.0	391/558	
	DIN DN 250								655	450	245/685		488.0/582.0	397/564	
	DIN DN 300								670	515	235/675		513.0/607.0	426/593	

NOTE

The information in this brochure relates to the operating conditions and applications described.
For applications or operating conditions not described, please contact the relevant technical department.
Subject to technical modifications.

HYDAC FILTERTECHNIK GMBH
Industriegebiet
66280 Sulzbach/Saar, Germany
Tel.: 0 68 97 / 509-01
Fax: 0 68 97 / 509-300
Internet: www.hydac.com
E-mail: filter@hydac.com

Inline filters NF up to 3500 l/min, up to 25 bar



1. TECHNICAL SPECIFICATIONS

1.1 FILTER HOUSING Construction

The filter housings are designed in accordance with international regulations. They consist of a filter housing and a threaded cover plate. Standard equipment:

- with bypass valve
- port for clogging indicator

1.2 FILTER ELEMENTS

HYDAC filter elements are validated and their quality is constantly monitored according to the following standards:

- ISO 2941
- ISO 2942
- ISO 2943
- ISO 3724
- ISO 3968
- ISO 11170
- ISO 16889

Contamination retention capacities in g

		Betamicon® (BN4HC)			
NF	Elemente	3 µm	5 µm	10 µm	20 µm
160	1x0160R	18.6	20.7	24.9	28.1
240	1x0240R	29.3	32.5	39.1	44.2
280	1x0280R	62.3	69.0	83.0	93.9
330	1x0330R	38.4	42.6	51.2	57.9
500	1x0500R	58.9	65.3	78.6	88.9
750	1x0750R	147.1	163.0	196.1	221.9
950	1x0950R	130.0	144.1	173.3	196.1
13xx	1x1300R	181.0	200.7	241.4	273.1
26xx	1x2600R	369.4	409.4	492.5	557.2
5240	2x2600R	738.8	818.8	985.0	1114.4
7840	3x2600R	1108.2	1228.2	1477.5	1671.6
10440	4x2600R	1477.6	1637.6	1970.0	2228.8

Filter elements are available with the following pressure stability values:

Betamicon® (BN4HC):	20 bar
Stainl. steel wire mesh (W/H):	20 bar
Stainless steel fibre (V):	30 bar
ECOMICRON® (ECON2):	10 bar
Paper (P/H):	10 bar
Betamicon®/Aquamicron® (BN4AM):	10 bar
Aquamicron® (AM):	10 bar

1.3 FILTER SPECIFICATIONS

Nominal pressure	25 bar
Max. operating pressure	30 bar at max. 10 ⁶ cycles
Temperature range	-10 °C to +100 °C
Material of filter head	Aluminium
Material of tube (housing)	Steel up to NF 750 Aluminium for NF 950 and above
Material of cover plate	Aluminium
Type of clogging indicator	VM (differential pressure measurement)
Pressure setting of the clogging indicator	2 bar (others on request)
Bypass cracking pressure	3 bar (others on request)

1.4 SEALS

NBR (= Perbunan)

1.5 MOUNTING

As inline filter

1.6 SPECIAL MODELS AND ACCESSORIES

- Mounting bracket for NF 1310, 1340, 2610, 2640
- Mounting flange for NF 1340/2640
- Filling connection for NF 330, 500, 750, 950, 1350, 2650 on the contaminated side
- Foot bracket option for NF 160-750, 950, 1350, 2650
- Quick release coupling on the filling connection for NF 160, 240, 280
- Check valve on the clean side for NF 160, 240, 280
- For applications up to 40 bar, please make separate request! (only for NF 950, 1350, 2650)
- NF filter as tank-top return line filter (type code 1.x) and as inline filter (horizontal inlet flange at top, outlet vertical; (type code 3.x) on request)

1.7 SPARE PARTS

See Original Spare Parts List

1.8 CERTIFICATES AND APPROVALS

On request

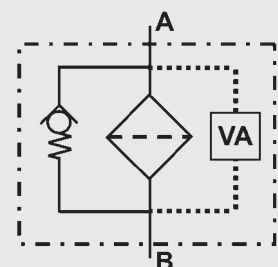
1.9 COMPATIBILITY WITH HYDRAULIC FLUIDS ISO 2943

- Hydraulic oils H to HLPD DIN 51524
- Lubrication oils DIN 51517, API, ACEA, DIN 51515, ISO 6743
- Compressor oils DIN 51506
- Biodegradable operating fluids VDMA 24568 HETG, HEES, HEPG
- Fire-resistant fluids HFA, HFB, HFC and HFD
- Operating fluids with high water content (>50% water content) on request

1.10 IMPORTANT INFORMATION

- Filter housings must be earthed.
- When using visual clogging indicators, the BM version (visual with manual reset) only should be used.
- When using electrical clogging indicators, the electrical power supply to the system must be switched off before removing the clogging indicator connector.

Symbol for hydraulic systems



VA = clogging indicator

2. MODEL CODE (also order example)

NF BN/HC 2640 D P 10 D 2 . X /-L24

2.1 COMPLETE FILTER

Filter type

NF

Filter material of element

BN/HC: Betamicon® (BN4HC) P/HC: Paper V: Stainless steel fibre

ECO/N: ECOmicron® (ECON2) BN/AM: Betamicon®/Aquamicron®

W/HC: Stainless steel wire mesh AM: Aquamicron®

Size of filter or element

NF: 160, 240, 280, 330, 500, 750, 950, 1310, 1340, 1350, 2610, 2640, 2650, 5240, 7840, 10440

Operating pressure

D = 25 bar

Type and size of port

Type	Port	Filter size															
		160	240	280	330	500	750	950	1310	1340	1350	2610	2640	2650	5240	7840	10440
E	G1¼	●	●	●													
K	SAE DN 40 (1½")				●	●	●										
L	SAE DN 50 (2")							●		●				●			
M	SAE DN 65 (2½")									●				●			
N	SAE DN 80 (3")							●		●				●			
P	SAE DN 100 (4")							●	○	●	●	○	●	●	●	●	●

○ = Discontinued model

Filtration rating in µm

BN/HC, ECO/N, V: 3, 5, 10, 20 BN/AM: 3, 10 P/HC: 10, 20

W/HC: 25, 50, 100, 200 AM: 40

Type of clogging indicator

- A with steel blanking plug in indicator port
 - BM visual
 - C electrical
 - D visual and electrical
- for other clogging indicators see brochure no. 7.050../..

Type code (TKZ)

2

Modification number

X the latest version is always supplied

Supplementary details

- B special cracking pressure of bypass (e. g.: B6 = 6 bar); no details = standard 3 bar
 - EM manual vent with shut-off valve
 - EP permanent vent via Minimesse hose
 - FF mounting flange for NF 1340/2640
 - KB without bypass valve
 - L... light with appropriate voltage (24, 48, 110, 220 Volt)
 - LED 2 light emitting diodes up to 24 Volt
 - SB4 filling line with Ø 4 mm orifice
 - SL each filter housing can be shut-off individually
 - V FPM seals
- only for clogging indicators type "D"

2.2 REPLACEMENT ELEMENT

2600 R 010 BN4HC /-V

Size

0160, 0240, 0280, 0330, 0500, 0750, 0950, 1300, 2600

Type

R

Filtration rating in µm

BN4HC, ECON2, V: 003, 005, 010, 020 BN4AM: 003, 010 P/HC: 010, 020

W/HC: 025, 050, 100, 200 AM: 040

Filter material

BN4HC, ECON2, V, W/HC, BN4AM, AM, P/HC

Supplementary details

V (for descriptions, see point 2.1)

2.3 REPLACEMENT CLOGGING INDICATOR

VM 5 D . X /-L24

(IMPORTANT: the clogging indicator must not be screwed into the cover plate)

Type

VM differential pressure indicator

Pressure setting

2 2 bar (5 = 5 bar), others on request

Type of clogging indicator (see point 2.1)

Modification number

X the latest version is always supplied

Supplementary details

L..., LED, V (for descriptions, see point 2.1)

3. FILTER CALCULATION / SIZING

The total pressure drop of a filter at a certain flow rate Q is the sum of the housing Δp and the element Δp and is calculated as follows:

$$\Delta p_{\text{total}} = \Delta p_{\text{housing}} + \Delta p_{\text{element}}$$

$$\Delta p_{\text{housing}} = (\text{see Point 3.1})$$

$$\Delta p_{\text{element}} = Q \cdot \frac{SK^*}{1000} \cdot \frac{\text{viscosity}}{30}$$

(*see point 3.2)

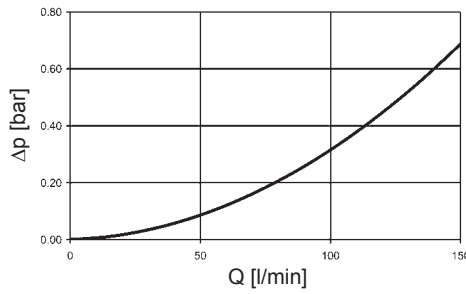
For ease of calculation, our Filter Sizing Program is available on request free of charge.

NEW: Sizing online at www.hydac.com

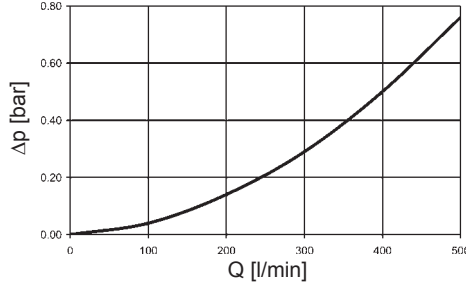
3.1 Δp -Q HOUSING CURVES BASED ON ISO 3968

The housing curves apply to mineral oil with a density of 0.86 kg/dm³ and a kinematic viscosity of 30mm²/s. In this case, the differential pressure changes proportionally to the density.

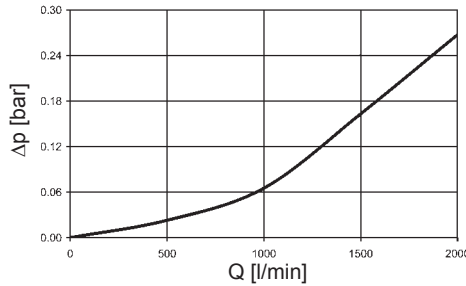
NF 160, 240, 280



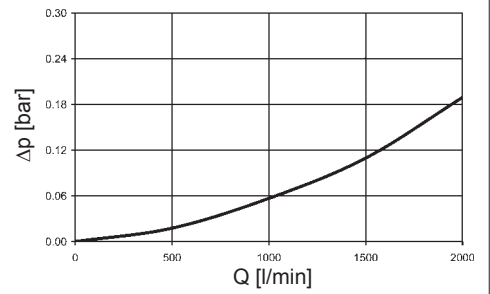
NF 330, 500, 750



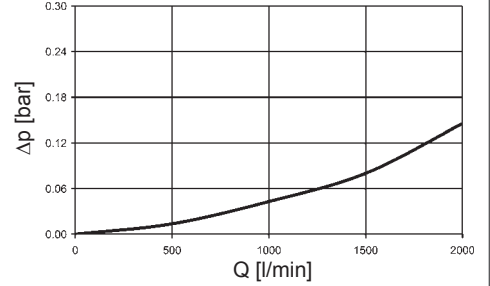
**NF 1310, 2610
NF 1340, 2640
NF 950, 1350, 2650**



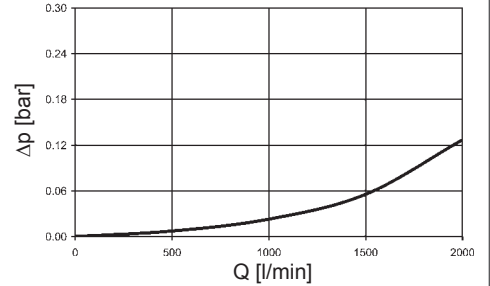
NF 5240



NF 7840



NF 10440

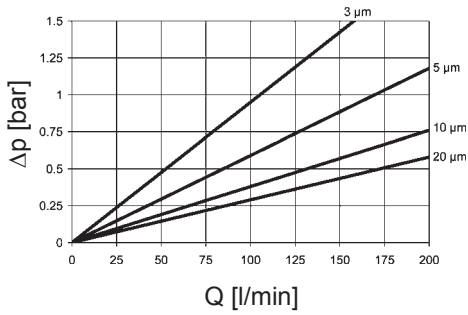


3.2 GRADIENT COEFFICIENTS (SK) FOR FILTER ELEMENTS

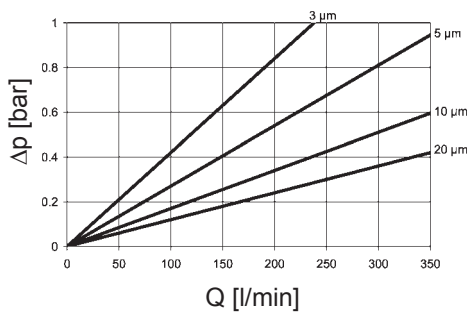
The gradient coefficients in mbar/(l/min) apply to mineral oils with a kinematic viscosity of 30 mm²/s. The pressure drop changes proportionally to the change in viscosity.

	V				W/HC	ECON2			
	3 μm	5 μm	10 μm	20 μm		–	3 μm	5 μm	10 μm
160	4.9	3.5	2.4	1.5	0.338	9.5	5.9	3.8	2.9
240	3.2	2.6	1.7	1.2	0.225	6.2	3.8	2.6	1.8
280	1.4	1.1	0.7	0.5	0.115	3.1	2.2	1.6	1.0
330	2.1	1.7	1.1	0.8	0.162	4.2	2.7	1.7	1.2
500	1.5	1.2	0.8	0.5	0.108	3.0	1.9	1.3	0.8
750	0.6	0.5	0.3	0.2	0.049	1.3	0.9	0.6	0.4
950	0.7	0.6	0.4	0.2	0.054	1.2	0.8	0.5	0.4
1300	0.5	0.4	0.3	0.2	0.045	0.8	0.6	0.4	0.3
2600	0.3	0.2	0.1	0.1	0.018	0.4	0.3	0.2	0.1

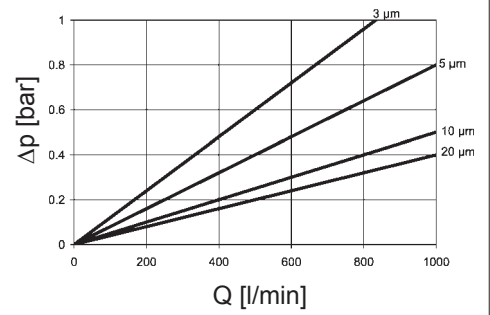
BN4HC: 160 R...



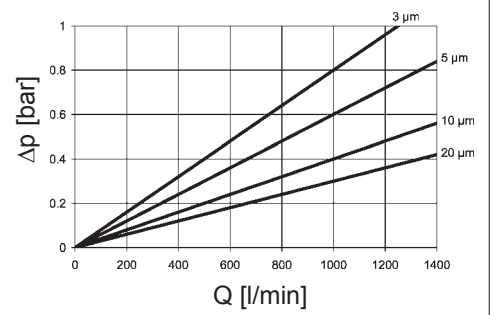
BN4HC: 330 R...



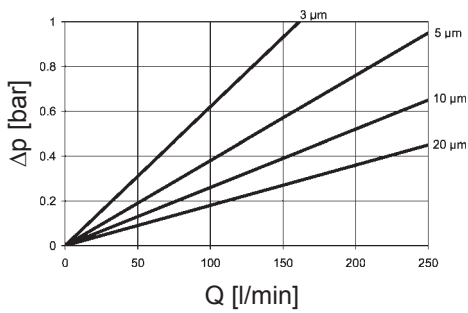
BN4HC: 950 R...



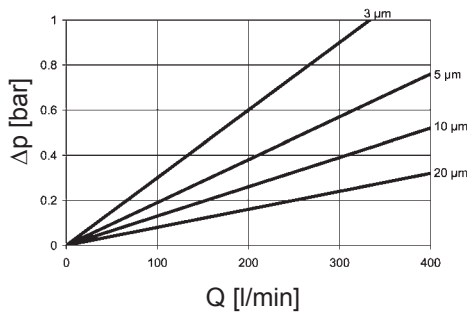
BN4HC: 1300 R...



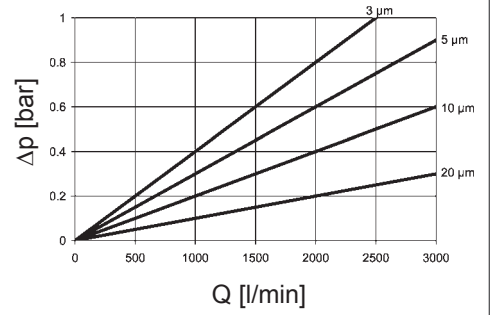
BN4HC: 240 R...



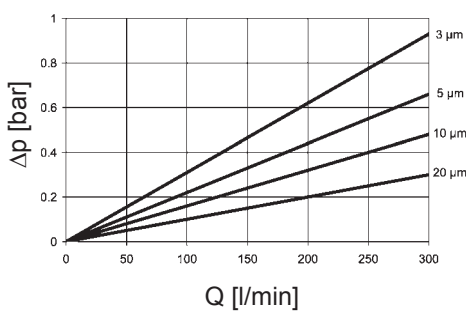
BN4HC: 500 R...



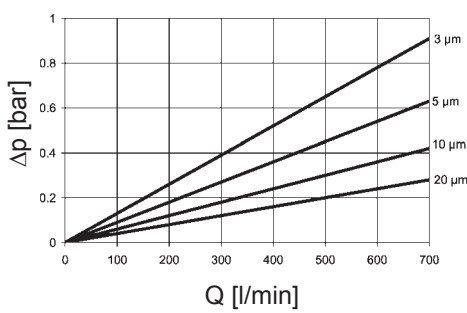
BN4HC: 2600 R...



BN4HC: 280 R...

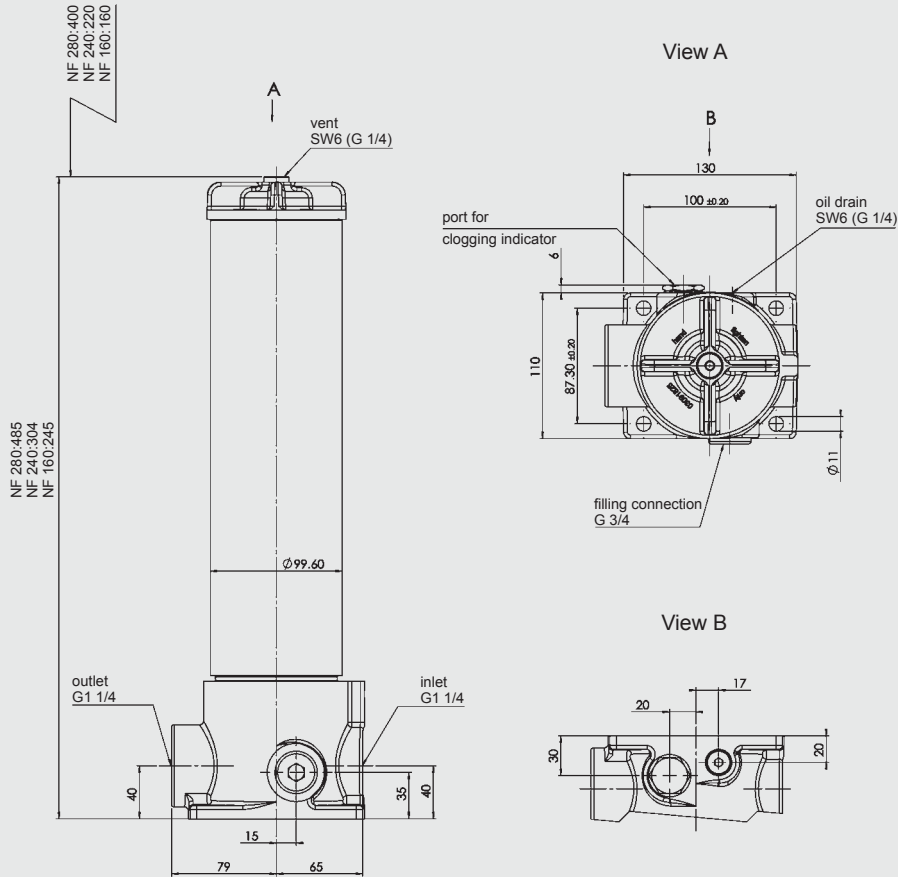


BN4HC: 750 R...

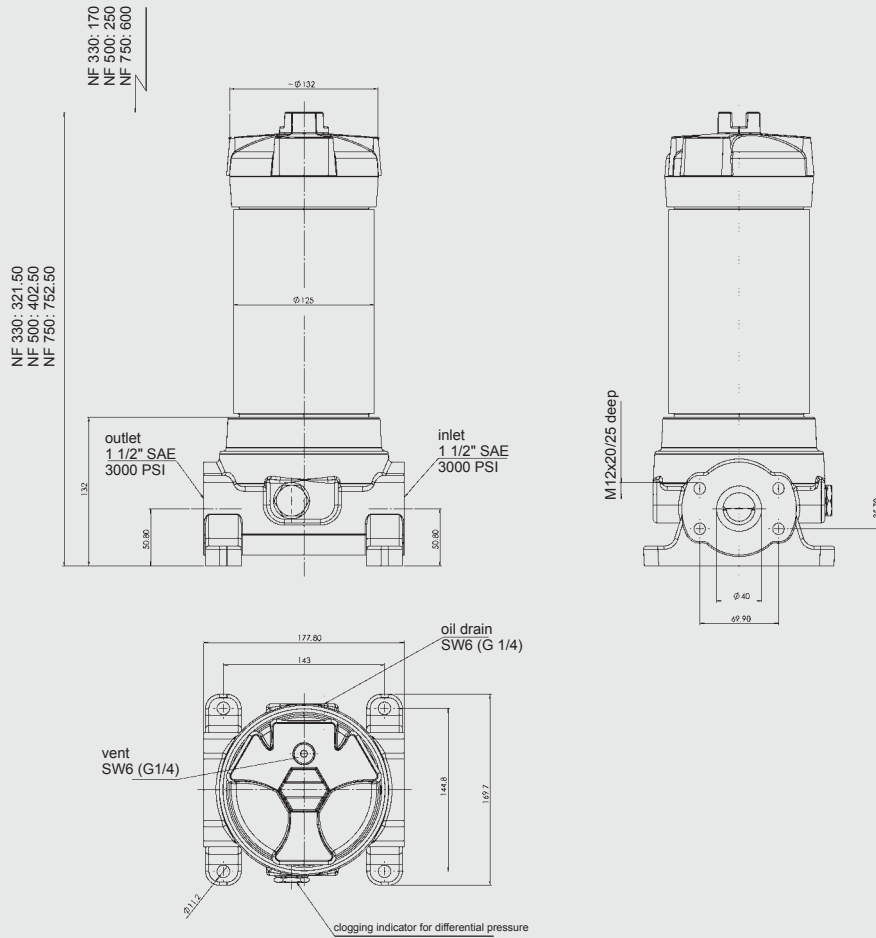


4. DIMENSIONS

NF 160-280



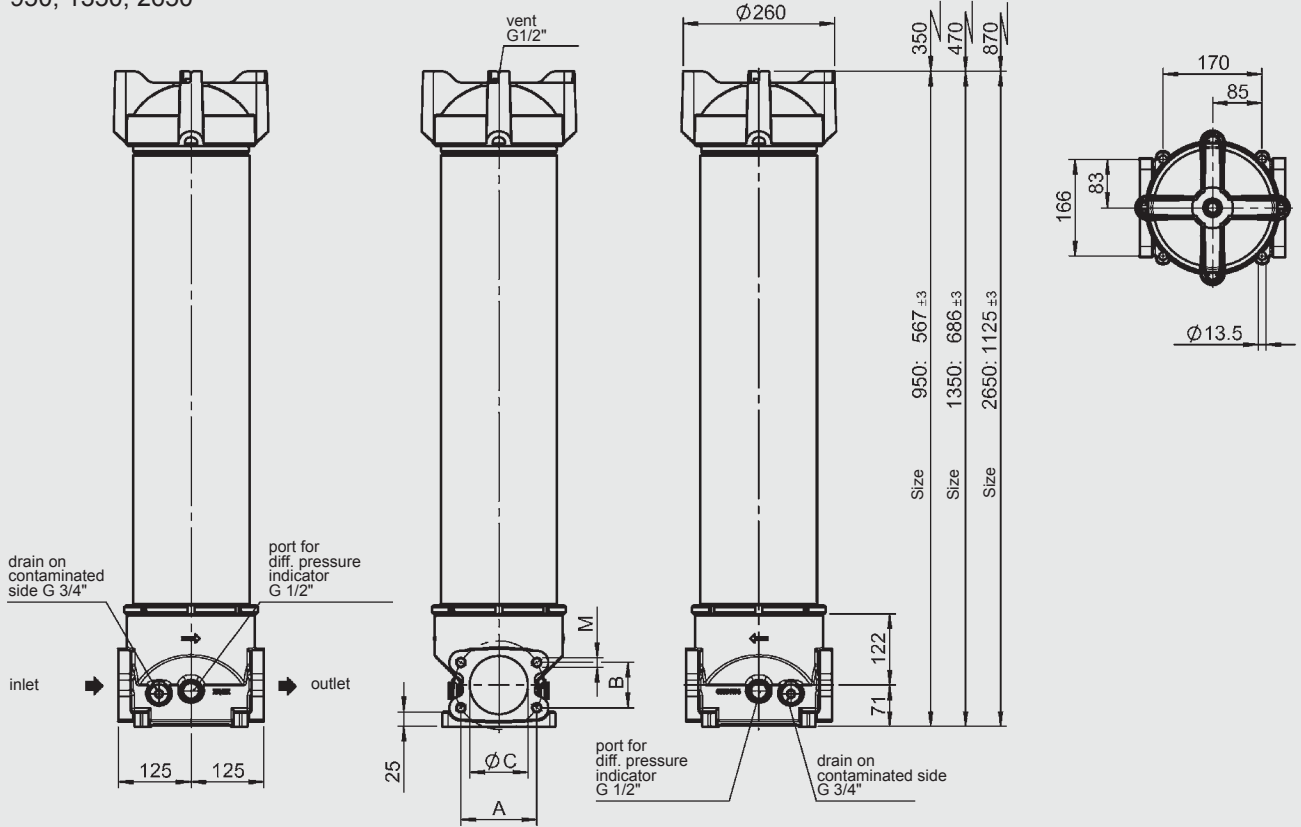
NF 330-750



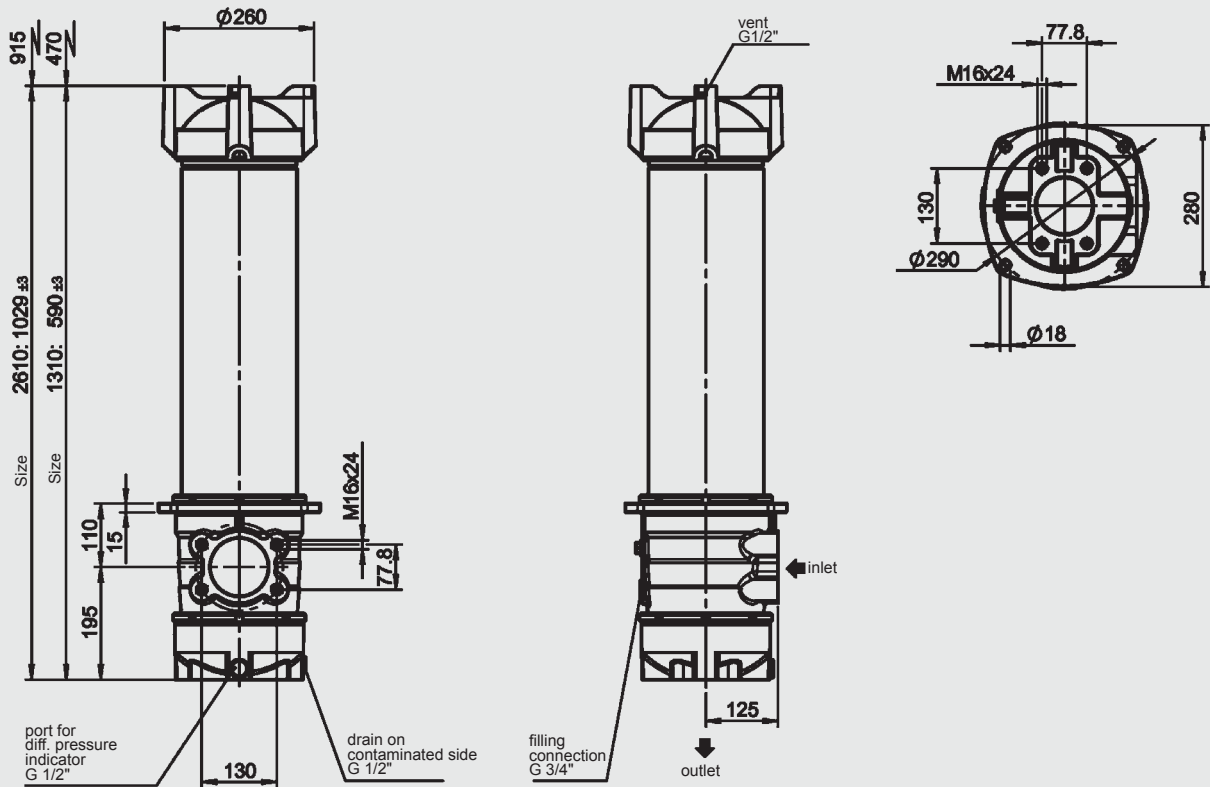
NF	No. of elements	Weight incl. element [kg]	Vol. of pressure chamber [l]
160	1x0160 R...	4.5	0.8
240	1x0240 R...	5.6	1.1
280	1x0280 R...	9.1	2.1

NF	No. of elements	Weight incl. element [kg]	Vol. of pressure chamber [l]
330	1x0330 R...	7.8	2.05
500	1x0500 R...	9.0	2.80
750	1x0750 R...	14.1	6.08

NF 950, 1350, 2650



NF 1310/2610 ... 2.X (on request)



Port	A	B	ØC	M
SAE DN 50 (2")	77.8	42.9	50	M12x15
SAE DN 65 (2½")	88.9	50.8	65	M12x15
SAE DN 80 (3")	106.4	62.9	75	M16x24
SAE DN 100 (4")	130.2	77.8	100	M16

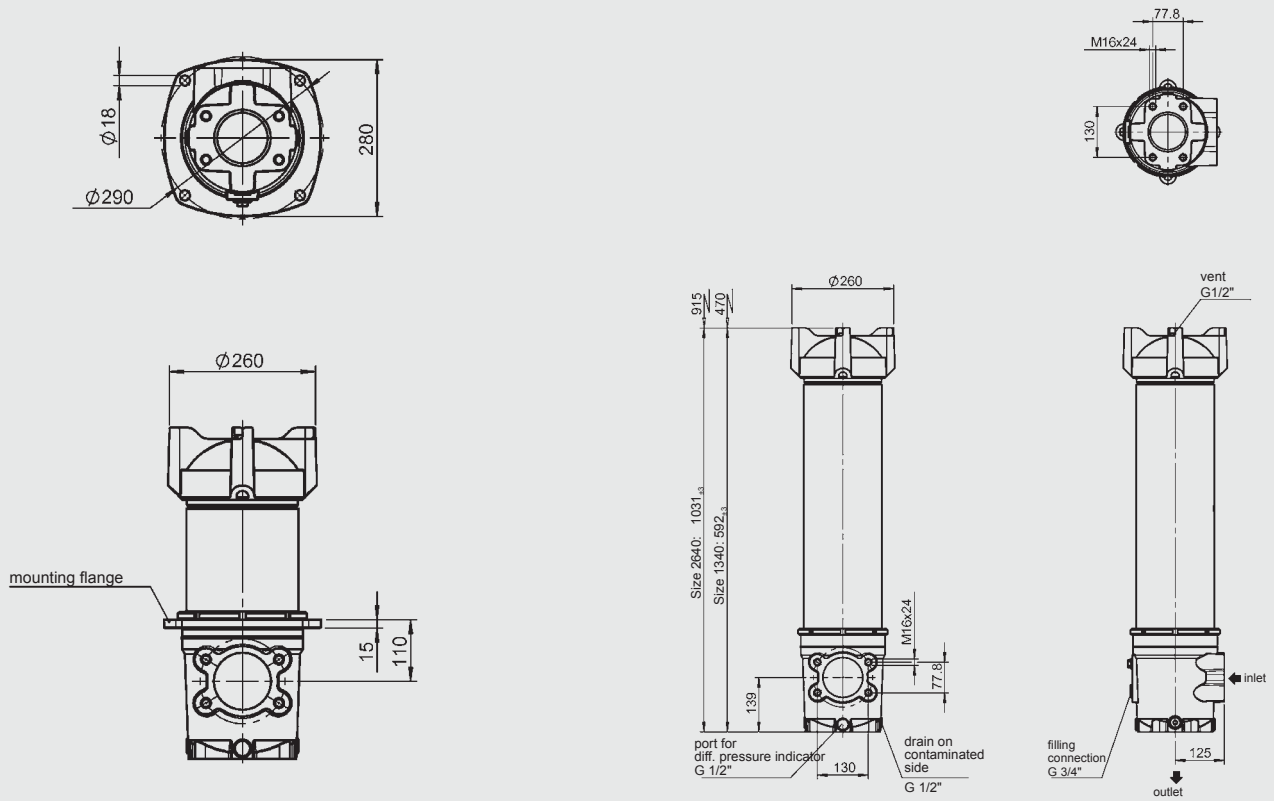
NF	No. of elements	Weight incl. element [kg]	Vol. of pressure chamber [l]
1310...2.X	1x1300 R...	17	14

NF	No. of elements	Weight incl. element [kg]	Vol. of pressure chamber [l]
950	1x0950 R...	16	10
1350	1x1300 R...	18	13
2650	1x2600 R...	25	25

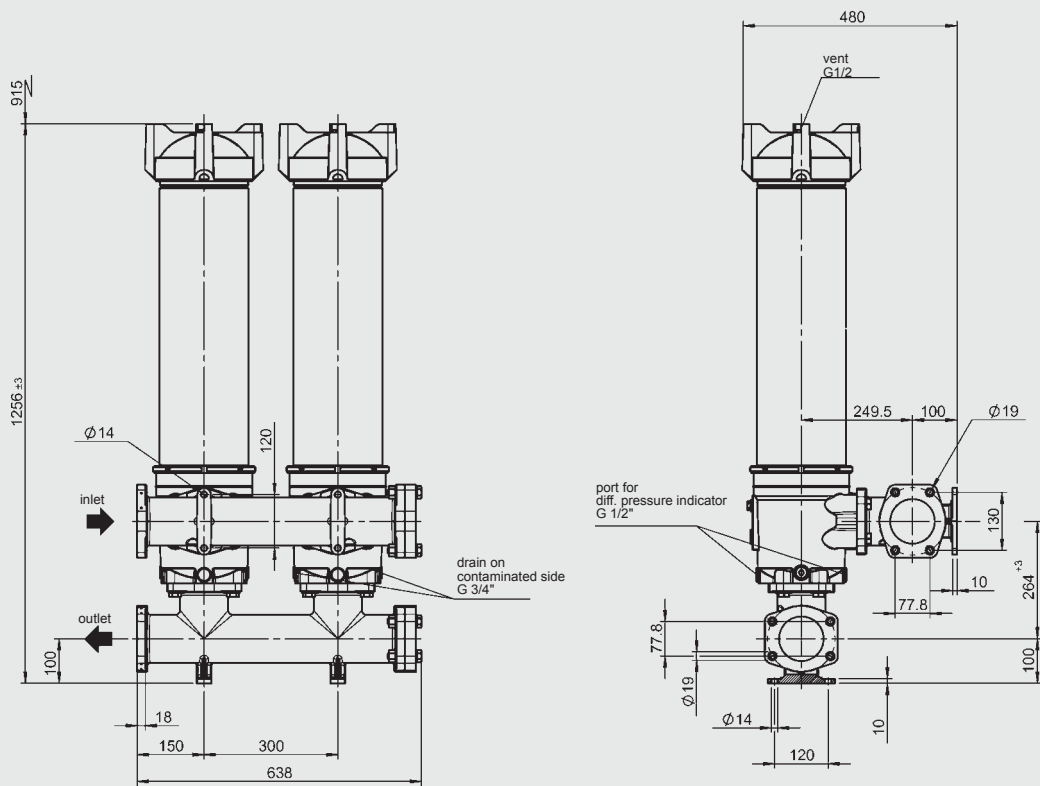
NF	No. of elements	Weight incl. element [kg]	Vol. of pressure chamber [l]
2610...2.X	1x2600 R...	23	25

NF 1340/2640 ... 2.X/-FF

NF 1340/2640 ... 2.X



NF 5240 ... 2.X

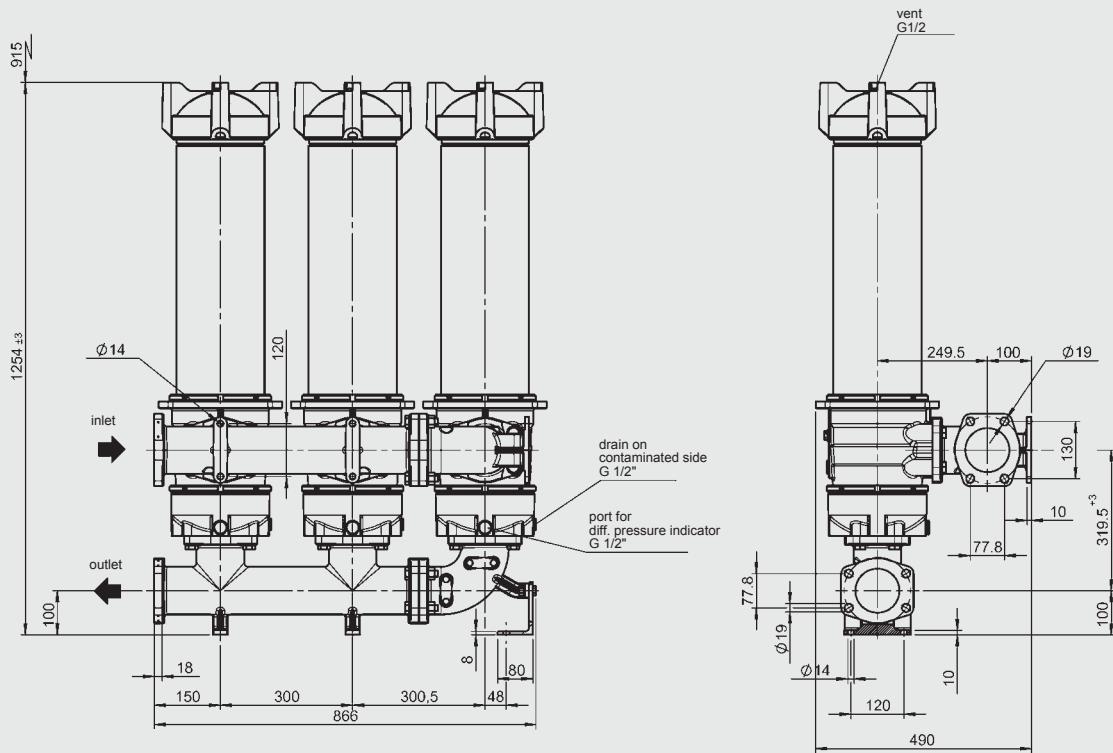


NF	No. of elements	Weight incl. element [kg]	Vol. of pressure chamber [l]
1340...2.X	1x1300 R...	17	14

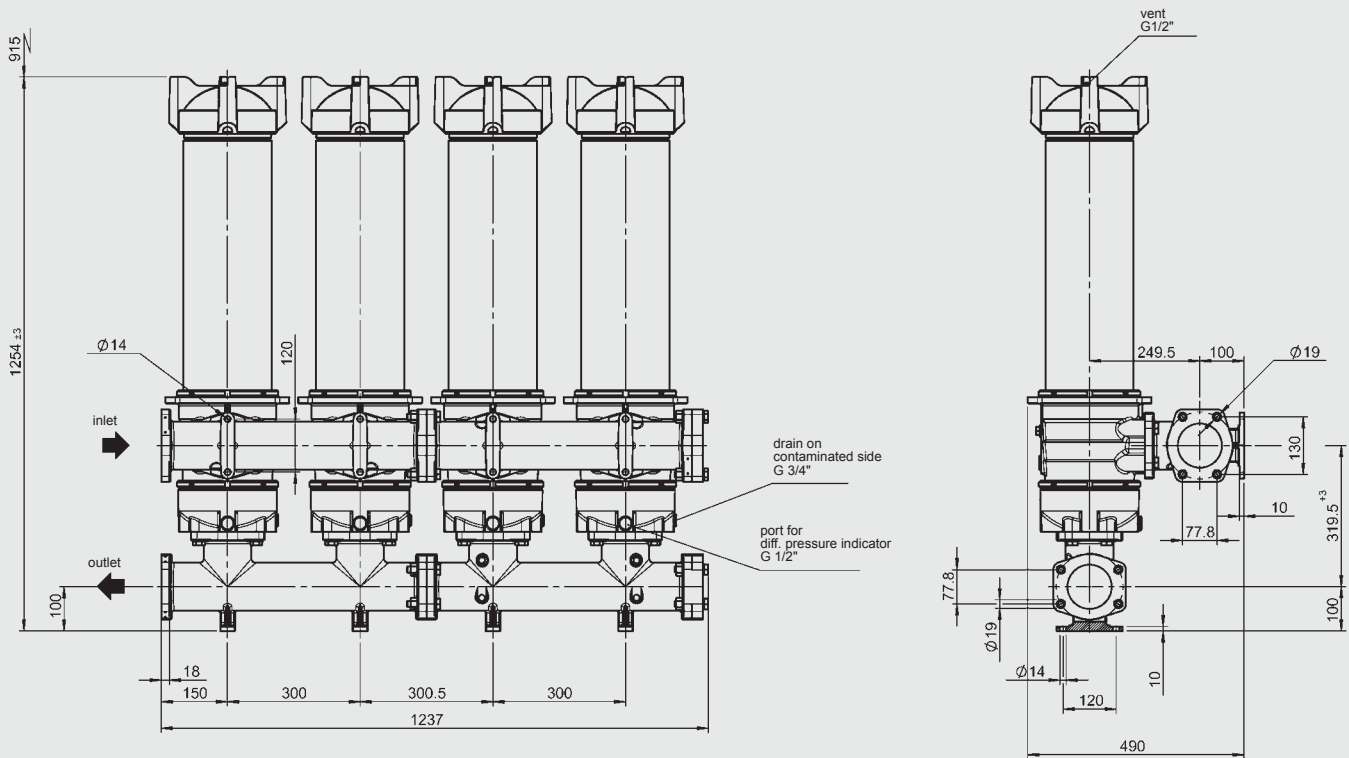
NF	No. of elements	Weight incl. element [kg]	Vol. of pressure chamber [l]
2640...2.X	1x2600 R...	23	25

NF	No. of elements	Weight incl. element [kg]	Vol. of pressure chamber [l]
5240...2.X	2x2600 R...	90	60

NF 7840 2.x



NF 10440 2.x



NF	No. of elements	Weight incl. element [kg]	Vol. of pressure chamber [l]
7840	3x2600 R...	125	88

NF	No. of elements	Weight incl. element [kg]	Vol. of pressure chamber [l]
10440	4x2600 R...	180	120

NOTE

The information in this brochure relates to the operating conditions and applications described. For applications or operating conditions not described, please contact the relevant technical department. Subject to technical modifications.

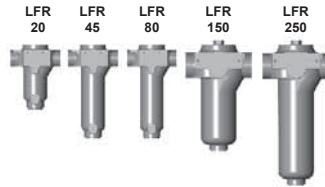
HYDAC FILTERTECHNIK GMBH

Industriegebiet
D-66280 Sulzbach/Saar, Germany
 Tel.: 0 68 97 / 509-01
 Fax: 0 68 97 / 509-300
 Internet: www.hydac.com
 E-mail: filter@hydac.com



Inline Filters LFR

up to 250 l/min, up to 120 bar



**ELEMENT FLOW
DIRECTION FROM IN TO
OUT**

1. TECHNICAL SPECIFICATIONS

1.1 FILTER HOUSING

Construction

The filter housings are designed in accordance with international regulations. They consist of a filter housing and a screw-on cover plate. The element is top-removable.

Standard equipment:

- mounting holes in the housing
- magnetic core built into cover plate
- without bypass valve
- oil drain plug

1.2 FILTER ELEMENTS

HYDAC filter elements are validated and their quality is constantly monitored according to the following standards:

- ISO 2941, ISO 2942, ISO 2943
- ISO 3968, ISO 11170, ISO 16889

Contamination retention capacities in g

	Glass fibre (ULP)		
	5 µm	10 µm	25 µm
20	1.45	2.61	2.9
45	3.35	6.03	6.7
80	4.18	7.51	8.35
150	5.25	9.45	10.5
250	8.5	15.3	17

	Glass fibre with pre-filter (UHC)		
	5 µm	10 µm	20 µm
20	4.64	6.96	7.83
45	10.72	16.08	18.09
80	13.36	20.04	22.55
150	16.8	25.2	28.35
250	27.2	40.8	45.9

Filter elements are available with the following pressure stability values:

Glass fibre (ULP):	6 bar
Glass fibre with pre-filter (UHC):	6 bar
Wire mesh (WR):	6 bar
Other filtration ratings on request	

1.3 SEALS

NBR (= Perbunan)

1.4 SPECIAL MODELS

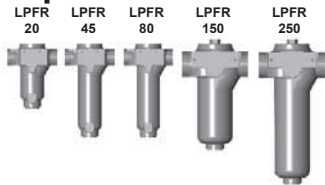
- Port for clogging indicator
- Without magnetic core
- Bypass valve built into the head
- Seals in FPM, EPDM

FILTER SPECIFICATIONS

Nominal pressure	120 bar
Temperature range	-10 °C to +120 °C
Material of filter housing	EN-GJS
Material of cover plate	EN-GJS: LFR 20 to 80 9SMn28k: LFR 150 to 250
Type of clogging indicator	VM (differential pressure measurement up to 210 bar operating pressure)
Pressure setting of the clogging indicator	2 bar (others on request)
Bypass cracking pressure (optional)	2.5 bar (others on request)

Inline Filter LPFR

up to 250 l/min, up to 25 bar



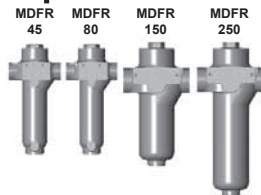
**ELEMENT FLOW
DIRECTION FROM IN TO
OUT**

FILTER SPECIFICATIONS

Nominal pressure	25 bar
Temperature range	-10 °C to +120 °C
Material of filter housing	EN-GJS: LPFR 20 to 250
Material of cover plate	EN-GJS: LPFR 20 to 80 EN-GJL: LPFR 150 to 250
Type of clogging indicator	VM (differential pressure measurement up to 210 bar operating pressure)
Pressure setting of the clogging indicator	2 bar (others on request)
Bypass cracking pressure (optional)	2.5 bar (others on request)

Inline Filter MDFR

up to 250 l/min, up to 250 bar



**ELEMENT FLOW
DIRECTION FROM IN TO
OUT**

FILTER SPECIFICATIONS

Nominal pressure	250 bar
Temperature range	-10 °C to +120 °C
Material of filter housing	EN-GJS
Material of cover plate	S355JR: MDFR 45 to 80 EN-GJS: MDFR 150 to 250
Type of clogging indicator	VD (differential pressure measurement up to 400 bar operating pressure)
Pressure setting of the clogging indicator	2 bar (others on request)
Bypass cracking pressure (optional)	2.5 bar (others on request)

2. MODEL CODE

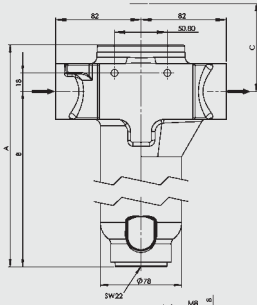
2.1 COMPLETE FILTER

Type	Filter material of element	Size	Operating pressure	Port	Filtration rating	Clogging indicator (VA)	Type code	Modification number	Supplementary details
LFR	ULP =Glass fibre	20*	D =25 bar (only LPFR)	B =G 1/2	5	W =no port for indicator	1 =indic. on right in flow direction	.x = the latest version is always supplied	-V = FPM direction (Viton) -B = special bypass cracking pressure -OM = without magnetic core
LPFR	UHC =Glass fibre with pre-filter	45	I =120 bar (only LFR)	C =G 3/4	10	B =visual	2 =indic. on left in flow direction		
MDFR	WR =Wire mesh	80	M =250 bar (only MDFR)	D =G1	20(UHC)	C =electrical	3 =no indic.		
		150		F =G1 1/2	25(ULP)	D =visual / electrical			

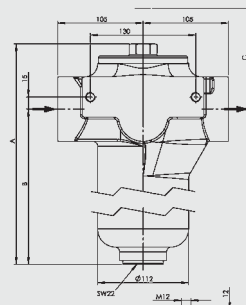
* Size 20 only possible for LPFR and LFR!

3. DIMENSIONS

LFR 20 - 80

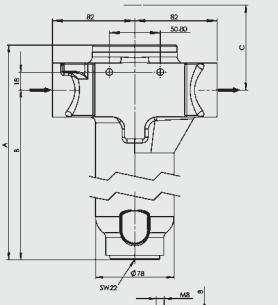


LFR 150 - 250

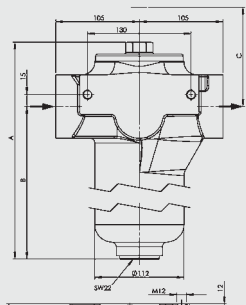


LFR	A	B	C	E	F Ø	Weight incl. element [kg]
20	212	167	180	G ½	34	5.3
45	312	267	250	G ¾	42	5.8
80	312	267	280	G 1	47	6.6
150	354	273	335	G 1½	68	14.2
250	454	373	435	G 1½	65	15.0

LPFR 20 - 80

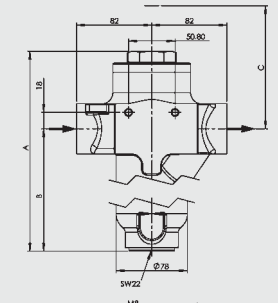


LPFR 150 - 250

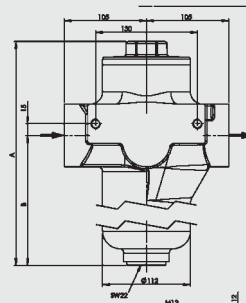


LPFR	A	B	E	F Ø	Weight incl. element [kg]
20	212	167	G ½	34	5.3
45	312	267	G ¾	42	5.8
80	312	267	G 1	47	6.6
150	354	273	G 1½	68	14.2
250	454	373	G 1½	65	15.0

MDFR 40 - 80



MDFR 150 - 250



MDFR	A	B	C	E	F Ø	Weight incl. element [kg]
45	360	274	275	G ¾	42	7.9
80	360	274	305	G 1	47	8.6
150	405	282	365	G 1½	65	18.4
250	505	382	465	G 1½	68	19.0

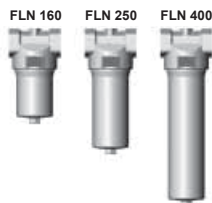
NOTE

The information in this brochure relates to the operating conditions and applications described.
For applications or operating conditions not described, please contact the relevant technical department.
Subject to technical modifications.

HYDAC FILTERTECHNIK GMBH
Industriegebiet
D-66280 Sulzbach/Saar
Tel.: 0 68 97 / 509-01
Fax: 0 68 97 / 509-300
Internet: www.hydac.com
E-Mail: filter@hydac.com



Inline Filter FLN to DIN 24550 up to 400 l/min, up to 25 bar



1. TECHNICAL SPECIFICATIONS

1.1 FILTER HOUSING

Construction

The filter housings are designed in accordance with international regulations. They consist of a filter head and a screw-in filter bowl.

Standard equipment:

- without bypass valve
- oil drain plug
- connection for a clogging indicator

1.2 FILTER ELEMENTS

HYDAC filter elements are validated and their quality is constantly monitored according to the following standards:

- ISO 2941
- ISO 2942
- ISO 2943
- ISO 3724
- ISO 3968
- ISO 11170
- ISO 16889

Contamination retention capacities in g

FLN	Betamicon® BN4HC			
	3 µm	6 µm	10 µm	25 µm
160	27.5	29.3	33.1	36.7
250	46.0	49.0	55.2	61.3
400	76.2	81.3	91.4	101.5

Filter elements are available with the following pressure stability values:
Betamicon® (BN4HC): 20 bar
Wire mesh (W/H): 20 bar

1.3 FILTER SPECIFICATIONS

Nominal pressure	25 bar
Fatigue strength	At nominal pressure 10 ⁶ cycles from 0 to nominal pressure
Temperature range	-30 °C to +100 °C
Material of filter head	Aluminium
Material of filter bowl	Aluminium
Type of indicator	VM (Diff. pressure indicator up to 210 bar operating pressure) VD (Diff. pressure indicator up to 420 bar operating pressure - only for types LE and LZ)
Pressure setting of the clogging indicator	5 bar (others on request)
Bypass cracking pressure (optional)	3.5 bar or 7 bar (others on request)

1.4 SEALS

NBR (= Perbunan)

1.5 INSTALLATION

As inline filter

1.6 SPECIAL MODELS AND ACCESSORIES

With bypass valve

1.7 SPARE PARTS

See Original Spare Parts List

1.8 CERTIFICATES AND APPROVALS

On request

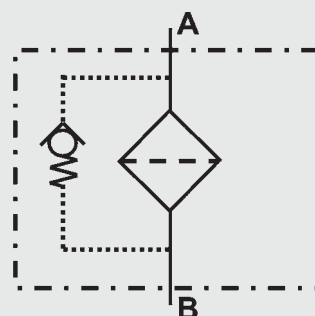
1.9 COMPATIBILITY WITH HYDRAULIC FLUIDS ISO 2943

- Hydraulic oils H to HLPD DIN 51524
- Lubrication oils DIN 51517, API, ACEA, DIN 51515, ISO 6743
- Compressor oils DIN 51506
- Biodegradable operating fluids VDMA 24568 HETG, HEES, HEPG
- Operating fluids with high water content (>50% water content) on request

1.10 MAINTENANCE INSTRUCTIONS

- Filter housings must be earthed.
- When using electrical clogging indicators, the electrical power supply to the system must be switched off before removing the clogging indicator connector.

Symbol for hydraulic systems



2. MODEL CODE (also order example)

FLN BN/HC 250 D F 10 D 1 . X /-L24

2.1 COMPLETE FILTER

Filter type _____

FLN

Filter material of element _____

BN/HC Betamicon® (BN4HC)

W/HC Stainless steel wire mesh

Size of filter or element _____

FLN: 160, 250, 400

Operating pressure _____

D = 25 bar

Type and size of port _____

to DIN 24550 (●), possible ports (X)

Type	Port	Filter size		
		160	250	400
E	G 1¼	●	X	X
F	G 1½	X	●	X
K	DN 38*	X	X	●

*Flange SAE 1½", 3000 PSI

Filtration rating in µm _____

BN/HC: 3, 6, 10, 25

W/HC: 25, 50, 100, 200

Type of clogging indicator _____

Y plastic blanking plug in indicator port

A steel blanking plug in indicator port

B visual

C electrical

D visual and electrical

LZ visual-mechanical / electrical

for other clogging indicators,
see brochure no. 7.050../..

Type code _____

1

Modification number _____

X the latest version is always supplied

Supplementary details _____

A. pressure setting (e.g. A2 = 2 bar)

B. bypass cracking pressure (e. g.: B3.5 = 3.5 bar; B7 = 7 bar); no details = without bypass valve

L... light with appropriate voltage (24, 48, 110, 220 Volt)

LED 2 light-emitting diodes 24 Volt

AV LZ indicator with plug to AUDI and VW specifications

BO LZ indicator with plug and pin connections to BMW and Opel specification (M12x1)

CN LZ indicator with plug to DIN 43651 with 3 LEDs (CNOMO specification)

DB LZ indicator with plug to DIN 43651 with 3 LEDs (Daimler-Benz specification)

D4C LZ indicator with plug and connector to Daimler-Chrysler specification and cold start suppression 30 °C

BO-LED as for BO, but with diode strip

V FPM seals

W suitable for HFA and HFC emulsions

2.2 REPLACEMENT ELEMENT

0250 DN 010 BN4HC /-V

Size _____

0160, 0250, 0400

Type _____

DN

Filtration rating in µm _____

BN4HC : 003, 006, 010, 025

W/HC : 025, 050, 100, 200

Filter material _____

BN4HC, W/HC

Supplementary details _____

V, W (for descriptions, see point 2.1)

2.3 REPLACEMENT CLOGGING INDICATOR

VM 5 D . X /-L24

Type of indicator _____

VM Differential pressure indicator up to 210 bar operating pressure

VD Differential pressure indicator up to 420 bar operating pressure (only for types LE and LZ)

Pressure setting _____

5 standard 5 bar, others on request

Type of clogging indicator _____

D (see Point 2.1)

Modification number _____

X the latest version is always supplied

Supplementary details _____

L..., LED, V, W (for descriptions, see point 2.1)

3. FILTER CALCULATION / SIZING

The total pressure drop of a filter at a certain flow rate Q is the sum of the housing Δp and the element Δp and is calculated as follows:

$$\Delta p_{\text{total}} = \Delta p_{\text{housing}} + \Delta p_{\text{element}}$$

$$\Delta p_{\text{housing}} = (\text{see Point 3.1})$$

$$\Delta p_{\text{element}} = Q \cdot \frac{SK^*}{1000} \cdot \frac{\text{viscosity}}{30}$$

(*see point 3.2)

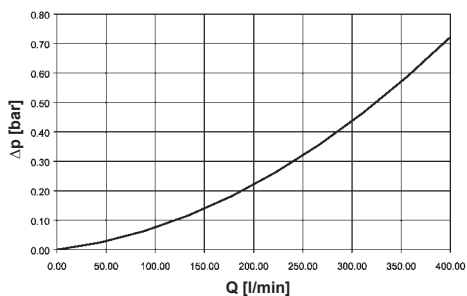
For ease of calculation, our Filter Sizing Program is available on request free of charge.

NEW: Sizing online at www.hydac.com

3.1 Δp -Q HOUSING CURVES BASED ON ISO 3968

The housing curves apply to mineral oil with a density of 0.86 kg/dm³ and a kinematic viscosity of 30 mm²/s. In this case, the differential pressure changes proportionally to the density.

FLN 160, 250, 400

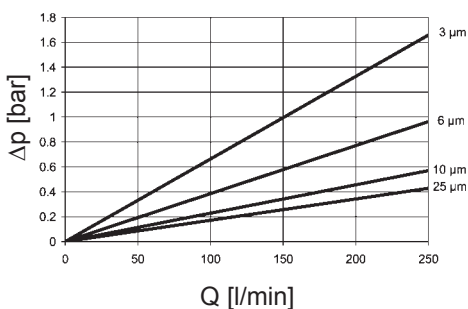


3.2 GRADIENT COEFFICIENTS (SK) FOR FILTER ELEMENTS

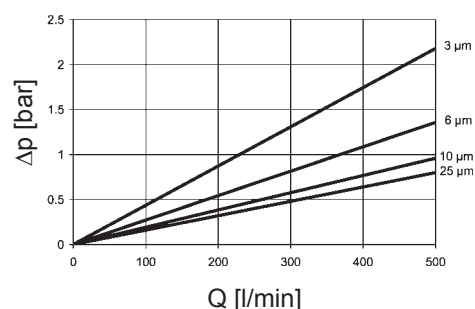
The gradient coefficients in mbar/(l/min) apply to mineral oils with a kinematic viscosity of 30 mm²/s. The pressure drop changes proportionally to the change in viscosity.

FLN	BN4HC				W/HC
	3 μm	6 μm	10 μm	25 μm	-
160	7.9	5.1	3.4	2.6	0.168
250	5.1	3.2	2.1	1.7	0.101
400	3.2	2.0	1.3	1.0	0.068

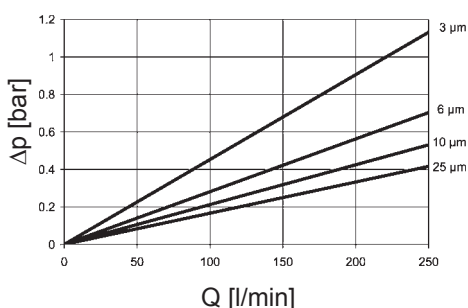
BN4HC: FLN 160



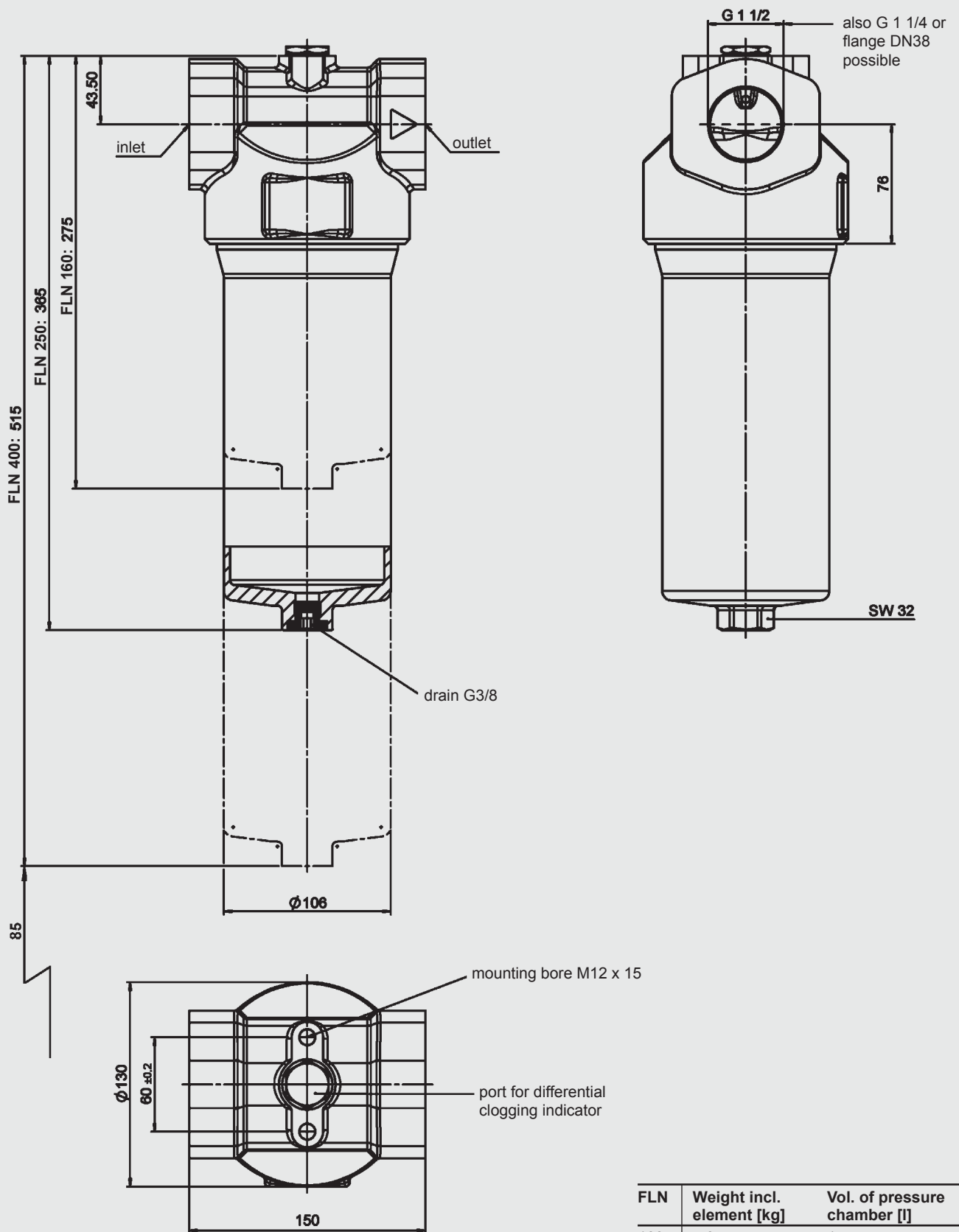
BN4HC: FLN 400



BN4HC: FLN 250



4. DIMENSIONS



FLN	Weight incl. element [kg]	Vol. of pressure chamber [l]
160	4.3	1.4
250	4.9	2.0
400	5.9	3.1

NOTE

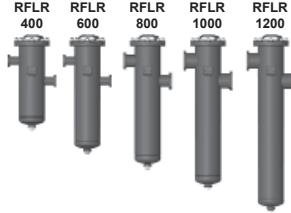
The information in this brochure relates to the operating conditions and applications described.
 For applications or operating conditions not described, please contact the relevant technical department.
 Subject to technical modifications.

HYDAC FILTERTECHNIK GMBH
 Industriegebiet
D-66280 Sulzbach/Saar, Germany
 Tel.: 0 68 97 / 509-01
 Fax: 0 68 97 / 509-300
 Internet: www.hydac.com
 E-mail: filter@hydac.com



Inline Filters RFLR

Element flow direction
from in to out
up to 25 bar, up to 1200 l/min



1. TECHNICAL SPECIFICATIONS

1.1 FILTER HOUSING

Construction

The filter housings are designed in accordance with international regulations. They consist of a filter housing and cover plate. The element is top-removable.

Standard equipment:

- mounting holes in the housing
- oil drain plug
- magnetic core built into cover plate
- with bypass valve
- connection for a clogging indicator

1.2 FILTER ELEMENTS

HYDAC filter elements are validated and their quality is constantly monitored according to the following standards:

- ISO 2941
- ISO 2942
- ISO 2943
- ISO 3968
- ISO 11170
- ISO 16889

Contamination retention capacities in g

RFLR	Glass fibre (UHC)		
	5 µm	10 µm	20 µm
400	192	288	324
600	272	408	459
800	368	552	621
1000	438	658	739
1200	544	816	918

Filter elements are available with the following pressure stability values:

Glass fibre (UHC) for biodegradable oils:	6 bar
Wire mesh (WPI):	6 bar

Other filtration ratings on request.

1.3 FILTER SPECIFICATIONS

Nominal pressure	25 bar
Temperature range	-30 °C to +120 °C
Material of filter housing	Steel
Material of cover plate	Spheroidal graphite iron
Type of clogging indicator	VM (differential pressure measurement up to 210 bar operating pressure)
Pressure setting of the clogging indicator	2 bar (others on request)
Bypass cracking pressure	3 bar (others on request)

1.4 SEALS

NBR (= Perbunan)

1.5 INSTALLATION

As inline filter

1.6 SPECIAL MODELS AND ACCESSORIES

- Port for clogging indicator
- Without magnetic core
- Seals in FPM

1.7 SPARE PARTS

See Original Spare Parts List

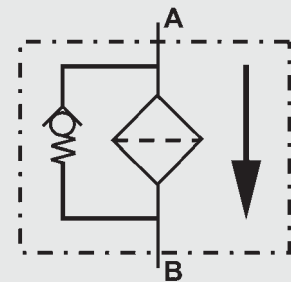
1.8 COMPATIBILITY WITH HYDRAULIC FLUIDS ISO 2943

- Hydraulic oils H to HLPD DIN 51524
- Lubrication oils DIN 51517, API, ACEA, DIN 51515, ISO 6743
- Compressor oils DIN 51506
- Biodegradable operating fluids VDMA 24568 HETG, HEES, HEPG

1.9 IMPORTANT INFORMATION

- Filter housings must be earthed.
- When using electrical clogging indicators, the electrical power supply to the system must be switched off before removing the clogging indicator connector.

Symbol for hydraulic systems



2. MODEL CODE (also order example)

RFLR UHC 800 D M 10 W 1.0 /-V

2.1 COMPLETE FILTER

Filter type _____

RFLR

Filter material of element _____

UHC Glass fibre for biodegradable operating fluids

WPI Wire mesh

Size of filter or element _____

RFLR: 400, 600, 800, 1000, 1200

Operating pressure _____

D = 25 bar

Type and size of connection _____

Type	Connection	Filter size				
		400	600	800	1000	1200
L	SAE DN 50	●	●			
M	SAE DN 80			●		
P	SAE DN 100				●	●

Filtration rating in µm _____

UHC 5, 10, 20

WPI 40, 60, 80

others on request

Type of clogging indicator _____

W without port (no clogging indicator)

B visual

C electrical

D visual and electrical

} for other clogging indicators,
see brochure no. 7.050../..

Type code _____

1

Modification number _____

X the latest version is always supplied

Supplementary details _____

V FPM seals

OM without magnetic core

2.2 REPLACEMENT ELEMENT

0800 R 010 UHC /-V

Size _____

0400, 0600, 0800, 1000, 1200

Type _____

R

Filtration rating in µm _____

UHC: 005, 010, 020

WPI: 040, 060, 080

others on request

Filter material _____

UHC Glass fibre for biodegradable operating fluids

WPI Wire mesh

Supplementary details _____

V (for descriptions, see point 2.1)

2.3 REPLACEMENT CLOGGING INDICATOR

VM 2 C . X /-V

Type of indicator _____

VM differential pressure indicator

Pressure setting _____

2 standard (others on request)

Type of clogging indicator (see Point 2.1) _____

Modification number _____

X the latest version is always supplied

Supplementary details _____

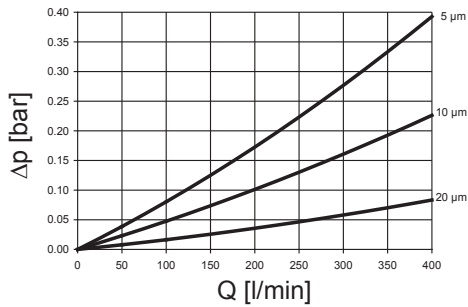
V (for descriptions, see point 2.1)

3. FILTER CALCULATION / SIZING

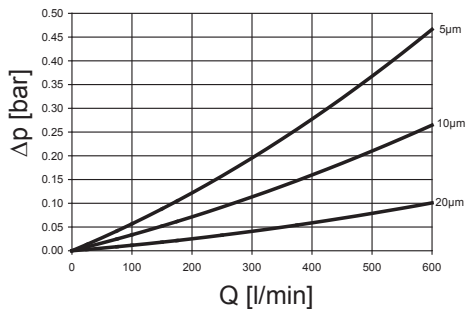
3.1 GRAPHS FOR COMPLETE FILTER

The total pressure drop graphs apply to mineral oil with a density of 0.86 kg/dm³ and a kinematic viscosity of 30mm²/s.

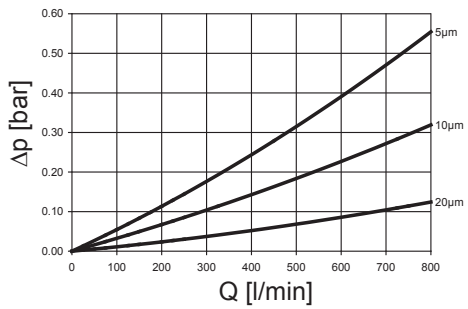
RFLR 400: UHC



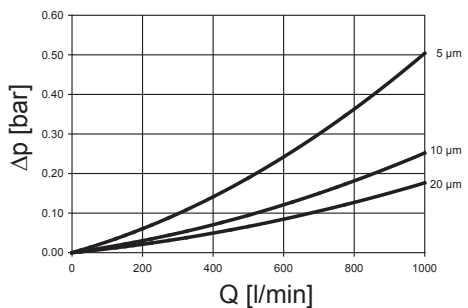
RFLR 600: UHC



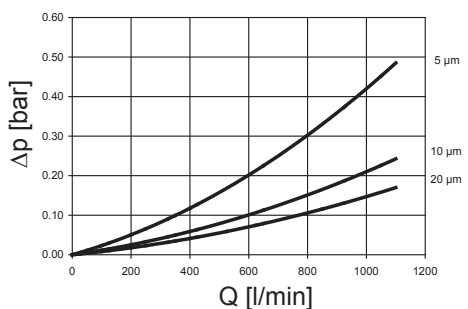
RFLR 800: UHC



RFLR 1000: UHC

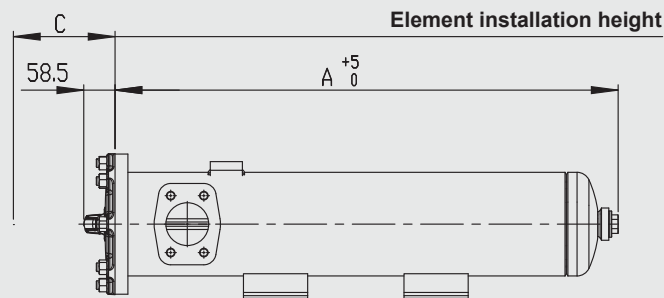
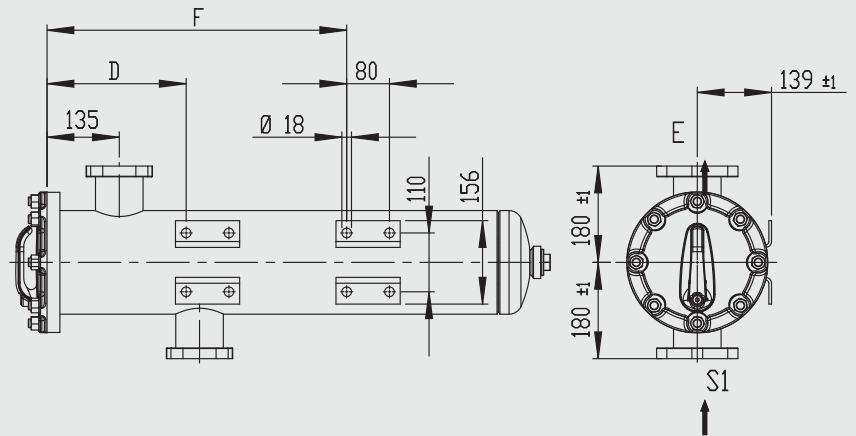


RFLR 1200: UHC



Other curves on request

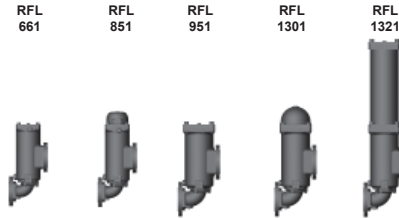
4. DIMENSIONS



Type	Connection E + S	A	C	D	F	Weight incl. element [kg]
RFLR 400	SAE DN 50 (2")	650	400	120	—	33.5
RFLR 600	SAE DN 50 (2")	828	580	220	520	37.8
RFLR 800	SAE DN 80 (3")	940	700	260	560	42.8
RFLR 1000	SAE DN 100 (4")	1094	850	260	560	47.9
RFLR 1200	SAE DN 100 (4")	1260	1010	260	560	52.3



Inline Filter RFL Cast Version up to 1300 l/min, up to 40 bar



1. TECHNICAL SPECIFICATIONS

1.1 FILTER HOUSING

Construction

The filter housings are designed in accordance with international regulations. They consist of a two-piece filter housing with a bolt-on cover plate.

Standard equipment:

- connections for venting and draining
- connection for a clogging indicator

1.2 FILTER ELEMENTS

HYDAC filter elements are validated and their quality is constantly monitored according to the following standards:

- ISO 2941
- ISO 2942
- ISO 2943
- ISO 3724
- ISO 3968
- ISO 11170
- ISO 16889

Contamination retention capacities in g

		Betamicon® (BN4HC)			
RFL	Elements	3 µm	5 µm	10 µm	20 µm
66x	1x0660 R	87.1	96.5	116.1	131.3
85x	1x0850 R	112.1	124.2	149.5	169.1
95x	1x0950 R	130.0	144.1	173.3	196.1
130x	1x1300 R	181.0	200.7	241.4	273.1
132x	1x2600 R	369.4	409.4	492.5	557.2

Filter elements are available with the following pressure stability values:

Betamicon® (BN4HC):	20 bar
Paper (P/HC):	10 bar
Wire mesh (W/HC):	20 bar
Stainless steel fibre (V):	30 bar
Betamicon®/Aquamicron® (BN4AM):	10 bar
Aquamicron® (AM):	10 bar

1.3 FILTER SPECIFICATIONS

Nominal pressure	25 bar 40 bar (RFL 662 to 1322 acc. to AD)
Temperature range	-10 °C to +100 °C
Material of filter housing and cover plate	EN-GJS-400-15 : RFL 661 to 1321 GP 240 GH+N : RFL 662 to 1322 1.4581/4571 : RFL 853 On RFL 1321 and 1322 the extension is in steel!
Type of clogging indicator	VM (differential pressure measurement up to 210 bar operating pressure)
Pressure setting of the clogging indicator	2 bar (others on request)
Bypass cracking pressure	3 bar (others on request)

1.4 SEALS

NBR (= Perbunan)

1.5 INSTALLATION

As inline filter

1.6 SPECIAL MODELS AND ACCESSORIES

- Inlet and outlet positioned one above the other
- Counter flanges as welding or blank flanges

1.7 SPARE PARTS

See Original Spare Parts List

1.8 CERTIFICATES AND APPROVALS

These filters can be supplied with manufacturer's test certificates O and M to DIN 55350, Part 18. Test certificates 3.1 to DIN EN 10204 and approval certificates (Type Approval) for different approval authorities. Areas of application, amongst others: lubrication.

Filter to API 614 (ANSI flange) on request!

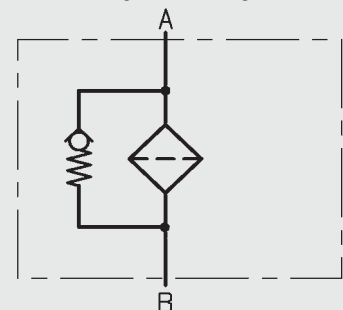
1.9 COMPATIBILITY WITH HYDRAULIC FLUIDS ISO 2943

- Hydraulic oils H to HLPD DIN 51524
- Lubrication oils DIN 51517, API, ACEA, DIN 51515, ISO 6743
- Compressor oils DIN 51506
- Biodegradable operating fluids VDMA 24568 HETG, HEES, HEPG
- Fire-resistant fluids HFA, HFB, HFC and HFD
- Operating fluids with high water content (>50% water content) on request

1.10 IMPORTANT INFORMATION

- Filter housings must be earthed.
- When using electrical clogging indicators, the electrical power supply to the system must be switched off before removing the clogging indicator connector.
- Filters must be flexibly mounted and not fixed rigidly to the floor or used as a pipe support.
- When used with W/HC and P/HC elements, please follow the sizing recommendation under point 3.3!

Symbol for hydraulic systems



2. MODEL CODE (also order example)

RFL BN/HC 851 D N 10 D 1 . X /-L24

2.1 COMPLETE FILTER

Filter type _____

RFL

Filter material of element _____

BN/HC Betamicon® (BN4HC) P/HC Paper AM Aquamicon®
 V Stainless steel fibre W/HC Wire mesh BN/AM Betamicon®/Aquamicon®

Size of filter or element _____

RFL: 661, 662, 851, 853, 951, 952, 1301, 1302, 1321, 1322

Operating pressure _____

D = 25 bar

E = 40 bar (RFL 662-1322 according to AD)

Type and size of connection _____

Type	Connection	Filter size					
		661	851	951	1301	1321	
N	SAE DN 80 (3")	●	●				
P	SAE DN 100 (4")			●	●	●	
Q	DIN DN 80	●	●				
R	DIN DN 100			●	●	●	

Other nominal bores, and ANSI flange version on request

Filtration rating in µm _____

BN/HC, V: 3, 5, 10, 20 P/HC: 10, 20 AM: 40

W/HC: 25, 50, 100, 200 BN/AM: 3, 10

Type of clogging indicator _____

Y plastic blanking plug in indicator port

A steel blanking plug in indicator port

B visual

C electrical

D visual and electrical

for other clogging indicators,
see brochure no. 7.050../..

Type code _____

1

Modification number _____

X the latest version is always supplied

Supplementary details _____

B special cracking pressure of bypass (e.g. B1 = 1 bar)

GA counter flange as welding flange

GB counter flange as blank flange

KB without bypass valve

L... light with appropriate voltage (24V, 48V, 110V, 220V)

LED 2 light emitting diodes up to 24 Volt

OR O-ring groove on the DIN flange (inlet and outlet) to Rexroth standard AB 22-04

V FPM seals

33 inlet and outlet positioned one above the other

SAK contamination retainer

2.2 REPLACEMENT ELEMENT

0850 R 010 BN4HC /-V

Size _____

0660, 0850, 0950, 1300, 2600

Type _____

R

Filtration rating in µm _____

BN4HC, V: 003, 005, 010, 020 P/HC: 010, 020 AM: 040

W/HC: 025, 050, 100, 200 BN4AM: 003, 010

Filter material _____

BN4HC, V, W/HC, P/HC, BN4AM, AM

Supplementary details _____

V (for descriptions, see point 2.1)

2.3 REPLACEMENT CLOGGING INDICATOR

VM 2 D . X /-L24

Type _____

VM differential pressure measurement up to 210 bar operating pressure

Pressure setting _____

2 standard 2 bar, others on request

Type of clogging indicator (see Point 2.1) _____

Modification number _____

X the latest version is always supplied

Supplementary details _____

L..., LED, V (for descriptions, see point 2.1)

3. FILTER CALCULATION / SIZING

The total pressure drop of a filter at a certain flow rate Q is the sum of the housing Δp and the element Δp and is calculated as follows:

$$\Delta p_{\text{total}} = \Delta p_{\text{housing}} + \Delta p_{\text{element}}$$

$$\Delta p_{\text{housing}} = (\text{see Point 3.1})$$

$$\Delta p_{\text{element}} = Q \cdot \frac{SK^*}{1000} \cdot \frac{\text{viscosity}}{30}$$

(*see point 3.2)

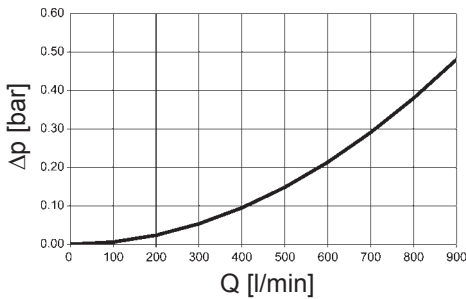
For ease of calculation, our Filter Sizing Program is available on request free of charge.

NEW: Sizing online at www.hydac.com

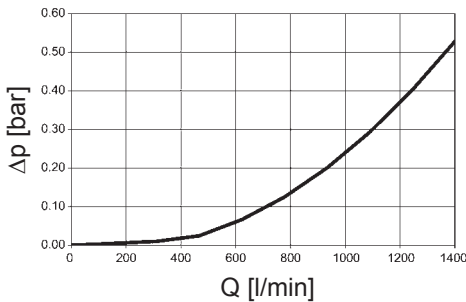
3.1 Δp -Q HOUSING CURVES BASED ON ISO 3968

The housing curves apply to mineral oil with a density of 0.86 kg/dm³ and a kinematic viscosity of 30 mm²/s. In this case, the differential pressure changes proportionally to the density.

RFL 661, 662, 851, 853



RFL 951, 952, 1301, 1302, 1321, 1322

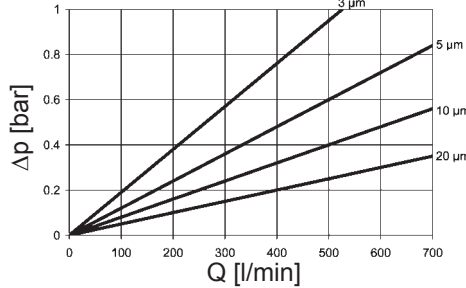


3.2 GRADIENT COEFFICIENTS (SK) FOR FILTER ELEMENTS

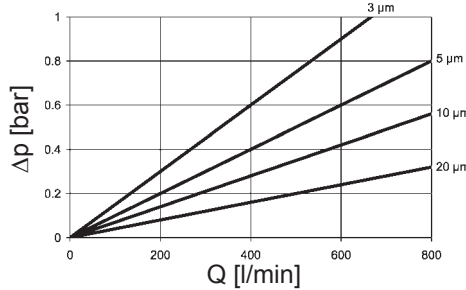
The gradient coefficients in mbar/(l/min) apply to mineral oils with a kinematic viscosity of 30 mm²/s. The pressure drop changes proportionally to the change in viscosity.

RFL	V				W/HC
	3 μm	5 μm	10 μm	20 μm	
660	1.0	0.8	0.6	0.4	0.081
850	0.8	0.6	0.4	0.3	0.063
950	0.7	0.6	0.4	0.2	0.054
1300	0.5	0.4	0.3	0.2	0.045
2600	0.3	0.2	0.1	0.1	0.022

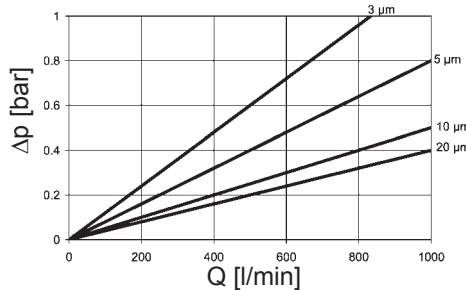
BN4HC: RFL 660



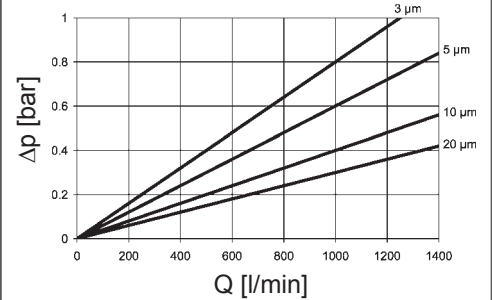
BN4HC: RFL 850



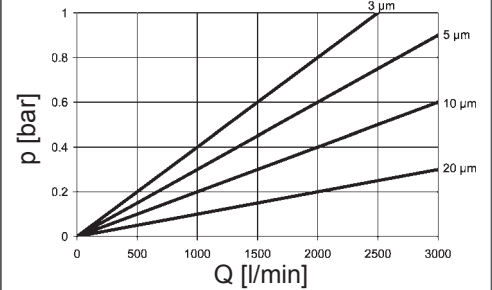
BN4HC: RFL 950



BN4HC: RFL 1300



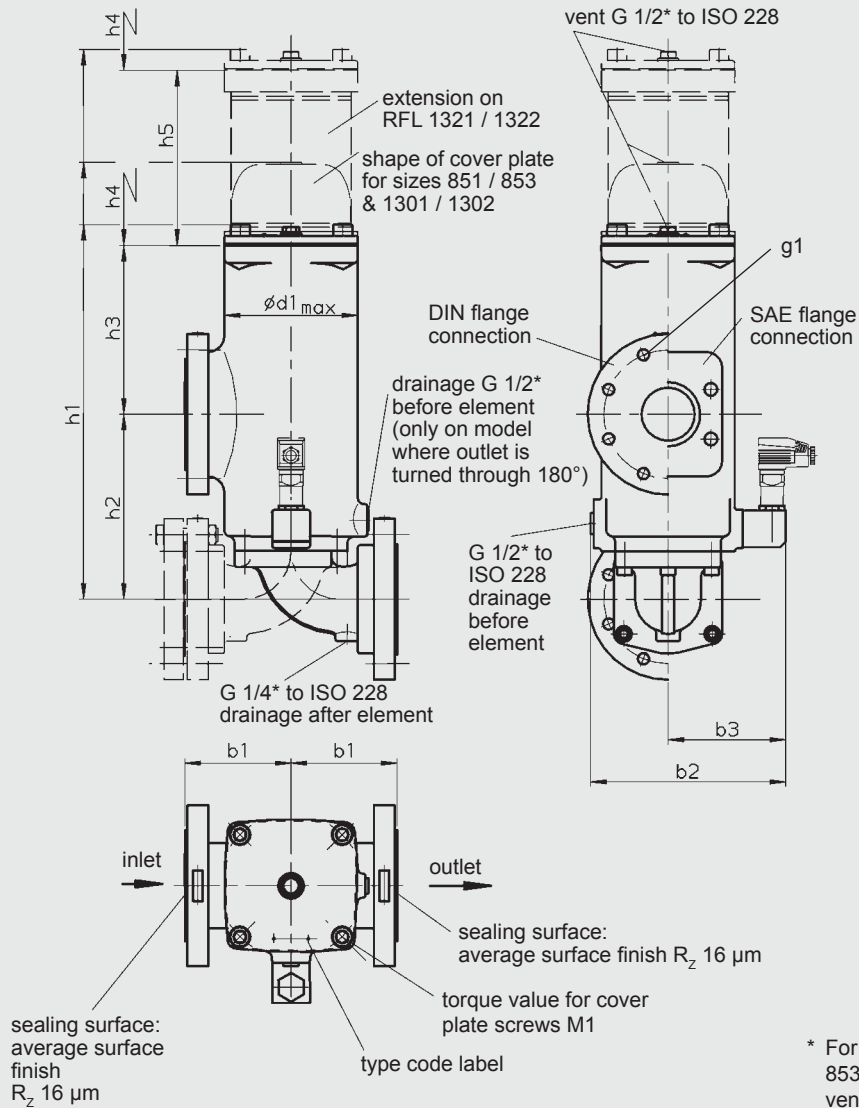
BN4HC: RFL 2600



3.3 SIZING RECOMMENDATION

Filter type	Connection	Q _{max} when using W/HC and P/HC elements
RFL 661/662	DIN DN 80	480 l/min
	SAE DN 80	480 l/min
RFL 851/852	DIN DN 80	480 l/min
	SAE DN 80	480 l/min
RFL 951/952	DIN DN 100	900 l/min
	SAE DN 100	900 l/min
RFL 1301/1302/1321/1322	DIN DN 100	900 l/min
	SAE DN 100	900 l/min

4. DIMENSIONS



* For sizes RFLD 662, 853, 952, 1302 and 1322: vent/drain G 3/4

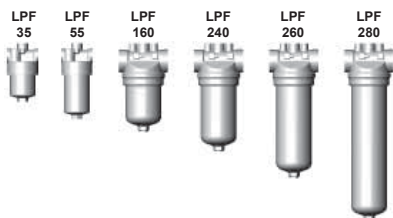
RFL	Flange connection	b1	b2	b3	d1	h1	h2	h3	h4	h5	M1 (Nm)	g1	Weight including element [kg]	Volume of pressure chamber [l]
661	SAE DN 80 DIN DN 80	133	192 184	239	172	465	230	210	350	-	150	M16 M16	36	8.2
662	SAE DN 80 DIN DN 80	133	192 184	239	172	465	230	210	350	-	150	M16 M16	42	8.2
851	SAE DN 80 DIN DN 80	133	192 184	239	172	552	230	210	420	-	150	M16 M16	38.5	9.5
853	SAE DN 80 DIN DN 80	133	192 184	239	172	552	230	210	420	-	150	M16 M16	45	9.5
951	SAE DN 100 DIN DN 100	143	223 215	267	220	523	250	238	380	-	250	M16 M20	54	13
952	SAE DN 100 DIN DN 100	143	223 215	267	220	523	250	238	380	-	250	M16 M20	67.5	13
1301	SAE DN 100 DIN DN 100	143	223 215	267	220	630	250	238	500	-	250	M16 M20	55.5	16
1302	SAE DN 100 DIN DN 100	143	223 215	267	220	630	250	238	500	-	250	M16 M20	75.5	16
1321	SAE DN 100 DIN DN 100	143	223 215	267	220	1084	250	238	940	561	250	M16 M20	82	31
1322	SAE DN 100 DIN DN 100	143	223 215	267	220	1084	250	238	940	561	250	M16 M20	96	31

NOTE

The information in this brochure relates to the operating conditions and applications described.
For applications and operating conditions not described, please contact the relevant technical department.
Subject to technical modifications.

HYDAC FILTERTECHNIK GMBH
Industriegebiet
D-66280 Sulzbach/Saar, Germany
Tel.: 0 68 97 / 509-01
Fax: 0 68 97 / 509-300
Internet: www.hydac.com
E-mail: filter@hydac.com

Low Pressure Filter LPF up to 280 l/min, up to 50 bar



1. TECHNICAL SPECIFICATIONS

1.1 FILTER HOUSING

Construction

The filter housings are designed in accordance with international regulations. They consist of a filter head and a screw-in filter bowl.

Standard equipment:

- without bypass valve
- connection for a clogging indicator

1.2 FILTER ELEMENTS

HYDAC filter elements are validated and their quality is constantly monitored according to the following standards:

- ISO 2941, ISO 2942, ISO 2943, ISO 3724, ISO 3968, ISO 11170, ISO 16889

Contamination retention capacities in g

LPF	Betamicon (BN4HC)			
	3 µm	5 µm	10 µm	20 µm
35	7.2	8.1	8.6	8.8
55	14.0	15.8	16.6	17.2
160	19.8	22.2	23.5	24.3
240	32.3	36.3	38.4	39.6
260	46.4	52.0	55.0	56.9
280	70.6	79.3	83.9	86.6

LPF	Betamicon® (BH4HC)			
	3 µm	5 µm	10 µm	20 µm
35	5.3	5.2	5.8	6.6
55	10.5	10.3	11.5	13.0
160	12.9	12.6	13.9	15.9
240	21.6	21.1	23.2	26.5
260	32.1	31.5	34.6	39.4
280	48.1	47.1	51.8	59.1

Filter elements are available with the following pressure stability values:
Betamicon® (BN4HC): 25 bar
Betamicon® (BH4HC): 210 bar
Stainl. steel wire mesh (W/HC)*: 30 bar

*only for LPF 160, 240, 260, 280

IMPORTANT:

Only filter elements in ...HC material can be used in LPF filters!

1.3 FILTER SPECIFICATIONS

Nominal pressure	LPF 35, 55: 40 bar LPF 160, 240, 260, 280: 50 bar
Fatigue strength	at nominal pressure 10 ⁶ load cycles from 0 to nominal pressure LPF 35 and 55: 10 ⁷ load cycles at 40 bar
Temperature range	-30 °C to +100 °C
Material of filter head	Aluminium
Material of filter bowl	Aluminium
Type of indicator	VM (Diff. pressure indicator up to 210 bar operating pressure) VL (Diff. pressure indicator up to 40 bar operating pressure - only BF indicator)
Pressure setting of clogging indicator	5 bar (others on request)
Cracking press. bypass valve (optional)	6 bar (LPF 160 - 280) 7 bar (LPF 35 - 55) others on request

1.4 SEALS

Perbunan (= NBR)

1.5 MOUNTING

As inline filter

1.6 SPECIAL MODELS AND ACCESSORIES

- Seals in FPM, EPDM
- With bypass valve (1, 3, 6 or 7 bar)
- Without port for clogging indicator (LPF 160, 240, 260, 280)

1.7 SPARE PARTS

See Original Spare Parts List

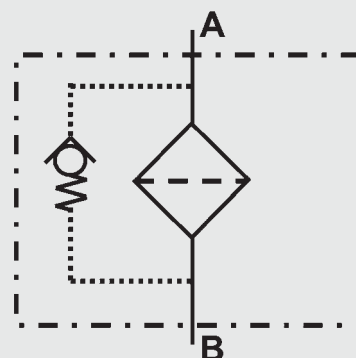
1.8 CERTIFICATES AND APPROVALS

On request

1.9 COMPATIBILITY WITH HYDRAULIC FLUIDS ISO 2943

- Hydraulic oils H to HLPD DIN 51524
- Lubrication oils DIN 51517, API, ACEA, DIN 51515, ISO 6743
- Compressor oils DIN 51506
- Biodegradable operating fluids VDMA 24568 HETG, HEES, HEPG
- Fire-resistant fluids HFC and HFD
- Operating fluids with high water content (>50% water content) on request

Symbol for hydraulic systems



2. MODEL CODE (also order example)

LPF BN/HC 160 G E 10 D 1 . X /-L24

2.1 COMPLETE FILTER

Filter type _____

LPF

Filter material _____

BN/HC Betamicron® (BN4HC)

BH/HC Betamicron® (BH4HC)

W/HC Stainless steel wire mesh (only LPF 160, 240, 260, 280)

Size of filter or element _____

LPF: 35, 55, 160, 240, 260, 280

Operating pressure _____

E = 40 bar (LPF 35, 55)

G = 50 bar (LPF 160, 240, 260, 280)

Type and size of connection _____

Type	Port	Filter size					
		35	55	160	260	240	280
A	M18 x 1.5	●	●				
B	G ½	●	●				
E	G 1¼			●	●	●	●

Filtration rating in µm _____

BN/HC, BH/HC: 3, 5, 10, 20

W/HC: 25, 50, 100, 200 (only LPF 160, 240, 260, 280)

Type of clogging indicator _____

W without port (no clogging indicator)

Y plastic blanking plug in indicator port

A steel blanking plug in indicator port

B visual

C electrical

D visual and electrical

BF visual mobile indicator (only LPF 160, 240, 260, 280)

Return line indicator possible on request!

for other clogging indicators,
see brochure no. 7.050../..

Type code _____

1

Modification number _____

X the latest version is always supplied

Supplementary details _____

B. cracking pressure of bypass valve (e.g. B6 = 6 bar); no details = without bypass valve

BFL BF clogging indicator on left in direction of flow

BFR BF clogging indicator on right in direction of flow

L... light with appropriate voltage (24, 48, 110, 220 Volt)

LED 2 light-emitting diodes up to 24 Volt

SO184 pressure release/oil drain screw

V FPM seals

W suitable for HFA and HFC emulsions

only for clogging
indicators type "D"

2.2 REPLACEMENT ELEMENT

0160 D 010 BN4HC /-V

Size _____

0035, 0055, 0160, 0240, 0260, 0280

Type _____

D

Filtration rating in µm _____

BN4HC, BH4HC: 003, 005, 010, 020

W/HC: 025, 050, 100, 200 (only LPF 160, 240, 260, 280)

Filter material _____

BN4HC, BH4HC, W/HC

Supplementary details _____

V, W (for descriptions, see point 2.1)

2.3 REPLACEMENT CLOGGING INDICATOR

VM 5 D . X /-L24

Type of indicator _____

VM Diff. pressure indicator up to 210 bar operating pressure

VL Diff. pressure indicator up to 50 bar operating pressure (only in conjunction with the "BF" indicator)

Pressure setting _____

5 standard 5 bar, others on request (standard 2 bar on "BF" indicator)

Type of clogging indicator (see Point 2.1) _____

Modification number _____

X the latest version is always supplied

Supplementary details _____

L..., LED, V, W (for descriptions, see point 2.1)

3. FILTER CALCULATION / SIZING

The total pressure drop of a filter at a certain flow rate Q is the sum of the housing Δp and the element Δp and is calculated as follows:

$$\Delta p_{\text{total}} = \Delta p_{\text{housing}} + \Delta p_{\text{element}}$$

$$\Delta p_{\text{housing}} = \text{(see Point 3.1)}$$

$$\Delta p_{\text{element}} = Q \cdot \frac{SK^*}{1000} \cdot \frac{\text{viscosity}}{30}$$

(*see Point 3.2)

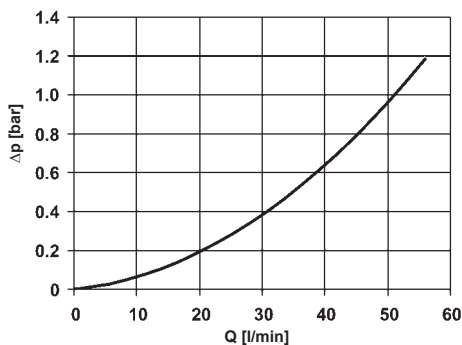
For ease of calculation, our Filter Sizing Program is available on request free of charge.

NEW: Sizing online at www.hydac.com

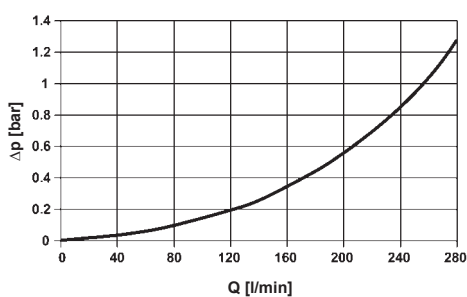
3.1 Δp -Q HOUSING CURVES BASED ON ISO 3968

The housing curves apply to mineral oil with a density of 0.86 kg/dm³ and a kinematic viscosity of 30 mm²/s. In this case, the differential pressure changes proportionally to the density.

LPF 35, 55



LPF 160, 240, 260, 280

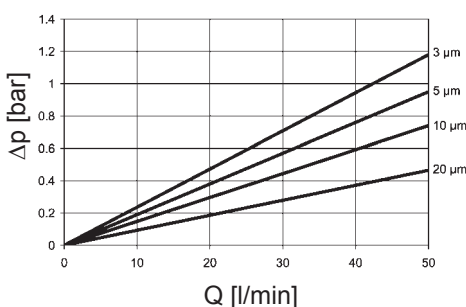


3.2 GRADIENT COEFFICIENTS (SK) FOR FILTER ELEMENTS

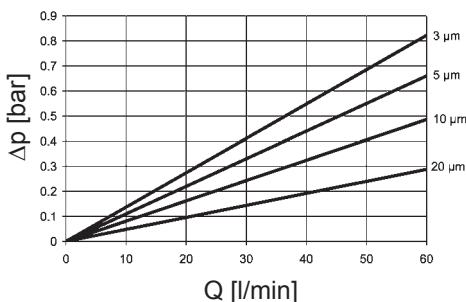
The gradient coefficients in mbar/(l/min) apply to mineral oils with a kinematic viscosity of 30 mm²/s. The pressure drop changes proportionally to the change in viscosity.

	BH4HC				W/HC
	3 μm	5 μm	10 μm	20 μm	—
35	47.8	28.1	16.8	10.5	—
55	24.2	14.2	8.5	5.3	—
160	16.8	10.4	5.9	4.4	0.316
240	10.6	6.8	3.9	2.9	0.211
260	8.1	4.8	3.3	1.9	0.131
280	5.7	3.4	1.8	1.6	0.089

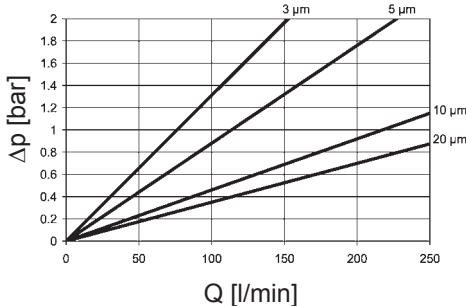
BH4HC: LPF 35



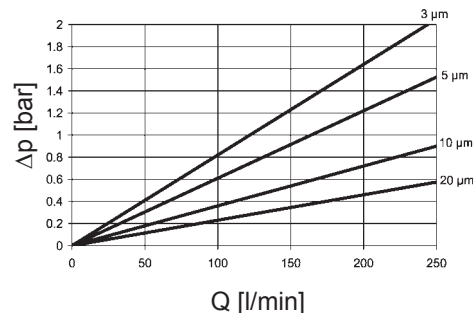
BH4HC: LPF 55



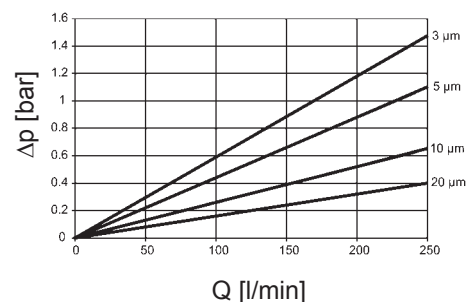
BH4HC: LPF 160



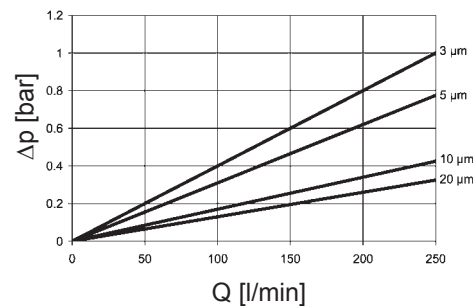
BH4HC: LPF 240



BH4HC: LPF 260

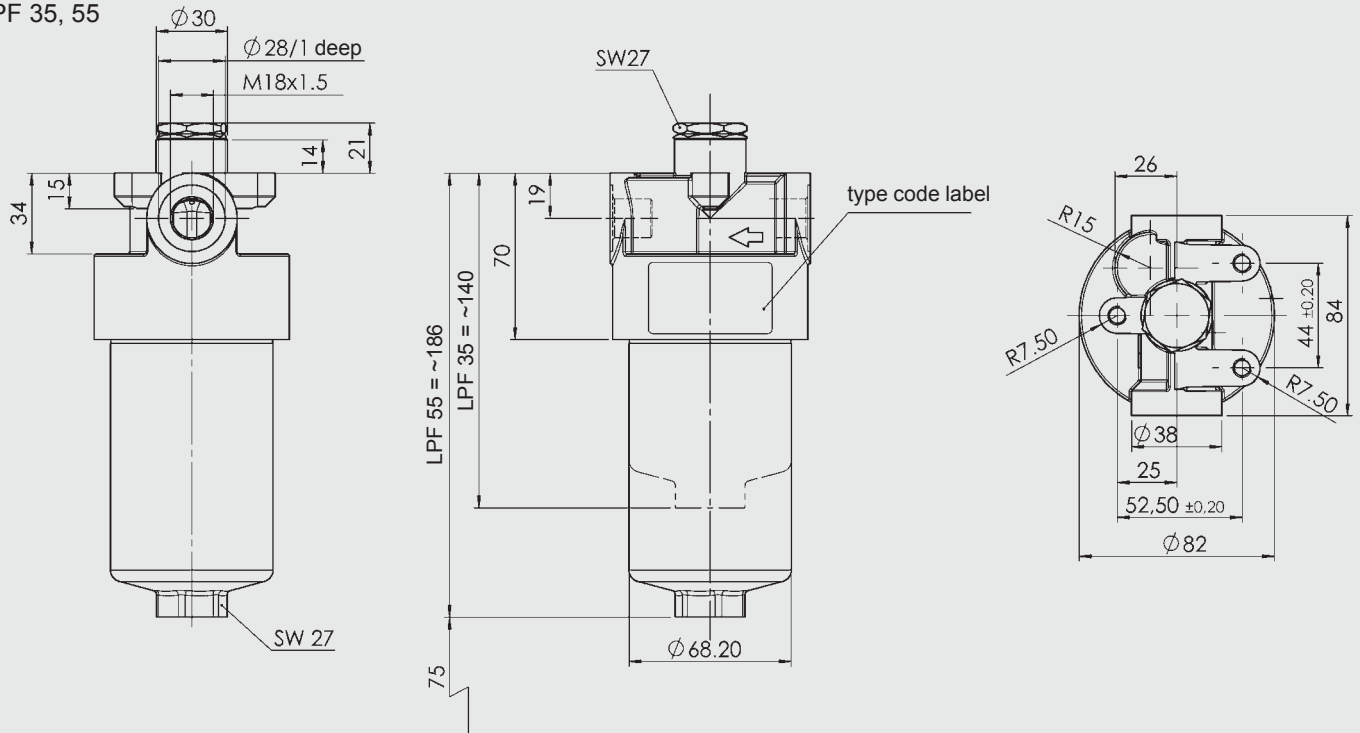


BH4HC: LPF 280

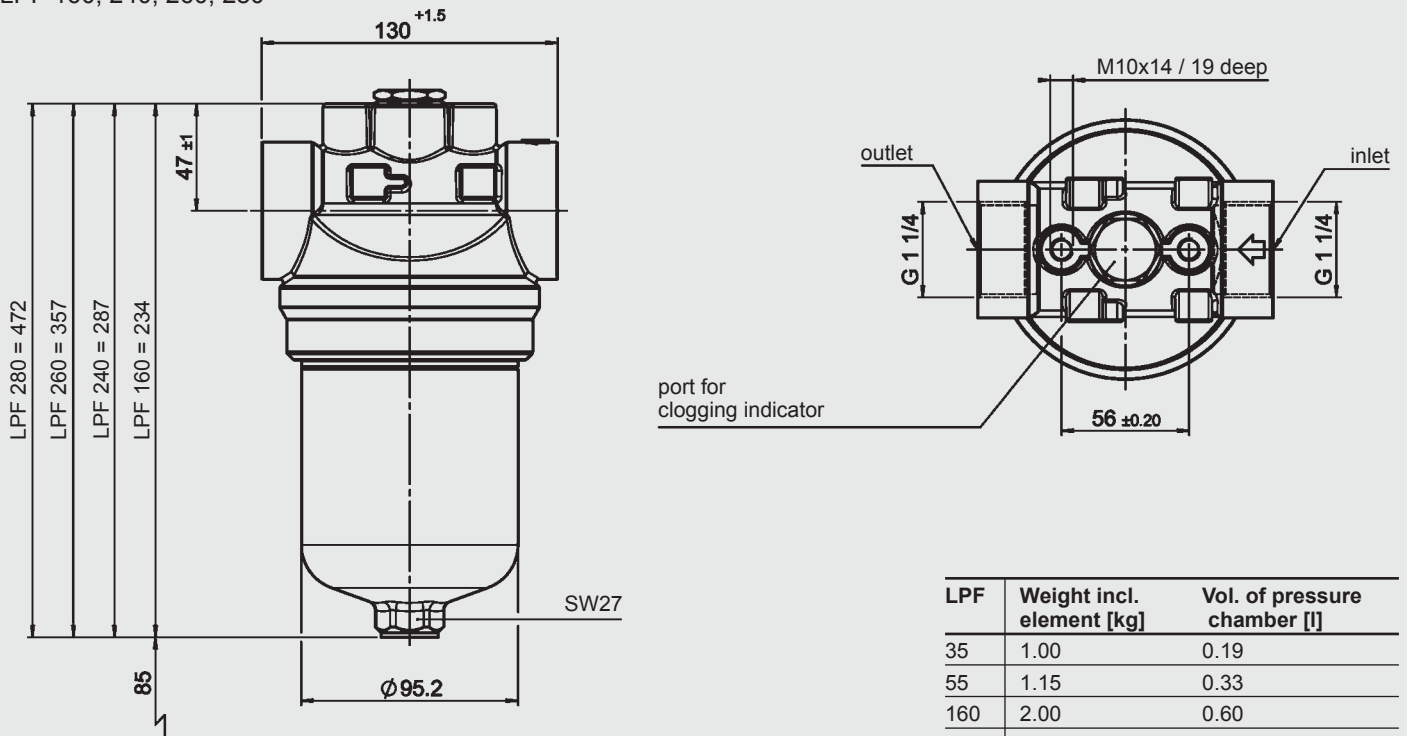


4. DIMENSIONS

LPF 35, 55



LPF 160, 240, 260, 280



LPF	Weight incl. element [kg]	Vol. of pressure chamber [l]
35	1.00	0.19
55	1.15	0.33
160	2.00	0.60
240	2.31	0.90
260	2.76	1.30
280	3.28	1.70

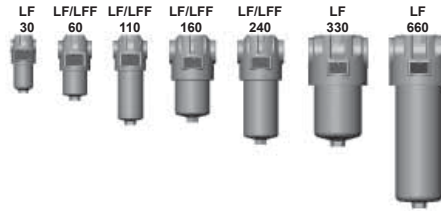
NOTE

The information in this brochure relates to the operating conditions and applications described.
For applications or operating conditions not described, please contact the relevant technical department.
Subject to technical modifications.

HYDAC FILTERTECHNIK GMBH
Industriegebiet
D-66280 Sulzbach/Saar
Tel.: 0 68 97 / 509-01
Fax: 0 68 97 / 509-300
Internet: www.hydac.com
E-Mail: filter@hydac.com



Inline Filter LF Inline Filter LFF for Reversible Oil Flow up to 660 l/min, up to 100 bar



1. TECHNICAL SPECIFICATIONS

1.1 FILTER HOUSING Construction

The filter housings are designed in accordance with international regulations. They consist of a filter head and a screw-in filter bowl. LFF filters are suitable for flow in both directions.

Standard equipment:

- connection for a clogging indicator in filter head
- mounting holes in the filter head
- drain screw with pressure relief (LF 330 and above)

1.2 FILTER ELEMENTS

HYDAC filter elements are validated and their quality is constantly monitored according to the following standards:

- ISO 2941
- ISO 2942
- ISO 2943
- ISO 3724
- ISO 3968
- ISO 11170
- ISO 16889

Contamination retention capacities in g

Betamicon® (BN4HC)				
LF/LFF	3 µm	5 µm	10 µm	20 µm
30	4.6	5.1	5.4	5.6
60	6.5	7.3	7.8	8.0
110	13.8	15.5	16.4	16.9
160	19.8	22.2	23.5	24.3
240	32.3	36.3	38.4	39.6
330	47.2	53.1	56.1	57.9
660	102.2	114.9	121.5	125.4

Betamicon® (BH4HC)				
LF/LFF	3 µm	5 µm	10 µm	20 µm
30	3.0	2.9	3.2	3.7
60	4.6	4.5	5.0	5.7
110	10.1	9.9	10.9	12.4
160	12.9	12.6	13.9	15.9
240	21.6	21.1	23.2	26.5
330	34.6	33.9	37.2	42.5
660	76.8	75.2	82.6	94.3

Filter elements are available with the following pressure stability values:

Betamicon® (BN4HC):	20 bar
Betamicon® (BH4HC):	210 bar
Wire mesh (W):	20 bar
Stainless steel fibre (V):	210 bar

1.3 FILTER SPECIFICATIONS

Nominal pressure	100 bar
Fatigue strength	At nominal pressure 10 ⁶ cycles from 0 to nominal pressure (For other pressures, see graph at 1.8)
Temperature range	-30 °C to +100 °C (LF/LFF 660: -30 °C to -10 °C: p _{max} = 75 bar)
Material of filter head	Aluminium
Material of filter bowl	Aluminium
Type of clogging indicator	VM (differential pressure measurement up to 210 bar operating pressure)
Pressure setting of the clogging indicator	5 bar (others on request)
Bypass cracking pressure (optional)	6 bar (others on request)

1.4 SEALS

NBR (= Perbunan)

1.5 INSTALLATION

As inline filter with or without reversible oil flow

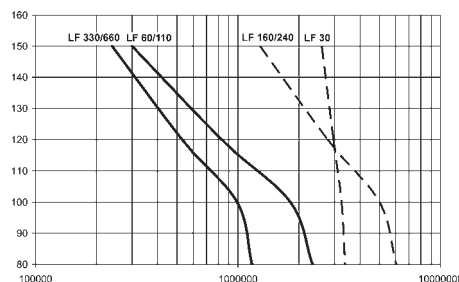
1.6 SPECIAL MODELS AND ACCESSORIES

- Bypass valve built into the head, separate from the main flow
- Oil drain screw up to LF/LFF 240
- Seals in FPM, EPDM
- Test and approval certificates

1.7 SPARE PARTS

See Original Spare Parts List

1.8 FATIGUE STRENGTH



1.9 CERTIFICATES AND APPROVALS

On request

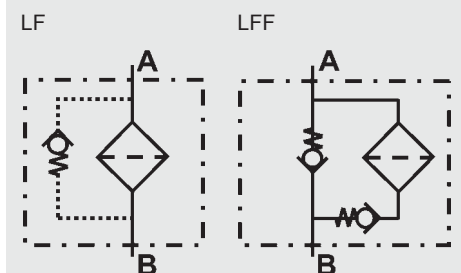
1.10 COMPATIBILITY WITH HYDRAULIC FLUIDS ISO 2943

- Hydraulic oils H to HLPD DIN 51524
- Lubrication oils DIN 51517, API, ACEA, DIN 51515, ISO 6743
- Compressor oils DIN 51506
- Biodegradable operating fluids VDMA 24568 HETG, HEES, HEPG
- Fire-resistant fluids HFA, HFB, HFC and HFD
- Operating fluids with high water content (>50% water content) on request

1.11 IMPORTANT INFORMATION

- Filter housings must be earthed.
- When using electrical clogging indicators, the electrical power supply to the system must be switched off before removing the clogging indicator connector.

Symbol for hydraulic systems



2. MODEL CODE (also order example)

LF BN/HC 60 I C 10 D 1 . X /-L24

2.1 COMPLETE FILTER

Filter type _____

LF or LFF

Filter material of element _____

BN/HC Betamicron® (BN4HC)
 BH/HC Betamicron® (BH4HC)
 W Stainless steel wire mesh
 V Stainless steel fibre

Size of filter or element _____

LF: 30, 60, 110, 160, 240, 330, 660
 LFF: 60, 110, 160, 240

Operating pressure _____

I = 100 bar

Type and size of connection _____

Type	Port	Filter size						
		30	60	110	160	240	330	660
B	G ½	●						
C	G ¾		●	●				
E	G1 ¼				●	●		
F	G1 ½						●	●

Filtration rating in µm _____

BN/HC, BH/HC, V: 3, 5, 10, 20
 W: 25, 50, 100, 200

Type of clogging indicator _____

Y plastic blanking plug in indicator port
 A steel blanking plug in indicator port
 B visual
 C electrical
 D visual and electrical
 for other clogging indicators, see brochure no. 7.050../..

Type code _____

1

Modification number _____

X the latest version is always supplied

Supplementary details _____

B. bypass cracking pressure (e.g. B6 = 6 bar); without details = without bypass valve
 L... light with appropriate voltage (24V, 48V, 110V, 220V)
 LED 2 light emitting diodes up to 24 Volt
 SO184 pressure release/oil drain screw (standard for LF 330 and above)
 V FPM seals
 W suitable for HFA, HFC oil-water emulsions (only necessary when using a clogging indicator or V or W elements)

2.2 REPLACEMENT ELEMENT

0060 D 010 BN4HC /-V

Size _____

0030, 0060, 0110, 0160, 0240, 0330, 0660

Type _____

D

Filtration rating in µm _____

BN4HC, BH4HC, V: 003, 005, 010, 020
 W: 025, 050, 100, 200

Filter material _____

BN4HC, BH4HC, V, W

Supplementary details _____

V, W (for descriptions, see point 2.1)

2.3 REPLACEMENT CLOGGING INDICATOR

VM 5 D . X /-L24

Type of indicator _____

VM differential pressure indicator up to 210 bar operational pressure

Pressure setting _____

5 standard for LF filters 5 bar
 8 standard for LFF filters 8 bar
 others on request

Type of clogging indicator _____

D (see Point 2.1)

Modification number _____

X the latest version is always supplied

Supplementary details _____

L..., LED, V, W (for descriptions, see point 2.1)

3. FILTER CALCULATION / SIZING

The total pressure drop of a filter at a certain flow rate Q is the sum of the housing Δp and the element Δp and is calculated as follows:

$$\Delta p_{\text{total}} = \Delta p_{\text{housing}} + \Delta p_{\text{element}}$$

$$\Delta p_{\text{housing}} = (\text{see Point 3.1})$$

$$\Delta p_{\text{element}} = Q \cdot \frac{SK^*}{1000} \cdot \frac{\text{viscosity}}{30}$$

(*see Point 3.2)

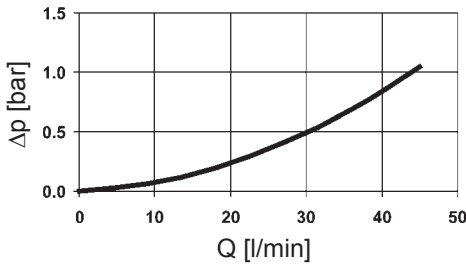
For ease of calculation, our Filter Sizing Program is available on request free of charge.

NEW: Sizing online at www.hydac.com

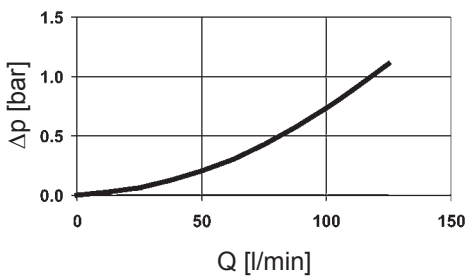
3.1 Δp -Q HOUSING CURVES BASED ON ISO 3968

The housing curves apply to mineral oil with a density of 0.86 kg/dm³ and a kinematic viscosity of 30 mm²/s. In this case, the differential pressure changes proportionally to the density.

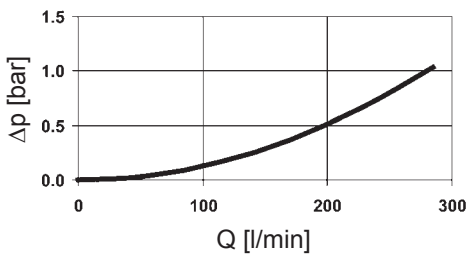
LF 30



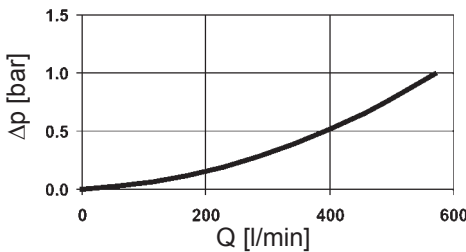
LF 60-110



LF 160-240



LF 330-660



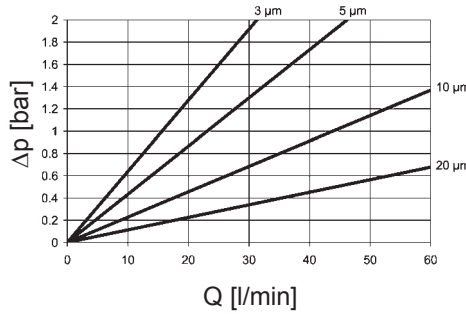
LF Δp -Q housing curves on request!

3.2 GRADIENT COEFFICIENTS (SK) FOR FILTER ELEMENTS

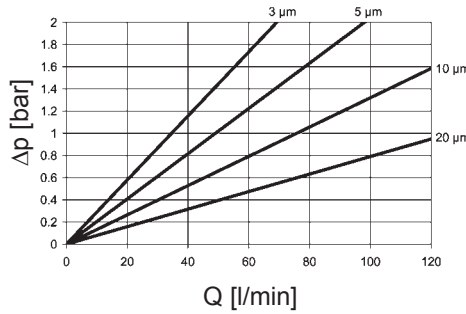
The gradient coefficients in mbar/(l/min) apply to mineral oils with a kinematic viscosity of 30 mm²/s. The pressure drop changes proportionally to the change in viscosity.

LF/	V				W	BH4HC			
	3 μm	5 μm	10 μm	20 μm		3 μm	5 μm	10 μm	20 μm
LFF					-				
30	18.0	13.0	7.4	3.7	3.367	91.2	50.7	36.3	19.0
60	16.0	11.0	6.5	3.3	1.683	58.6	32.6	18.1	12.2
110	8.3	6.0	4.2	2.1	0.918	25.4	14.9	8.9	5.6
160	4.5	3.2	2.3	1.4	0.631	16.8	10.4	5.9	4.4
240	3.2	2.4	1.9	1.1	0.421	10.6	6.8	3.9	2.9
330	2.1	1.5	1.3	0.8	0.307	7.7	4.5	2.8	2.0
660	1.1	0.9	0.6	0.3	0.153	3.3	1.9	1.0	0.9

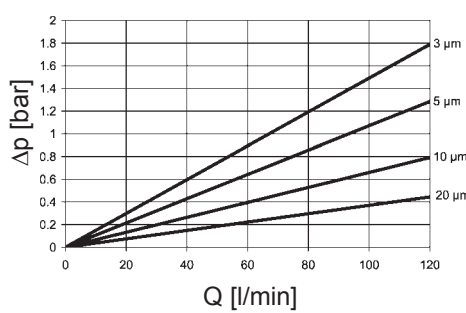
BN4HC: 30



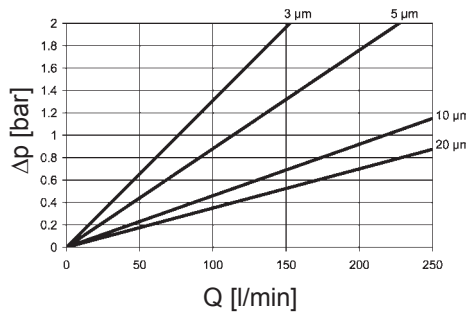
BN4HC: 60



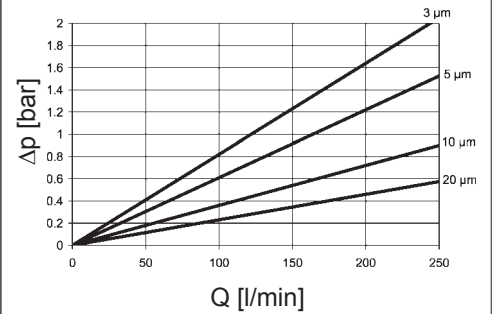
BN4HC: 110



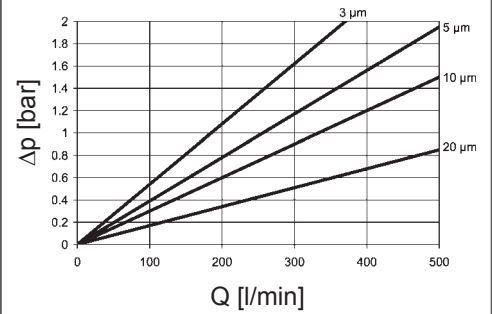
BN4HC: 160



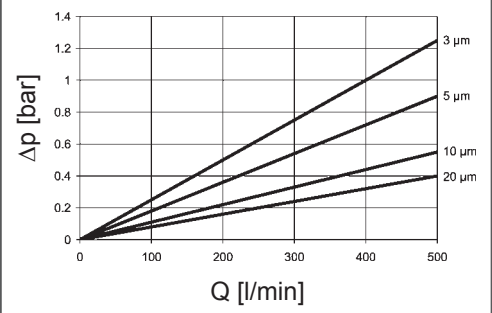
BN4HC: 240



BN4HC: 330



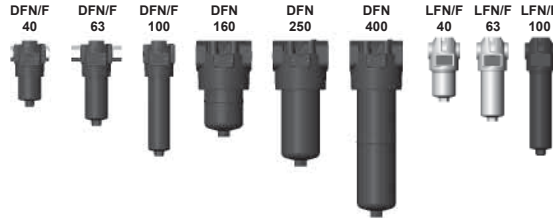
BN4HC: 660





Inline Filter DFN/DFNF/LFN/LFNF to DIN 24550

up to 400 l/min, up to 400 bar



1. TECHNICAL SPECIFICATIONS

1.1 FILTER HOUSING

Construction

The filter housings are designed in accordance with international regulations. They consist of a filter head and a screw-in filter bowl.

DFNF and LFNF filters are suitable for flow in both directions.

Standard equipment:

- without bypass valve
- connection for a clogging indicator

1.2 FILTER ELEMENTS

HYDAC filter elements are validated and their quality is constantly monitored according to the following standards:

- ISO 2941
- ISO 2942
- ISO 2943
- ISO 3724
- ISO 3968
- ISO 11170
- ISO 16889

Contamination retention capacities in g

LFN, LFNF DFN, DFNF	Betamicon® (BN4HC)			
	3 µm	6 µm	10 µm	25 µm
40	5.2	5.6	6.3	7.0
63	9.2	9.9	11.1	12.8
100	15.4	16.5	18.6	20.6
160	27.5	29.3	33.1	36.7
250	46.0	49.0	55.2	61.3
400	76.2	81.3	91.4	101.5

LFN, LFNF DFN, DFNF	Betamicon® (BH4HC)			
	3 µm	6 µm	10 µm	25 µm
40	4.1	4.4	5.2	6.2
63	7.3	7.9	9.2	11.2
100	12.2	13.2	15.5	18.9
160	21.8	23.9	27.8	33.8
250	38.1	41.7	48.6	59.0
400	63.6	69.5	81.0	98.3

Filter elements are available with the following pressure stability values:

Betamicon® (BN4HC):	20 bar
Betamicon® (BH4HC):	160 bar
Wire mesh (W/H):	20 bar

1.3 FILTER SPECIFICATIONS

Nominal pressure	100 bar : all LFN and LFNF 210 bar : DFN 160, 400 400 bar : DFN 40, 63, 100, 250 DFNF 40, 63, 100
Fatigue strength	At nominal pressure 10 ⁶ cycles from 0 to nominal pressure
Temperature range	-30 °C to +100 °C (-30 °C to -10 °C = 200 bar - only DFN/F)
Material of filter head (and cover plate)	EN-GJS-400-15: DFN/F Aluminium : LFN/F
Material of filter bowl (tube)	Steel : DFN/F Aluminium : LFN/F 40, 63 Steel : LFN/F 100
Type of indicator	VM (Diff. pressure ind. up to 210 bar oper. pressure - not for type LZ) VD (Diff. pressure ind. up to 420 bar oper. pressure)
Pressure setting of the clogging indicator	5 bar (others on request)
Bypass cracking pressure (optional)	7 bar (others on request)

1.4 SEALS

NBR (= Perbunan)

1.5 INSTALLATION

As inline filter

1.6 SPECIAL MODELS AND ACCESSORIES

- with bypass valve
- FPM seals

1.7 SPARE PARTS

See Original Spare Parts List

1.8 CERTIFICATES AND APPROVALS

On request

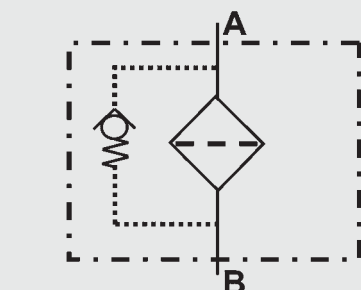
1.9 COMPATIBILITY WITH HYDRAULIC FLUIDS ISO 2943

- Hydraulic oils H to HLPD DIN 51524
- Lubrication oils DIN 51517, API, ACEA, DIN 51515, ISO 6743
- Compressor oils DIN 51506
- Biodegradable operating fluids VDMA 24568 HETG, HEES, HEPG
- Fire-resistant fluids HFA, HFB, HFC and HFD
- Operating fluids with high water content (>50% water content) on request

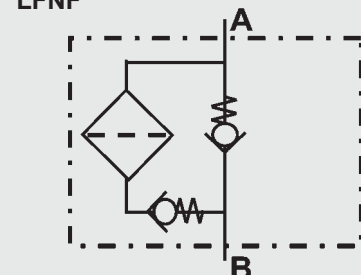
1.10 IMPORTANT INFORMATION

- Filter housings must be earthed.
- When using electrical clogging indicators, the electrical power supply to the system must be switched off before removing the clogging indicator connector.

Symbol for hydraulic systems DFN / LFN



DFNF/ LFNF



2. MODEL CODE (also order example)

DFN BN/HC 250 S F 10 D 1 . X /-L24

2.1 COMPLETE FILTER

Filter type

DFN, LFN, LFNF, DFNF

Filter material of element

BN/HC Betamicon® (BN4HC) BH/HC Betamicon® (BH4HC)
W/HC Wire mesh

Size of filter or element

DFN: 40, 63, 100, 160*, 250, 400 (*on request)
DFNF: 40, 63, 100
LFN/F: 40, 63, 100

Operating pressure

I = 100 bar (LFN and LFNF)
L = 210 bar (DFN 160, 400)
S = 400 bar (DFN 40, 63, 100, 250; DFNF 40, 63, 100)

Type and size of connection

Type	Connection	Filter size					
		40	63	100	160	250	400
B	G 1/2	●	x	x			
C	G 3/4	x	●	x			
D	G 1	x	x	●			
E	G 1 1/4				●	x	x
F	G 1 1/2				x	●	x
K	DN 40*				x	x	●

*Flange SAE, 6000 PSI

Filtration rating in µm

BN/HC, BH/HC: 3, 6, 10, 25 W/HC: 25, 50, 100, 200

Type of clogging indicator

Y plastic blanking plug in indicator port
A steel blanking plug in indicator port
B visual
C electrical
D visual and electrical
LZ visual-mechanical / electrical

for other clogging indicators,
see brochure no. 7.050../..

Type code

1 DFN / DFNF
2 LFN / LFNF

Modification number

X the latest version is always supplied

Supplementary details

B. bypass cracking pressure (e.g. B7 = 7 bar); without details = without bypass valve
L... light with appropriate voltage (24V, 48V, 110V, 220V)] only for clogging
LED 2 light emitting diodes up to 24 Volt] indicators type D
AV LZ indicator with plug to AUDI and VW specification
BO LZ indicator with plug and pin connection to BMW and Opel specification (M12x1)
CN LZ indicator with plug to DIN 43651 with 3 LEDs (CNOMO specification)
DB LZ indicator with plug to DIN 43651 with 3 LEDs (Daimler-Benz specification)
D4C LZ with plug and pin connection to Daimler-Chrysler specification and cold start suppression 30°C
BO-LED as for BO, but with diode strip
SO368 inlet and outlet G 1/2 (without RI connection; only for DFN/F 40, 63, 100)
V FPM seals
W suitable for HFA and HFC emulsions

2.2 REPLACEMENT ELEMENT

0250 DN 010 BN4HC /-V

Size

0040, 0063, 0100, 0160, 0250, 0400

Type

DN

Filtration rating in µm

BN4HC, BH4HC: 003, 006, 010, 025 W/HC: 025, 050, 100, 200

Filter material

BN4HC, BH4HC, W/HC

Supplementary details

V (for descriptions, see point 2.1)

2.3 REPLACEMENT CLOGGING INDICATOR

VM 5 D . X /-L24

Type of indicator

VM differential pressure indicator up to 210 bar operating pressure (not for type LZ)
VD differential pressure indicator 420 bar operating pressure

Pressure setting

5 standard 5 bar, others on request

Type of clogging indicator (see Point 2.1)

Modification number

X the latest version is always supplied

Supplementary details

L..., LED, V, W (for descriptions, see point 2.1)

3. FILTER CALCULATION / SIZING

The total pressure drop of a filter at a certain flow rate Q is the sum of the housing Δp and the element Δp and is calculated as follows:

$$\Delta p_{\text{total}} = \Delta p_{\text{housing}} + \Delta p_{\text{element}}$$

$$\Delta p_{\text{housing}} = (\text{see Point 3.1})$$

$$\Delta p_{\text{element}} = Q \cdot \frac{SK^*}{1000} \cdot \frac{\text{viscosity}}{30}$$

(*see Point 3.2)

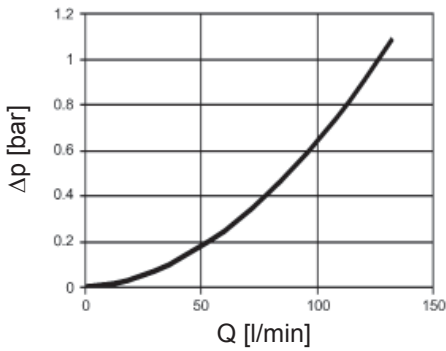
For ease of calculation, our Filter Sizing Program is available on request free of charge.

NEW: Sizing online at www.hydac.com

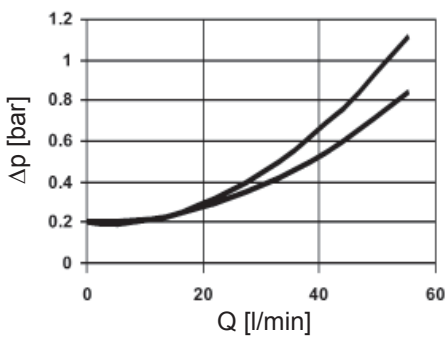
3.1 Δp -Q HOUSING CURVES BASED ON ISO 3968

The housing curves apply to mineral oil with a density of 0.86 kg/dm³ and a kinematic viscosity of 30 mm²/s. In this case, the differential pressure changes proportionally to the density.

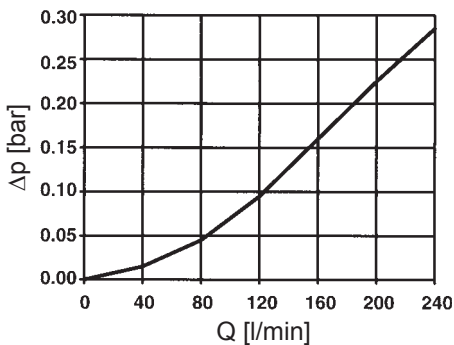
DFN 40, 63, 100
LFN 40, 63, 100



DFNF / LFN 40, 63, 100



DFN 160, 250, 400

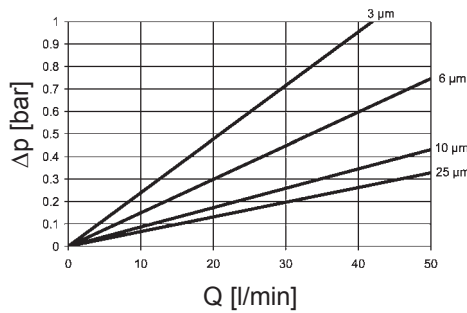


3.2 GRADIENT COEFFICIENTS (SK) FOR FILTER ELEMENTS

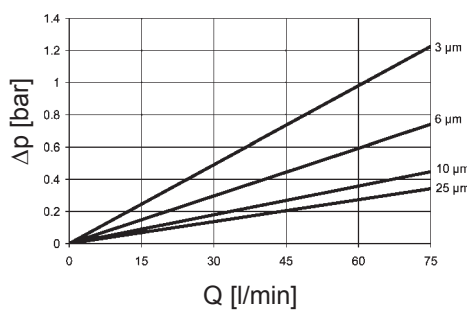
The gradient coefficients in mbar/(l/min) apply to mineral oils with a kinematic viscosity of 30 mm²/s. The pressure drop changes proportionally to the change in viscosity.

LFN/F	BH4HC				W/HC
DFN/F	3 μm	5 μm	10 μm	20 μm	—
40	40.4	24.8	16.4	10.9	0.966
63	29.0	18.2	11.7	7.6	0.54
100	19.0	11.7	7.7	5.3	0.325
160	8.0	5.1	3.8	2.5	0.168
250	5.4	3.4	2.8	1.9	0.101
400	3.4	2.1	1.7	1.1	0.068

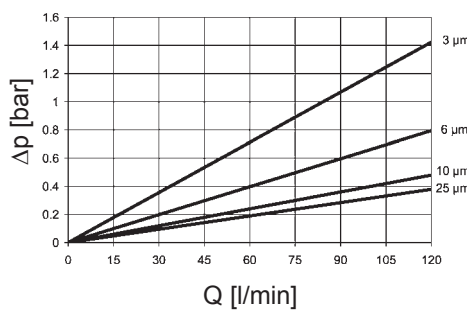
BN4HC: DFN / DFNF / LFN / LFN 40



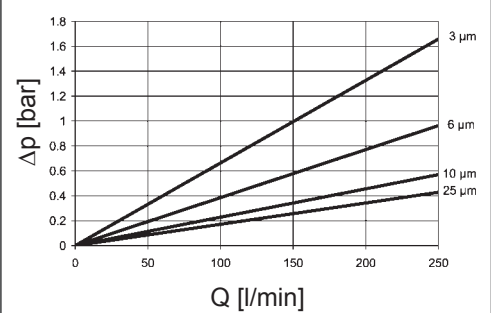
BN4HC: DFN / DFNF / LFN / LFN 63



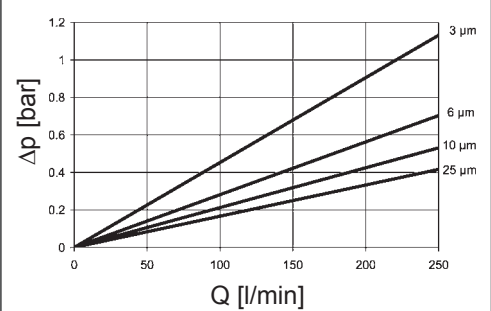
BN4HC: DFN / DFNF / LFN / LFN 100



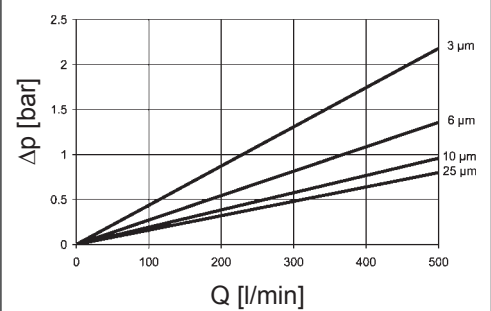
BN4HC: DFN 160



BN4HC: DFN 250

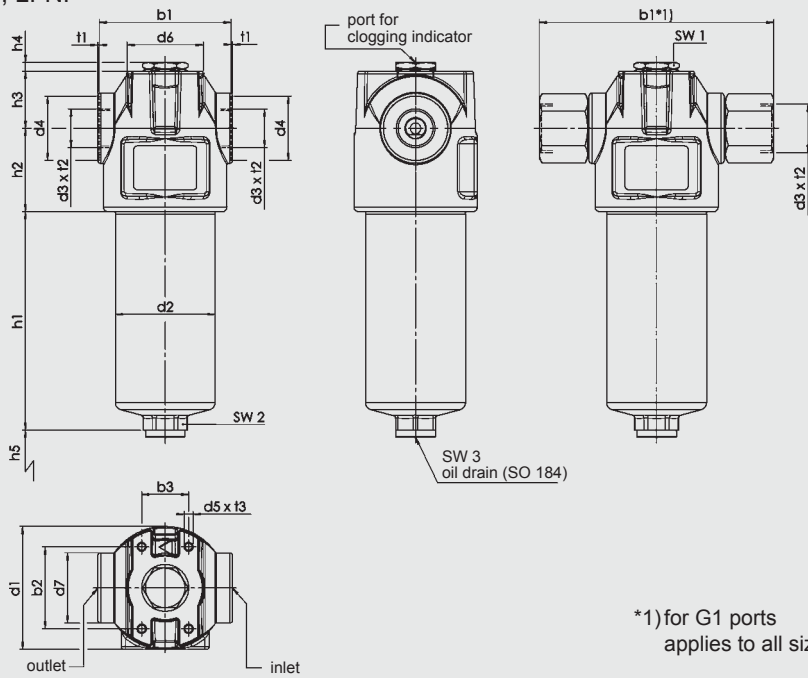


BN4HC: DFN 400



4. DIMENSIONS

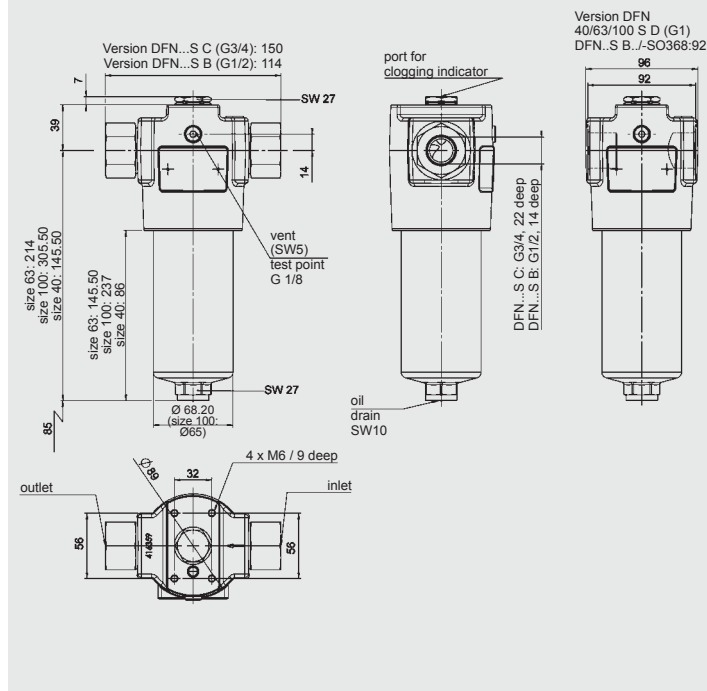
LFN, LFNF



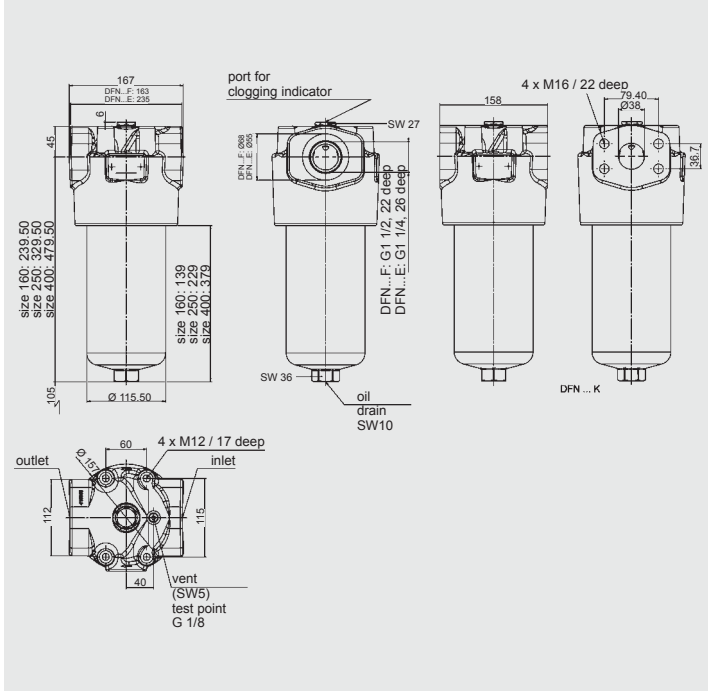
Type	Weight incl. element [kg]	Volume of pressure chamber [l]
LFN 40	1.45	0.26
LFN 63	1.8	0.40
LFN 100	4.3	0.50
LFNF 40	1.45	0.26
LFNF 63	1.8	0.40
LFNF 100	4.3	0.50
DFN 40	5.0	0.22
DFN 63	6.0	0.33
DFN 100	6.25	0.50
DFN 160	20.0	1.10
DFN 250	22.0	1.70
DFN 400	26.5	2.70
DFNF 40	5.0	0.22
DFNF 63	6.0	0.33
DFNF 100	6.25	0.50

Type	b1	b2	b3	d1	d2	d3	d4	d5	d6	d7	h1	h2	h3	h4	h5	SW1	SW2	t1	t2	t3
LFN 40	90	56	32	84	68	G 1/2	34	M6	52	48	90	57	39	6	75	27	27	1	14	9
LFN 63	90	56	32	84	68	G 3/4	44	M6	52	48	150	57	39	6	75	27	27	1	17	9
LFN 100	160 ^{*1)}	56	32	84	65	G 1	-	M6	52	48	245.5	57	39	6	75	27	27	-	24.5	9
LFNF 40	90	56	32	84	68.2	G 1/2	34	M6	52	48	90	57	39	6	75	27	27	1	14	9
LFNF 63	90	56	32	84	68.2	G 3/4	44	M6	52	48	150	57	39	6	75	27	27	1	17	9
LFNF 100	160 ^{*1)}	56	32	84	65	G 1	-	M6	52	48	245.5	57	39	6	75	27	27	-	24.5	9

DFN / DFNF 40 - 100



DFN 160 - 400

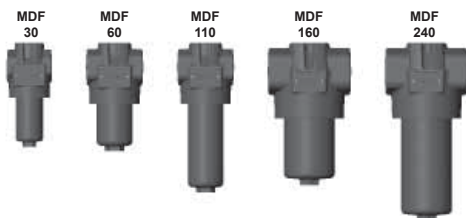


NOTE

The information in this brochure relates to the operating conditions and applications described.
For applications and operating conditions not described, please contact the relevant technical department.
Subject to technical modifications.

HYDAC FILTERTECHNIK GMBH
Industriegebiet
D-66280 Sulzbach/Saar, Germany
Tel.: 0 68 97 / 509-01
Fax: 0 68 97 / 509-300
Internet: www.hydac.com
E-mail: filter@hydac.com

Pressure Filter MDF up to 350 l/min, up to 280 bar



1. TECHNICAL SPECIFICATIONS

1.1 FILTER HOUSING Construction

The filter housings are designed in accordance with international regulations. They consist of a filter head and a screw-in filter bowl.

Standard equipment:

- connection for a clogging indicator in filter head
- mounting holes in the filter head

1.2 FILTER ELEMENTS

HYDAC filter elements are validated and their quality is constantly monitored according to the following standards:

- ISO 2941
- ISO 2942
- ISO 2943
- ISO 3724
- ISO 3968
- ISO 11170
- ISO 16889

Contamination retention capacities in g

MDF	Betamicon® (BN4HC)			
	3 µm	5 µm	10 µm	20 µm
30	4.6	5.1	5.4	5.6
60	6.5	7.3	7.8	8.0
110	13.8	15.5	16.4	16.9
160	19.8	22.2	23.5	24.3
240	32.3	36.3	38.4	39.6

MDF	Betamicon® (BH4HC)			
	3 µm	5 µm	10 µm	20 µm
30	3	2.9	3.2	3.7
60	4.6	4.5	5	5.7
110	10.1	9.9	10.9	12.4
160	12.9	12.6	13.9	15.9
240	21.6	21.1	23.2	26.5

Filter elements are available with the following pressure stability values:

Betamicon® (BN4HC):	20 bar
Betamicon® (BH4HC):	210 bar
Wire mesh (W):	20 bar
Stainless steel fibre (V):	210 bar

1.3 FILTER SPECIFICATIONS

Nominal pressure	210 bar or 280 bar
Fatigue strength	min. 5 million cycles at 1.2 times nominal pressure (for other pressures, see Point 1.8)
Temperature range	-30 °C to +100 °C (-30 °C to -10 °C: p _{max} = 140 bar)
Material of filter head	EN-GJS-400-15
Material of filter bowl	Steel
Type of indicator	VM (Diff. pressure indicator up to 210 bar operating pressure) VD (Diff. pressure indicator up to 420 bar operating pressure)
Pressure setting of the clogging indicator	5 bar (others on request)
Bypass cracking pressure (optional)	6 bar (others on request)

1.4 SEALS

NBR (= Perbunan)

1.5 INSTALLATION

As inline filter

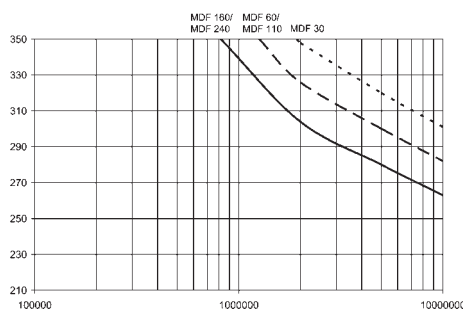
1.6 SPECIAL MODELS AND ACCESSORIES

- Bypass valve built into the head, separate from the main flow
- Oil drain plug
- Seals in FPM, EPDM
- Test and approval certificates

1.7 SPARE PARTS

See Original Spare Parts List

1.8 FATIGUE STRENGTH



1.9 CERTIFICATES AND APPROVALS

- Test certificate 2.2
- Manufacturer's certificate O and M to DIN 55350, part 18
- Other certificates on request

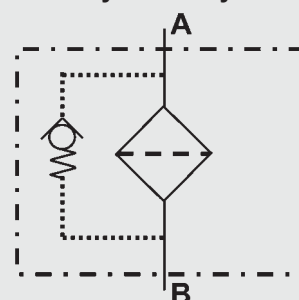
1.10 COMPATIBILITY WITH HYDRAULIC FLUIDS ISO 2943

- Hydraulic oils H to HLPD DIN 51524
- Lubrication oils DIN 51517, API, ACEA, DIN 51515, ISO 6743
- Compressor oils DIN 51506
- Biodegradable operating fluids VDMA 24568 HETG, HEES, HEPG
- Fire-resistant fluids HFA, HFB, HFC and HFD
- Operating fluids with high water content (>50% water content) on request

1.11 IMPORTANT INFORMATION

- Filter housings must be earthed.
- When using electrical clogging indicators, the electrical power supply to the system must be switched off before removing the clogging indicator connector.

Symbol for hydraulic systems



2. MODEL CODE (also order example)

MDF BN/HC 60 O C 10 D 1 . X /-L24

2.1 COMPLETE FILTER

Filter type

MDF

Filter material of filter element

BN/HC Betamicon® (BN4HC) W Stainl. steel wire mesh

BH/HC Betamicon® (BH4HC) V Stainless steel fibre

Size of filter or element

MDF: 30, 60, 110, 160, 240

Operating pressure

Threaded port: L = 210 bar (VM clogging indicator)

O = 280 bar (standard; VD clogging indicator)

Flange connection: L = 210 bar (3000 PSI flange) → VM clogging indicator

Type and size of connection

Type	Connection	Filter size				
		30	60	110	160	240
B	G ½	●				
C	G¾	●	●	●		
D	G1		●	●		
E	G1¼				●	●
F	G1½				●	●
H	SAE DN 13	●				
I	SAE DN 20		●	●		
J	SAE DN 32				●	●

■ Preferred models

Filtration rating in µm

BN/HC, BH/HC, V: 3, 5, 10, 20

W: 25, 50, 100, 200

Type of clogging indicator

Y plastic blanking plug in indicator port

A steel blanking plug in indicator port

B visual

C electrical

D visual and electrical

for other clogging indicators,
see brochure no. 7.050../..

Type code

1

Modification number

X the latest version is always supplied

Supplementary details

B. bypass cracking pressure (e.g. B6 = 6 bar); without details = without bypass valve

L... light with appropriate voltage (24V, 48V, 110V, 220V)

LED 2 light emitting diodes up to 24 Volt

SO184 pressure release/oil drain screw

V FPM seals

W suitable for HFA, HFC oil-water emulsions (only necessary when using a clogging indicator or V or W elements)

2.2 REPLACEMENT ELEMENT

0060 D 010 BN4HC /-V

Size

0030, 0060, 0110, 0160, 0240

Type

D

Filtration rating in µm

BN4HC, BH4HC, V: 003, 005, 010, 020

W: 025, 050, 100, 200

Filter material

BN4HC, BH4HC, V, W

Supplementary details

V, W (for descriptions, see point 2.1)

2.3 REPLACEMENT CLOGGING INDICATOR

VM 5 D . X /-L24

Type of indicator

VM Diff. pressure indicator up to 210 bar oper. pressure

VD Diff. pressure indicator 420 bar oper. pressure

Pressure setting

5 standard 5 bar, others on request

Type of clogging indicator

D (see Point 2.1)

Modification number

X the latest version is always supplied

Supplementary details

L..., LED, V, W (for descriptions, see point 2.1)

3. FILTER CALCULATION / SIZING

The total pressure drop of a filter at a certain flow rate Q is the sum of the housing Δp and the element Δp and is calculated as follows:

$$\Delta p_{\text{total}} = \Delta p_{\text{housing}} + \Delta p_{\text{element}}$$

$$\Delta p_{\text{housing}} = (\text{see Point 3.1})$$

$$\Delta p_{\text{element}} = Q \cdot \frac{SK^*}{1000} \cdot \frac{\text{viscosity}}{30}$$

(*see point 3.2)

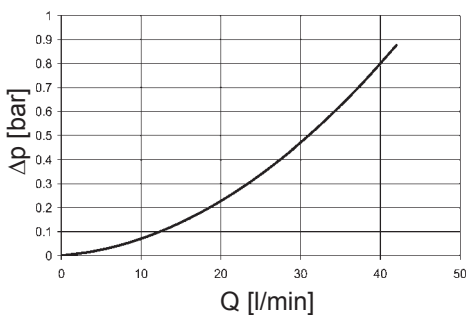
For ease of calculation, our Filter Sizing Program is available on request free of charge.

NEW: Sizing online at www.hydac.com

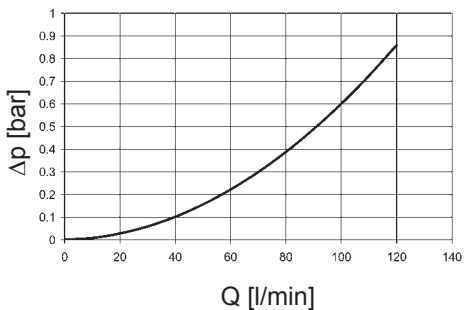
3.1 Δp -Q HOUSING CURVES BASED ON ISO 3968

The housing curves apply to mineral oil with a density of 0.86 kg/dm³ and a kinematic viscosity of 30 mm²/s. In this case, the differential pressure changes proportionally to the density.

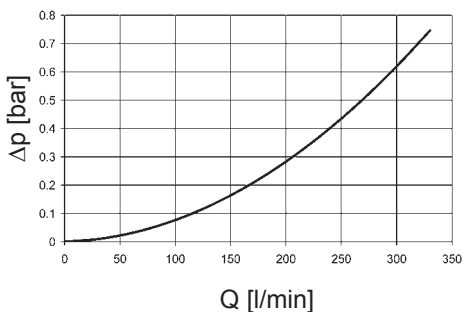
MDF 30



MDF 60-110



MDF 160-240

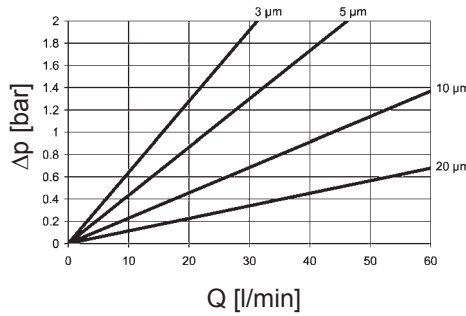


3.2 GRADIENT COEFFICIENTS (SK) FOR FILTER ELEMENTS

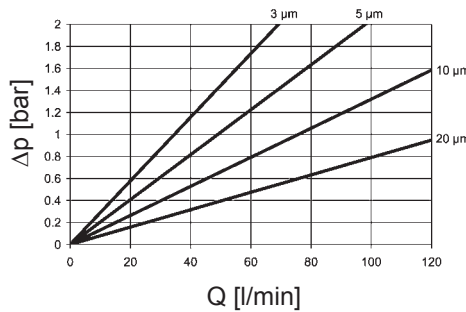
The gradient coefficients in mbar/(l/min) apply to mineral oils with a kinematic viscosity of 30 mm²/s. The pressure drop changes proportionally to the change in viscosity.

MDF	V				W	BH4HC			
	3 μm	5 μm	10 μm	20 μm		-	3 μm	5 μm	10 μm
30	18.0	13.0	7.4	3.7	3.367	91.2	50.7	36.3	19.0
60	16.0	11.0	6.5	3.3	1.683	58.6	32.6	18.1	12.2
110	8.3	6.0	4.2	2.1	0.918	25.4	14.9	8.9	5.6
160	4.5	3.2	2.3	1.4	0.631	16.8	10.4	5.9	4.4
240	3.2	2.4	1.9	1.1	0.421	10.6	6.8	3.9	2.9

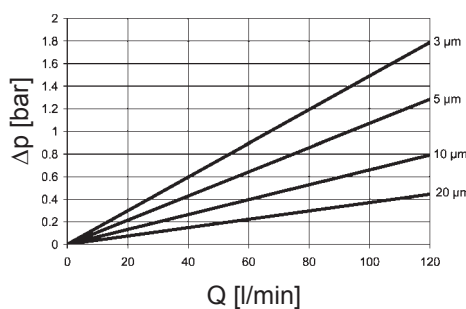
BN4HC: MDF 30



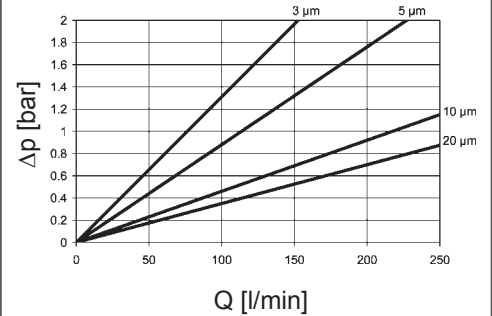
BN4HC: MDF 60



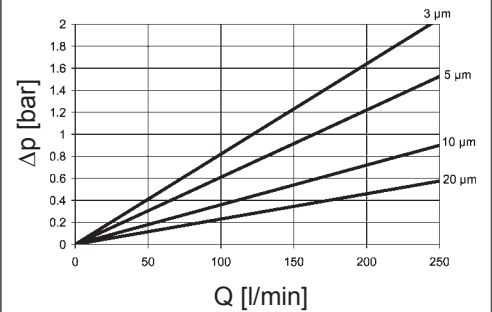
BN4HC: MDF 110



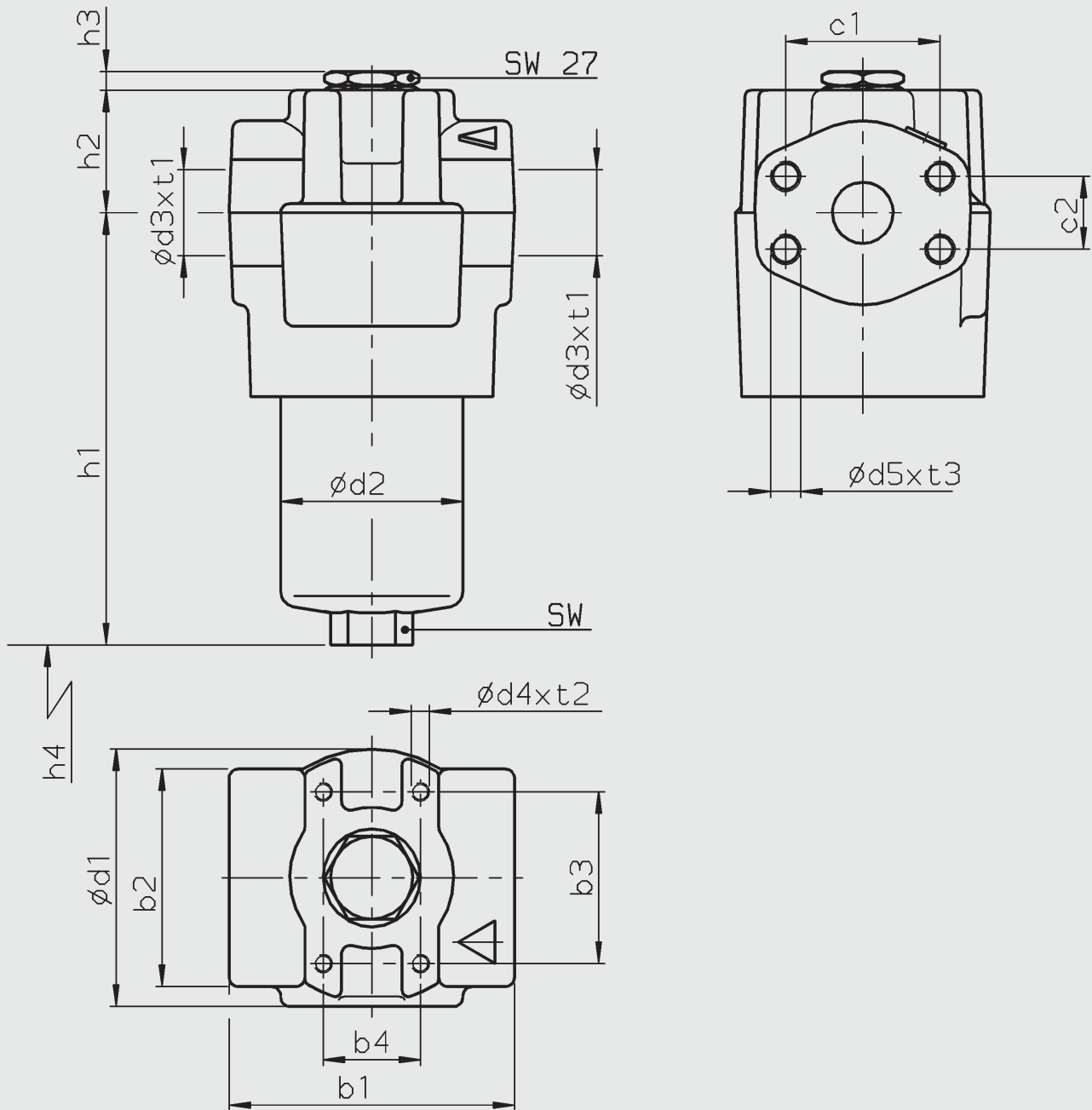
BN4HC: MDF 160



BN4HC: MDF 240



4. DIMENSIONS



MDF	b1	b2	b3	b4	c1	c2	d1	d2	d3	d4	d5	h1	h2	h3	h4	SW	t1	t2	t3	Weight incl. element [kg]	Volume of pressure chamber [l]
30 (B/C)	71	55	45	30	-	-	69	45	G $\frac{1}{2}$ - G $\frac{3}{4}$	M5	-	133	38	6	75	19	14 - 17	6	-	2.3	0.1
30 (H)	70	55	45	30	38.1	17.5	69	45	SAE DN 13	M5	M8	133	38	6	75	19	-	6	12	2.3	0.1
60 (C/D)	90	71	56	32	-	-	86	59	G $\frac{3}{4}$ - G1	M6	-	138	40	6	85	27	17 - 19	9	-	4.1	0.18
60 (I)	89	71	56	32	47.6	22.2	86	59	SAE DN 20	M6	M10	138	40	6	85	27	-	9	15	4.1	0.18
110 (C/D)	90	71	56	32	-	-	86	59	G $\frac{3}{4}$ - G1	M6	-	206	40	6	85	27	17 - 19	9	-	4.6	0.32
110 (I)	89	71	56	32	47.6	22.2	86	59	SAE DN 20	M6	M10	206	40	6	85	27	-	9	15	4.6	0.32
160 (E/F)	133	95	85	35	-	-	119	84	G1 $\frac{1}{4}$ - G1 $\frac{1}{2}$	M10	-	187	47	6	105	32	21 - 23	14	-	9.6	0.55
160 (J)	133	95	85	35	58.7	30.2	119	84	SAE DN 32	M10	M10	187	47	6	105	32	-	14	15	9.6	0.55
240 (E/F)	133	95	85	35	-	-	119	84	G1 $\frac{1}{4}$ - G1 $\frac{1}{2}$	M10	-	246	47	6	105	32	21 - 23	14	-	10.5	0.79
240 (J)	133	95	85	35	58.7	30.2	119	84	SAE DN 32	M10	M10	246	47	6	105	32	-	14	15	10.5	0.79

(.) = connection size (see Point 2.1: Type and size of connection)

NOTE

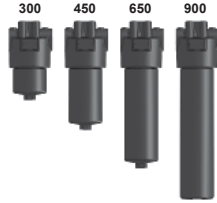
The information in this brochure relates to the operating conditions and applications described.
 For applications or operating conditions not described, please contact the relevant technical department.
 Subject to technical modifications.

HYDAC FILTERTECHNIK GMBH
 Industriegebiet
D-66280 Sulzbach/Saar, Germany
 Tel.: 0 68 97 / 509-01
 Fax: 0 68 97 / 509-300
 Internet: www.hydac.com
 E-mail: filter@hydac.com



Inline Filter HDF Inline Filter for Reversible Flow HDFS

up to 380 l/min, up to 280 (420) bar



1. TECHNICAL SPECIFICATIONS

1.1 FILTER HOUSING Construction

The filter housings are designed in accordance with international regulations. They consist of a filter head and a screw-in filter bowl. HDFS filters (on request) are suitable for flow in both directions.

Standard equipment:

- port in L-configuration
- without bypass valve
- connection for a clogging indicator in filter head

1.2 FILTER ELEMENTS

HYDAC filter elements are validated and their quality is constantly monitored according to the following standards:

- ISO 2941
- ISO 2942
- ISO 2943
- ISO 3724
- ISO 3968
- ISO 11170
- ISO 16889

Contamination retention capacities in g

HDF/ HDFS	Betamicon® (BN4HC)			
	3 µm	5 µm	10 µm	20 µm
300	26.1	29.3	31.0	32.0
450	52.1	58.7	62.0	63.9
650	85.4	96.1	101.5	104.7
900	112.8	127.0	134.1	138.3

HDF/ HDFS	Betamicon® (BH4HC)			
	3 µm	5 µm	10 µm	20 µm
300	17.0	16.6	18.3	20.9
450	35.0	34.2	37.6	42.9
650	58.3	57.1	62.8	71.6
900	77.3	75.7	83.1	94.8

Filter elements are available with the following pressure stability values:
Betamicon® (BN4HC): 20 bar
Betamicon® (BH4HC): 210 bar

Other filtration ratings on request.

1.3 FILTER SPECIFICATIONS

Nominal pressure	280 (420) bar
Fatigue strength	0 to 280 bar (min. 10 ⁶ cycles) 0 to 420 bar (min. 250,000 cycles)
Temperature range	-30 °C to +100 °C (-30 °C to -10 °C: p _{max} = 140 bar)
Material of filter head	EN-GJS 400-15
Material of filter bowl	Steel
Type of clogging indicator	VD (differential pressure indication up to 420 bar operating pressure)
Pressure setting of clogging indicator	5 bar for HDF (others on request) 8 bar for HDFS (others on request)
Cracking pressure of bypass only for HDF filters (optional)	6 bar (others on request)

1.4 SEALS

NBR (= Perbunan)

1.5 INSTALLATION

As inline filter with or without reversible oil flow

1.6 SPECIAL MODELS AND ACCESSORIES

- Seals in FPM, EPDM
- With bypass valve (only HDF filter)
- With No-Element valve (only HDF filter in L-configuration)
- With oil drain plug

1.7 SPARE PARTS

See Original Spare Parts List

1.8 CERTIFICATES AND APPROVALS

On request

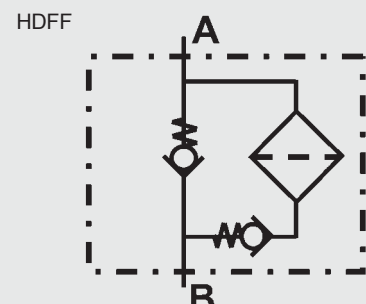
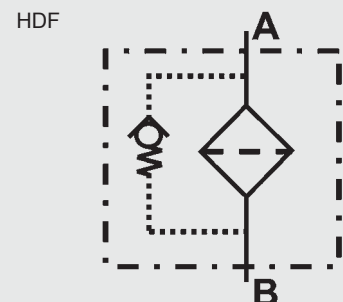
1.9 COMPATIBILITY WITH HYDRAULIC FLUIDS ISO 2943

- Hydraulic oils H to HLPD DIN 51524
- Lubrication oils DIN 51517, API, ACEA, DIN 51515, ISO 6743
- Compressor oils DIN 51506
- Biodegradable operating fluids VDMA 24568 HETG, HEES, HEPG
- Fire-resistant fluids HFA, HFB, HFC and HFD
- Operating fluids with high water content (>50% water content) on request

1.10 IMPORTANT INFORMATION

- Filter housings must be earthed.
- When using electrical clogging indicators, the electrical power supply to the system must be switched off before removing the clogging indicator connector.

Symbol for hydraulic systems



2. MODEL CODE (also order example)

HDF BN/HC 450 O L E 10 D 1 . X /-L24

2.1 COMPLETE FILTER

Filter type

HDF or HDFF (HDFF on request)

Filter material

BN/HC Betamicon® (BN4HC)
BH/HC Betamicon® (BH4HC)

Size of filter or element

HDF/HDFF: 300, 450, 650, 900

Operating pressure

O 280 bar

Head type

L Flow path in L-configuration (standard version)

Type and size of connection

Type	Connection	300	450	650	900
D	G 1	●	●	●	●
E	G1 ¼	●	●	●	●
F	G1 ½	●	●	●	●

Filtration rating in µm

BN/HC, BH/HC: 3, 5, 10, 20

Type of clogging indicator

Y plastic blanking plug in indicator port
A steel blanking plug in indicator port
BM visual
C electrical
D visual and electrical

for other clogging indicators,
see brochure no. 7.050../..

Type code

1

Modification number

X the latest version is always supplied

Supplementary details

B. bypass cracking pressure (e.g. B6 = 6 bar); without details = without bypass valve
L... light with appropriate voltage (24, 48, 110, 220 Volt)
LED 2 light-emitting diodes up to 24 Volt
NEV No Element valve (only for HDF filters in L-configuration)
SO184 pressure release/oil drain screw
V FPM seals

only for clogging indicators type "D"

2.2 REPLACEMENT ELEMENT

0450 D 010 BN4HC /-V

Size

0300, 0450, 0650, 0900

Type

D

Filtration rating in µm

BN4HC, BH4HC: 003, 005, 010, 020

Filter material

BN4HC, BH4HC

Supplementary details

V (for descriptions, see point 2.1)

2.3 REPLACEMENT CLOGGING INDICATOR

VD 5 D . X /-L24

Type

VD differential pressure indicator up to 420 bar operating pressure

Pressure setting

5 standard 5 bar (for HDF filters)
8 standard 8 bar (for HDFF filters)

others on request

Type of clogging indicator (see Point 2.1)

Modification number

X the latest version is always supplied

Supplementary details

V (for descriptions, see point 2.1)

3. FILTER CALCULATION / SIZING

The total pressure drop of a filter at a certain flow rate Q is the sum of the housing Δp and the element Δp and is calculated as follows:

$$\Delta p_{\text{total}} = \Delta p_{\text{housing}} + \Delta p_{\text{element}}$$

$$\Delta p_{\text{housing}} = (\text{see Point 3.1})$$

$$\Delta p_{\text{element}} = Q \cdot \frac{SK^*}{1000} \cdot \frac{\text{viscosity}}{30}$$

(*see Point 3.2)

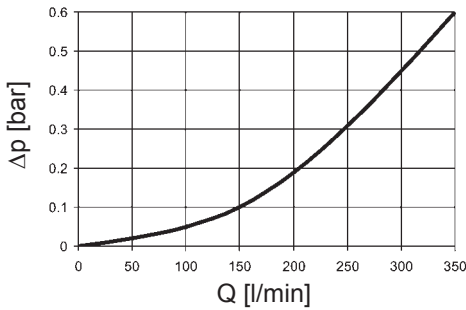
For ease of calculation, our Filter Sizing Program is available on request free of charge.

NEW: Sizing online at www.hydac.com

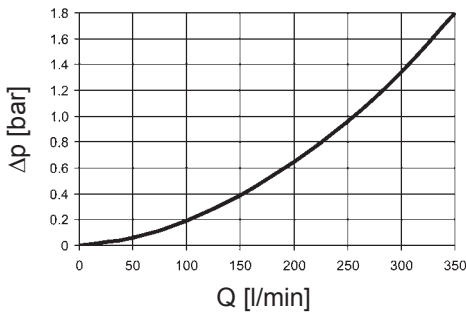
3.1 Δp -Q HOUSING CURVES BASED ON ISO 3968

The housing curves apply to mineral oil with a density of 0.86 kg/dm³ and a kinematic viscosity of 30 mm²/s. In this case, the differential pressure changes proportionally to the density.

HDF



HDF with NEV

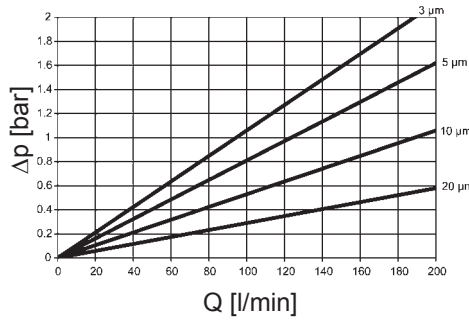


3.2 GRADIENT COEFFICIENTS (SK) FOR FILTER ELEMENTS

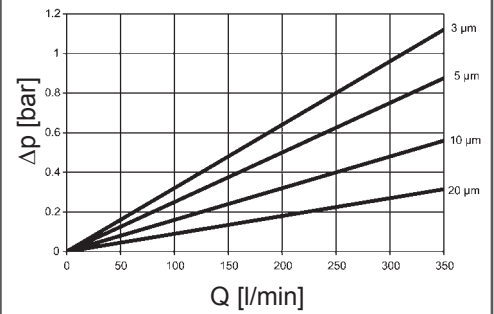
The gradient coefficients in mbar/(l/min) apply to mineral oils with a kinematic viscosity of 30 mm²/s. The pressure drop changes proportionally to the change in viscosity.

	BH4HC			
	3 μm	5 μm	10 μm	20 μm
300	16.0	8.9	7.1	3.3
450	7.8	4.3	3.4	1.6
650	4.7	2.6	2.1	1.0
900	3.5	2.0	1.6	0.7

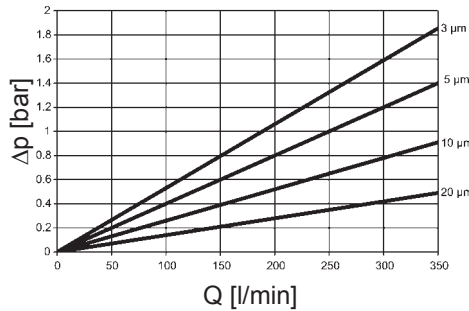
BN4HC: 300



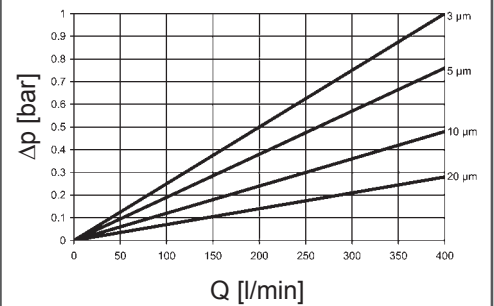
BN4HC: 650



BN4HC: 450

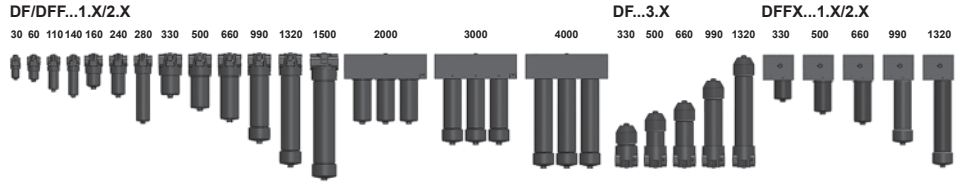


BN4HC: 900





Pressure Filter DF Pressure Filter for Reversible Oil Flow DFF/DFFX up to 2000 l/min, up to 420 bar



1. TECHNICAL SPECIFICATIONS

1.1 FILTER HOUSING

Construction

The filter housings are designed in accordance with international regulations. They consist of a filter head and a screw-in filter bowl. DFF filters are suitable for flow in both directions. The Δp optimized filters DFFX are also suitable for flow in both directions and the filter ports are in L configuration. Standard equipment:

- connection for a clogging indicator in filter head
- drain screw with pressure relief (for size DF/DF/DFFX 330 and above)
- 1 or 2-piece filter bowl available as an option for DF/DF/DFFX 280-660 and DF 2000
- 2-piece filter bowl standard for size DF/DF/DFFX 990 and above

1.2 FILTER ELEMENTS

HYDAC filter elements are validated and their quality is constantly monitored according to the following standards:

- ISO 2941, ISO 2942, ISO 2943, ISO 3724, ISO 3968, ISO 11170, ISO 16889

Contamination retention capacities in g

		Betamicon® (BN4HC)			
DF/DF/ Elements	DFFX	3 µm	5 µm	10 µm	20 µm
30	1x0030 D	4.6	5.1	5.4	5.6
60	1x0060 D	6.5	7.3	7.8	8.0
110	1x0110 D	13.8	15.5	16.4	16.9
140	1x0140 D	18.1	20.3	21.5	22.2
160	1x0160 D	19.8	22.2	23.5	24.3
240	1x0240 D	32.3	36.3	38.4	39.6
280	1x0280 D	70.6	79.3	83.9	86.6
330	1x0330 D	47.2	53.1	56.1	57.9
500	1x0500 D	76.9	86.5	91.5	94.4
660	1x0660 D	102.2	114.9	121.5	125.4
990	1x0990 D	154.5	173.7	183.7	189.5
1320	1x1320 D	209.9	236.0	249.6	257.5
1500	1x1500 D	220.0	226.0	238.0	246.0
2000	3x0660 D	306.6	344.7	364.5	376.2
3000	3x0990 D	463.5	521.1	551.1	568.5
4000	3x1320 D	629.7	708.0	748.8	772.5

Filter elements are available with the following pressure stability values:

Betamicon® (BN4HC):	20 bar
Betamicon® (BH4HC):	210 bar
Wire mesh (W):	20 bar
Stainless steel fibre (V):	210 bar

1.3 FILTER SPECIFICATIONS

Nominal pressure	420 bar
Fatigue strength	at nominal pressure 2x10 ⁶ cycles from 0 to nominal pressure (size 30 to 1320) 3x10 ⁵ cycles at 420 bar (size 1500) 3x10 ⁶ cycles at 280 bar (size 1500) 10 ⁶ cycles at 315 bar (size 2000-4000)
Temperature range	-30 °C to +100 °C (-30 °C to -10 °C: p _{max} = 210 bar)
Material of filter head	EN-GJS 400-15, ADI (size 330 - 1500)
Material of filter bowl	Steel
Type of clogging indicator	VD (differential pressure indication up to 420 bar operating pressure)
Pressure setting of clogging indicator	DF: 5 bar DFF/DFFX: 8 bar (others on request)
Cracking pressure of bypass only for size 30-1320 (optional)	6 bar (others on request)

		Betamicon® (BH4HC)			
DF/DF/ Elements	DFFX	3 µm	5 µm	10 µm	20 µm
30	1x0030 D	3.0	2.9	3.2	3.7
60	1x0060 D	4.6	4.5	5.0	5.7
110	1x0110 D	10.1	9.9	10.9	12.4
140	1x0140 D	13.3	13.0	14.3	16.3
160	1x0160 D	12.9	12.6	13.9	15.9
240	1x0240 D	21.6	21.1	23.2	26.5
280	1x0280 D	48.1	47.1	51.8	59.1
330	1x0330 D	34.6	33.9	37.2	42.5
500	1x0500 D	57.5	56.3	61.8	70.5
660	1x0660 D	76.8	75.2	82.6	94.3
990	1x0990 D	111.8	109.4	120.2	137.2
1320	1x1320 D	153.8	150.7	165.5	188.8
1500	1x1500 D	126.4	137.8	160.9	195.3
2000	3x0660 D	230.4	225.6	247.8	282.9
3000	3x0990 D	335.4	328.2	360.6	411.6
4000	3x1320 D	461.4	452.1	496.5	566.4

1.4 SEALS

NBR (= Perbunan)

1.5 INSTALLATION

As inline filter with or without reversible oil flow

1.6 SPECIAL MODELS AND ACCESSORIES

- Seals in FPM, EPDM
- With bypass valve (only DF filter)
- Oil drain screw, up to DF/DF 280
- In ADI material
- for high duty cycle (DF/DF 330-1500)
- Element top-removable - TKZ 3.X (only DF filters 330 - 1320)
- Δp -optimized filter (only DFFX filter 330-1320)

1.7 SPARE PARTS

See Original Spare Parts List

1.8 CERTIFICATES AND APPROVALS

On request

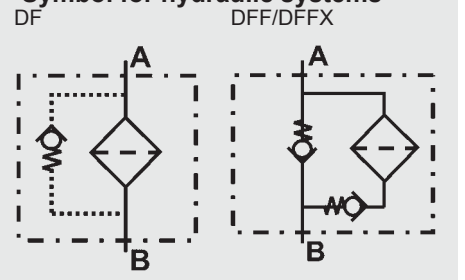
1.9 COMPATIBILITY WITH HYDRAULIC FLUIDS ISO 2943

- Hydraulic oils H to HLPD DIN 51524
- Lubrication oils DIN 51517, API, ACEA, DIN 51515, ISO 6743
- Compressor oils DIN 51506
- Biodegradable operating fluids VDMA 24568 HETG, HEES, HEPG
- Fire-resistant fluids HFA, HFB, HFC and HFD
- Operating fluids with high water content (>50% water content) on request

1.10 IMPORTANT INFORMATION

- Filter housings must be earthed.
- When using electrical clogging indicators, the electrical power supply to the system must be switched off before removing the clogging indicator connector.

Symbol for hydraulic systems



2. MODEL CODE (also order example)

DF BN/HC 1500 T L L 10 D 1 . X /-L24

2.1 COMPLETE FILTER

Filter type

DF, DFF, DFFX

Filter material

BN/HC Betamicon® (BN4HC) W Wire mesh
 BH/HC Betamicon® (BH4HC) V Stainless steel fibre

Size of filter or element

DF: 30, 60, 110, 140, 160, 240, 280, 330, 500, 660, 990, 1320, 1500, 2000, 3000, 4000
 DFF: 60, 110, 140, 160, 240, 280, 330, 500, 660, 990, 1320, 1500
 DFFX: 330, 500, 660, 990, 1320

Operating pressure

T 420 bar

Head design

no details inline filter ports (not possible for DFFX filters)
 L filter ports in L configuration (only DF/DFF 1500 and for all DFFX filters)

Type and size of connection

Type	Connection type	Filter size																
		30	60	110	140	160	240	280	330	500	660	990	1320	1500	2000	3000	4000	
B	G ½	•																
C	G ¾		•	•	•													
E	G1 ¼					•	•	•										
F	G1 ½								•	•	•	•	•					
G	G2													•				
I	SAE DN 20		•	•	•													
J	SAE DN 32					•	•	•										
L	SAE DN 50								•	•	•	•	•	•	•	•	•	•
N	SAE DN 80														•	•	•	•

• Preferred models

Filtration rating in µm

BN/HC, BH/HC, V: 3, 5, 10, 20 W: 25, 50, 100, 200

Type of clogging indicator

Y plastic blanking plug in indicator port
 A steel blanking plug in indicator port
 B visual
 C electrical
 D visual and electrical } for other clogging indicators, see brochure no. 7.050../..

Type code (TKZ)

1 one-piece filter bowl (up to DF/DFF/DFFX 660; DF 2000)
 2 two-piece filter bowl (size DF/DFF/DFFX 280)
 3 element top-removable (only DF 330 - 1320)

Modification number

X the latest version is always supplied

Supplementary details

ADI ADI material - for high duty cycle (only DF/DFF 330 - 1500)
 B. bypass cracking pressure (e.g. B6 = 6 bar); without details = without bypass valve
 L... light with appropriate voltage (24V, 48V, 110V, 220V) } only for clogging indicators
 LED 2 light emitting diodes up to 24 Volt type "D"
 P26 with 26" element (only DF/DFF 1500)
 P39 with 39" element (only DF/DFF 1500)
 SO184 pressure release/oil drain screw (standard for size DF/DFF 330 and above)
 V FPM seals
 W suitable for HFA, HFC oil-water emulsions (only necessary when using a clogging indicator or V or W elements)

2.2 REPLACEMENT ELEMENT

1500 D 010 BN4HC /-V

Size

0030, 0060, 0110, 0140, 0160, 0240, 0280, 0330, 0500, 0660, 0990, 1320, 1500

Type

D

Filtration rating in µm

BN4HC, BH4HC, V: 003, 005, 010, 020
 W: 025, 050, 100, 200

Filter material

BN4HC, BH4HC, W, V

Supplementary details

P26, P39, V, W (for descriptions, see Point 2.1)

2.3 REPLACEMENT CLOGGING INDICATOR

VD 5 D . X /-L24

Type

VD Differential pressure indicator up to 420 bar operating pressure

Pressure setting

5 standard for DF filter: 5 bar
 8 standard for DFF/DFFX filters: 8 bar } others on request

Type of clogging indicator (see Point 2.1)

Modification number

X the latest version is always supplied

Supplementary details

L..., LED, V, W (for descriptions, see point 2.1)

3. FILTER CALCULATION / SIZING

The total pressure drop of a filter at a certain flow rate Q is the sum of the housing Δp and the element Δp and is calculated as follows:

$$\Delta p_{\text{total}} = \Delta p_{\text{housing}} + \Delta p_{\text{element}}$$

$$\Delta p_{\text{housing}} = (\text{see Point 3.1})$$

$$\Delta p_{\text{element}} = Q \cdot \frac{SK^*}{1000} \cdot \frac{\text{viscosity}}{30}$$

(*see Point 3.2)

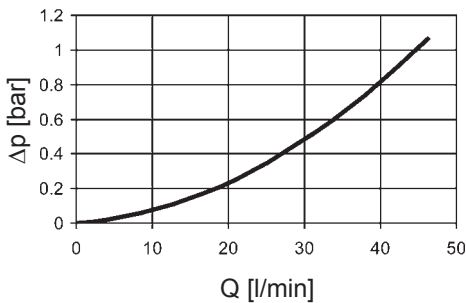
For ease of calculation, our Filter Sizing Program is available on request free of charge.

NEW: Sizing online at www.hydac.com

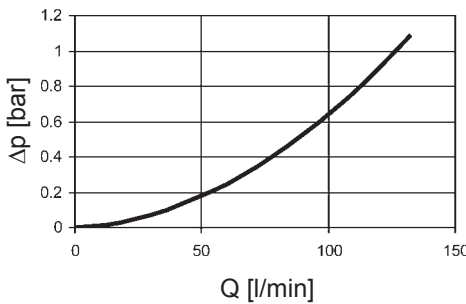
3.1 Δp -Q HOUSING CURVES BASED ON ISO 3968

The housing curves apply to mineral oil with a density of 0.86 kg/dm³ and a kinematic viscosity of 30 mm²/s. In this case, the differential pressure changes proportionally to the density.

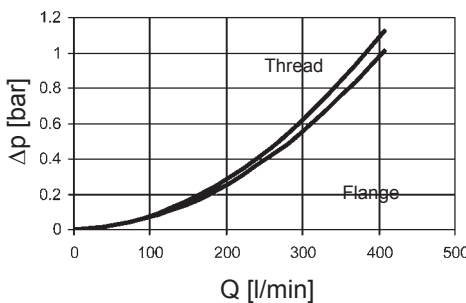
DF 30



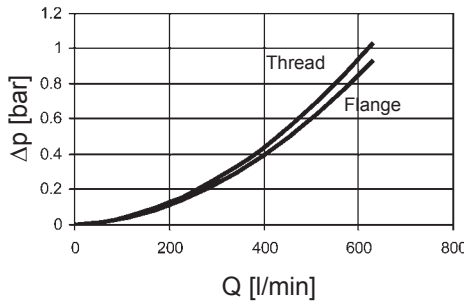
DF 60, 110, 140



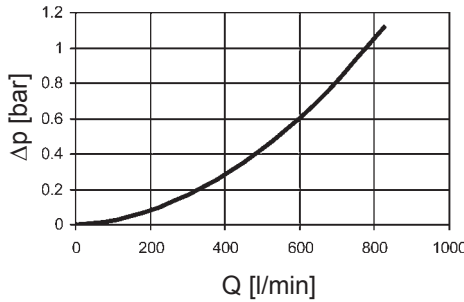
DF 160, 240, 280



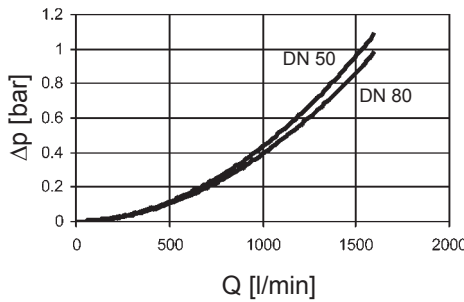
DF 330, 500, 660, 990, 1320



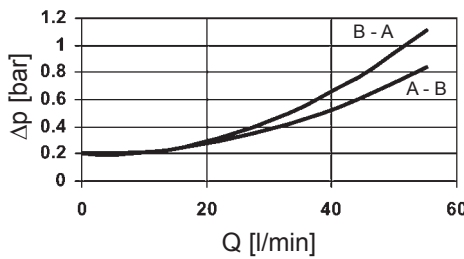
DF 1500



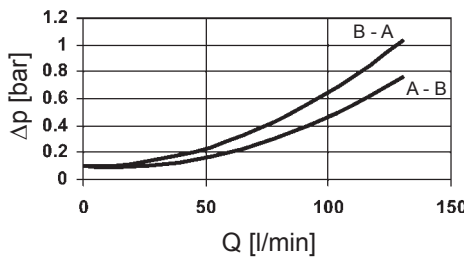
DF 2000, 3000, 4000



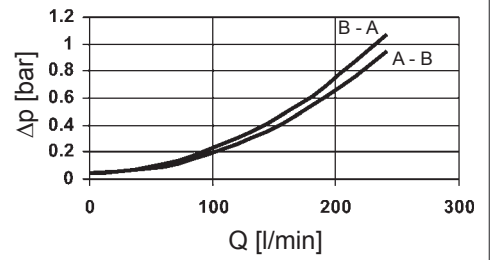
DFF 60, 110, 140



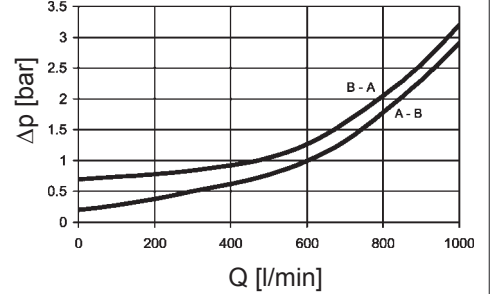
DFF 160, 240, 280



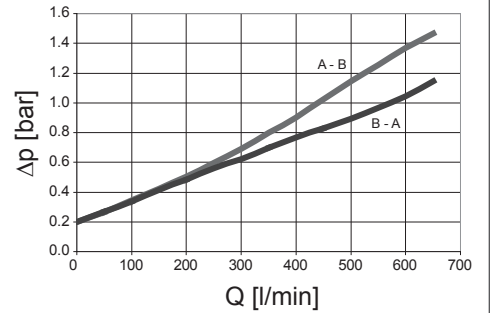
DFF 330, 500, 660, 990, 1320



DFF 1500



Δp optimized DFFX 330, 500, 660, 990, 1320

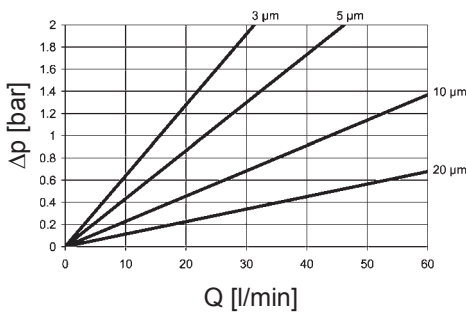


3.2 GRADIENT COEFFICIENTS (SK) FOR FILTER ELEMENTS

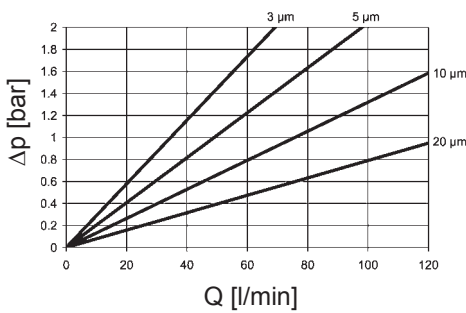
The gradient coefficients in mbar/(l/min) apply to mineral oils with a kinematic viscosity of 30 mm²/s. The pressure drop changes proportionally to the change in viscosity.

DF/DFV/ DFFX	V				W	BH4HC			
	3 μm	5 μm	10 μm	20 μm	–	3 μm	5 μm	10 μm	20 μm
30	18.4	13.5	7.5	3.6	3.030	91.2	50.7	36.3	19.0
60	16.0	9.3	5.4	3.3	0.757	58.6	32.6	18.1	12.2
110	8.2	5.6	3.3	2.2	0.413	25.4	14.9	8.9	5.6
140	5.8	4.8	3.1	2.3	0.324	19.9	11.3	8.1	4.3
160	4.6	3.2	2.3	1.4	0.284	16.8	10.4	5.9	4.4
240	3.1	2.5	1.7	1.1	0.189	10.6	6.8	3.9	2.9
280	2.3	1.7	1.2	0.8	0.162	5.7	3.4	1.8	1.6
330	2.2	1.8	1.2	0.8	0.138	7.7	4.5	2.8	2.0
500	1.5	1.2	0.8	0.5	0.091	4.2	2.6	1.5	1.2
660	1.1	0.9	0.6	0.4	0.069	3.3	1.9	1.0	0.9
990	0.8	0.6	0.4	0.3	0.046	2.2	1.3	0.8	0.6
1320	0.6	0.5	0.3	0.2	0.035	1.6	1.0	0.6	0.4
1500	–	–	–	–	–	1.4	0.8	0.6	0.5

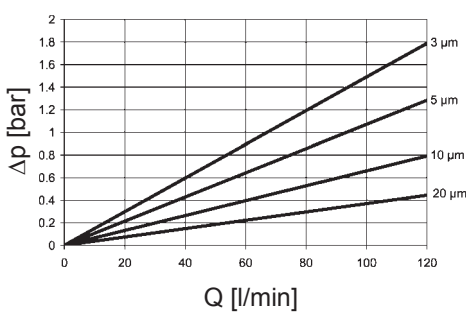
BN4HC: 30



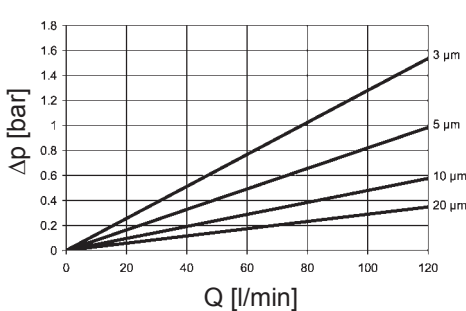
BN4HC: 60



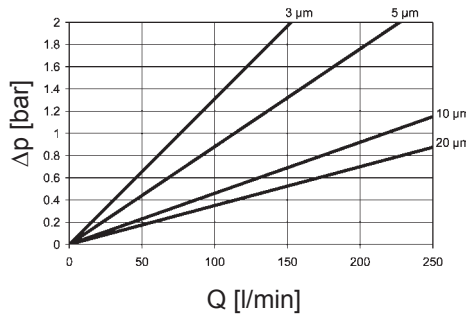
BN4HC: 110



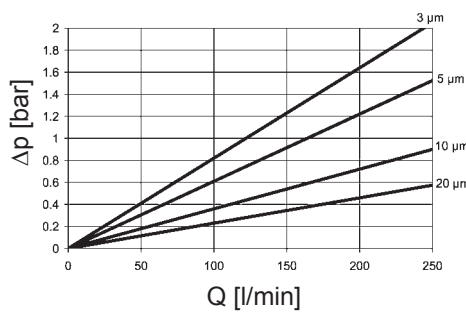
BN4HC: 140



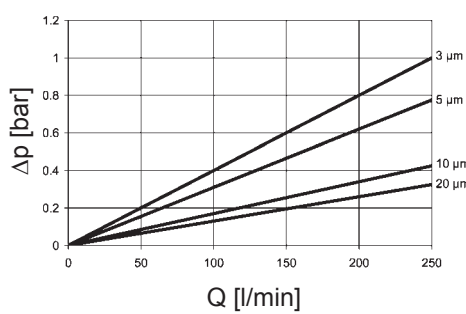
BN4HC: 160



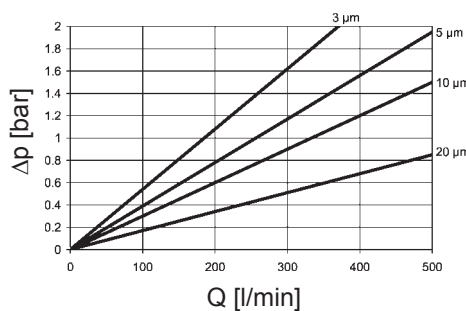
BN4HC: 240



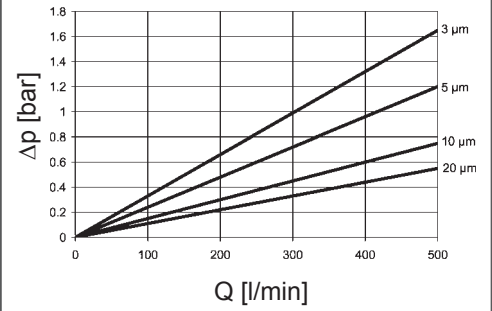
BN4HC: 280



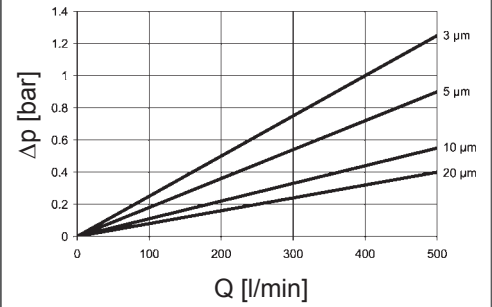
BN4HC: 330



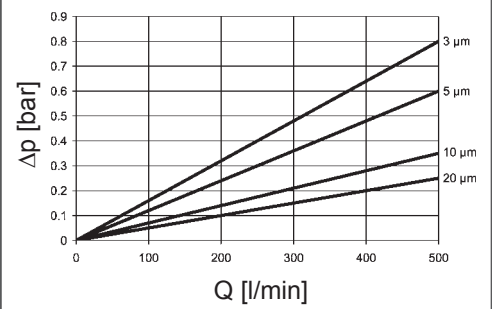
BN4HC: 500



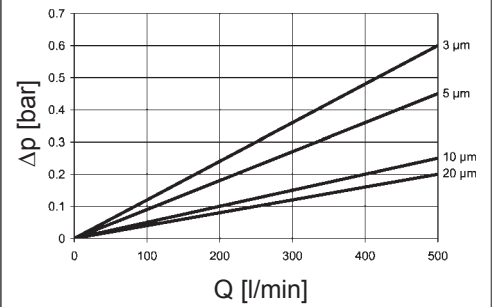
BN4HC: 660



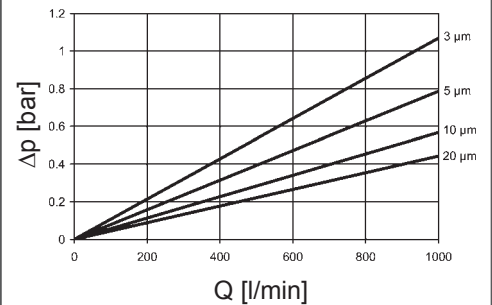
BN4HC: 990



BN4HC: 1320

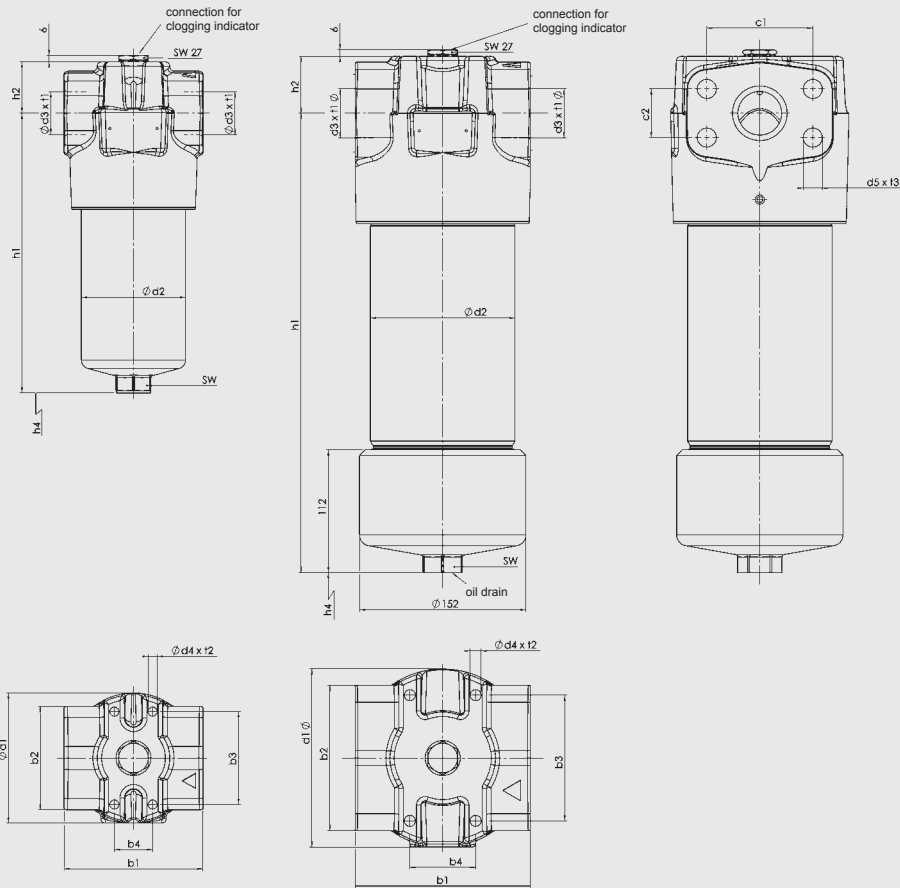


BN4HC: 1500



4. DIMENSIONS

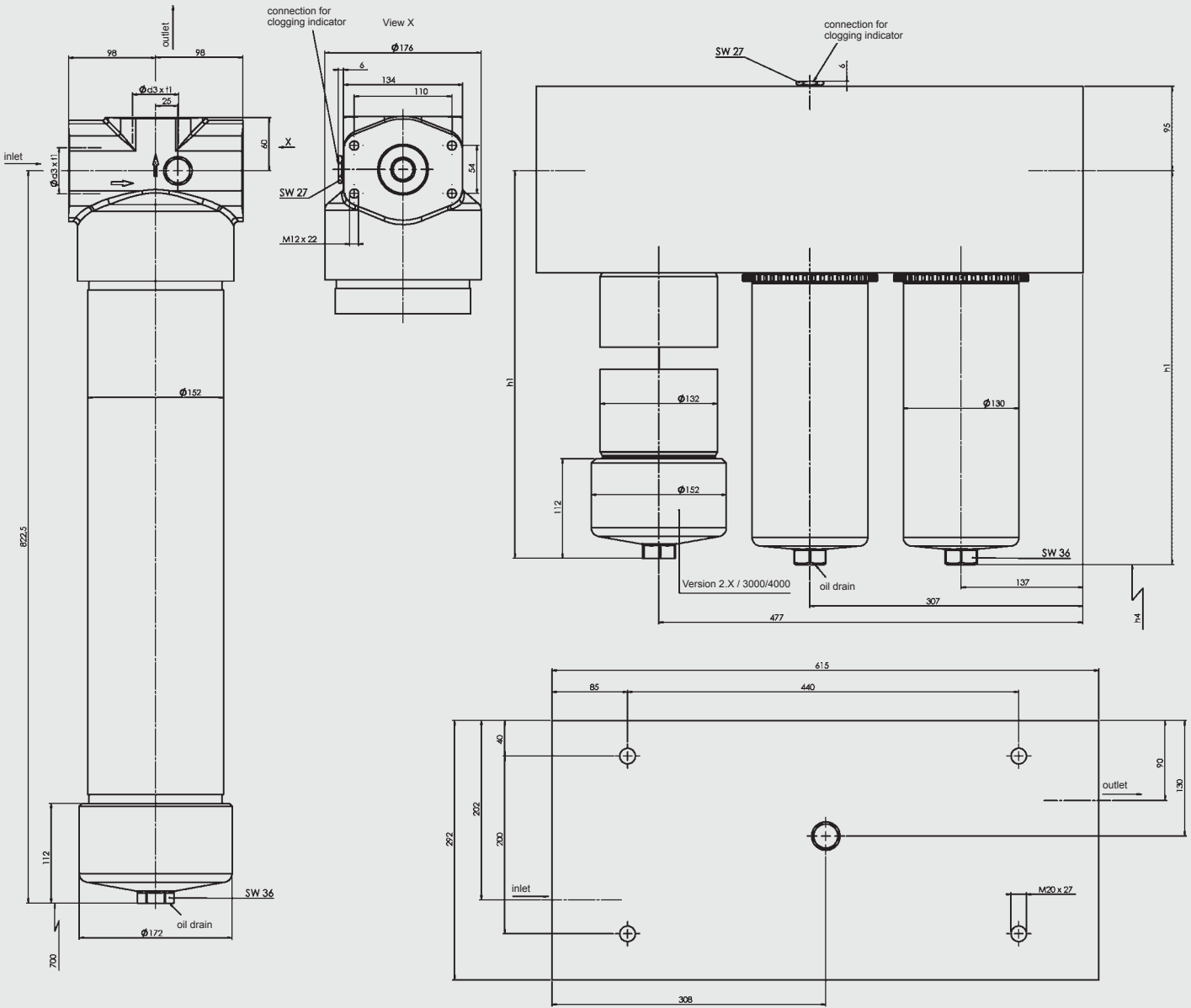
DF 30, DF/DFE 60 to 1500 (inline filter ports)



Type	b1	b2	b3	b4	c1	c2	d1	d2	d3	d4	d5	h1	h2	h4	SW	t1	t2	t3	Weight incl. element [kg]	Vol. of pressure chamber [l]
30... B...1.X	68	38	45	30	-	-	69	52	G 1/2	M5	-	131.5	38	75	24	14	6	-	2.3	0.13
60... C...1.X	90	71	56	32	-	-	86	68	G 3/4	M6	-	140	40	85	27	17	9	-	4.5	0.20
60... I...1.X	89	71	56	32	50.8	23.8	86	68	SAE DN 20	M6	M10	140	40	85	27	-	9	15	4.5	0.20
110... C...1.X	90	71	56	32	-	-	86	68	G 3/4	M6	-	209.5	40	85	27	17	9	-	5.4	0.33
110... I...1.X	89	71	56	32	50.8	23.8	86	68	SAE DN 20	M6	M10	209.5	40	85	27	-	9	15	5.4	0.33
140... C...1.X	89	71	56	32	-	-	86	68	G 3/4	M6	-	250.5	40	85	27	17	9	-	6.0	0.40
140... I...1.X	89	71	56	32	50.8	23.8	86	68	SAE DN 20	M6	M10	250.5	40	85	27	-	9	15	6.0	0.40
160... E...1.X	125	95	85	35	-	-	119	95	G1 1/4	M10	-	196.5	47	105	32	21	14	-	10.3	0.60
160... J...1.X	125	95	85	35	66.7	31.8	119	95	SAE DN 32	M10	M14	196.5	47	105	32	-	14	19	10.3	0.60
240... E...1.X	125	95	85	35	-	-	119	95	G1 1/4	M10	-	256	47	105	32	21	14	-	11.8	0.80
240... J...1.X	125	95	85	35	66.7	31.8	119	95	SAE DN 32	M10	M14	256	47	105	32	-	14	19	11.8	0.80
280... E...1.X	125	95	85	35	-	-	119	95	G1 1/4	M10	-	438	47	105	32	21	14	-	16.3	1.60
280... J...1.X	125	95	85	35	66.7	31.8	119	95	SAE DN 32	M10	M14	438	47	105	32	-	14	19	16.3	1.60
330... F...1.X	160	133	115	60	-	-	163	130	G1 1/2	M12	-	257.5	52	115	36	23	17	-	24.5	1.50
330... L...1.X	160	133	115	60	96.8	44.5	163	130	SAE DN 50	M12	M20	257.5	52	115	36	-	17	25	24.5	1.50
500... F...1.X	160	133	115	60	-	-	163	130	G1 1/2	M12	-	350.5	52	115	36	23	17	-	28.6	2.30
500... L...1.X	160	133	115	60	96.8	44.5	163	130	SAE DN 50	M12	M20	350.5	52	115	36	-	17	25	28.6	2.30
660... F...1.X	160	133	115	60	-	-	163	130	G1 1/2	M12	-	428	52	115	36	23	17	-	31.6	3.00
660... L...1.X	160	133	115	60	96.8	44.5	163	130	SAE DN 50	M12	M20	428	52	115	36	-	17	25	31.6	3.00
330... F...2.X	160	133	115	60	-	-	163	132	G1 1/2	M12	-	254	52	180	36	23	17	-	27.4	1.50
330... L...2.X	160	133	115	60	96.8	44.5	163	132	SAE DN 50	M12	M20	254	52	180	36	-	17	25	27.4	1.50
500... F...2.X	160	133	115	60	-	-	163	132	G1 1/2	M12	-	343	52	270	36	23	17	-	31.5	2.30
500... L...2.X	160	133	115	60	96.8	44.5	163	132	SAE DN 50	M12	M20	343	52	270	36	-	17	25	31.5	2.30
660... F...2.X	160	133	115	60	-	-	163	132	G1 1/2	M12	-	420	52	350	36	23	17	-	34.4	3.00
660... L...2.X	160	133	115	60	96.8	44.5	163	132	SAE DN 50	M12	M20	420	52	350	36	-	17	25	34.4	3.00
990... F...2.X	160	133	115	60	-	-	163	132	G1 1/2	M12	-	576	52	500	36	23	17	-	43.4	4.20
990... L...2.X	160	133	115	60	96.8	44.5	163	132	SAE DN 50	M12	M20	576	52	500	36	-	17	25	43.4	4.20
1320... F...2.X	160	133	115	60	-	-	163	132	G1 1/2	M12	-	742	52	670	36	23	17	-	51.1	5.60
1320... L...2.X	160	133	115	60	96.8	44.5	163	132	SAE DN 50	M12	M20	742	52	670	36	-	17	25	51.1	5.60
1500... G...2.X	196	134	110	54	-	-	176	152	G2	M12	-	822.5	60	700	36	30	22	-	69.3	8.20
1500... L...2.X	196	134	110	54	96.8	44.5	176	152	SAE DN 50	M12	M20	822.5	60	700	36	-	22	25	69.3	8.20

B, C, E, F, G = thread connection

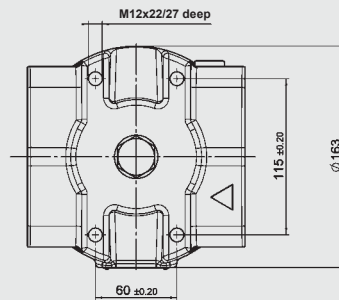
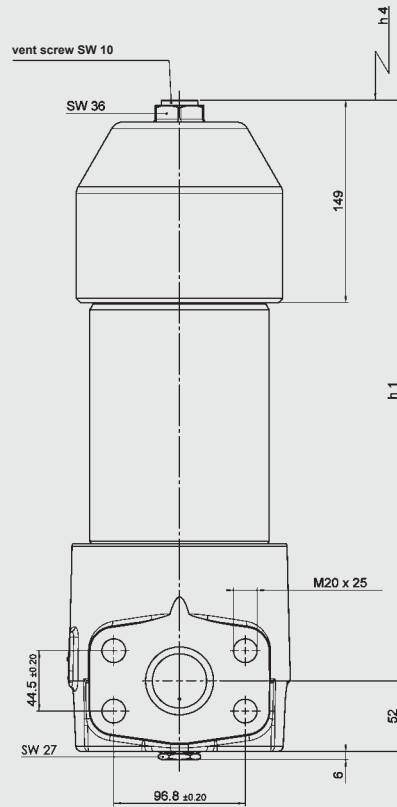
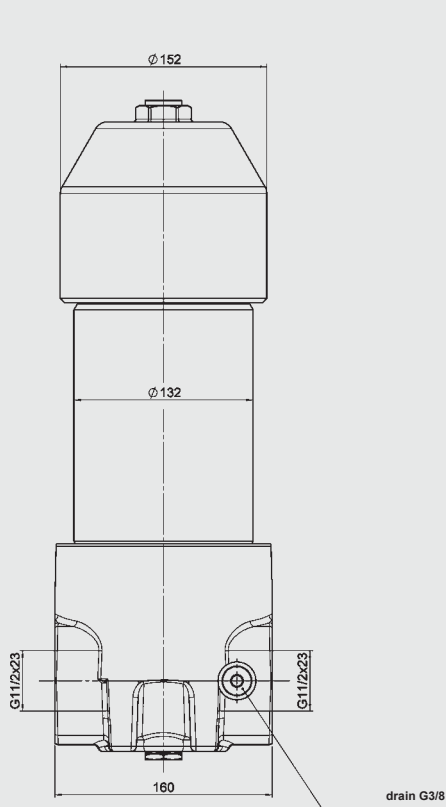
I, J, L = flange connection to DIN ISO 6162, 6000 psi with metric thread



Type	d3	h1	h4	t1	Weight incl. element [kg]	Volume of pressure chamber [l]
1500 .. LG .. 2.X	G2	—	700	30	69.3	8.20
1500 .. LL .. 2.X	SAE DN 50	—	700	—	69.3	8.20
2000 .. N ... 1.X	SAE DN 80	447	95	—	265	14.00
2000 .. N ... 2.X	SAE DN 80	440	350	—	274	14.00
3000 .. N ... 2.X	SAE DN 80	596	500	—	302	17.60
4000 .. N ... 2.X	SAE DN 80	762	670	—	326	21.80

G = thread connection
 L, N = flange connection to DIN ISO 6162, 6000 psi with metric thread

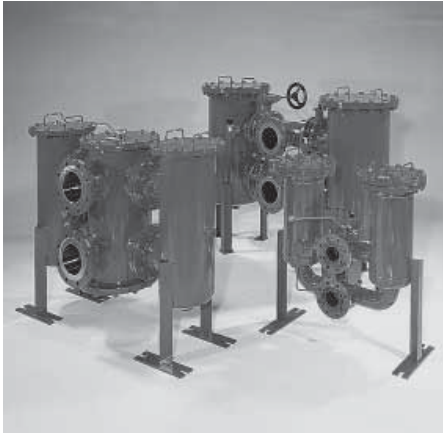
DF 330 to 1320...3.X (element top-removable)



Type	h1	h4	Weight incl. element [kg]	Volume of pressure chamber [l]
330...F...3.X	263	80	27.9	1.50
330...L...3.X	263	80	27.9	1.50
500...F...3.X	351	170	31.8	2.30
500...L...3.X	351	170	31.8	2.30
660...F...3.X	428	250	33.9	3.00
660...L...3.X	428	250	33.9	3.00
990...F...3.X	583	400	43.1	4.20
990...L...3.X	583	400	43.1	4.20
1320...F...3.X	749	570	50.8	5.60
1320...L...3.X	749	570	50.8	5.60

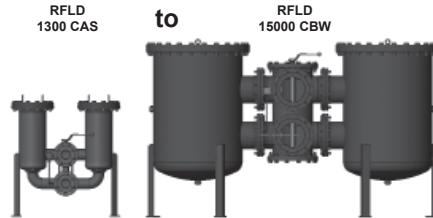
F = thread connection

L = flange connection to DIN ISO 6162, 6000 psi with metric thread



Change-Over Inline Filter RFLD Weld Version

up to 15000 l/min, up to 16 bar



1. TECHNICAL SPECIFICATIONS

1.1 FILTER HOUSING

Construction

The filter housings are designed in accordance with international regulations. The two sections of the filter housing (each with bolt-on cover plates) are connected by means of a ball change-over valve with negative overlap and single lever operation (ball, segment) or hand-wheel (butterfly).

Standard equipment:

- connections for venting and draining
- connection for a clogging indicator
- pressure equalisation line
- with bypass valve

1.2 FILTER ELEMENTS

HYDAC filter elements are validated and their quality is constantly monitored according to the following standards:

- ISO 2941
- ISO 2942
- ISO 2943
- ISO 3724
- ISO 3968
- ISO 11170
- ISO 16889

Contamination retention capacities in g Betamicon® (BN4HC)

RFLD Element	3 µm	5 µm	10 µm	20 µm
130x 1x1300 R	181.0	200.7	241.4	273.1
132x 1x2600 R	369.4	409.4	492.5	557.2
250x 3x0850 R	336.3	372.6	448.5	507.3
252x 3x1700 R	689.4	764.1	919.2	1039.8
400x 5x0850 R	560.5	621.0	747.5	845.5
402x 5x1700 R	1149.0	1273.5	1532.0	1733.0
520x 4x1300 R	724.0	802.8	965.6	1092.4
522x 4x2600 R	1477.6	1637.6	1970.0	2228.8
650x 5x1300 R	905.0	1003.5	1207.0	1365.5
652x 5x2600 R	1847.0	2047.0	2462.5	2786.0
780x 6x1300 R	1086.0	1204.2	1448.4	1638.6
782x 6x2600 R	2216.4	2456.4	2955.0	3343.2
1500x 10x1300 R	1810.0	2007.0	2414.0	2731.0
1502x 10x2600 R	3694.0	4094.0	4925.0	5572.0

Filter elements are available with the following pressure stability values:

Betamicon® (BN4HC):	20 bar
Paper (P/HC):	10 bar
Stainl. steel wire mesh (W/HC):	20 bar
Stainless steel fibre (V):	30 bar
Betamicon®/Aquamicron® (BN4AM):	10 bar
Aquamicron® (AM):	10 bar

1.3 FILTER SPECIFICATIONS

Nominal pressure	16 bar (or 10 bar: depending on size and nominal bore)
Temperature range	-10 °C to +100 °C
Material of filter housing and cover plate	Welded steel = 0
Material code (final digit of filter size)	Stainless steel 1.4571 = 3*
Type of clogging indicator	VM (differential pressure measurement up to 210 bar operating pressure)
Pressure setting of the clogging indicator	2 bar (others on request)
Bypass cracking pressure	3 bar (others on request)

1.4 SEALS

NBR (= Perbunan)

1.5 MOUNTING

As inline filter

1.6 SPECIAL MODELS AND ACCESSORIES

- Orifice in the pressure equalisation line
- Drain and vent ports with ball valves or other shut-off valves
- Counter flanges available for all sizes
- Change-over valve lockable
- Venting line with sight gauges
- Flanges to DIN 2501 with O-ring seal
- Cover plate lifting device for sizes RFLD 4000

1.7 SPARE PARTS

See Original Spare Parts List

1.8 CERTIFICATES AND APPROVALS

Material code (final digit of filter size): 0:

These filters can be supplied with manufacturer's test certificates O and M to DIN 55350, Part 18. Test certificates 3.1 to DIN EN 10204 and approval certificates (Type Approval) for different approval authorities.

Areas of application, amongst others: lubrication

Material code (final digit of filter size): 3:

Filters for use in separation technology with low viscosity, high viscosity and aggressive fluids as well as gaseous media.*

* These filters are available from HYDAC Process Technology division.

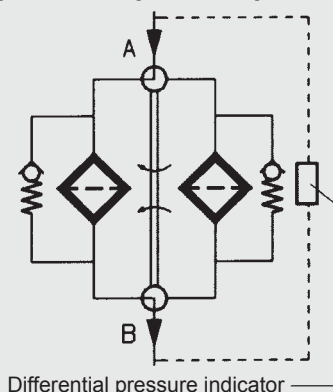
1.9 COMPATIBILITY WITH HYDRAULIC FLUIDS ISO 2943

- Hydraulic oils H to HLPD DIN 51524
- Lubrication oils DIN 51517, API, ACEA, DIN 51515, ISO 6743
- Compressor oils DIN 51506
- Biodegradable operating fluids VDMA 24568 HETG, HEES, HEPG
- Fire-resistant fluids HFA, HFB, HFC and HFD
- Operating fluids with high water content (>50% water content) and CLP-oil on request

1.10 IMPORTANT INFORMATION

- Filter housings must be earthed.
- When using electrical clogging indicators, the electrical power supply to the system must be switched off before removing the clogging indicator connector.
- Filters must be flexibly mounted and not fixed rigidly to the floor or used as a pipe support.

Symbol for hydraulic systems



Differential pressure indicator

2. MODEL CODE (also order example)

RFLD BN/HC 1300 C A K 10 D 1 . X /-L24

2.1 COMPLETE FILTER

Filter type

RFLD

Filter material of element

BN/HC Betamicon® (BN4HC) P/HC Paper AM Aquamicon®
 V Stainless steel fibre W/HC Wire mesh BN/AM Betamicon®/Aquamicon®

Size of filter or element

Welded steel: 1300, 1320, 2500, 2520, 4000, 4020, 5200, 5220, 6500, 6520, 7800, 7820, 15000, 15020
 Stainl. steel 1.4571: 1303, 1323, 2503, 2523, 4003, 4023, 5203, 5223, 6503, 6523, 7803, 7823, 15003, 15023

Operating pressure

C = 16 bar (other operating pressures on request)

Type of change-over

A Ball All nominal bores except DN 200, 250, 300
 B Segment Nominal bores DN 200, 250
 C Butterfly Nominal bores DN 150, 200, 250, 300

Type and size of port

Steel, welded (●) - for lubrication applications; 1.4571 (★) - for emulsion applications (please contact Hydac Process Technology division)

Type	Port	Filter size								
		1300 1303	1320 1323	2500 2503 2520 2523	4000 4003 4020 4023	5200 5203 5220 5223	6500 6503 6520 6523	7800 7803 7820 7823	15000 15003 15020 15023	
K	SAE DN 40	●★	●★							
L	SAE DN 50	●★	●★	●★						
M	SAE DN 65	●★	●★	●★						
S	SAE/DIN DN 80	●★	●★	●★	●★	●★	●★			
T	SAE/DIN DN 100	●★	●★	●★	●★	●★	●★	●★		
U	DIN DN 125	●★	●★	●★	●★	●★	●★	●★		
V	DIN DN 150			●★	●★	●★	●★	●★		
W	DIN DN 200				●★	●★	●★	●★	●★	
x	DIN DN 250					●★	●★	●★	●★	
Y	DIN DN 300								●★	

Other nominal bores, and ANSI flange version on request

Filtration rating in µm

BN/HC, V: 3, 5, 10, 20 P/HC: 10, 20 AM: 40
 W/HC: 25, 50, 100, 200 BN/AM: 3, 10

Type of clogging indicator

Y plastic blanking plug in indicator port
 A steel blanking plug in indicator port
 B visual
 C electrical
 D visual and electrical
 for other clogging indicators, see brochure no. 7.050../..

Type code

1

Modification number

X the latest version is always supplied

Supplementary details

B special cracking pressure (e.g. B1 = 1 bar)
 DE differential pressure measurement across element
 DH cover plate lifting device
 KB without bypass valve
 L... light with appropriate voltage (24V, 48V, 110V, 220V)
 LED 2 light emitting diodes up to 24 Volt
 OR O-ring groove on the DIN flange (inlet, outlet) to Rexroth standard AB22-04
 RE sealing strip E on the flange (inlet, outlet): surface finish 3.6 µm
 only for clogging indicators type "D"
 - ball change-over, up to 150 nominal bore
 - segment change-over nominal bores CBV, CBW, CBX
 - butterfly change-over all nominal bores

SB pressure equalisation line (SB2 = with 2mm orifice)
 V FPM seals

2.2 REPLACEMENT ELEMENT

0850 R 010 BN4HC /-V

Size

0850, 1300, 1700, 2600

Type

R

Filtration rating in µm

BN4HC, V: 003, 005, 010, 020 P/HC: 010, 020 AM: 040
 W/HC: 025, 050, 100, 200 BN4AM: 003, 010

Filter material

BN4HC, V, W/HC, P/HC, BN4AM, AM

Supplementary details

V (for descriptions, see point 2.1)

2.3 REPLACEMENT CLOGGING INDICATOR

VM 2 D . X /-L24

Type

VM differential pressure measurement up to 210 bar operating pressure

Pressure setting

2 standard 2 bar, others on request

Type of clogging indicator (see Point 2.1)

Modification number

X the latest version is always supplied

Supplementary details

L..., LED, V (for descriptions, see point 2.1)

3. FILTER CALCULATION / SIZING

The total pressure drop of a filter at a certain flow rate Q is the sum of the housing Δp and the element Δp and is calculated as follows:

$$\Delta p_{\text{total}} = \Delta p_{\text{housing}} + \Delta p_{\text{element}}$$

$$\Delta p_{\text{housing}} = (\text{see Point 3.1})$$

$$\Delta p_{\text{element}} = Q \cdot \frac{SK^*}{1000} \cdot \frac{\text{viscosity}}{30}$$

(*see point 3.2)

For ease of calculation, our Filter Sizing Program is available on request free of charge.

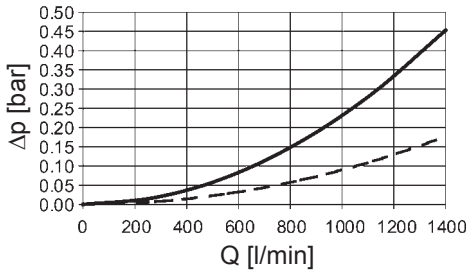
NEW: Sizing online at www.hydac.com

3.1 Δp -Q HOUSING CURVES BASED ON ISO 3968

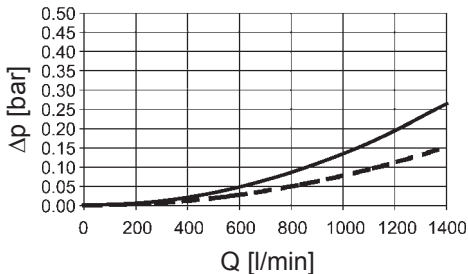
The housing curves apply to mineral oil with a density of 0.86 kg/dm³ and a kinematic viscosity of 30mm²/s. In this case, the differential pressure changes proportionally to the density.

--- without change-over valve
 — with change-over valve

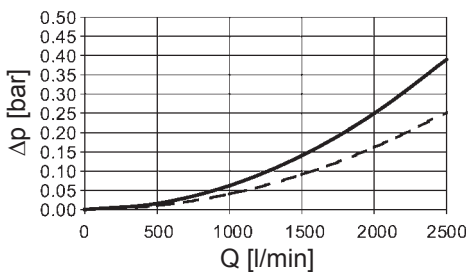
RFLD 1300, 1303



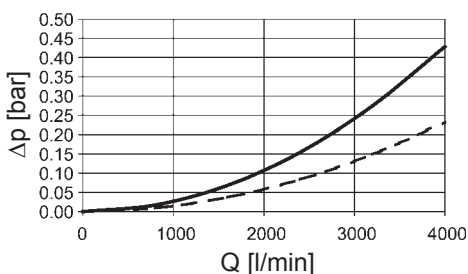
RFLD 1320, 1323



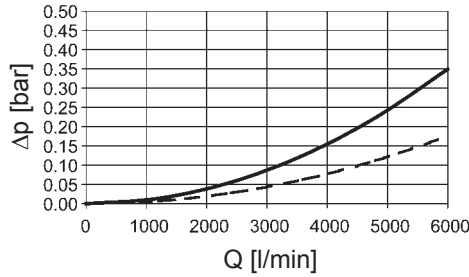
RFLD 2500, 2503, 2520, 2523



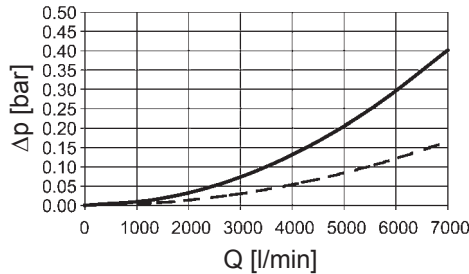
RFLD 4000, 4003, 4020, 4023



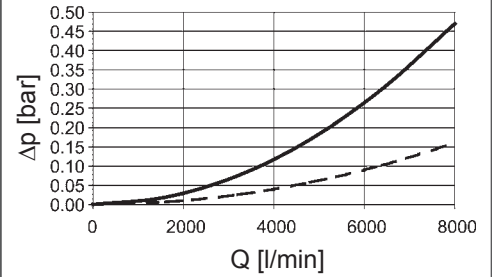
RFLD 5200, 5203, 5220, 5223



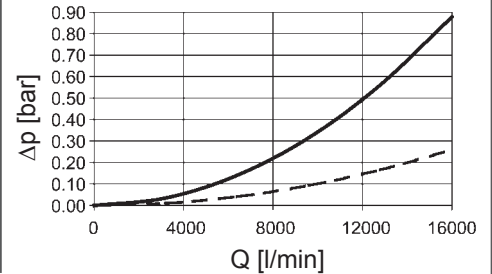
RFLD 6500, 6503, 6520, 6523



RFLD 7800, 7803, 7820, 7823



RFLD 15000, 15003, 15020, 15023

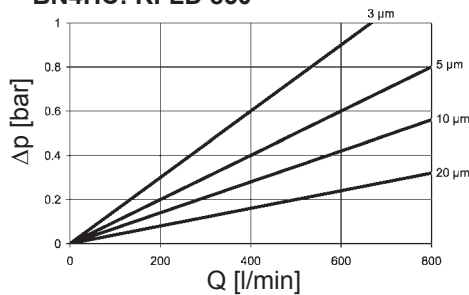


3.2 GRADIENT COEFFICIENTS (SK) FOR FILTER ELEMENTS

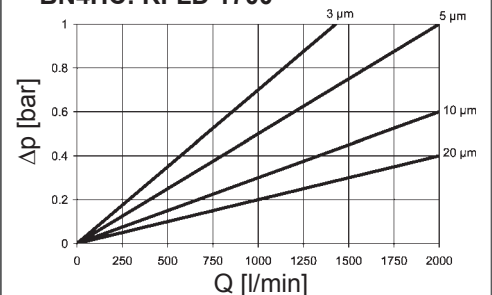
The gradient coefficients in mbar/(l/min) apply to mineral oils with a kinematic viscosity of 30 mm²/s. The pressure drop changes proportionally to the change in viscosity.

RFLD	V				W/HC
	3 μm	5 μm	10 μm	20 μm	
850	0.8	0.6	0.4	0.3	0.063
1300	0.5	0.4	0.3	0.2	0.045
1700	0.4	0.3	0.2	0.1	0.032
2600	0.3	0.2	0.1	0.1	0.018

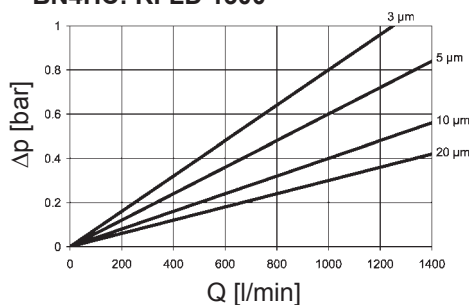
BN4HC: RFLD 850



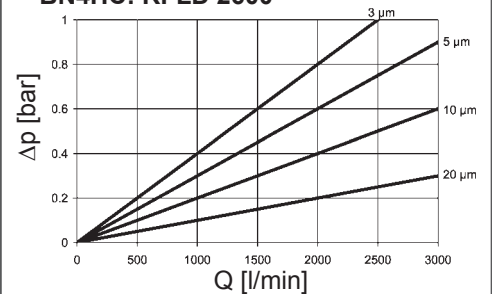
BN4HC: RFLD 1700



BN4HC: RFLD 1300



BN4HC: RFLD 2600



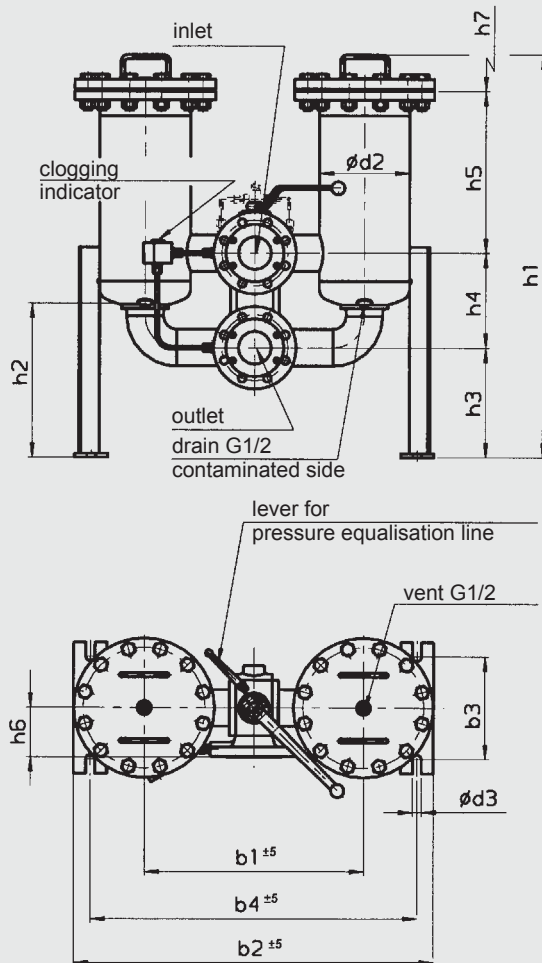
3.3 FILTER SPECIFICATIONS (TYPE OF CHANGE-OVER: A = BALL; B = SEGMENT; C = BUTTERFLY)

Filter type	Connection	Change-over	Volume of chamber [l]	Weight [kg] including change-over valve and elements		
				A (ball)	B (segment)	C (butterfly)
1300, 1303	SAE DN 40	ball	2 x 22.0	105		
	SAE DN 50	ball	2 x 22.0	110		
	SAE DN 65	ball	2 x 22.0	115		
	SAE/DIN DN 80	ball	2 x 19.0	136		
	SAE/DIN DN 100	ball	2 x 19.0	150		
1320, 1323	SAE DN 40	ball	2 x 37.0	138		
	SAE DN 50	ball	2 x 37.0	143		
	SAE DN 65	ball	2 x 37.0	148		
	SAE/DIN DN 80	ball	2 x 34.0	169		
	SAE/DIN DN 100	ball	2 x 34.0	183		
	DIN DN 125	ball	2 x 45.0	209		
2500, 2503/ 2520, 2523	SAE DN 50	ball	2 x 34.0 / 2 x 54.0	144/174		
	SAE DN 65	ball	2 x 34.0 / 2 x 54.0	149/179		
	SAE/DIN DN 80	ball	2 x 37.0 / 2 x 57.0	170/200		
	SAE/DIN DN 100	ball	2 x 39.0 / 2 x 59.0	184/214		
	DIN DN 125	ball,	2 x 40.0 / 2 x 60.0	208/238		
	DIN DN 150	ball, butterfly	2 x 45.0 / 2 x 65.0	262/292		287/327
4000, 4003/ 4020, 4023	SAE/DIN DN 80	ball	2 x 63.0 / 2 x 96.0	210/270		
	SAE/DIN DN 100	ball	2 x 63.0 / 2 x 96.0	222/283		
	DIN DN 125	ball	2 x 74.0 / 2 x 109.0	246/307		
	DIN DN 150	ball, butterfly	2 x 75.0 / 2 x 110.0	292/352		313/373
	DIN DN 200	segment, butterfly	2 x 83.0 / 2 x 118.0		262/504	393/453
5200, 5203/ 5220, 5223	SAE/DIN DN 80	ball	2 x 89.0 / 2 x 142.0	384/494		
	SAE/DIN DN 100	ball	2 x 90.0 / 2 x 143.0	398/507		
	DIN DN 125	ball	2 x 104.0 / 2 x 157.0	422/532		
	DIN DN 150	ball, butterfly	2 x 106.0 / 2 x 159.0	476/586		503/614
	DIN DN 200	segment, butterfly	2 x 110.0 / 2 x 162.0		646/756	596/706
	DIN DN 250	segment, butterfly	2 x 128.0 / 2 x 180.0		890/1000	956/1118
6500, 6503/ 6520, 6523	SAE/DIN DN 100	ball	2 x 161.0 / 2 x 246.0	628/782		
	DIN DN 125	ball	2 x 162.0 / 2 x 247.0	652/806		
	DIN DN 150	ball, butterfly	2 x 163.0 / 2 x 248.0	706/868		738/901
	DIN DN 200	segment, butterfly	2 x 190.0 / 2 x 275.0		877/1039	826/988
	DIN DN 250	segment, butterfly	2 x 194.0 / 2 x 279.0		1121/1282	956/1118
7800, 7803/ 7820, 7823	SAE/DIN DN 100	ball	2 x 161.0 / 2 x 246.0	636/798		
	DIN DN 125	ball	2 x 162.0 / 2 x 247.0	660/822		
	DIN DN 150	ball, butterfly	2 x 163.0 / 2 x 248.0	714/884		746/917
	DIN DN 200	segment, butterfly	2 x 190.0 / 2 x 275.0		885/1055	834/1004
	DIN DN 250	segment, butterfly	2 x 194.0 / 2 x 279.0		1129/1298	964/1134
15000, 15003/ 15020, 15023	DIN DN 200	segment, butterfly	2 x 391.0 / 2 x 558.0		1210/1380	1143/1250
	DIN DN 250	segment, butterfly	2 x 397.0 / 2 x 564.0		1454/1623	1271/1379
	DIN DN 300	butterfly	2 x 433.0 / 2 x 600.0			1487/1547

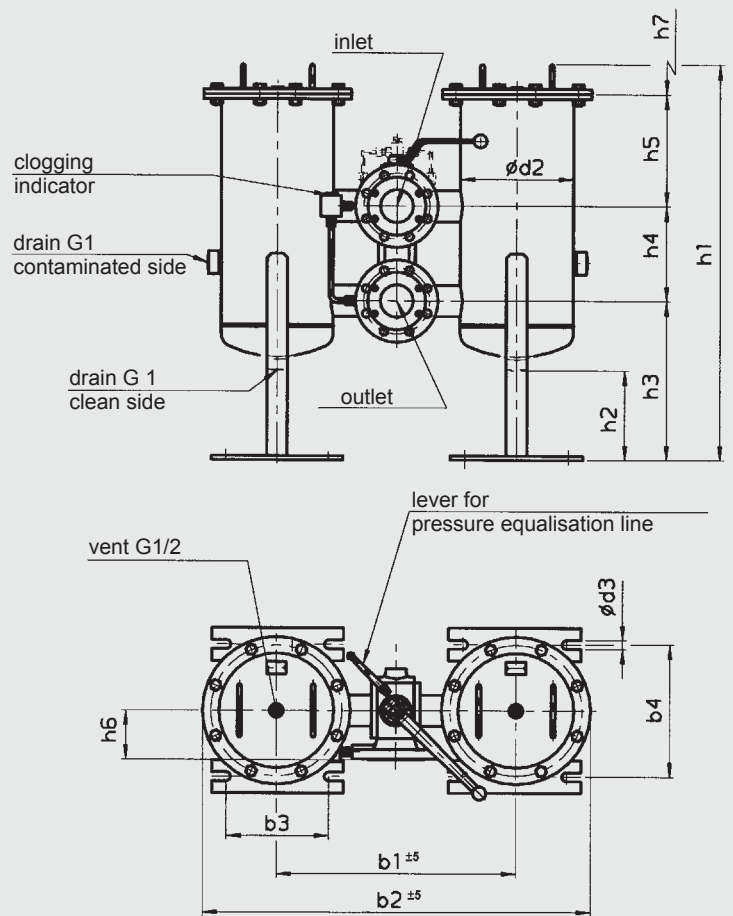
4. DIMENSIONS

4.1. WELDED FILTER SERIES - BALL VERSION RFLD 130x - 252x (CHANGE-OVER TYPE A)

RFLD 1300/1320



RFLD 2500/2520

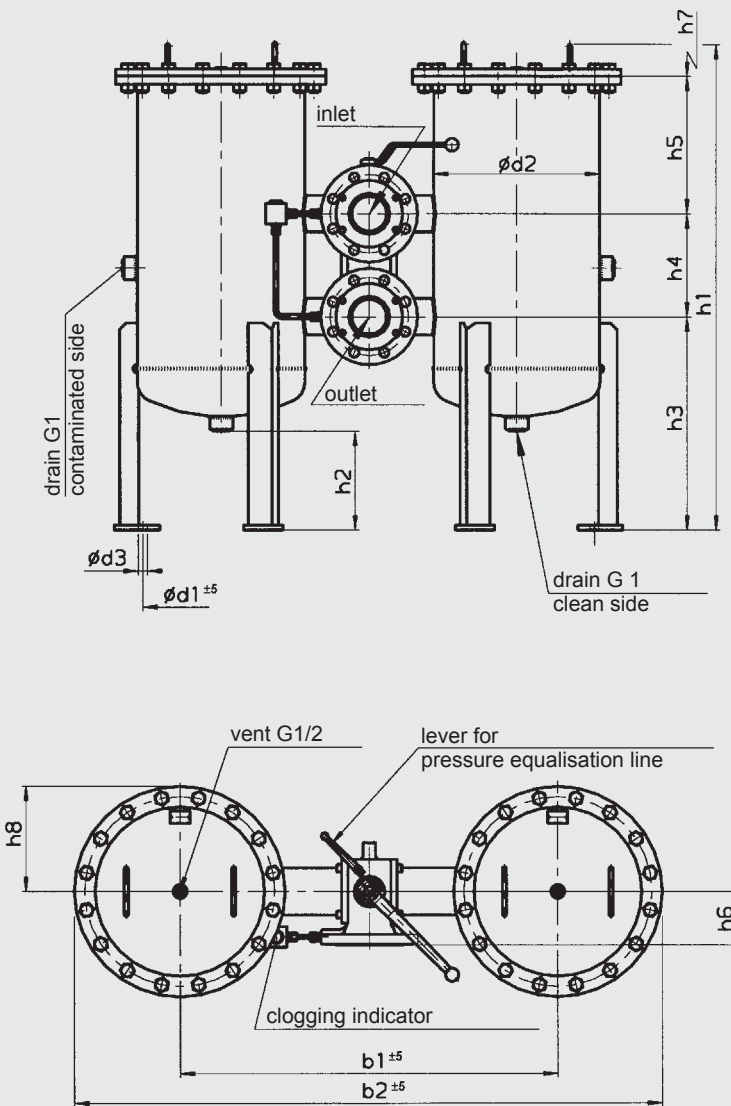


Dimensions in mm

Type	Flange connection ¹⁾	b ₁	b ₂	b ₃	b ₄	d ₂	d ₃	h ₁	h ₂	h ₃	h ₄	h ₅	h ₆	h ₇
RFLD 1300/1320	SAE DN 40	495	835	250	755	220	22	970/1410	205	335	95	460/900	92	500/940
	SAE DN 50	506	846	250	766	220	22	970/1410	210	328	110	452/892	102	500/940
	SAE DN 65	506	846	250	766	220	22	970/1410	210	328	110	452/892	167	500/940
	SAE/DIN DN 80	530	870	250	790	220	22	970/1410	370	260	230	400/840	120	500/940
	SAE/DIN DN 100	588	926	250	846	220	22	970/1410	375	266	250	374/814	130	500/940
RFLD 1320	DIN DN 125	603	943	250	863	220	22	1536	190	385	300	765	188	940
RFLD 2500/2520	SAE DN 50	548	908	250	312	273	22	940/1330	220	383	110	378/768	102	420/810
	SAE DN 65	548	908	250	312	273	22	990/1380	220	383	230	280/670	167	420/810
	SAE/DIN DN 80	572	932	250	312	273	22	990/1380	220	408	230	280/670	120	420/810
	SAE/DIN DN 100	588	948	250	312	273	22	990/1380	220	408	250	260/650	130	420/810
	DIN DN 125	589	949	250	312	273	22	1050/1440	220	438	300	240/630	188	420/810
	DIN DN 150	641	1001	250	312	273	22	1050/1440	220	438	300	240/630	190	420/810

¹⁾ Flange connection to SAE J 518 C (standard pressure range 3000 psi)
 DIN flange connection to DIN 2501/1 for PN 16 from DN 125 and PN 25/40 up to DN 100
 (sealing strip "D" or "E")

4.2. WELDED FILTER SERIES - BALL VERSION RFLD 400x - 782x (CHANGE-OVER TYPE A)

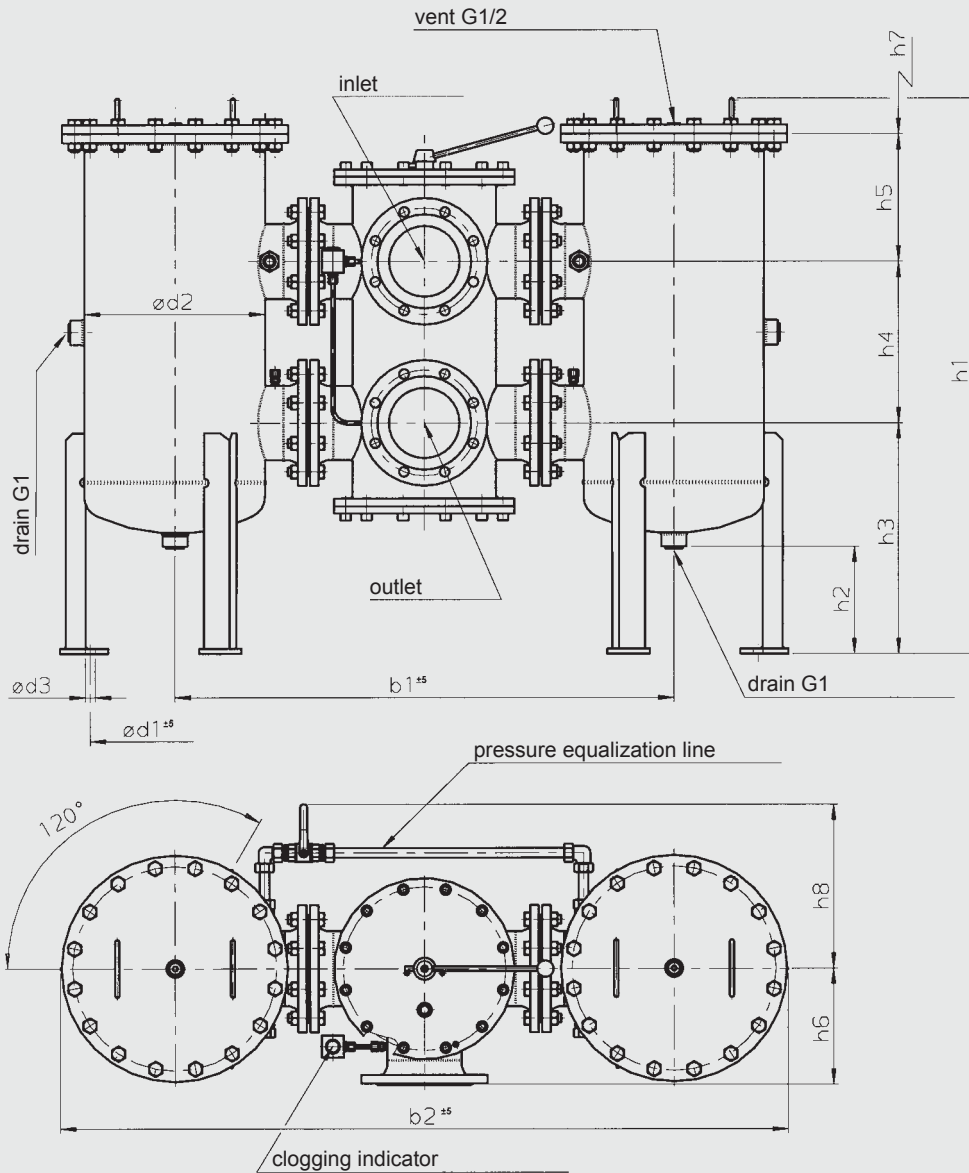


Dimensions in mm

Type	Flange connection ¹⁾	b ₁	b ₂	d ₁	d ₂	d ₃	h ₁	h ₂	h ₃	h ₄	h ₅	h ₆	h ₇	h ₈
RFLD 4000/4020	SAE/DIN DN 80	688	1152	330	356	22	1080/1470	260	475	230	295/685	120	420/810	230
	SAE/DIN DN 100	704	1164	330	356	22	1080/1470	260	475	250	275/665	130	420/810	230
	DIN DN 125	723	1183	330	356	22	1170/1560	260	525	300	265/655	188	420/810	230
	DIN DN 150	775	1240	330	356	22	1170/1560	260	525	300	265/655	190	420/810	230
RFLD 5200/5220	SAE/DIN DN 80	728	1244	380	406	22	1144/1584	250	465	230	371/811	120	500/940	255
	SAE/DIN DN 100	744	1260	380	406	22	1144/1584	250	465	250	351/791	130	500/940	255
	DIN DN 125	763	1275	380	406	22	1256/1696	250	525	300	351/791	188	500/940	255
	DIN DN 150	815	1330	380	406	22	1256/1696	250	525	300	351/791	190	500/940	255
RFLD 6500/6520	SAE/DIN DN 100	1024	1644	480	508	22	1260/1700	260	540	250	390/830	130	500/940	310
	DIN DN 125	863	1483	480	508	22	1260/1700	260	540	300	340/780	188	500/940	310
	DIN DN 150	915	1535	480	508	22	1260/1700	260	540	300	340/780	190	500/940	310
RFLD 7800/7820	SAE/DIN DN 100	1024	1644	480	508	22	1260/1700	260	540	250	390/830	130	500/940	310
	DIN DN 125	863	1483	480	508	22	1260/1700	260	540	300	340/780	188	500/940	310
	DIN DN 150	915	1535	480	508	22	1260/1700	260	540	300	340/780	190	500/940	310

¹⁾ DIN flange connection to DIN 2501/1 for PN 16 from DN 125 and PN 25/40 up to DN 100 (sealing strip "D" or "E")

4.3 WELDED FILTER SERIES - SEGMENT VERSION RFLD 400x - 1502x (CHANGE-OVER TYPE B)

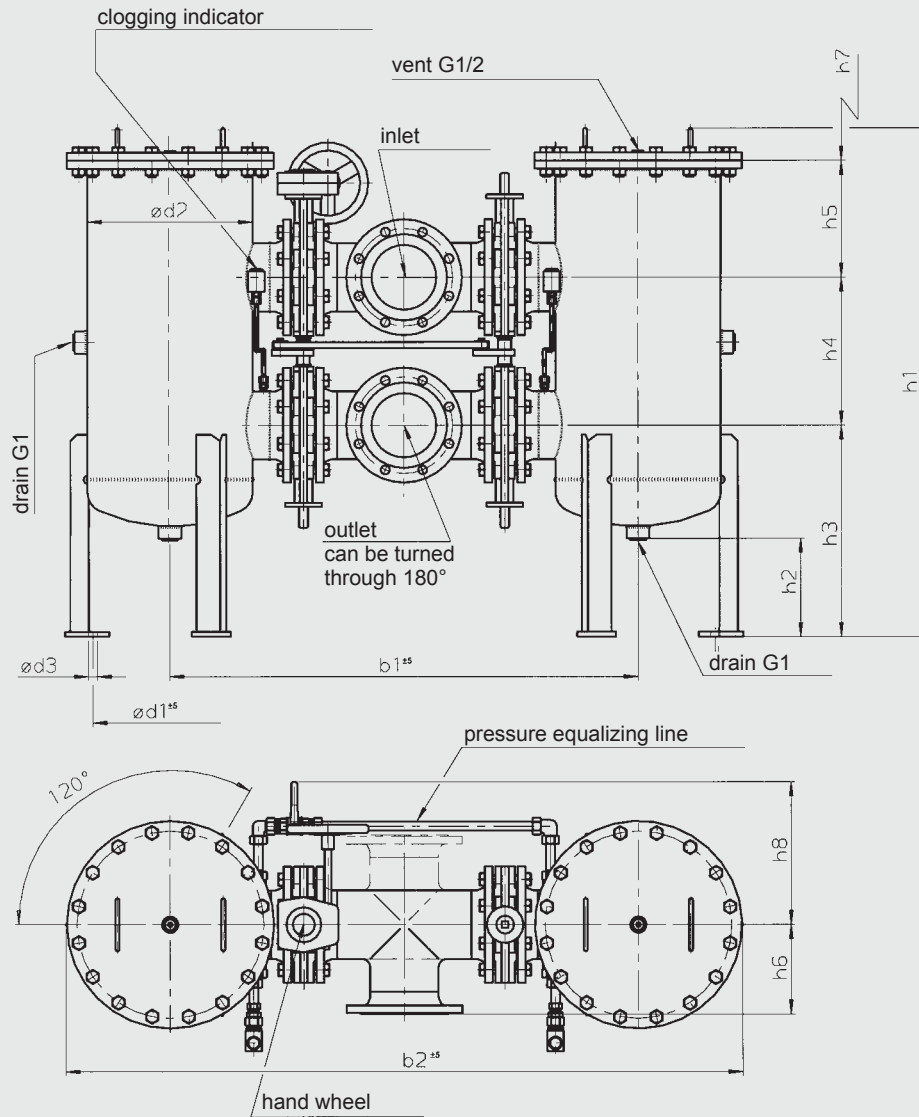


Dimensions in mm

Type	Flange connection ¹⁾	b ₁	b ₂	d ₁	d ₂	d ₃	h ₁	h ₂	h ₃	h ₄	h ₅	h ₆	h ₇	h ₈
RFLD 4000/4020	DN 200	1124	1590	330	356	22	1250/1595	260	525	365	235/625	261	420/810	370
RFLD 5200/5220	DN 200	1166	1680	380	406	22	1265/1705	250	525	365	286/726	261	500/940	370
RFLD 5200/5220	DN 250	1312	1825	380	406	22	1324/1764	250	560	450	236/676	322	500/940	400
RFLD 6500/6520	DN 200	1266	1886	480	508	22	1380/1820	260	600	365	335/775	261	500/940	370
RFLD 6500/6520	DN 250	1402	2022	480	508	22	1380/1820	260	600	450	250/690	322	500/940	400
RFLD 7800/7820	DN 200	1266	1886	480	508	22	1380/1820	260	600	365	335/775	261	500/940	370
RFLD 7800/7820	DN 250	1402	2022	480	508	22	1380/1820	260	600	450	250/690	322	500/940	400
RFLD 15000/15020	DN 200	1506	2016	690	711	22	1425/1865	263	655	365	330/770	261	500/940	415
RFLD 15000/15020	DN 250	1628	2458	690	711	22	1425/1865	263	640	450	260/700	322	500/940	415

¹⁾ DIN flange connection to DIN 2501/1 for PN 16 (sealing strip "C")

4.4 WELDED FILTER SERIES - BUTTERFLY VERSION RFLD 250x - 1502x (CHANGE-OVER TYPE C)



Dimensions in mm

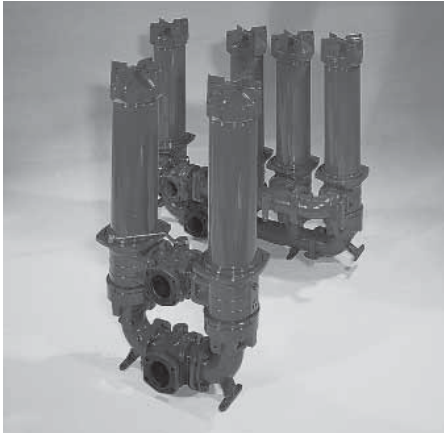
Type	Flange connection ¹⁾	b ₁	b ₂	d ₁	d ₂	d ₃	h ₁	h ₂	h ₃	h ₄	h ₅	h ₆	h ₇	h ₈
RFLD 2500/2520	DN 150	1018	1378		273	22	1108/1498	220	460	365	211/601	220	420/810	330
RFLD 4000/4020	DN 150	1152	1616	330	356	22	1170/1560	260	525	365	200/590	220	420/810	350
	DN 200	1240	1724	330	356	22	1205/1595	260	525	365	235/625	260	420/810	370
RFLD 5200/5220	DN 150	1152	1666	380	406	22	1256/1696	250	525	365	286/726	220	500/940	350
	DN 200	1280	1794	380	406	22	1256/1696	250	525	365	286/726	260	500/940	370
	DN 250	1496	2010	380	406	22	1326/1766	250	560	450	236/676	350	500/940	400
RFLD 6500/6520	DN 150	1292	1916	480	508	22	1260/1700	260	540	365	275/715	220	500/940	350
	DN 200	1380	2004	480	508	22	1380/1820	260	600	365	335/775	260	500/940	370
	DN 250	1586	2210	480	508	22	1380/1820	260	600	450	250/690	350	500/940	400
RFLD 7800/7820	DN 150	1292	1916	480	508	22	1260/1700	260	540	365	275/715	220	500/940	350
	DN 200	1380	2004	480	508	22	1380/1820	260	600	365	335/775	260	500/940	370
	DN 250	1586	2210	480	508	22	1380/1820	260	600	450	250/690	350	500/940	400
RFLD 15000/15020	DN 200	1620	2450	690	711	22	1425/1865	260	655	365	330/770	260	500/940	370
	DN 250	1816	2646	690	711	22	1425/1865	260	655	450	250/690	350	500/940	400
	DN 300	1956	2786	690	711	22	1500/1940	260	670	515	235/675	400	500/940	430

¹⁾ DIN flange connection to DIN 2501/1 for PN 16 (sealing strip "C")

NOTE

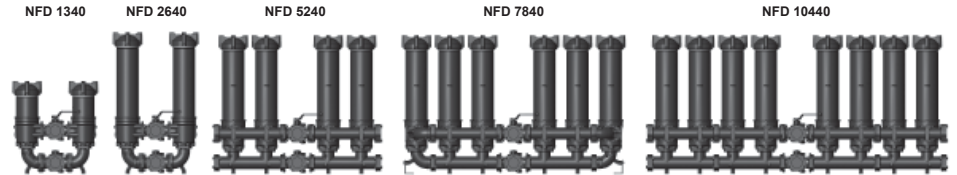
The information in this brochure relates to the operating conditions and applications described.
For applications and operating conditions not described, please contact the relevant technical department.
Subject to technical modifications.

HYDAC FILTERTECHNIK GMBH
Industriegebiet
D-66280 Sulzbach/Saar, Germany
Tel.: 0 68 97 / 509-01
Fax: 0 68 97 / 509-300
Internet: www.hydac.com
E-mail: filter@hydac.com



Change-Over Filter NFD

up to 2000 l/min, up to 25 bar



1. TECHNICAL SPECIFICATIONS

1.1 FILTER HOUSING Construction

The filter housings are designed in accordance with international regulations. They consist of a filter housing and a threaded cover plate. The housings are connected by a ball change-over valve.

Standard equipment:

- connection for a clogging indicator in filter head

1.2 FILTER ELEMENTS

HYDAC filter elements are validated and their quality is constantly monitored according to the following standards:

- ISO 2941
- ISO 2942
- ISO 2943
- ISO 3724
- ISO 3968
- ISO 11170
- ISO 16889

Contamination retention capacities in g

NFD	Elements per side	Betamicon® (BN4HC)			
		3 µm	5 µm	10 µm	20 µm
1340	1x1300 R	181.0	200.7	241.4	273.1
2640	1x2600 R	369.4	409.4	492.5	557.2
5240	2x2600 R	738.8	818.8	985.0	1114.4
7840	3x2600 R	1108.2	1228.2	1477.5	1671.6
10440	4x2600 R	1477.6	1637.6	1970.0	2228.8

Filter elements are available with the following pressure stability values:

Betamicon® (BN4HC):	20 bar
ECOMicon® (ECON2)	10 bar
Stainl. steel wire mesh (W/HC):	20 bar
Stainless steel fibre (V):	210 bar
Paper (P/HC):	10 bar
Betamicon®/Aquamicron® (BN4AM):	10 bar
Aquamicron® (AM):	10 bar

1.3 FILTER SPECIFICATIONS

Nominal pressure	25 bar
Max. operating pressure	30 bar at max. 10 ⁶ cycles
Temperature range	-10 °C to +100 °C
Material of filter head, tube and cover plate	Aluminium
Material of change-over valve, elbow and connection piece	EN-GJS-400-15
Type of clogging indicator	VM (differential pressure measurement)
Pressure setting of the clogging indicator	2 bar (others on request)
Bypass cracking pressure	3 bar (others on request)

1.4 SEALS

NBR (= Perbunan)

1.5 MOUNTING

As inline filter

1.6 SPECIAL MODELS AND ACCESSORIES

- Seals in FPM
- NFD filter as tank-top return line filter (type code 1.x) on request

1.7 SPARE PARTS

See Original Spare Parts List

1.8 CERTIFICATES AND APPROVALS

On request

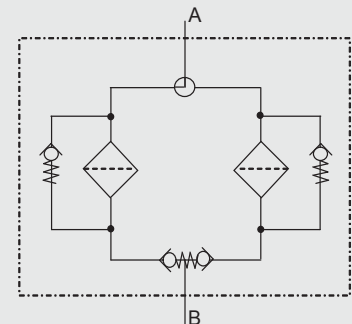
1.9 COMPATIBILITY WITH HYDRAULIC FLUIDS ISO 2943

- Hydraulic oils H to HLPD DIN 51524
- Lubrication oils DIN 51517, API, ACEA, DIN 51515, ISO 6743
- Compressor oils DIN 51506
- Biodegradable operating fluids VDMA 24568 HETG, HEES, HEPG
- Fire-resistant fluids HFA, HFB, HFC and HFD
- Operating fluids with high water content (>50% water content) on request

1.10 IMPORTANT INFORMATION

- Filter housings must be earthed.
- When using visual clogging indicators, the BM version (visual with manual reset) only should be used.
- When using electrical clogging indicators, the electrical power supply to the system must be switched off before removing the clogging indicator connector.

Symbol for hydraulic systems



2. MODEL CODE (also order example)

NFD BN/HC 2640 D A P 10 D 2 . X /-L24

2.1. COMPLETE FILTER

Filter type _____

NFD

Filter material _____

BN/HC	Betamicon® (BN4HC)	P/HC	Paper
ECO/N	ECOmicon® (ECON2)	BN/AM	Betamicon®/Aquamicron®
W/HC	Stainless steel wire mesh	AM	Aquamicron®
V	Stainless steel fibre		

Size of filter or element _____

NFD: 1340, 2640, 5240, 7840, 10440

Operating pressure _____

D = 25 bar

Type of change-over _____

A = Ball

Type and size of port _____

Type	Port	Filter size				
		1340	2640	5240	7840	10440
P	SAE DN 100	●	●	●	●	●

Further types and sizes of port on request!
For examples, see point 3.3

Filtration rating in µm _____

BN/HC, ECO/N, V:	3, 5, 10, 20	P/HC:	10, 20	AM:	40
W/HC:	25, 50, 100, 200	BN/AM:	3, 10		

Type of clogging indicator _____

Y	plastic blanking plug in indicator port] for other clogging indicators see brochure no. 7.050../..
A	steel blanking plug in indicator port	
BM	visual	
C	electrical	
D	visual and electrical	

Type code (TKZ) _____

2

Modification number _____

X the latest version is always supplied

Supplementary details _____

B.	special cracking pressure of bypass (e. g.: B6 = 6 bar)] only for clogging indicators type "D"
EM	manual vent with shut-off valve	
EP	permanent vent via Minimess hose	
KB	without bypass valve	
L...	light with appropriate voltage (24, 48, 110, 220 Volt)	
LED	2 light emitting diodes up to 24 Volt	
SB4	filling line with Ø4 mm orifice	
V	FPM seals	
VKD	drain fitted with ball shut-off valve	
39	connection alternative (see point 2.4)	

2.2 REPLACEMENT ELEMENT

2600 R 010 BN4HC /-V

Size _____

1300, 2600

Type _____

Filtration rating in µm _____

BN4HC, ECON2, V:	003, 005, 010, 020	P/HC:	010, 020	AM:	040
W/HC:	025, 050, 100, 200	BN4AM:	003, 010		

Filter material _____

BN4HC, ECON2, V, W/HC, P/HC, BN4AM, AM

Supplementary details _____

V (for descriptions, see point 2.1)

2.3 REPLACEMENT CLOGGING INDICATOR

VM 2 D . X /-L24

Type _____

VM differential pressure measurement up to 210 bar operating pressure

Pressure setting _____

2 standard 2 bar, others on request

Type of clogging indicator (see point 2.1) _____

Modification number _____

X the latest version is always supplied

Supplementary details _____

L..., LED, V (for descriptions, see point 2.1)

2.4 CONNECTION ALTERNATIVES

(also order example)

Supplementary detail .. / - 0 3

1st digit = position of inlet valve

2nd digit = position of outlet valve

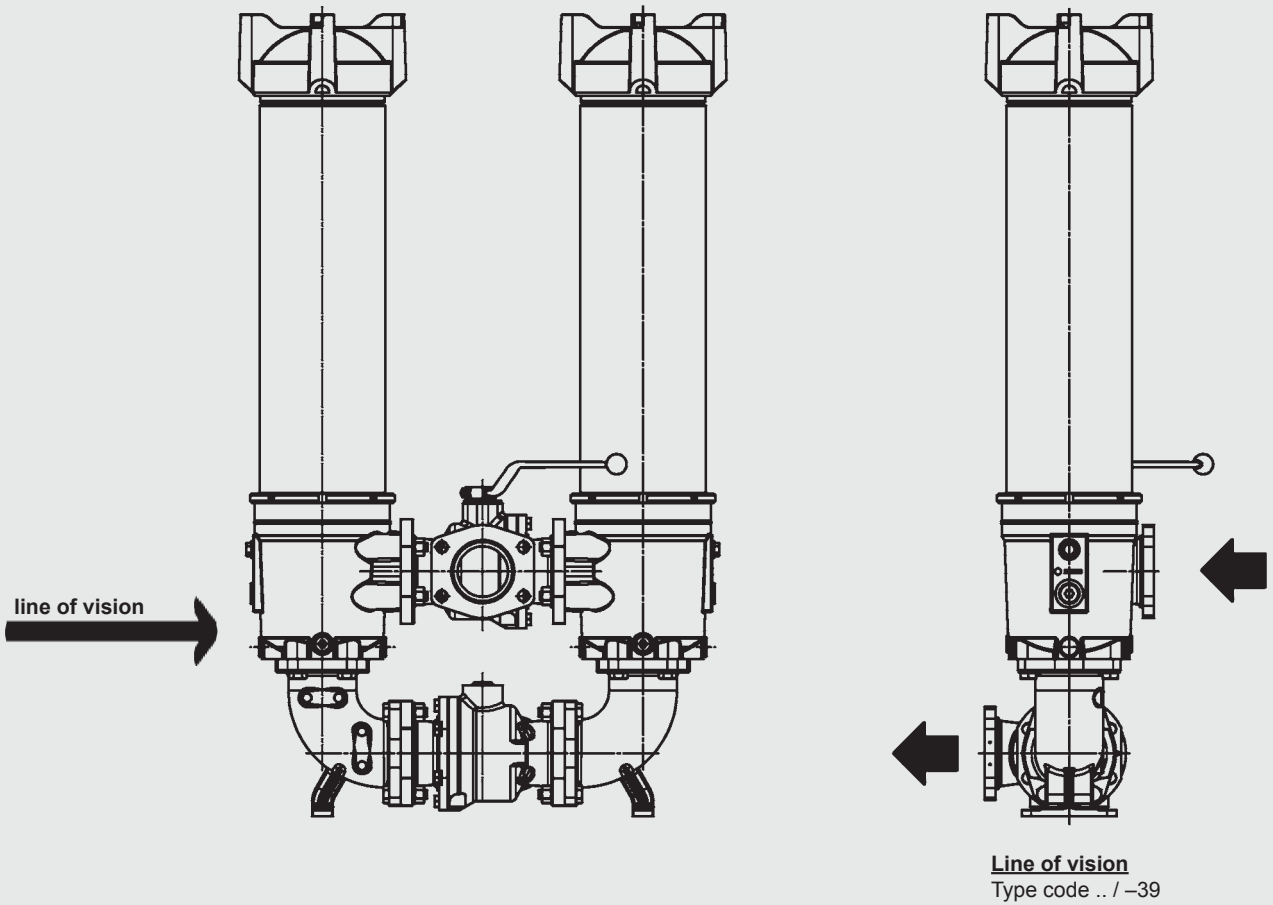
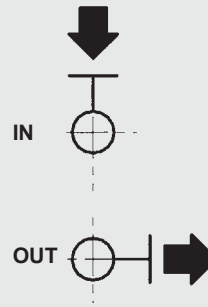
33
Series

Standard model

Not given as a supplementary detail in the model code

~~63~~

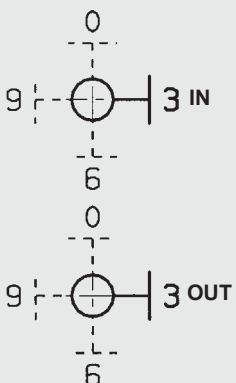
Not available!



Line of vision
Type code .. / -39

NFD 2640 .. A 2.0 / -XX

(possible supplementary detail)

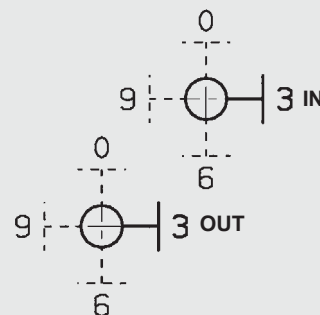


00	03	06	09 ¹⁾
30	33 Series	36	39
60	63	66	69
90	93 ²⁾	96	99 ³⁾

- 1) corresponds to type 03
- 2) corresponds to type 39
- 3) corresponds to type 33

NFD 5240 .. A 2.0 / -XX

(possible supplementary detail)



00	03	06	09
30	33 Series	36	39
60	63	66	69
90	93	96	99

3. FILTER CALCULATION / SIZING

The total pressure drop of a filter at a certain flow rate Q is the sum of the housing Δp and the element Δp and is calculated as follows:

$$\Delta p_{\text{total}} = \Delta p_{\text{housing}} + \Delta p_{\text{element}}$$

$\Delta p_{\text{housing}}$ = given in diagrams (see point 3.1)

$$\Delta p_{\text{element}} = Q \cdot SK^*/1000 \cdot \text{viscosity}/30$$

(*see point 3.2)

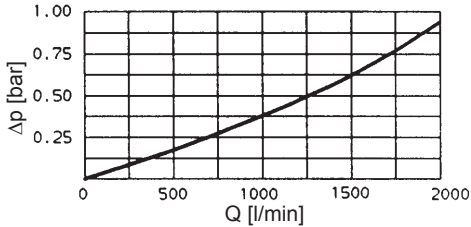
For ease of calculation, our Filter Sizing Program is available on request free of charge.

NEW: Sizing online at www.hydac.com

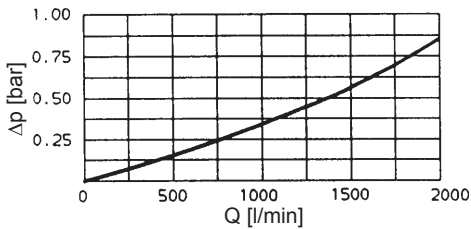
3.1 Δp -Q HOUSING CURVES BASED ON ISO 3968

The housing curves apply to mineral oil with a density of 0.86 kg/dm³ and a kinematic viscosity of 30mm²/s. In this case, the differential pressure changes proportionally to the density.

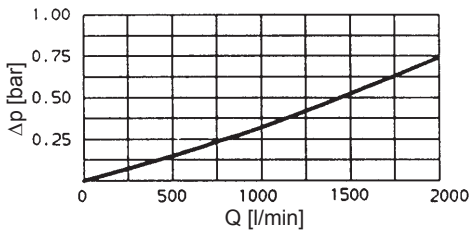
NFD 1340 / 2640



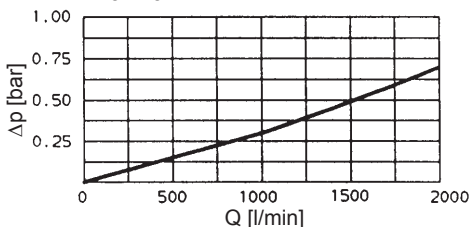
NFD 5240



NFD 7840



NFD 10440

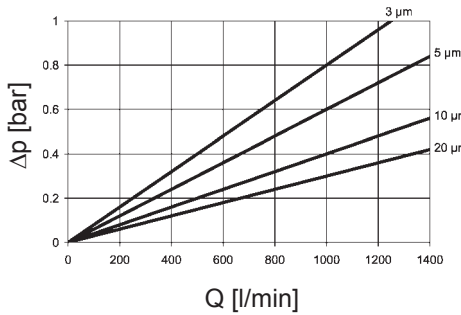


3.2 GRADIENT COEFFICIENTS (SK) FOR FILTER ELEMENTS

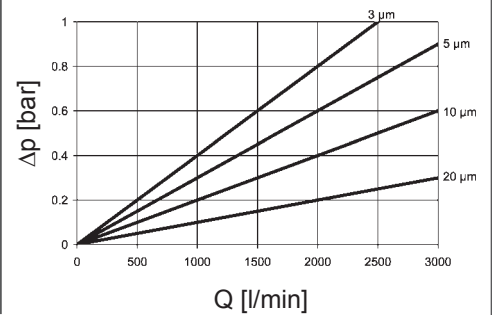
The gradient coefficients in mbar/(l/min) apply to mineral oils with a kinematic viscosity of 30 mm²/s. The pressure drop changes proportionally to the change in viscosity.

NFD	V				W/HC	ECON2			
	3 μm	5 μm	10 μm	20 μm		3 μm	5 μm	10 μm	20 μm
1300	0.5	0.4	0.3	0.2	0.045	0.8	0.6	0.4	0.3
2600	0.3	0.2	0.1	0.1	0.018	0.4	0.3	0.2	0.1

BN4HC: 1300 R...

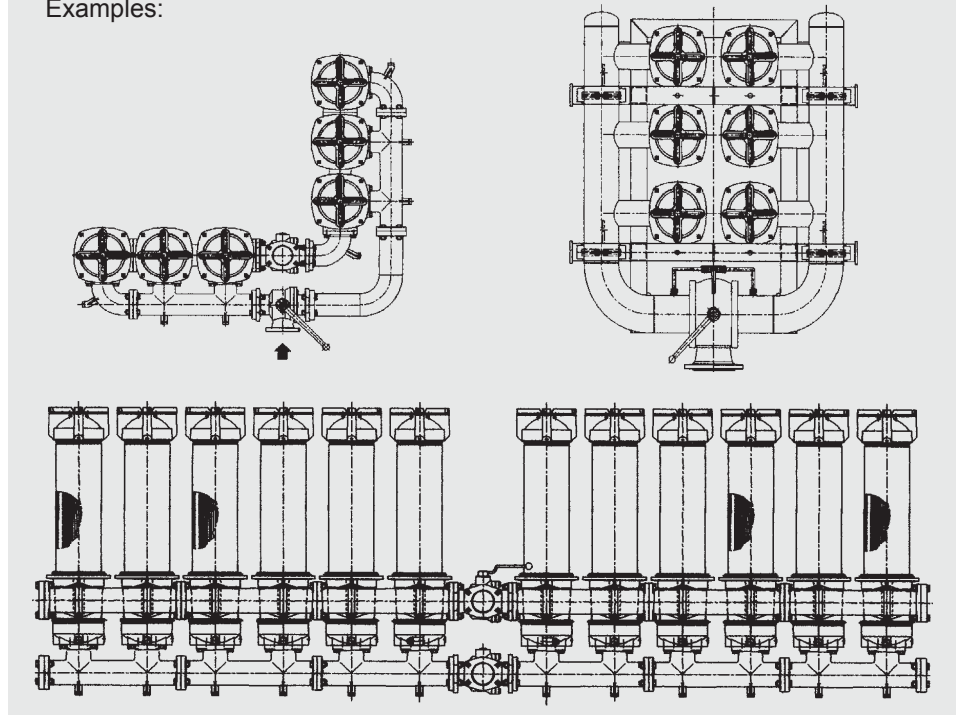


BN4HC: 2600 R...



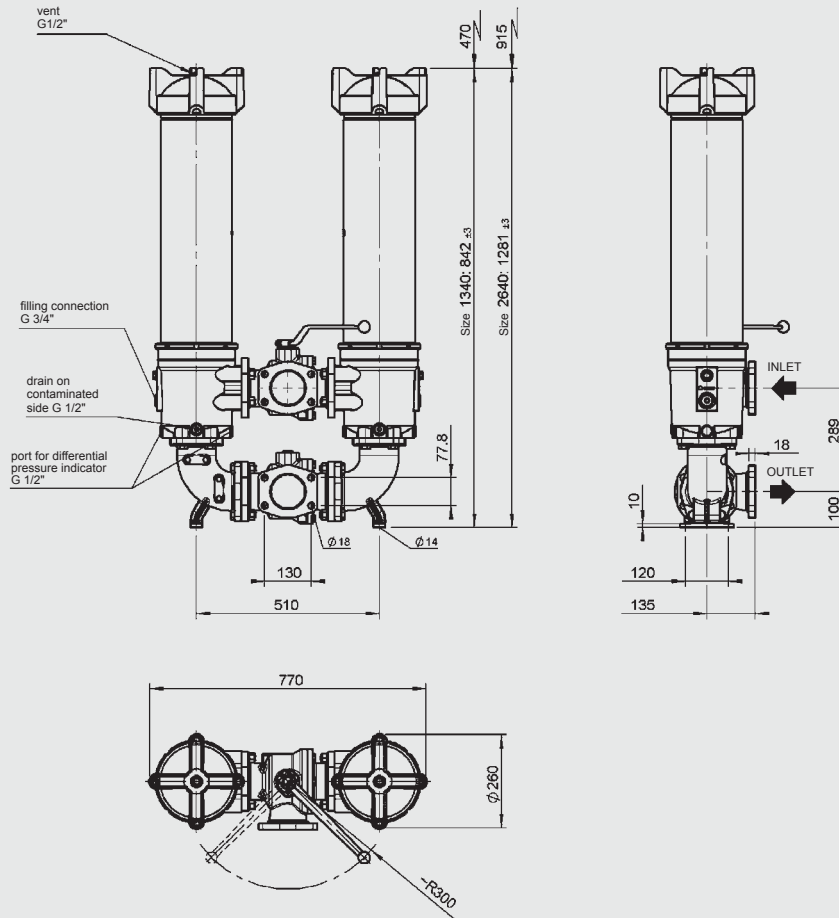
3.3. OTHER CONNECTION SIZES AND TYPES ON REQUEST!

Examples:



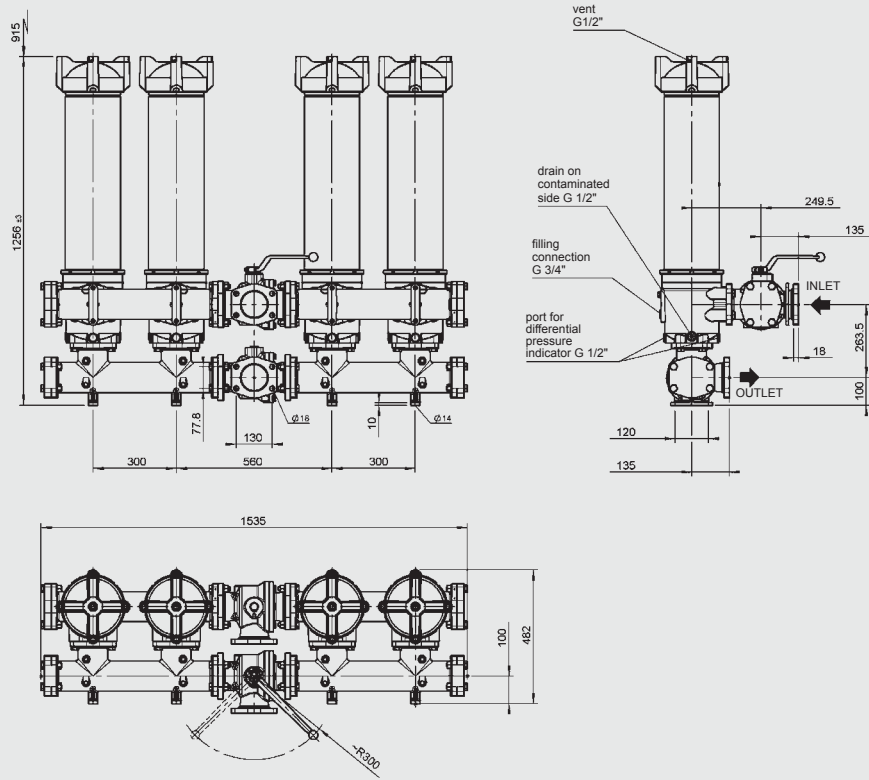
4. DIMENSIONS

NFD 1340/2640

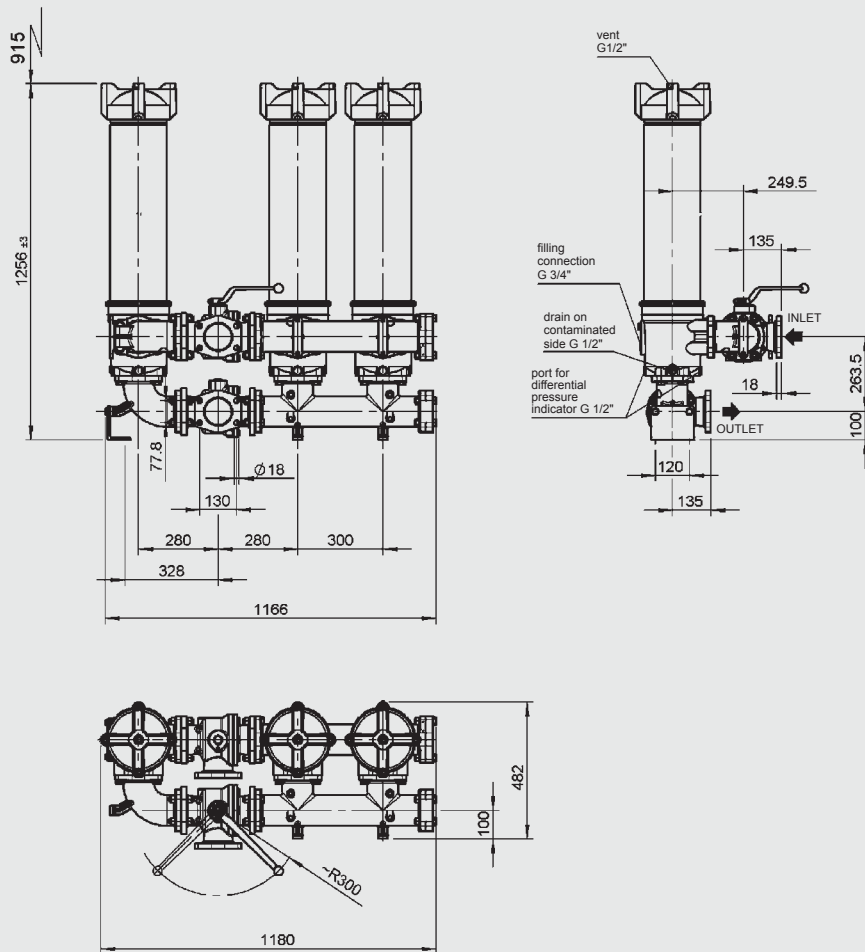


NFD	No. of elements per side	Weight incl. element [kg]	Vol. of pressure chamber [l]
1340...2.X	1x 1300 R...	122.7	35.8
2640...2.X	1x 2600 R...	140.0	58.1

NFD 5240

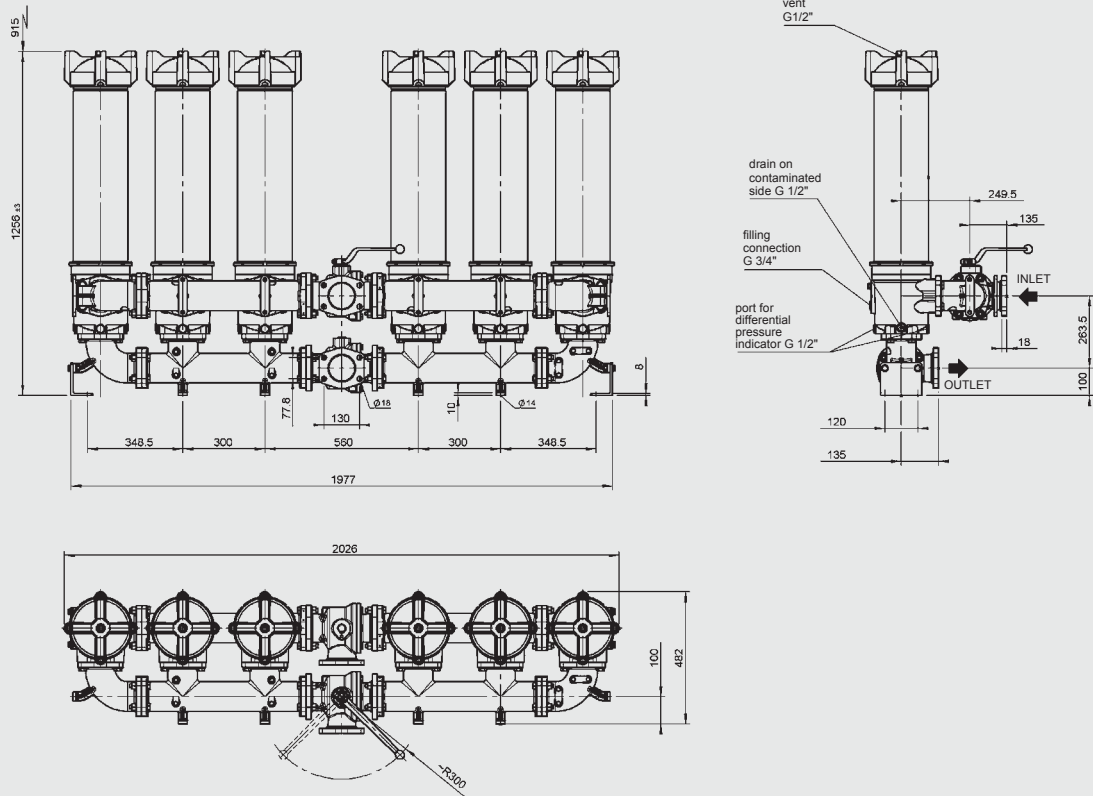


NFD 5240...2.X /-1+2

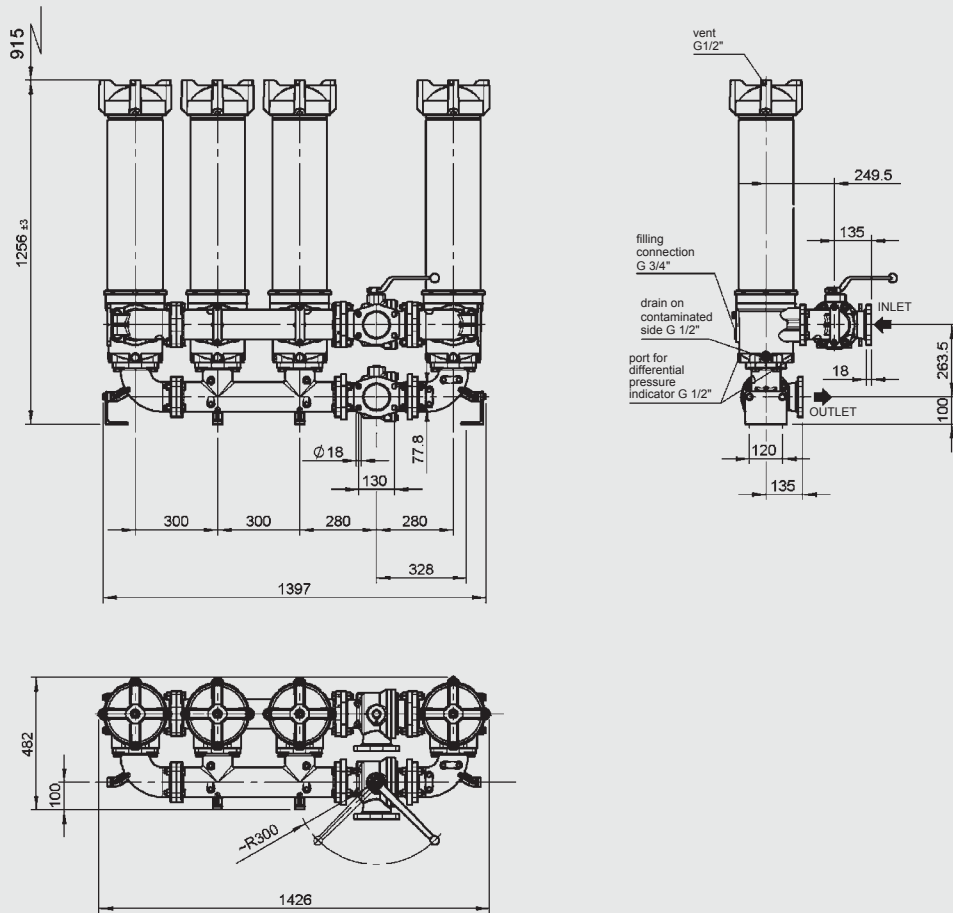


NFD	No. of elements per side	Weight incl. element [kg]	Vol. of pressure chamber [l]
5240...2.X	2x 2600 R...	276.8	126.4
5240../-1+2...2.X	1x 2600 R... and 2x 2600 R...	217.4	94.3

NFD 7840

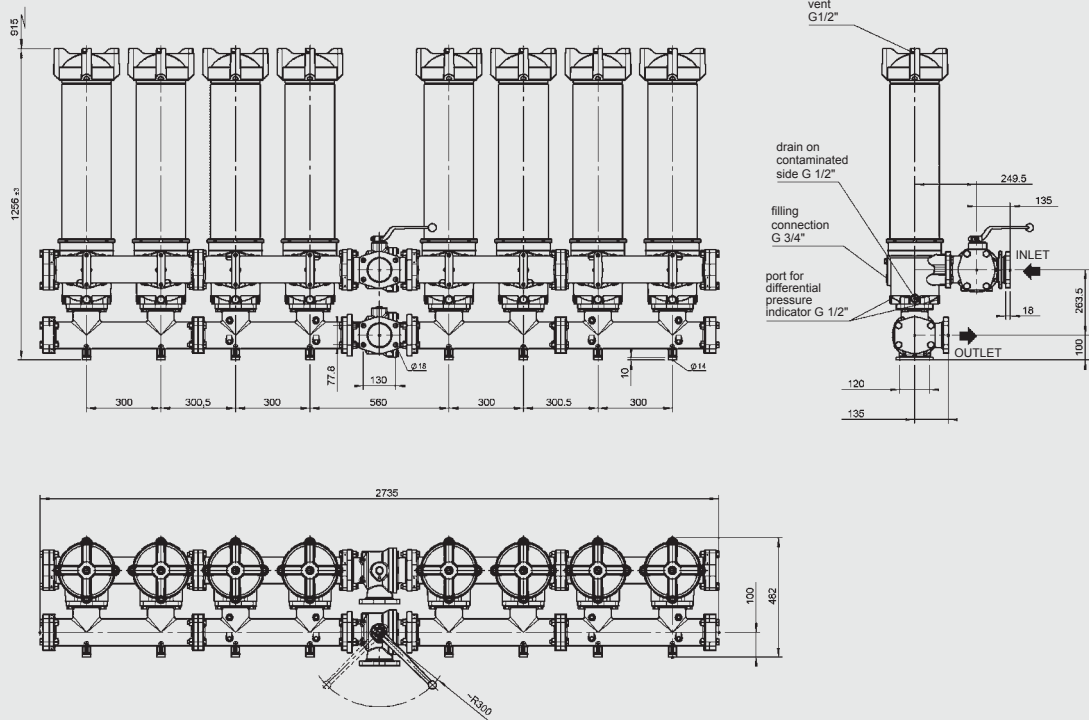


NFD 7840...2.X /-3+1

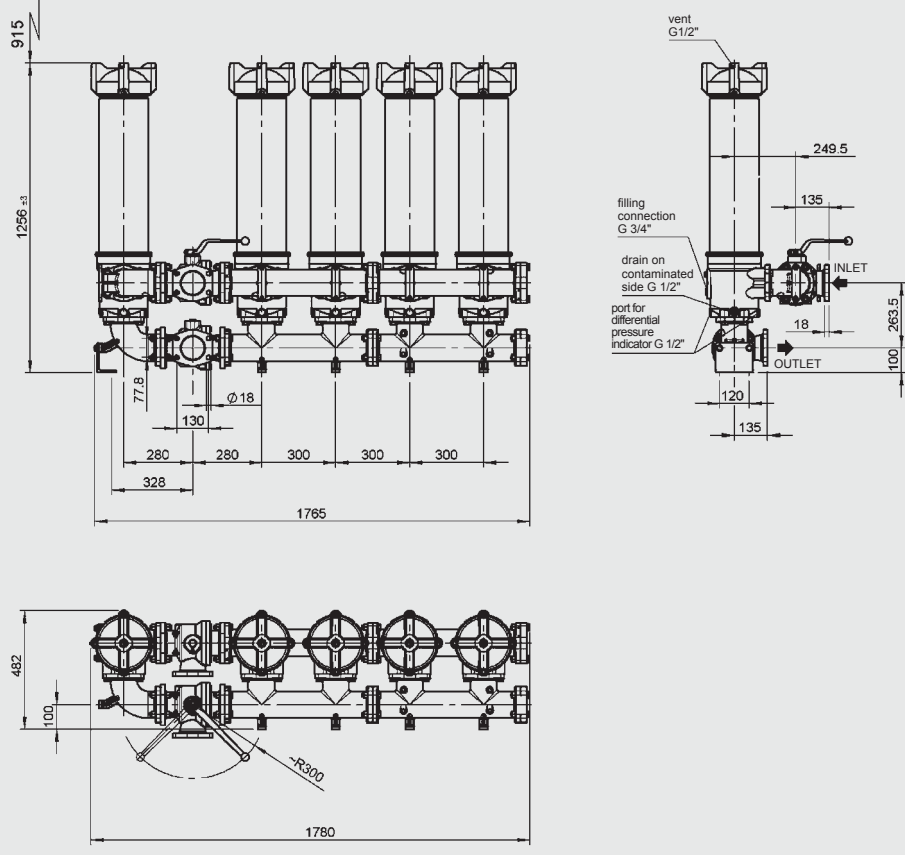


NFD	No. of elements per side	Weight incl. element [kg]	Vol. of pressure chamber [l]
7840	3x 2600 R...	391.6	182.8
7840../-3+1	3x 2600 R... and 1x 2600 R...	286.6	122.2

NFD 10440



NFD 10440...2.X /-1+4



NFD	No. of elements per side	Weight incl. element [kg]	Vol. of pressure chamber [l]
10440	4x 2600 R...	510.4	251.0
10440.../-1+4	1x 2600 R... and 4x 2600 R...	328.3	154.0

NOTE

The information in this brochure relates to the operating conditions and applications described. For applications or operating conditions not described, please contact the relevant technical department. Subject to technical modifications.

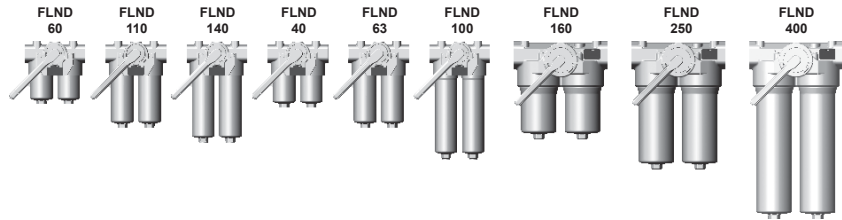
HYDAC FILTERTECHNIK GMBH
 Industriegebiet
D-66280 Sulzbach/Saar, Germany
 Tel.: 0 68 97 / 509-01
 Fax: 0 68 97 / 509-300
 Internet: www.hydac.com
 E-mail: filter@hydac.com



Change-Over Inline Filter FLND

to DIN 24550*, up to 400 l/min, up to 63 bar

*Filters and filter elements also available in HYDAC dimensions



1. TECHNICAL SPECIFICATIONS

1.1 FILTER HOUSING

Construction

The filter housings are designed in accordance with international regulations. They consist of a filter head with built-in change-over valve and screw-in filter bowls.

Standard equipment:

- without bypass valve
- connection for a clogging indicator
- oil drain plug (FLND 160 to 400)

1.2 FILTER ELEMENTS

HYDAC filter elements are validated and their quality is constantly monitored according to the following standards:

- ISO 2941, ISO 2942, ISO 2943, ISO 3724, ISO 3968, ISO 11170, ISO 16889

Contamination retention capacities in g

Betamicon® (BN4HC)				
FLND	3 µm	5 µm	10 µm	20 µm
60	6.5	7.3	7.8	8.0
110	13.8	15.5	16.4	16.9
140	18.1	20.3	21.5	22.2
Betamicon® (BN4HC)				
FLND	3 µm	6 µm	10 µm	25 µm
40	5.2	5.6	6.3	7.0
63	9.2	9.9	11.1	12.8
100	15.4	16.5	18.6	20.6
160	27.5	29.3	33.1	36.7
250	46.0	49.0	55.2	61.3
400	76.2	81.3	91.4	101.5
Betamicon® (BH4HC)				
FLND	3 µm	5 µm	10 µm	20 µm
60	4.6	4.5	5.0	5.7
110	10.1	9.9	10.9	12.4
140	13.3	13.0	14.3	16.3
Betamicon® (BH4HC)				
FLND	3 µm	6 µm	10 µm	25 µm
40	4.1	4.4	5.2	6.2
63	7.3	7.9	9.2	11.2
100	12.2	13.2	15.5	18.9
160	21.8	23.9	27.8	33.8
250	38.1	41.7	48.6	59.0
400	63.6	69.5	81.0	98.3

Filter elements are available with the following pressure stability values:
 Betamicon® (BN4HC): 20 bar
 Betamicon® (BH4HC): 210 bar
 Wire mesh (W/HC, W*): 20 bar

* only for FLND 40 - 140

1.3 FILTER SPECIFICATIONS

Nominal pressure	25 bar (FLND 160 to 400) 63 bar (FLND 40 to 140)
Fatigue strength	At nominal pressure 10 ⁶ cycles from 0 to nominal pressure
Temperature range	-10 °C to +100 °C
Material of filter head	Aluminium
Material of filter bowl	Aluminium (FLND 100 and 140: Steel)
Type of clogging indicator	VM (differential pressure measurement up to 210 bar operating pressure)
Pressure setting of the clogging indicator	2.5 bar or 5 bar (others on request)
Bypass cracking pressure (optional)	3.5 bar or 7 bar (others on request)

1.4 SEALS

NBR (= Perbunan)

1.5 INSTALLATION

As inline filter

1.6 SPECIAL MODELS AND ACCESSORIES

- With bypass valve
- With oil drain plug for FLND 40 to 140 (SO184)
- Seals in FPM, EPDM
- Reverse flow (RL)

1.7 SPARE PARTS

See Original Spare Parts List

1.8 CERTIFICATES AND APPROVALS

On request

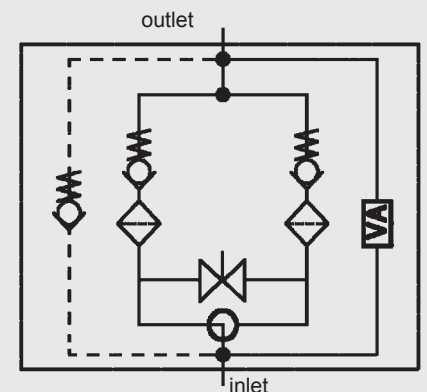
1.9 COMPATIBILITY WITH HYDRAULIC FLUIDS ISO 2943

- Hydraulic oils H to HLPD DIN 51524
- Lubrication oils DIN 51517, API, ACEA, DIN 51515, ISO 6743
- Compressor oils DIN 51506
- Biodegradable operating fluids VDMA 24568 HETG, HEES, HEPG
- Fire-resistant fluids HFA, HFB, HFC and HFD
- Operating fluids with high water content (>50% water content) on request

1.10 IMPORTANT INFORMATION

- Filter housings must be earthed.
- When using electrical clogging indicators, the electrical power supply to the system must be switched off before removing the clogging indicator connector.

Symbol for hydraulic systems



VA = clogging indicator

2. MODEL CODE (also order example)

FLND BN/HC 250 D D F 10 D 1 . X /-L24

2.1 COMPLETE FILTER

Filter type _____

FLND

Filter material of element _____

BN/HC Betamicon® (BN4HC)

BH/HC

Betamicon® (BH4HC)

W/HC, W* Wire mesh

Size of filter or element _____

FLND: 40, 60, 63, 100, 110, 140, 160, 250, 400

Operating pressure _____

D = 25 bar (FLND 160 to 400)

F = 63 bar (FLND 40 to 140)

Type of change-over _____

D single switching valve and check valve

Type and size of port _____

to DIN 24550 (●), possible ports (X)

Type	Port	Filter size ... not to DIN 24550			... to DIN 24550					
		60	110	140	40	63	100	160	250	400
B	G 1/2	X	X	X	●	X	X			
C	G 3/4	X	X	X	X	●	X			
D	G 1	X	X	X	X	X	●			
E	G 1 1/4							●	X	X
F	G 1 1/2							X	●	X
I	DN 25**	X	X	X	X	X	X			
K	DN 38**							X	X	●

** Flange SAE, 3000 PSI

Filtration rating in µm _____

BN/HC, BH/HC: 3, 5, 10, 20

BN/HC, BH/HC to DIN 24550: 3, 6, 10, 25

W/HC, W*: 25, 50, 100, 200

Type of clogging indicator _____

Y plastic blanking plug in indicator port

A steel blanking plug in indicator port

B visual

C electrical

D visual and electrical

LZ visual-mechanical / electrical

for other clogging indicators, see brochure no. 7.050../..

Type code _____

1

Modification number _____

X the latest version is always supplied

Supplementary details _____

B. bypass cracking pressure (e.g. B3.5 = 3.5 bar; B7 = 7 bar); without details = without bypass valve

L... light with appropriate voltage (24V, 48V, 110V, 220V)

only for clogging

LED 2 light emitting diodes up to 24 Volt

indicators type D

AV LZ indicator with plug to AUDI and VW specification

BO LZ indicator with plug and pin connection to BMW and Opel specification (M12x1)

CN LZ indicator with plug to DIN 43651 with 3 LEDs (CNOMO specification)

DB LZ indicator with plug to DIN 43651 with 3 LEDs (Daimler-Benz specification)

D4C LZ with plug and connector to Daimler-Chrysler specification and cold start suppression 30°C

BO-LED as for BO, but with progressive diode strip

RL reverse flow direction

SO184 oil drain plug (FLND 40 to 140)

V FPM seals

W suitable for HFA and HFC emulsions

2.2 REPLACEMENT ELEMENT

0250 DN 010 BN4HC /-V

Size _____

0040, 0060, 0063, 0100, 0110, 0140, 0160, 0250, 0400

Type _____

D 0060, 0110, 0140

DN to DIN 24550: 0040, 0063, 0100, 0160, 0250, 0400

Filtration rating in µm _____

BN4HC, BH4HC: 003, 005, 010, 020

BN4HC, BH4HC to DIN 24550: 003, 006, 010, 025

W/HC, W*: 025, 050, 100, 200

Filter material _____

BN4HC, BH4HC, W/HC, W*

Supplementary details _____

V, W (for descriptions, see point 2.1)

2.3 REPLACEMENT CLOGGING INDICATOR

VM 5 D . X /-L24

Type _____

VM differential pressure measurement up to 210 bar operating pressure

Pressure setting _____

5 standard 5 bar, others on request

Type of clogging indicator (see point 2.1) _____

Modification number _____

X the latest version is always supplied

Supplementary details _____

L..., LED, V, W, AV, BO, CN, DB, D4C, BO-LED (for descriptions see Point 2.1)

* only for FLND 40 - 140

3. FILTER CALCULATION / SIZING

The total pressure drop of a filter at a certain flow rate Q is the sum of the housing Δp and the element Δp and is calculated as follows:

$$\Delta p_{\text{total}} = \Delta p_{\text{housing}} + \Delta p_{\text{element}}$$

$$\Delta p_{\text{housing}} = (\text{see Point 3.1})$$

$$\Delta p_{\text{element}} = Q \cdot \frac{SK^*}{1000} \cdot \frac{\text{viscosity}}{30}$$

(*see Point 3.2)

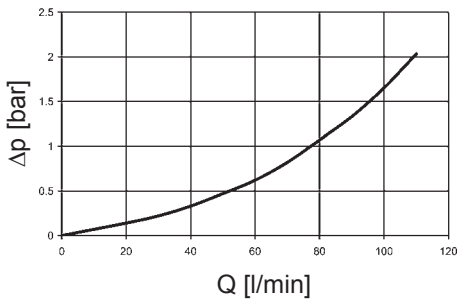
For ease of calculation, our Filter Sizing Program is available on request free of charge.

NEW: Sizing online at www.hydac.com

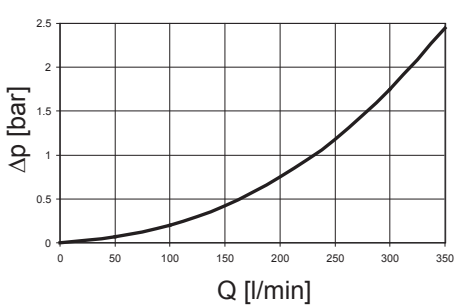
3.1 Δp -Q HOUSING CURVES BASED ON ISO 3968

The housing curves apply to mineral oil with a density of 0.86 kg/dm³ and a kinematic viscosity of 30 mm²/s. In this case, the differential pressure changes proportionally to the density.

FLND 40, 60, 63, 100, 110, 140



FLND 160, 250, 400

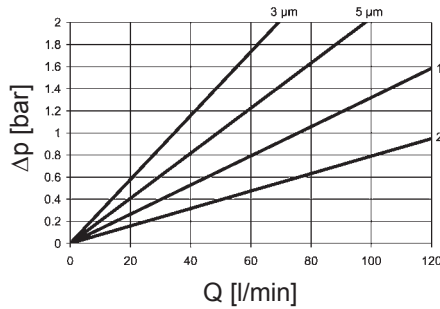


3.2 GRADIENT COEFFICIENTS (SK) FOR FILTER ELEMENTS

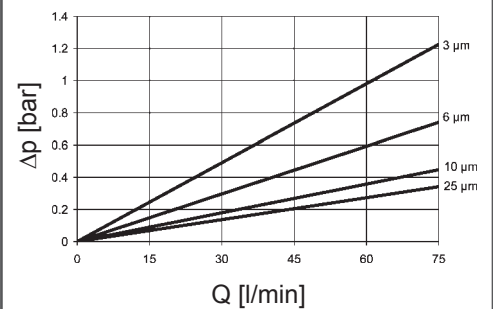
The gradient coefficients in mbar/(l/min) apply to mineral oils with a kinematic viscosity of 30 mm²/s. The pressure drop changes proportionally to the change in viscosity.

FLND	... D ... BH4HC				W/HC - W	... DN ... BH4HC			
	3 μm	5 μm	10 μm	20 μm		3 μm	6 μm	10 μm	25 μm
60	58.6	32.6	18.1	12.2	0.757	-	-	-	-
110	25.4	14.9	8.9	5.6	0.413	-	-	-	-
140	19.9	11.3	8.1	4.3	0.324	-	-	-	-
40	-	-	-	-	0.966	40.4	24.8	16.4	10.9
63	-	-	-	-	0.54	29.0	18.2	11.7	7.6
100	-	-	-	-	0.325	19.0	11.7	7.7	5.3
160	-	-	-	-	0.168	8.0	5.1	3.8	2.5
250	-	-	-	-	0.101	5.4	3.4	2.8	1.9
400	-	-	-	-	0.068	3.4	2.1	1.7	1.1

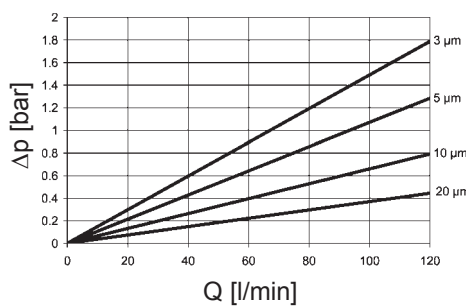
BN4HC: FLND 60



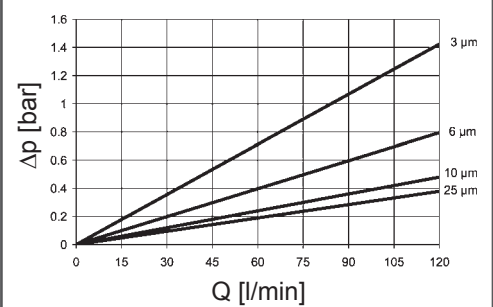
BN4HC: FLND 63



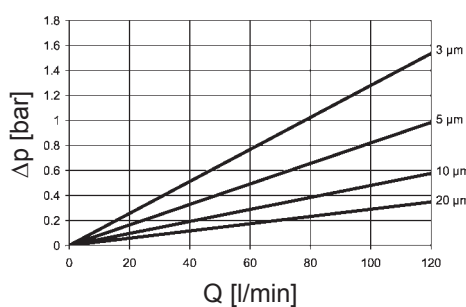
BN4HC: FLND 110



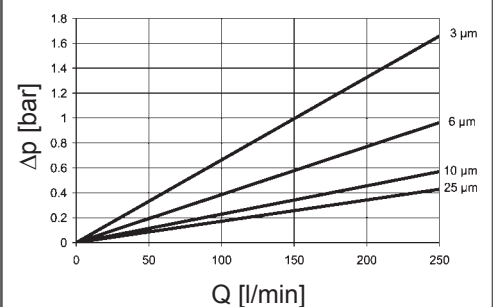
BN4HC: FLND 100



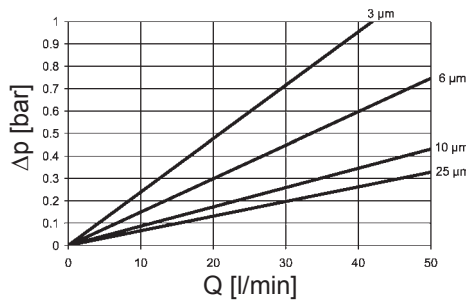
BN4HC: FLND 140



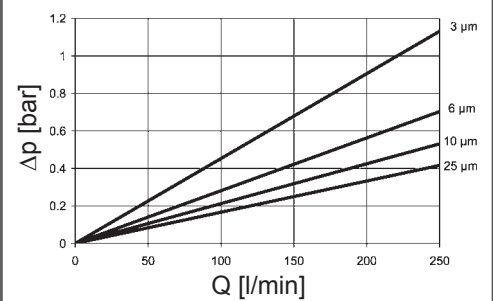
BN4HC: FLND 160



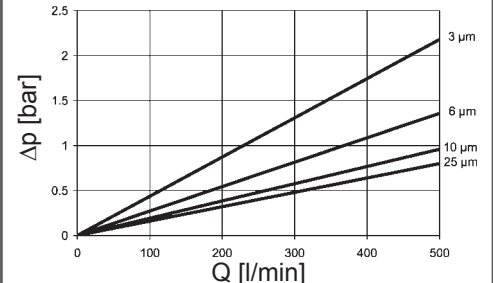
BN4HC: FLND 40



BN4HC: FLND 250

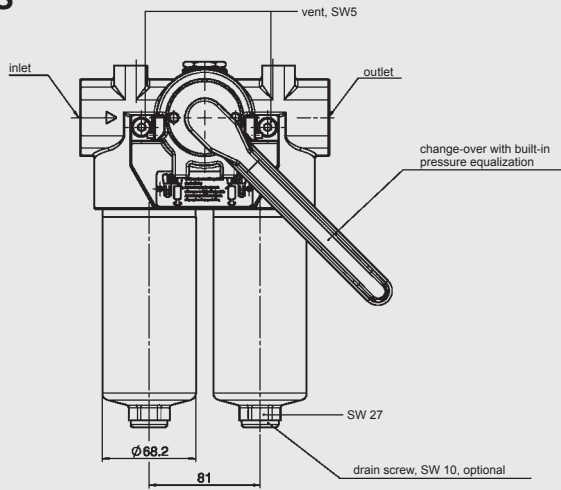


BN4HC: FLND 400

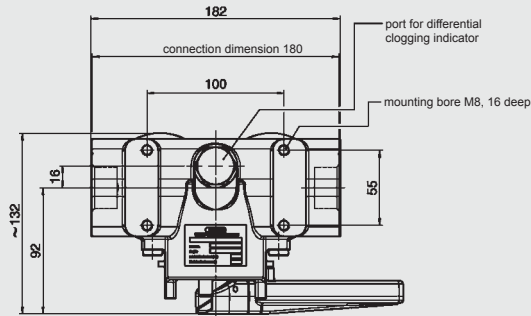
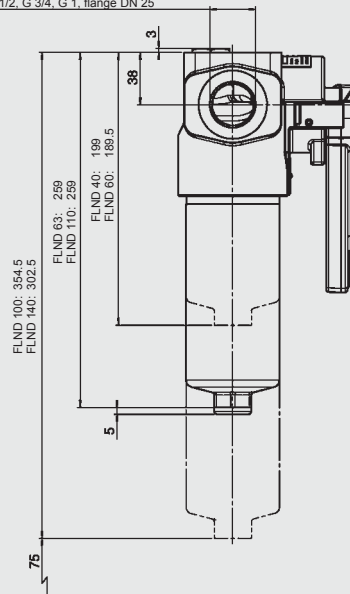


4. DIMENSIONS

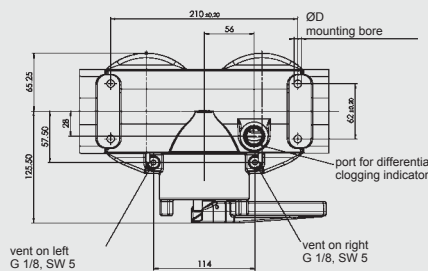
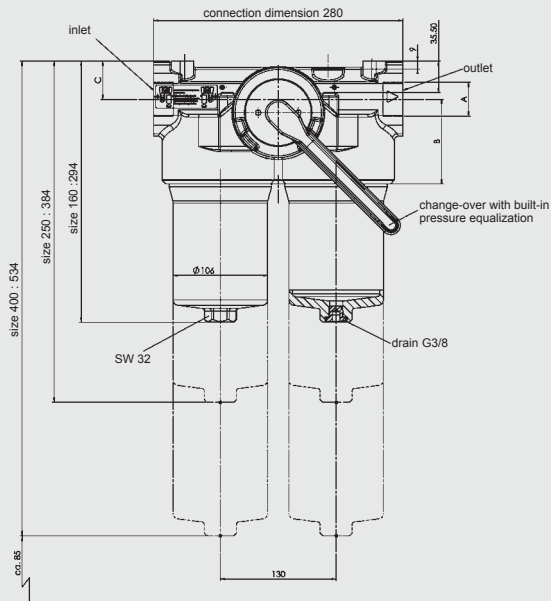
FLND 40 - 140



optional G 1/2, G 3/4, G 1, flange DN 25



FLND 160 - 400



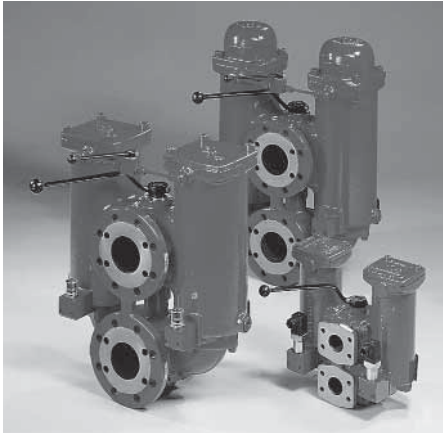
A	B	C	D
G 1 1/4	95	43	M10 x 19/22 deep
G 1 1/2	98	40	M10 x 19/22 deep
DN 38	95	43	M10 x 19/22 deep

FLND	Weight incl. element [kg]	Vol. of pressure chamber [l]
40	6.73	2x 0.26
60	6.83	2x 0.25
63	7.10	2x 0.40
100	11.33	2x 0.50
110	7.32	2x 0.40
140	11.78	2x 0.40
160	9.1	2x 1.40
250	9.6	2x 2.00
400	12.0	2x 3.10

NOTE

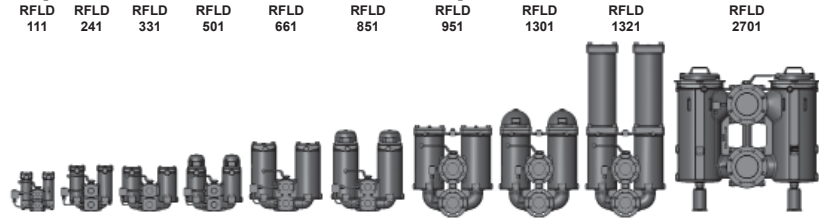
The information in this brochure relates to the operating conditions and applications described.
For applications or operating conditions not described, please contact the relevant technical department.
Subject to technical modifications.

HYDAC FILTERTECHNIK GMBH
Industriegebiet
D-66280 Sulzbach/Saar, Germany
Tel.: 0 68 97 / 509-01
Fax: 0 68 97 / 509-300
Internet: www.hydac.com
E-mail: filter@hydac.com



Change-Over Inline Filter RFLD Cast Version

up to 2500 l/min, up to 64 bar



1. TECHNICAL SPECIFICATIONS

1.1 FILTER HOUSING Construction

The filter housings are designed in accordance with international regulations. The two sections of the filter housing, each of which has a bolt-on cover plate, are connected by means of a ball change-over valve.

Standard equipment:

- connections for venting and draining
- connection for a clogging indicator
- for size DN 80 and above, the filters are fitted with a pressure equalisation line and a ball shut-off valve
- with bypass valve

1.2 FILTER ELEMENTS

HYDAC filter elements are validated and their quality is constantly monitored according to the following standards:

- ISO 2941, ISO 2942, ISO 2943, ISO 3724, ISO 3968, ISO 11170, ISO 16889

Contamination retention capacities in g

RFLD	Element per side	Betamicon® (BN4HC)			
		3 µm	5 µm	10 µm	20 µm
111	1x0110 R	12	13.3	16	18.1
241	1x0240 R	29.3	32.5	39.1	44.2
33x	1x0330 R	38.4	42.6	51.2	57.9
50x	1x0500 R	58.9	65.3	78.6	88.9
66x	1x0660 R	87.1	96.5	116.1	131.3
85x	1x0850 R	112.1	124.2	149.5	169.1
95x	1x0950 R	130.0	144.1	173.3	196.1
130x	1x1300 R	181.0	200.7	241.4	273.1
132x	1x2600 R	369.4	409.4	492.5	557.2
2701	1x2700 R	336.3	372.6	448.5	507.3

Filter elements are available with the following pressure stability values:

- Betamicon® (BN4HC): 20 bar
- Paper (P/HC)*: 10 bar
- Stainl. steel wire mesh (W/HC): 20 bar
- Stainless steel fibre (V)*: 30 bar
- Betamicon®/Aquamicron® (BN4AM)*: 10 bar
- Aquamicron® (AM)*: 10 bar

* for RFLD 2701, on request

1.3 FILTER SPECIFICATIONS

Nominal pressure	16 bar (RFLD 2701) 25 bar (RFLD 331-1321, 853) 40 bar (RFLD 111-241, 503, 662-1322) 64 bar (RFLD 332-502)
Temperature range	-10 °C to +100 °C
Material of filter housing and cover plate	EN-GJS-400-15: = 1
Material code (final digit of filter size)	EN-GJS-400-18LT: = only RFLD 2701 GP 240 GH+N: = 2 Stainl. steel 1.4581: = 3
Type of clogging indicator	VM (differential pressure measurement up to 210 bar operating pressure)
Pressure setting of the clogging indicator	2 bar (others on request)
Bypass cracking pressure	3 bar (others on request)

1.4 SEALS

NBR (=Perbunan)

1.5 MOUNTING

As inline filter

1.6 SPECIAL MODELS AND ACCESSORIES

- Orifice in the pressure equalisation line
- Stand
- Drain and vent ports with ball valves or other shut-off valves
- Counter flanges available for all sizes
- Change-over valve lockable
- Venting line with sight gauges

1.7 SPARE PARTS

See Original Spare Parts List

1.8 CERTIFICATES AND APPROVALS

These filters can be supplied with manufacturer's test certificates O and M to DIN 55350, Part 18. Test certificates 3.1 to DIN EN 10204 and approval certificates (Type Approval) for different approval authorities.

Areas of application, amongst others: lubrication.

Filter to API 614 (ANSI flange) on request!

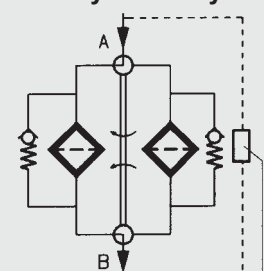
1.9 COMPATIBILITY WITH HYDRAULIC FLUIDS ISO 2943

- Hydraulic oils H to HLPD DIN 51524
- Lubrication oils DIN 51517, API, ACEA, DIN 51515, ISO 6743
- Compressor oils DIN 51506
- Biodegradable operating fluids VDMA 24568 HETG, HEES, HEPG
- Fire-resistant fluids HFA, HFB, HFC and HFD
- Operating fluids with high water content (>50% water content) and CLP-oil on request

1.10 IMPORTANT INFORMATION

- Filter housings must be earthed.
- When using electrical clogging indicators, the electrical power supply to the system must be switched off before removing the clogging indicator connector.
- Filters must be flexibly mounted and not fixed rigidly to the floor or used as a pipe support.
- When used with W/HC and P/HC elements, please follow the sizing recommendation under point 3.3!

Symbol for hydraulic systems



Differential pressure indicator

2. MODEL CODE (also order example)

RFLD BN/HC 851 D A L 10 D 1 . X /-L24

2.1 COMPLETE FILTER

Filter type _____

RFLD

Filter material of element _____

BN/HC Betamicon® (BN4HC) P/HC Paper* AM Aquamicon®*
 V Stainless steel fibre* W/HC Wire mesh BN/AM Betamicon®/Aquamicon®*

Size of filter or element _____

EN-GJS-400-15: 111, 241, 331, 501, 661, 851, 951, 1301, 1321
 EN-GJS-400-18LT: 2701
 GP 240 GH+N: 332, 502, 662, 852, 952, 1302, 1322
 Stainl. steel 1.4581: 503, 853

Operating pressure _____

C = 16 bar RFLD 2701
 D = 25 bar RFLD 331-1321, 853
 E = 40 bar RFLD 111-241, 503, 662-1322
 F = 64 bar RFLD 332-502

Type of change-over _____

A Ball

Type and size of port _____

EN-GJS-400-15 + EN-GJS-400-LT18 (●)
 GP 240 GH+N (X); 1.4581 (★)

Type	Port	Filter sizes									
		111	241	331 332	501 502 503	661 662	851 852 853	951 952	1301 1302	1321 1322	2701
D	G 1	●									
F	G 1½		●								
I	SAE DN 25	●									
J	DIN DN 50			x	X★						
K	SAE DN 40		●	●	●						
L	SAE DN 50			●X	●X	●	●				
M	SAE DN 65					●	●				
Q	DIN DN 80					x	X★				
R	DIN DN 100							x	x	x	
S	SAE/DIN DN 80					●	●	●	●	●	
T	SAE/DIN DN 100							●	●	●	
V	DIN DN 150										●

Other nominal bores, and ANSI flange version on request

Filtration rating in µm _____

BN/HC, V*: 3, 5, 10, 20 P/HC*: 10, 20 AM*: 40
 W/HC: 25, 50, 100, 200 BN/AM*: 3, 10

Type of clogging indicator _____

Y plastic blanking plug in indicator port
 A stainless steel blanking plug in indicator port
 B visual
 C electrical
 D visual and electrical
 for other clogging indicators, see brochure no. 7.050./..

Type code _____

1

Modification number _____

X the latest version is always supplied

Supplementary details _____

B. special cracking pressure of bypass (e.g. B1 = 1 bar)
 DE differential pressure measurement across element
 KB without bypass valve
 L... light with appropriate voltage (24V, 48V, 110V, 220V)
 LED 2 light emitting diodes up to 24 Volt
 SAK contamination retainer
 SB pressure equalisation line (SB2 = with 2mm orifice)
 STV stand
 V FPM seals
 only for clogging indicators type "D"

2.2 REPLACEMENT ELEMENT

0850 R 010 BN4HC /-V

Size _____

0110, 0240, 0330, 0500, 0660, 0850, 0950, 1300, 2600, 2700

Type _____

R

Filtration rating in µm _____

BN4HC, V*: 003, 005, 010, 020 P/HC*: 010, 020 AM*: 040
 W/HC: 025, 050, 100, 200 BN4AM*: 003, 010

Filter material _____

BN4HC, V*, W/HC, P/HC*, BN4AM*, AM*

Supplementary details _____

V (for descriptions, see point 2.1.)

2.3 REPLACEMENT CLOGGING INDICATOR

VM 2 D . X /-L24

Type _____

VM differential pressure measurement up to 210 bar operating pressure

Pressure setting _____

2 standard 2 bar, others on request

Type of clogging indicator (see Point 2.1.) _____

Modification number _____

X the latest version is always supplied

Supplementary details _____

L..., LED, V (for descriptions, see point 2.1.)

* for RFLD 2701 on request!

3. FILTER CALCULATION / SIZING

The total pressure drop of a filter at a certain flow rate Q is the sum of the housing Δp and the element Δp and is calculated as follows:

$$\Delta p_{\text{total}} = \Delta p_{\text{housing}} + \Delta p_{\text{element}}$$

$$\Delta p_{\text{housing}} = (\text{see Point 3.1})$$

$$\Delta p_{\text{element}} = Q \cdot \frac{SK^*}{1000} \cdot \frac{\text{viscosity}}{30}$$

(*see point 3.2)

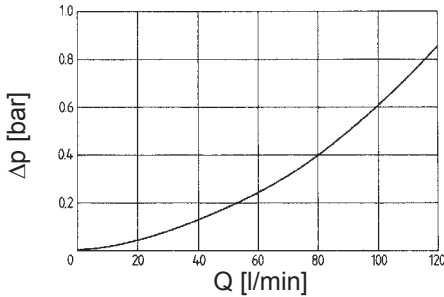
For ease of calculation, our Filter Sizing Program is available on request free of charge.

NEW: Sizing online at www.hydac.com

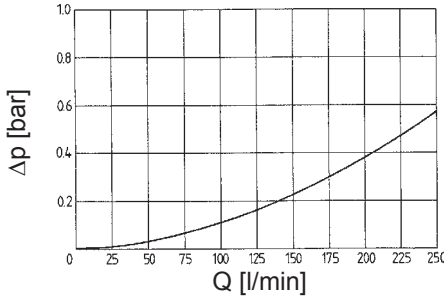
3.1 Δp -Q HOUSING CURVES BASED ON ISO 3968

The housing curves apply to mineral oil with a density of 0.86 kg/dm³ and a kinematic viscosity of 30mm²/s. In this case, the differential pressure changes proportionally to the density.

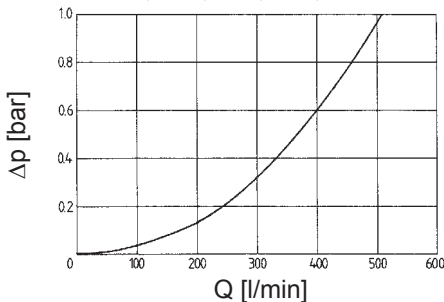
RFLD 111



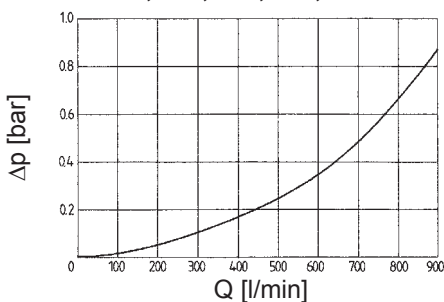
RFLD 241



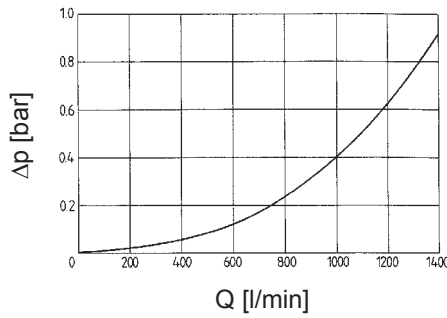
RFLD 331, 332, 501, 502, 503



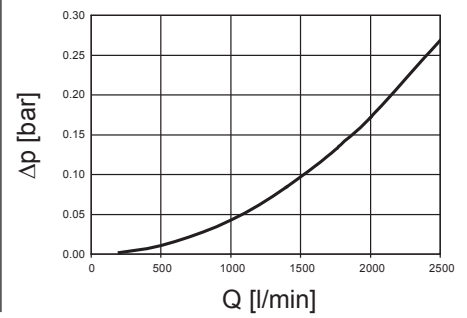
RFLD 661, 662, 851, 852, 853



RFLD 951, 952, 1301, 1302, 1321, 1322



RFLD 2701

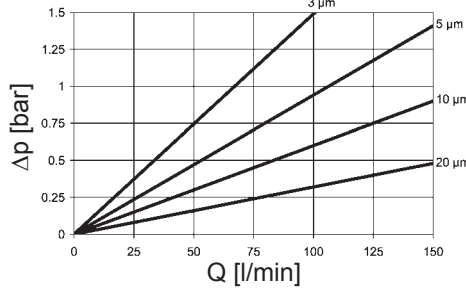


3.2 GRADIENT COEFFICIENTS (SK) FOR FILTER ELEMENTS

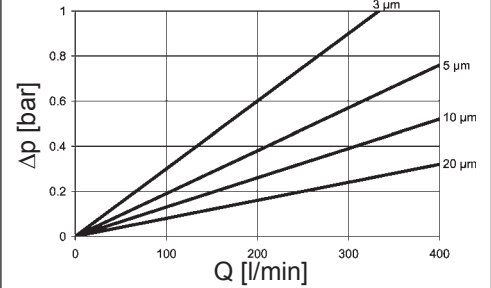
The gradient coefficients in mbar/(l/min) apply to mineral oils with a kinematic viscosity of 30 mm²/s. The pressure drop changes proportionally to the change in viscosity.

RFLD	V				W/HC
	3 μm	5 μm	10 μm	20 μm	
110	7.6	5.1	3.0	2.0	0.502
240	3.2	2.6	1.7	1.2	0.228
330	2.1	1.7	1.1	0.8	0.164
500	1.5	1.2	0.8	0.5	0.109
660	1.0	0.8	0.6	0.4	0.081
850	0.8	0.6	0.4	0.3	0.063
950	0.7	0.6	0.4	0.2	0.054
1300	0.5	0.4	0.3	0.2	0.045
2600	0.3	0.2	0.1	0.1	0.022
2700	—	—	—	—	0.038

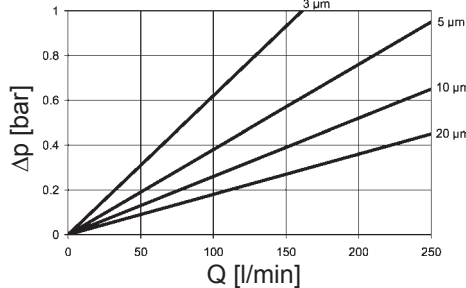
BN4HC: RFLD 110



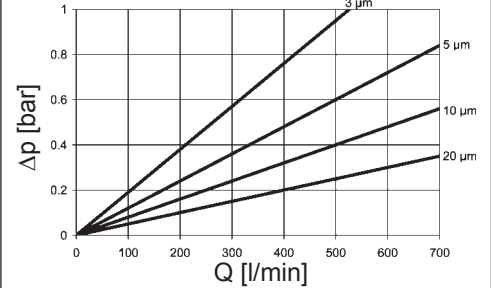
BN4HC: RFLD 500



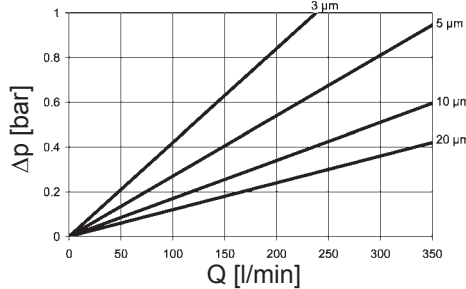
BN4HC: RFLD 240



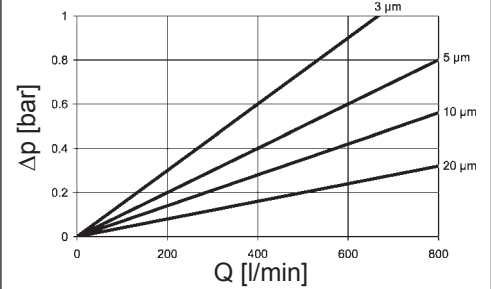
BN4HC: RFLD 660



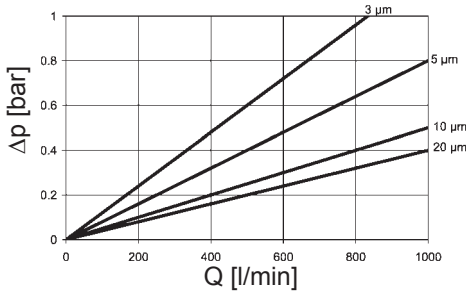
BN4HC: RFLD 330



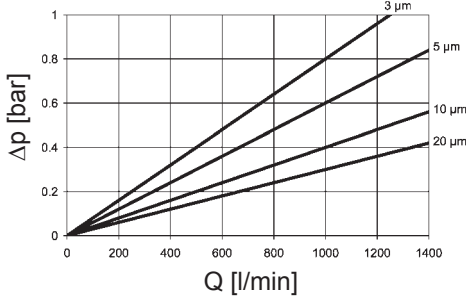
BN4HC: RFLD 850



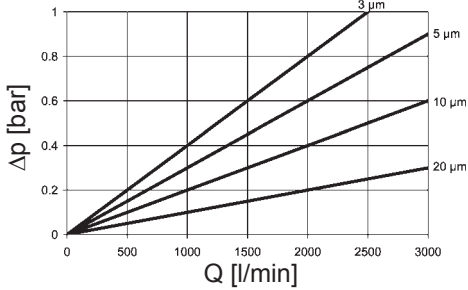
BN4HC: RFLD 950



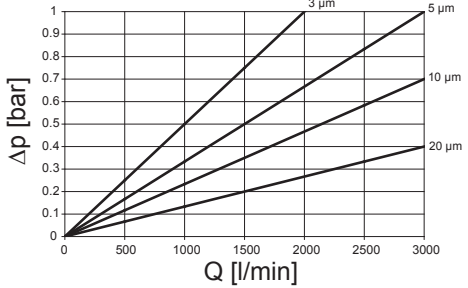
BN4HC: RFLD 1300



BN4HC: RFLD 2600



BN4HC: RFLD 2700

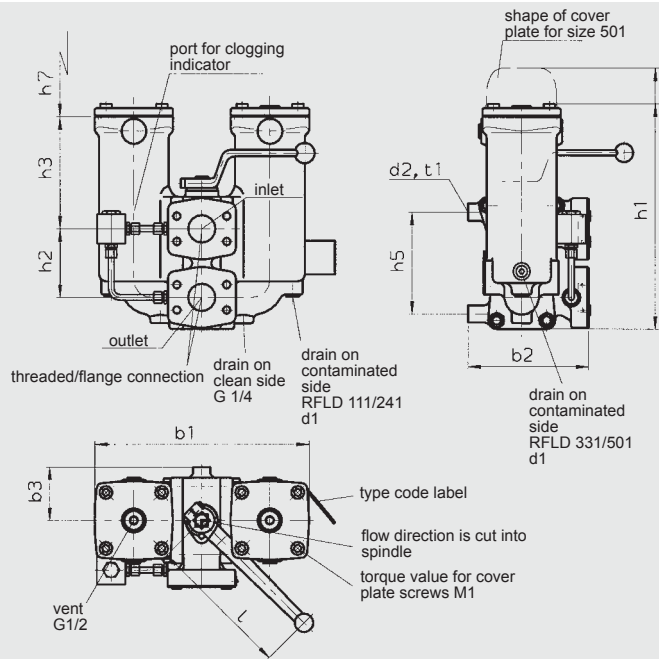


3.3 SIZING RECOMMENDATION

Filter type	Connection	Q _{max} when using W/HC and P/HC elements
RFLD 111	G1 SAE DN 25	70 l/min 70 l/min
RFLD 241	G 1½ SAE DN 40	170 l/min 170 l/min
RFLD 331	SAE DN 40	170 l/min
RFLD 331/332	SAE DN 50	260 l/min
RFLD 332	DIN DN 50	260 l/min
RFLD 501	SAE DN 40	170 l/min
RFLD 501/502	SAE DN 50	260 l/min
RFLD 502/503	DIN DN 50	260 l/min
RFLD 661	SAE DN 50 SAE DN 65 SAE /DIN DN 80	260 l/min 260 l/min 480 l/min
RFLD 662	DIN DN 80	480 l/min
RFLD 851	SAE DN 50 SAE DN 65	260 l/min 260 l/min
RFLD 851/853	SAE/DIN DN 80	480 l/min
RFLD 852	DIN DN 80	480 l/min
RFLD 951	SAE/DIN DN 80 SAE/DIN DN 100	480 l/min 900 l/min
RFLD 952	DIN DN 100	900 l/min
RFLD 1301/1321	SAE/DIN DN 80 SAE/DIN DN 100	480 l/min 900 l/min
RFLD 1302/1322	DIN DN 100	900 l/min
RFLD 2701	DIN DN 150	2500 l/min

4. DIMENSIONS

RFLD 111-501

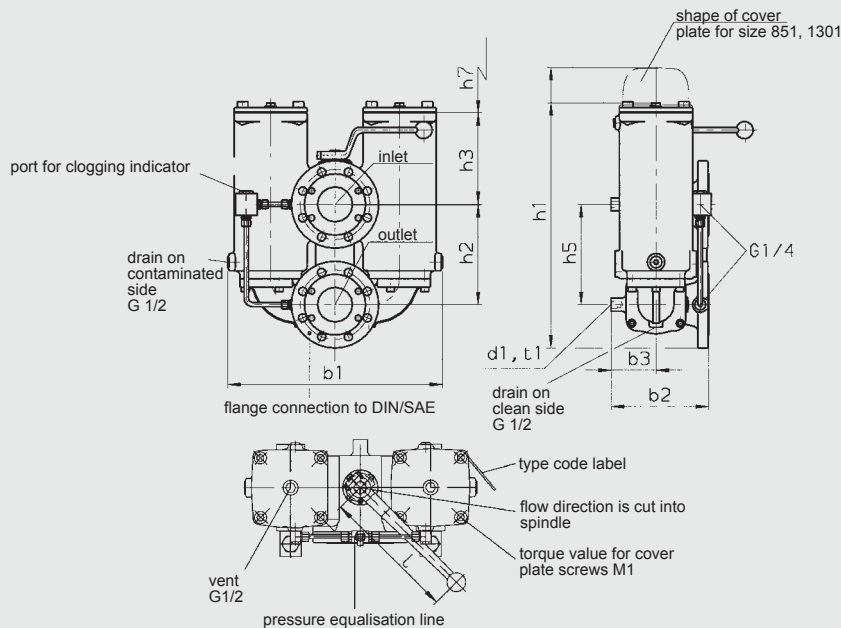


RFLD	Flange connection ¹⁾	Threaded connection ²⁾	b1	b2	b3	d1	d2	h1	h2	h3	h5	h7	l	M1 (Nm)	t1	Weight including element [kg]	Volume of pressure chamber [l]
111	DN 25 (1")	G 1	233	157	63	G ¼	M12	263	80	132	80	175	173	24	25	17	2 x 0.60
241	DN 40 (1½")	G 1½	302	167	75	G ¼	M12	312	95	155	140	210	216	40	18	27	2 x 1.40
331	DN 40 (1½")	-	396	167	75	G ½	M12	302	95	145	140	200	216	40	18	33	2 x 2.30
331	DN 50 (2")	-	380	187	85	G ½	M12	323	110	140	165	200	216	45	18	37	2 x 2.40
501	DN 40 (1½")	-	396	167	75	G ½	M12	382	95	145	140	280	216	45	18	35	2 x 3.00
501	DN 50 (2")	-	380	187	85	G ½	M12	400	110	140	165	280	216	45	18	39	2 x 3.10

¹⁾ Flange connection to SAE J 518 C (standard pressure range 3000 psi)

²⁾ Threaded connection to ISO 228

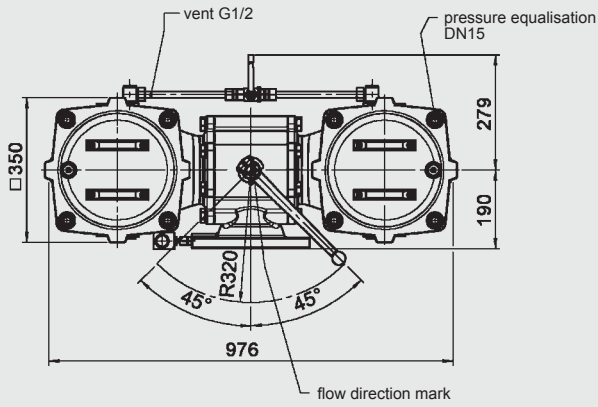
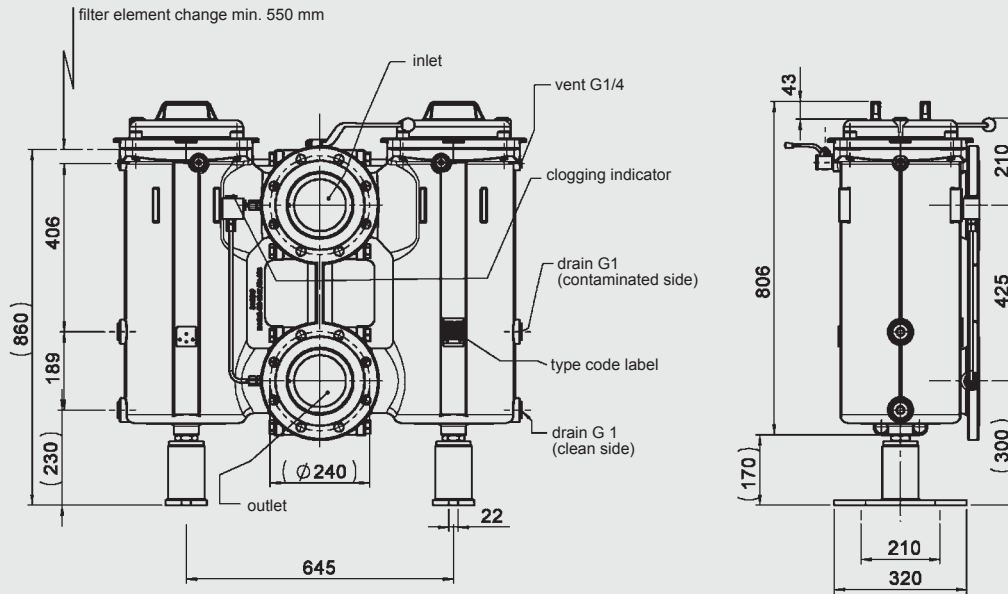
RFLD 661-1321



RFLD	Flange connection ¹⁾	b1	b2	b3	d1	h1	h2	h3	h5	h7	l	M1 (Nm)	t1	Weight including element [kg]	Volume of pressure chamber [l]
661	DN 50 (2")	496	187	85	M12	460	110	282	165	340	216	150	18	56	2 x 6.80
661	DN 65 (2½")	496	252	85	M12	472	110	282	165	340	216	150	18	74	2 x 6.80
661	DN 80 (3")	490	222	102	M12	566	230	210	230	340	301	150	23	82	2 x 8.20
851	DN 50 (2")	496	187	85	M12	544	110	282	165	420	216	150	18	62	2 x 8.10
851	DN 65 (2½")	496	252	85	M12	556	110	282	165	420	216	150	18	80	2 x 8.10
851	DN 80 (3")	490	222	102	M12	650	230	210	230	420	301	150	23	88	2 x 9.50
951	DN 80 (3")	548	222	102	M12	595	230	243	230	370	301	250	23	105	2 x 10.80
951	DN 100 (4")	555	248	118	M16	640	250	238	250	370	301	250	23	120	2 x 13.00
1301	DN 80 (3")	548	222	102	M12	701	230	243	230	490	301	250	23	110	2 x 13.80
1301	DN 100 (4")	555	248	118	M16	746	250	238	250	490	301	250	23	125	2 x 16.00
1321	DN 80 (3")	548	222	102	M12	1262	230	804	230	950	301	250	23	167	2 x 28.80
1321	DN 100 (4")	555	248	118	M16	1307	250	799	250	950	301	250	23	167	2 x 31.00

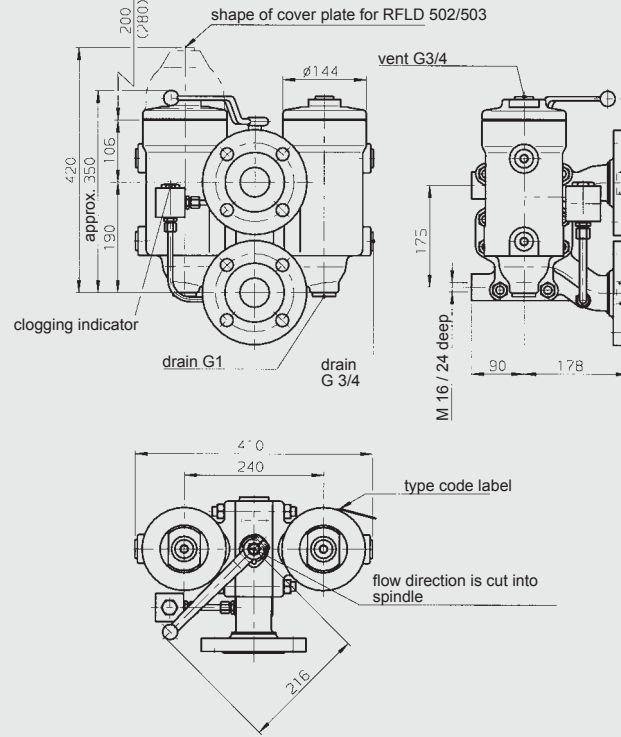
¹⁾ Flange connection to SAE J 518 C (standard pressure range 3000 psi) DIN flange connection to DIN 2501/1 for PN 25/40 (sealing strip "D" or "E")

RFLD 2701



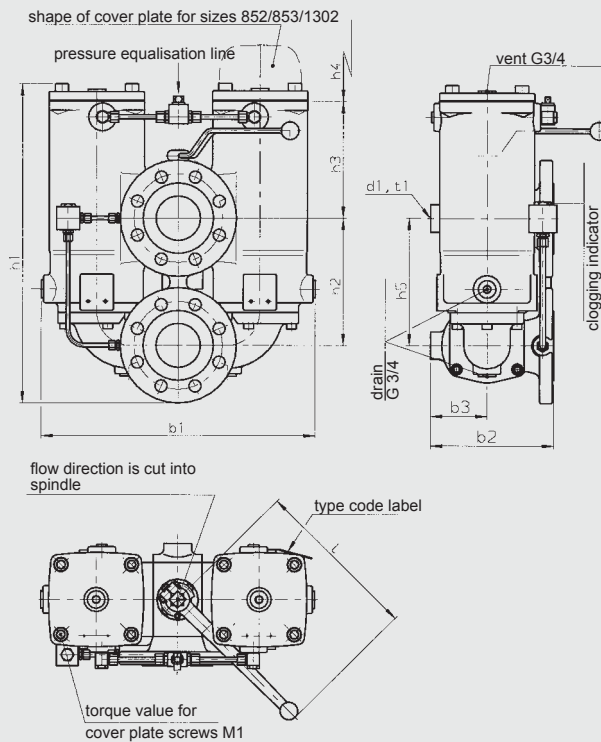
RFLD	Weight including element [kg]	Volume of pressure chamber [l]
2701	304.00	2 x 44.0

RFLD 332, 502, 503



RFLD	Weight including element [kg]	Volume of pressure chamber [l]
332	37	2 x 2.40
502	39	2 x 3.10
503	39	2 x 3.10

RFLD 662-1322, 853



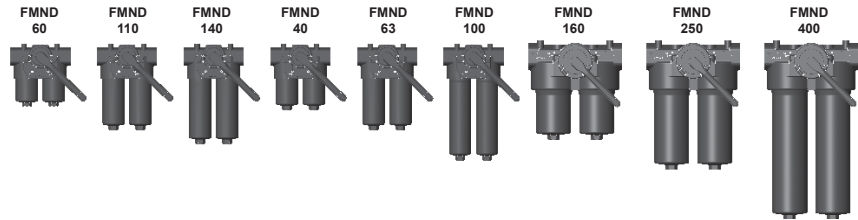
RFLD	Flange connection ¹⁾	b1	b2	b3	d1	h1	h2	h3	h4	h5	l	M1 (Nm)	t1	Weight including element [kg]	Volume of pressure chamber [l]
662	DN 80 (3")	495	222	102	M12	574	230	210	340	230	301	150	23	82	2 x 8.20
852	DN 80 (3")	495	222	102	M12	665	230	210	420	230	301	150	23	88	2 x 9.50
853	DN 80 (3")	495	222	102	M12	665	230	210	420	230	301	150	23	88	2 x 9.50
952	DN 100 (4")	573	248	118	M16	672	250	238	380	250	301	250	17	120	2 x 13.00
1302	DN 100 (4")	573	248	118	M16	745	250	238	490	250	301	250	17	125	2 x 16.00
1322	DN 100 (4")	573	248	118	M16	1307	250	238	950	250	301	250	17	167	2 x 31.00

¹⁾ Flange connection to SAE J 518 C (standard pressure range 3000 psi) DIN flange connection to DIN 2501/1 for PN 25/40 (sealing strip "D" or "E")



Change-Over Inline Filter FMND

to DIN 24550*, up to 400 l/min, up to 250 bar
*Filters and filter elements also available in HYDAC dimensions (FMND 40 to 140 only)



1. TECHNICAL SPECIFICATIONS

1.1 FILTER HOUSING

Construction

The filter housings are designed in accordance with international regulations. They consist of a filter head with integrated change-over valve and screw-in filter bowls.

Standard equipment:

- without bypass valve
- connection for a clogging indicator
- oil drain plug (FMND 160 to 400)

1.2 FILTER ELEMENTS

HYDAC filter elements are validated and their quality is constantly monitored according to the following standards:

- ISO 2941
- ISO 2942
- ISO 2943
- ISO 3724
- ISO 3968
- ISO 11170
- ISO 16889

Contamination retention capacities in g

FMND	Betamicon® (BN4HC)			
	3 µm	5 µm	10 µm	20 µm
60	6.5	7.3	7.8	8.0
110	13.8	15.5	16.4	16.9
140	18.1	20.3	21.5	22.2

FMND	Betamicon® (BN4HC)			
	3 µm	6 µm	10 µm	25 µm
40	5.2	5.6	6.3	7.0
63	9.2	9.9	11.1	12.8
100	15.4	16.5	18.6	20.6
160	27.5	29.3	33.1	36.7
250	46.0	49.0	55.2	61.3
400	76.2	81.3	91.4	101.5

FMND	Betamicon® (BH4HC)			
	3 µm	5 µm	10 µm	20 µm
60	4.6	4.5	5.0	5.7
110	10.1	9.9	10.9	12.4
140	13.3	13.0	14.3	16.3

FMND	Betamicon® (BH4HC)			
	3 µm	6 µm	10 µm	25 µm
40	4.1	4.4	5.2	6.2
63	7.3	7.9	9.2	11.2
100	12.2	13.2	15.5	18.9
160	21.8	23.9	27.8	33.8
250	38.1	41.7	48.6	59.0
400	63.6	69.5	81.0	98.3

1.3 FILTER SPECIFICATIONS

Nominal pressure	210 bar (FMND 160 to 400) 250 bar (FMND 40 to 140)
Fatigue strength	At nominal pressure 10 ⁶ cycles from 0 to nominal pressure
Temperature range	-10 °C to +100 °C
Material of filter head	EN-GJS-400-15
Material of filter bowl	Steel
Type of indicator	VM (Diff. pressure indicator up to 210 bar operating pressure) VD (Diff. pressure indicator up to 420 bar operating pressure)
Pressure setting of the clogging indicator	2.5 bar or 5 bar (others on request)
Bypass cracking pressure (optional)	3.5 bar or 7 bar (others on request)

Filter elements are available with the following pressure stability values:

Betamicon® (BN4HC):	20 bar
Betamicon® (BH4HC):	210 bar
Wire mesh (W/HC, W*):	20 bar

1.4 SEALS

NBR (= Perbunan)

1.5 INSTALLATION

As inline filter

1.6 SPECIAL MODELS AND ACCESSORIES

- With bypass valve
- Oil drain plug (FMND 40 to 140 = SO184)
- Seals in FPM, EPDM
- Reverse flow (RL)

1.7 SPARE PARTS

See Original Spare Parts List

1.8 CERTIFICATES AND APPROVALS

On request

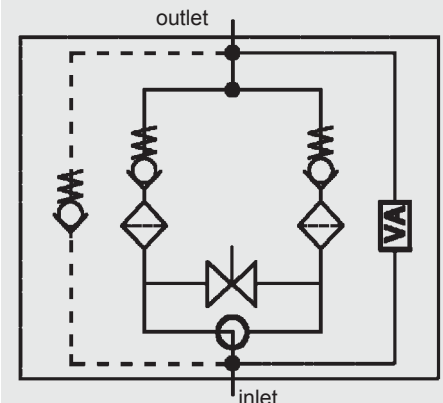
1.9 COMPATIBILITY WITH HYDRAULIC FLUIDS ISO 2943

- Hydraulic oils H to HLPD DIN 51524
- Lubrication oils DIN 51517, API, ACEA, DIN 51515, ISO 6743
- Compressor oils DIN 51506
- Biodegradable operating fluids VDMA 24568 HETG, HEES, HEPG
- Fire-resistant fluids HFA, HFB, HFC and HFD
- Operating fluids with high water content (>50% water content) on request
* only for FMND 40 - 140

1.10 IMPORTANT INFORMATION

- Filter housings must be earthed.
- When using electrical clogging indicators, the electrical power supply to the system must be switched off before removing the clogging indicator connector.

Symbol for hydraulic systems



VA = clogging indicator

2. MODEL CODE (also order example)

FMND BN/HC 250 L D F 10 D 1 . X /-L24

2.1 COMPLETE FILTER

Filter type _____

FMND

Filter material of element _____

BN/HC Betamicon® (BN4HC) BH/HC Betamicon® (BH4HC)

W/HC, W* Stainless steel wire mesh

Size of filter or element _____

FMND: 40, 60, 63, 100, 110, 140, 160, 250, 400

Operating pressure _____

L = 210 bar (FMND 160 to 400)

M = 250 bar (FMND 40 to 140)

Type of change-over _____

D single switching valve and check valve

Type and size of port _____

to DIN 24550 (●), possible ports (X)

Type	Port	Filter size								
		... not to DIN 24550			... to DIN 24550					
		60	110	140	40	63	100	160	250	400
B	G 1/2	X	X	X	●	X	X			
C	G 3/4	X	X	X	X	●	X			
D	G 1	X	X	X	X	X	●			
E	G 1 1/4							●	X	X
F	G 1 1/2							X	●	X
I	DN 25*	X	X	X	X	X	X			
K	DN 38*							X	X	●

*Flange SAE, 3000 PSI

Filtration rating in µm _____

BN/HC, BH/HC: 3, 5, 10, 20 BN/HC, BH/HC to DIN 24550: 3, 6, 10, 25

W/HC, W*: 25, 50, 100, 200

Type of clogging indicator _____

Y plastic blanking plug in indicator port

A steel blanking plug in indicator port

B visual

C electrical

D visual and electrical

LZ visual-mechanical / electrical

for other clogging indicators, see brochure no. 7.050.../..

Type code _____

1

Modification number _____

X the latest version is always supplied

Supplementary details _____

B. bypass cracking pressure (e.g. B3.5 = 3.5 bar; B7 = 7 bar); without details = without bypass valve

L... light with appropriate voltage (24V, 48V, 110V, 220V)

LED 2 light emitting diodes up to 24 Volt

AV LZ indicator with plug to AUDI and VW specification

BO LZ indicator with plug and pin connections to BMW and Opel specification (M12x1)

CN LZ indicator with plug to DIN 43651 with 3 LEDs (CNOMO specification)

DB LZ indicator with plug to DIN 43651 with 3 LEDs (Daimler-Benz specification)

D4C LZ with plug and connector to Daimler-Chrysler specification and cold start suppression 30 °C

BO-LED as for BO, but with diode strip

RL reverse flow direction

SO184 oil drain plug (FMND 40 to 140)

V FPM seals

W suitable for HFA and HFC emulsions

2.2 REPLACEMENT ELEMENT

Size _____

0040, 0060, 0063, 0100, 0110, 0140, 0160, 0250, 0400

Type _____

D 0060, 0110, 0140

DN to DIN 24550: 0040, 0063, 0100, 0160, 0250, 0400

Filtration rating in µm _____

BN4HC, BH4HC: 003, 005, 010, 020

BN4HC, BH4HC to DIN 24550: 003, 006, 010, 025

W/HC, W*: 025, 050, 100, 200

Filter material _____

BN4HC, BH4HC, W/HC, W*

Supplementary details _____

V, W (for descriptions, see point 2.1)

2.3 REPLACEMENT CLOGGING INDICATOR

Type of indicator _____

VM differential pressure indicator up to 210 bar operating pressure

VD differential pressure indicator 420 bar operating pressure

Pressure setting _____

5 standard 5 bar, others on request

Type of clogging indicator (see point 2.1) _____

Modification number _____

X the latest version is always supplied

Supplementary details _____

L..., LED, V, W, AV, BO, CN, DB, D4C, BO-LED (for descriptions see Point 2.1)

* only for FMND 40 - 140

0250 DN 010 BN4HC /-V

VM 5 D . X /-L24

3. FILTER CALCULATION / SIZING

The total pressure drop of a filter at a certain flow rate Q is the sum of the housing Δp and the element Δp and is calculated as follows:

$$\Delta p_{\text{total}} = \Delta p_{\text{housing}} + \Delta p_{\text{element}}$$

$$\Delta p_{\text{housing}} = (\text{see Point 3.1})$$

$$\Delta p_{\text{element}} = Q \cdot \frac{SK^*}{1000} \cdot \frac{\text{viscosity}}{30}$$

(*see Point 3.2)

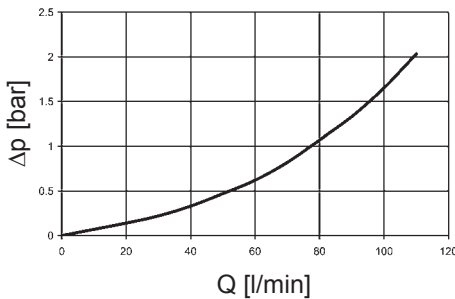
For ease of calculation, our Filter Sizing Program is available on request free of charge.

NEW: Sizing online at www.hydac.com

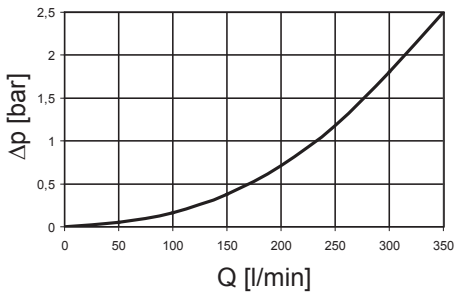
3.1 Δp -Q HOUSING CURVES BASED ON ISO 3968

The housing curves apply to mineral oil with a density of 0.86 kg/dm³ and a kinematic viscosity of 30 mm²/s. In this case, the differential pressure changes proportionally to the density.

FMND 40, 60, 63, 100, 110, 140



FMND 160, 250, 400

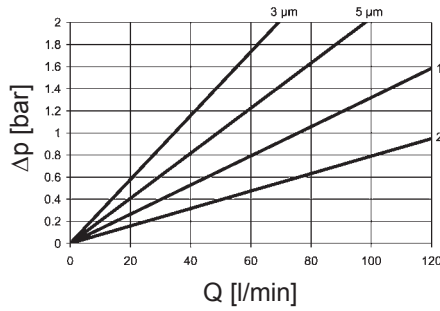


3.2 GRADIENT COEFFICIENTS (SK) FOR FILTER ELEMENTS

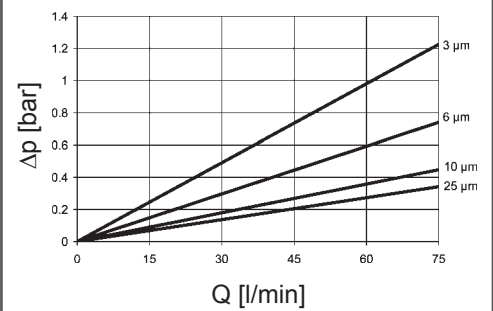
The gradient coefficients in mbar/(l/min) apply to mineral oils with a kinematic viscosity of 30 mm²/s. The pressure drop changes proportionally to the change in viscosity.

FMND	... D ... BH4HC				W/HC - W	... DN ... BH4HC			
	3 μm	5 μm	10 μm	20 μm		-	3 μm	6 μm	10 μm
60	58.6	32.6	18.1	12.2	0.757	-	-	-	-
110	25.4	14.9	8.9	5.6	0.413	-	-	-	-
140	19.9	11.3	8.1	4.3	0.324	-	-	-	-
40	-	-	-	-	0.966	40.4	24.8	16.4	10.9
63	-	-	-	-	0.54	29.0	18.2	11.7	7.6
100	-	-	-	-	0.325	19.0	11.7	7.7	5.3
160	-	-	-	-	0.168	8.0	5.1	3.8	2.5
250	-	-	-	-	0.101	5.4	3.4	2.8	1.9
400	-	-	-	-	0.068	3.4	2.1	1.7	1.1

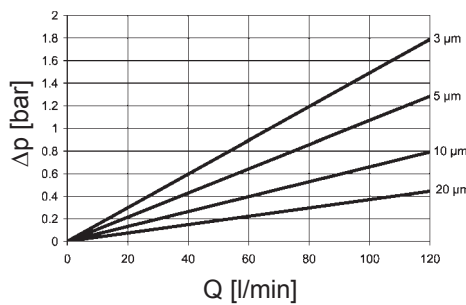
BN4HC: FMND 60



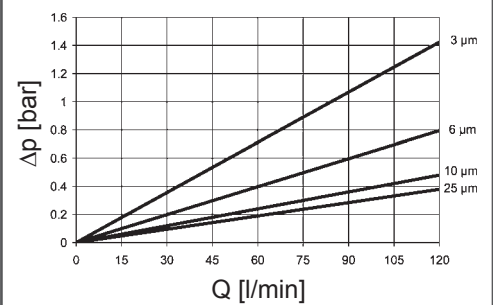
BN4HC: FMND 63



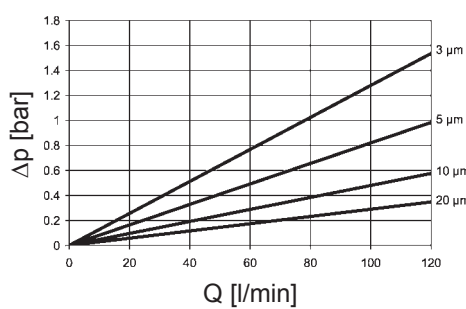
BN4HC: FMND 110



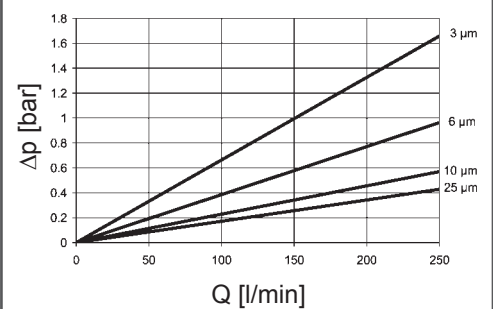
BN4HC: FMND 100



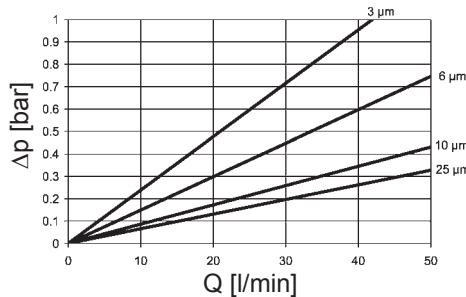
BN4HC: FMND 140



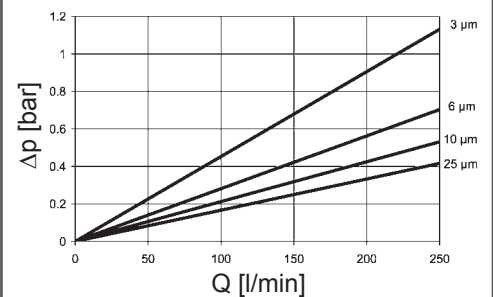
BN4HC: FMND 160



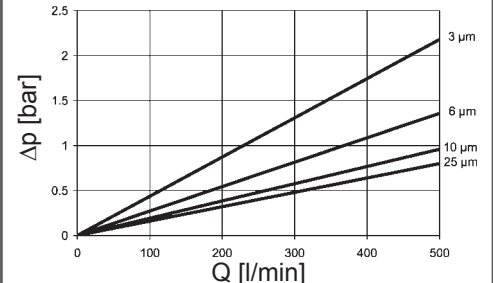
BN4HC: FMND 40



BN4HC: FMND 250

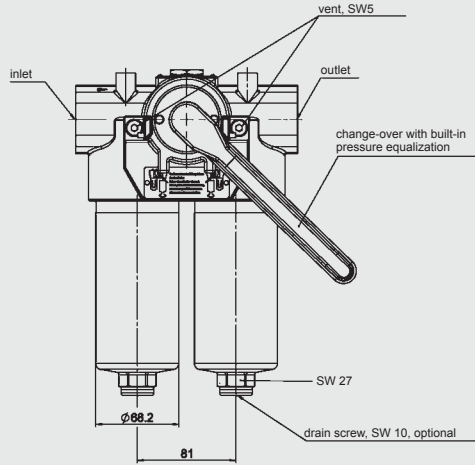


BN4HC: FMND 400

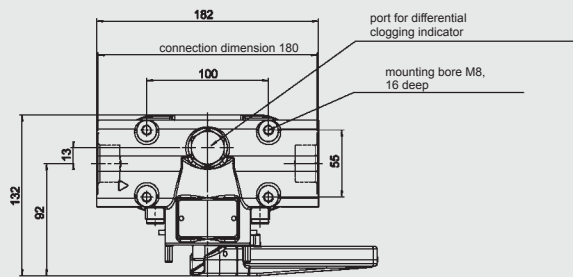
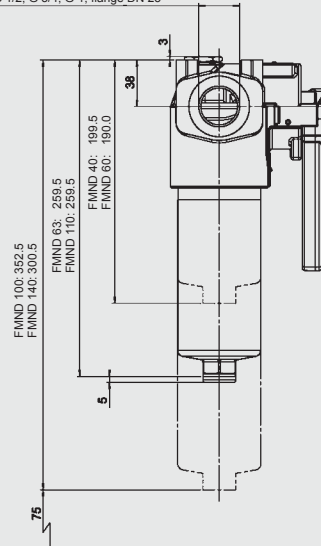


4. DIMENSIONS

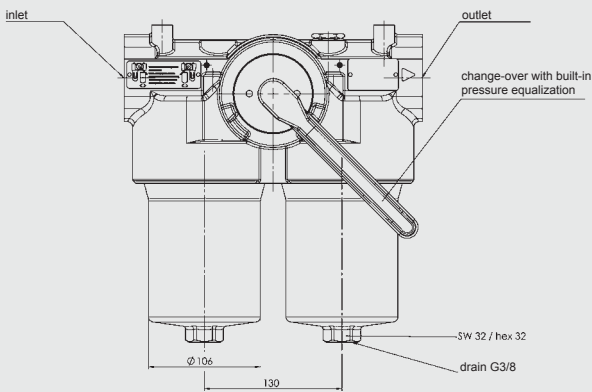
FMND 40 - 140



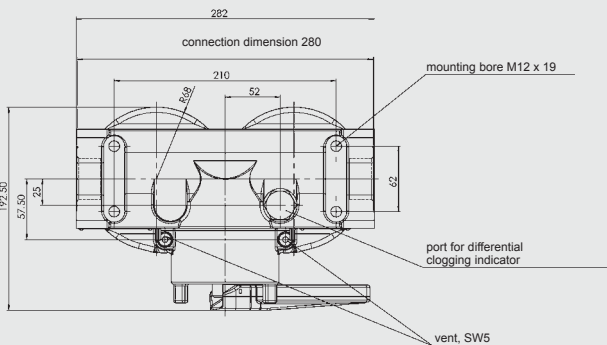
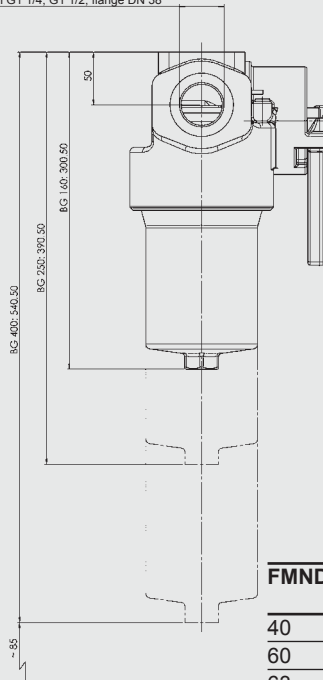
optional G 1/2, G 3/4, G 1, flange DN 25



FMND 160 - 400



optional G 1/4, G 1/2, flange DN 38



FMND	Weight incl. element [kg]	Vol. of pressure chamber [l]
40	9.2	2x 0.22
60	9.2	2x 0.20
63	10.5	2x 0.33
100	11.5	2x 0.50
110	10.8	2x 0.33
140	12.0	2x 0.40
160	23.9	2x 1.10
250	27.1	2x 1.70
400	32.2	2x 2.70

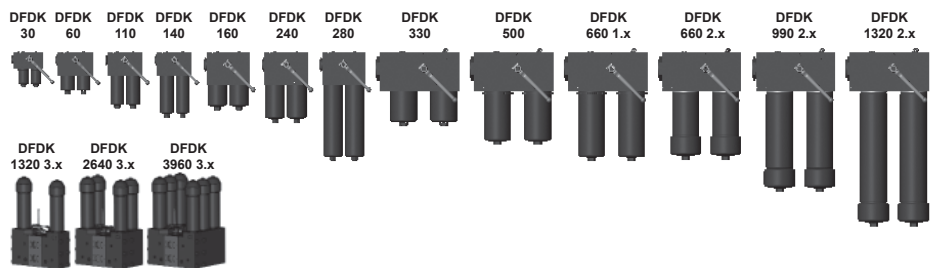
NOTE

The information in this brochure relates to the operating conditions and applications described.
For applications and operating conditions not described, please contact the relevant technical department.
Subject to technical modifications.

HYDAC FILTERTECHNIK GMBH
Industriegebiet
D-66280 Sulzbach/Saar, Germany
Tel.: 0 68 97 / 509-01
Fax: 0 68 97 / 509-300
Internet: www.hydac.com
E-mail: filter@hydac.com



Change-Over Pressure Filter DFDK up to 2500 l/min, up to 315 bar



1. TECHNICAL SPECIFICATIONS

1.1 FILTER HOUSING Construction

The filter housings are designed in accordance with international regulations. They consist of a filter head with screw-in filter bowls.

Standard equipment:

- ball change-over valve
- two-piece filter bowl for DFDK 990, 1320 (as an option for DFDK 660)
- connection for a clogging indicator
- drain screw with pressure relief
- pressure equalization line (for size DFDK 330 and above)

1.2 FILTER ELEMENTS

HYDAC filter elements are validated and their quality is constantly monitored according to the following standards:

- ISO 2941, ISO 2942, ISO 2943, ISO 3724, ISO 3968, ISO 11170, ISO 16889

Contamination retention capacities in g

DFDK	Elements per side	Betamicon® (BN4HC)			
		3 µm	5 µm	10 µm	20 µm
30	1x0030 D	4.6	5.1	5.4	5.6
60	1x0060 D	6.5	7.3	7.8	8.0
110	1x0110 D	13.8	15.5	16.4	16.9
140	1x0140 D	18.1	20.3	21.5	22.2
160	1x0160 D	19.8	22.2	23.5	24.3
240	1x0240 D	32.3	36.3	38.4	39.6
280	1x0280 D	70.6	79.3	83.9	86.6
330	1x0330 D	47.2	53.1	56.1	57.9
500	1x0500 D	76.9	86.5	91.5	94.4
660	1x0660 D	102.2	114.9	121.5	125.4
990	1x0990 D	154.5	173.7	183.7	189.5
1320	1x1320 D	209.9	236.0	249.6	257.5
1320.3.X	1x1320 D	209.9	236.0	249.6	257.5
2640.3.X	2x1320 D	419.8	472.0	499.2	515.0
3960.3.X	3x1320 D	629.7	708.0	748.8	772.5

DFDK	Elements per side	Betamicon® (BH4HC)			
		3 µm	5 µm	10 µm	20 µm
30	1x0030 D	3.0	2.9	3.2	3.7
60	1x0060 D	4.6	4.5	5.0	5.7
110	1x0110 D	10.1	9.9	10.9	12.4
140	1x0140 D	13.3	13.0	14.3	16.3
160	1x0160 D	12.9	12.6	13.9	15.9
240	1x0240 D	21.6	21.1	23.2	26.5
280	1x0280 D	48.1	47.1	51.8	59.1
330	1x0330 D	34.6	33.9	37.2	42.5
500	1x0500 D	57.5	56.3	61.8	70.5
660	1x0660 D	76.8	75.2	82.6	94.3
990	1x0990 D	111.8	109.4	120.2	137.2
1320	1x1320 D	153.8	150.7	165.5	188.8
1320.3.X	1x1320 D	153.8	150.7	165.5	188.8
2640.3.X	2x1320 D	307.6	301.4	331.0	377.6
3960.3.X	3x1320 D	461.4	452.1	496.5	566.4

1.3 FILTER SPECIFICATIONS

Nominal pressure	160 bar (DFDK with type code 3.X) 315 bar (DFDK with type code 1.X and 2.X)
Fatigue strength	At nominal pressure 10 ⁶ cycles from 0 to nominal pressure
Temperature range	-10 °C to +100 °C (-30 °C to -10 °C: p _{max} = 157.5 bar)
Material of filter head	EN-GJS-400-15
Material of filter bowl	Steel
Type of clogging indicator	VD (differential pressure measurement up to 420 bar operating pressure)
Pressure setting of the clogging indicator	8 bar (others on request)

Filter elements are available with the following pressure stability values:

Betamicon® (BN4HC):	20 bar
Betamicon® (BH4HC):	210 bar
Wire mesh (W/HC,W):	20 bar
Stainless steel fibre (V):	210 bar

1.4 SEALS

NBR (= Perbunan)

1.5 INSTALLATION

As inline filter

1.6 SPECIAL MODELS AND ACCESSORIES

Pressure equalization line
DFDK 160 - 280

1.7 SPARE PARTS

See Original Spare Parts List

1.8 CERTIFICATES AND APPROVALS

On request

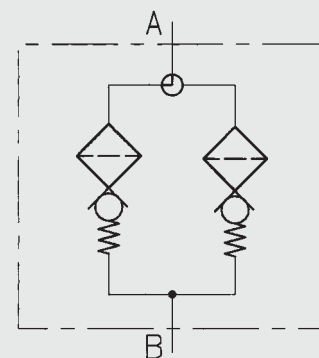
1.9 COMPATIBILITY WITH HYDRAULIC FLUIDS ISO 2943

- Hydraulic oils H to HLPD DIN 51524
- Lubrication oils DIN 51517, API, ACEA, DIN 51515, ISO 6743
- Compressor oils DIN 51506
- Biodegradable operating fluids VDMA 24568 HETG, HEES, HEPG
- Fire-resistant fluids HFA, HFB, HFC and HFD
- Operating fluids with high water content (>50% water content) and CLP-oil on request

1.10 IMPORTANT INFORMATION

- Filter housings must be earthed.
- When using electrical clogging indicators, the electrical power supply to the system must be switched off before removing the clogging indicator connector.

Symbol for hydraulic systems



2. MODEL CODE (also order example)

DFDK BN/HC 160 Q A F 10 D 1 . X /-L24

2.1 COMPLETE FILTER

Filter type _____

DFDK

Filter material of element _____

BN/HC Betamicon® (BN4HC) V Stainless steel fibre
 BH/HC Betamicon® (BH4HC) W/HC, W Wire mesh

Size of filter or element _____

DFDK: 30, 60, 110, 140, 160, 240, 280, 330, 500, 660, 990, 1320, 2640, 3960

Operating pressure _____

Q = 315 bar
 K = 160 bar (only for DFDK 1320, 2640, 3960...3.x)

Type of change-over _____

A Ball

Type and size of connection _____

Type	Connection type	Filter size													
		30	60	110	140	160	240	280	330	500	660	990	1320	1320/2640/3960...3.x	
B	G 1/2	•													
C	G 3/4		•	•	•										
F	G1 1/2					•	•	•							
L	SAE DN 50*								•	•	•	•	•		
M	SAE DN 65													•	

*DIN ISO 228 (6000 PSI)

Filtration rating in µm _____

BN/HC, BH/HC, V: 3, 5, 10, 20
 W/HC, W: 25, 50, 100, 200

Type of clogging indicator _____

Y plastic blanking plug in indicator port
 A steel blanking plug in indicator port
 B visual
 C electrical
 D visual and electrical

for other clogging indicators, see brochure no. 7.050.../..

Type code _____

1 model with one-piece filter bowls
 2 model with two-piece filter bowls (only for DFDK 660 to 1320)
 3 top-removable model (only DFDK 1320 to 3960)

Modification number _____

X the latest version is always supplied

Supplementary details _____

B. light with appropriate voltage (24, 48, 110, 220 Volt)
 LED 2 light-emitting diodes up to 24 Volt
 V FPM seals
 W suitable for HFA and HFC emulsions

only for clogging indicators type "D"

2.2 REPLACEMENT ELEMENT

0160 D 010 BN4HC /-V

Size _____

0030, 0060, 0110, 0140, 0160, 0240, 0280, 0330, 0500, 0660, 0990, 1320

Type _____

D

Filtration rating in µm _____

BN4HC, BH4HC, V: 003, 005, 010, 020
 W/HC, W: 025, 050, 100, 200

Filter material _____

BN4HC, BH4HC, V, W/HC, W

Supplementary details _____

V, W (for descriptions, see Point 2.1)

2.3 REPLACEMENT CLOGGING INDICATOR

VD 8 D . X /-L24

Type _____

VD Differential pressure indicator up to 420 bar operating pressure

Pressure setting _____

8 standard 8 bar, others on request

Type of clogging indicator _____

D (see Point 2.1)

Modification number _____

X the latest version is always supplied

Supplementary details _____

L..., LED, V, W (for descriptions, see Point 2.1)

3. FILTER CALCULATION / SIZING

The total pressure drop of a filter at a certain flow rate Q is the sum of the housing Δp and the element Δp and is calculated as follows:

$$\Delta p_{\text{total}} = \Delta p_{\text{housing}} + \Delta p_{\text{element}}$$

$$\Delta p_{\text{housing}} = (\text{see Point 3.1})$$

$$\Delta p_{\text{element}} = Q \cdot \frac{SK^*}{1000} \cdot \frac{\text{viscosity}}{30}$$

(*see point 3.2)

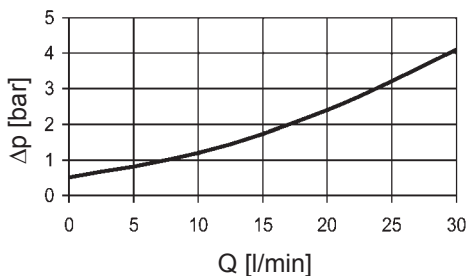
For ease of calculation, our Filter Sizing Program is available on request free of charge.

NEW: Sizing online at www.hydac.com

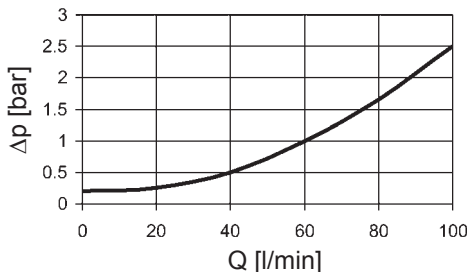
3.1 Δp -Q HOUSING CURVES BASED ON ISO 3968

The housing curves apply to mineral oil with a density of 0.86 kg/dm³ and a kinematic viscosity of 30 mm²/s. In this case, the differential pressure changes proportionally to the density.

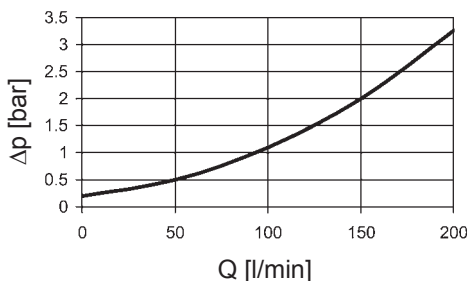
DFDK 30 ... 1.x



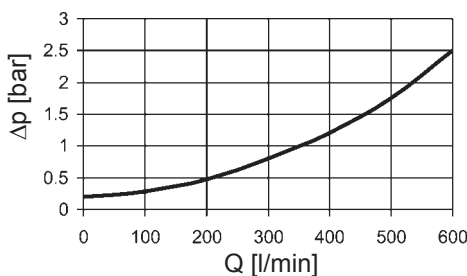
DFDK 60, 110, 140 ... 1.x



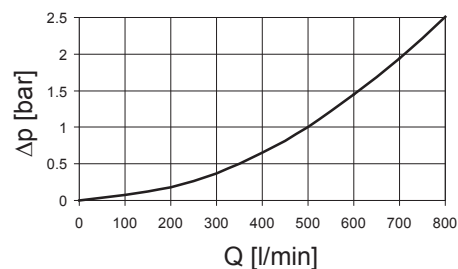
DFDK 160, 240, 280 ... 1.x



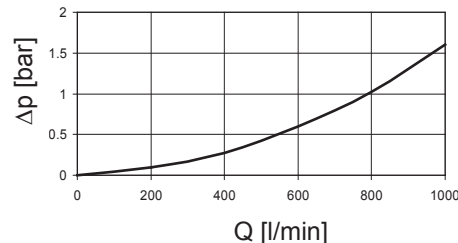
DFDK 330, 500, 660 ... 1.x
DFDK 660, 990, 1320 ... 2.x



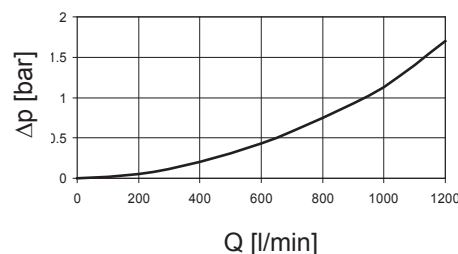
DFDK 1320 ... 3.x



DFDK 2640 ... 3.x



DFDK 3960 ... 3.x

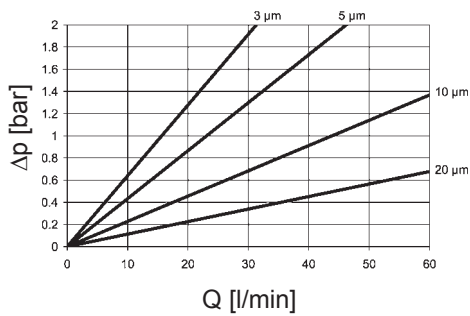


3.2 GRADIENT COEFFICIENTS (SK) FOR FILTER ELEMENTS

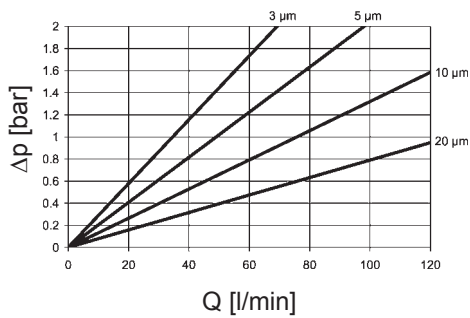
The gradient coefficients in mbar/(l/min) apply to mineral oils with a kinematic viscosity of 30 mm²/s. The pressure drop changes proportionally to the change in viscosity.

DFDK	V				W/HC, W	BH4HC			
	3 μm	5 μm	10 μm	20 μm		–	3 μm	5 μm	10 μm
30	18.4	13.5	7.5	3.6	3.030	91.2	50.7	36.3	19.0
60	16.0	9.3	5.4	3.3	0.757	58.6	32.6	18.1	12.2
110	8.2	5.6	3.3	2.2	0.413	25.4	14.9	8.9	5.6
140	5.8	4.8	3.1	2.3	0.324	19.9	11.3	8.1	4.3
160	4.6	3.2	2.3	1.4	0.284	16.8	10.4	5.9	4.4
240	3.1	2.5	1.7	1.1	0.189	10.6	6.8	3.9	2.9
280	2.3	1.7	1.2	0.8	0.162	5.7	3.4	1.8	1.6
330	2.2	1.8	1.2	0.8	0.138	7.7	4.5	2.8	2.0
500	1.5	1.2	0.8	0.5	0.091	4.2	2.6	1.5	1.2
660	1.1	0.9	0.6	0.4	0.069	3.3	1.9	1.0	0.9
990	0.8	0.6	0.4	0.3	0.046	2.2	1.3	0.8	0.6
1320	0.6	0.5	0.3	0.2	0.035	1.6	1.0	0.6	0.4

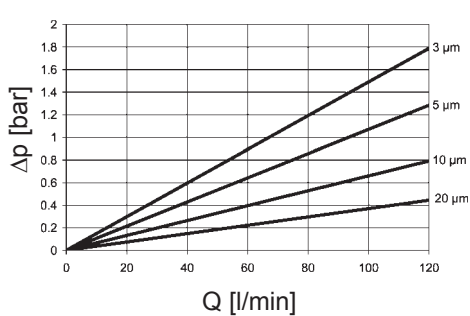
BN4HC: DFDK... 30



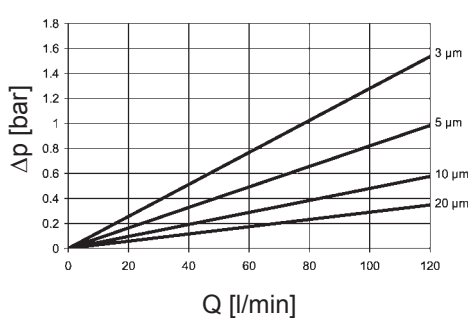
BN4HC: DFDK... 60



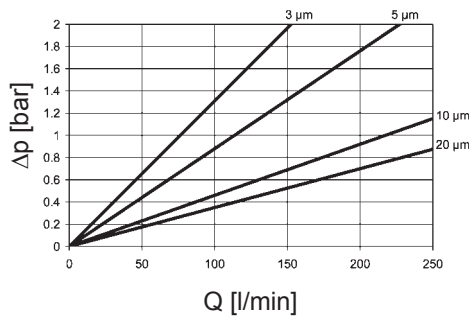
BN4HC: DFDK... 110



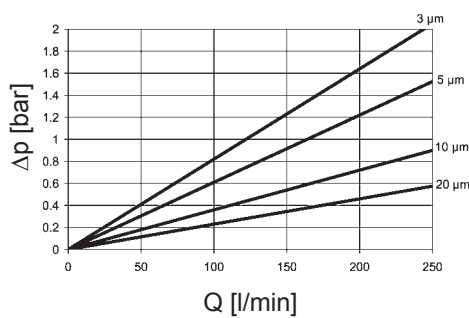
BN4HC: DFDK... 140



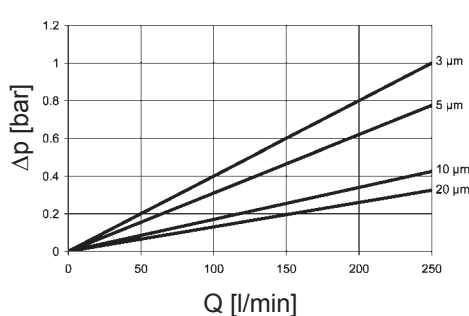
BN4HC: DFDK... 160



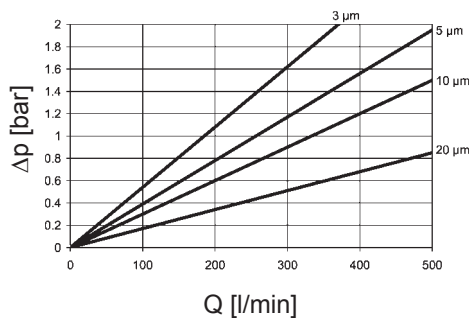
BN4HC: DFDK... 240



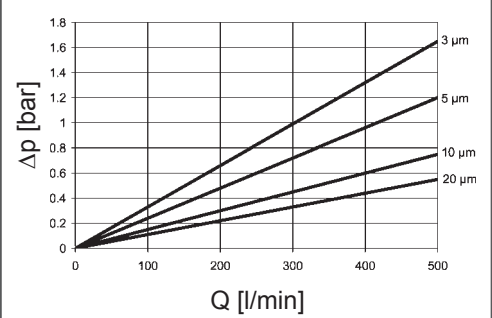
BN4HC: DFDK... 280



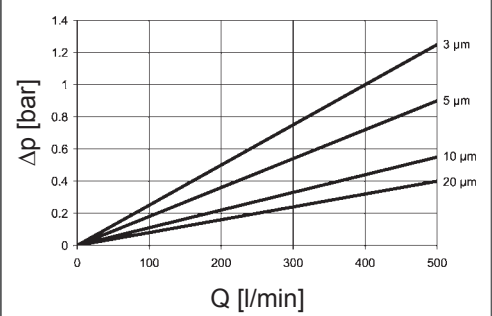
BN4HC: DFDK... 330



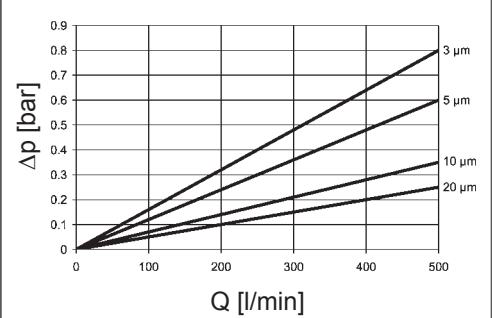
BN4HC: DFDK... 500



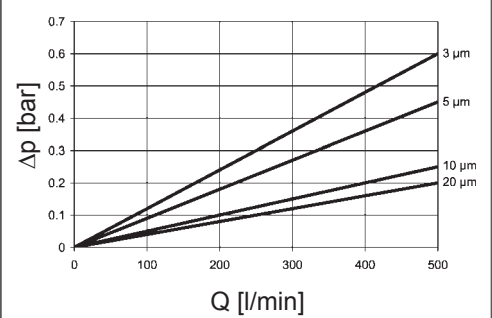
BN4HC: DFDK... 660



BN4HC: DFDK... 990

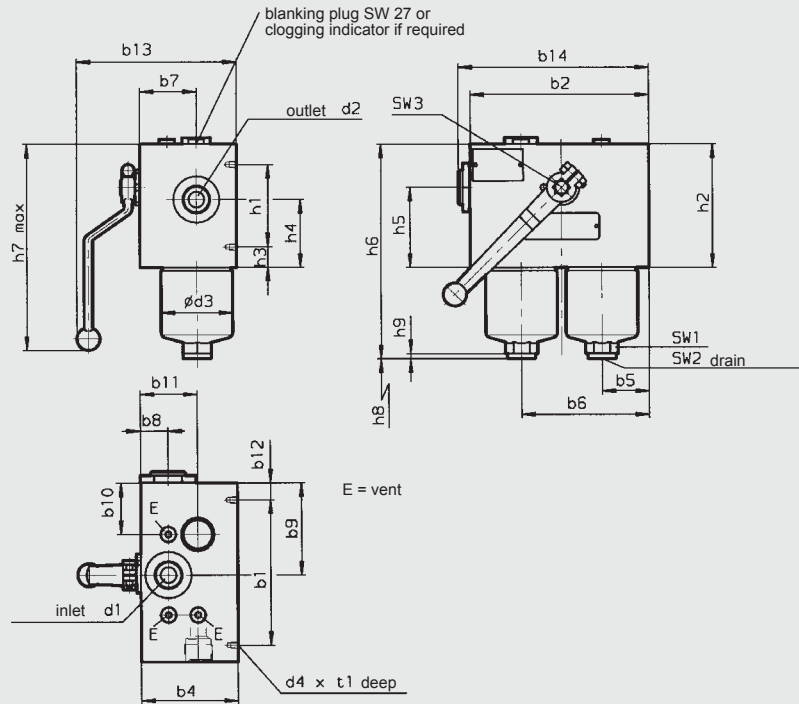


BN4HC: DFDK... 1320



4. DIMENSIONS

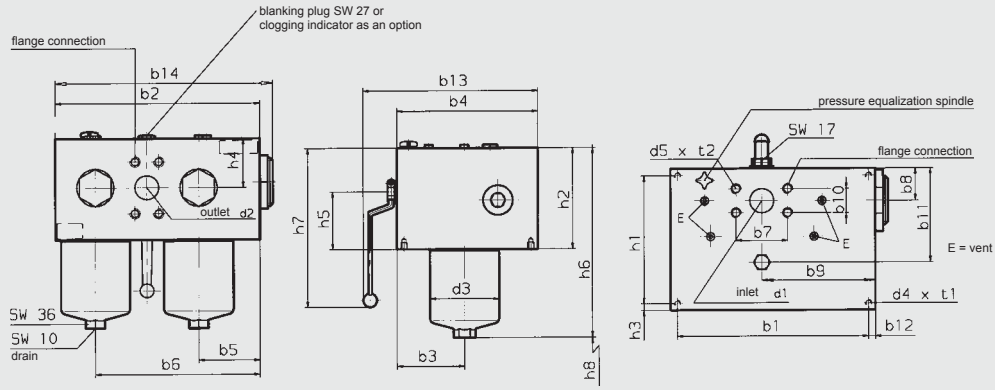
DFDK 30 - 280



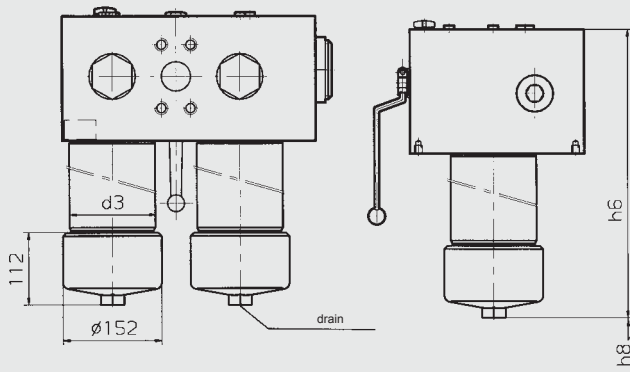
* SAE connection 6000 psi

DFDK	30	60	110	140	160	240	280
b1	130	138	138	138	190	190	190
b2	145	170	170	170	210	210	210
b4	80	92	92	92	128	128	128
b5	35	45	45	45	52.5	52.5	52.5
b6	96	121.5	121.5	121.5	157.5	157.5	157.5
b7	47	54	54	54	75.5	75.5	75.5
b8	22,8	26	26	26	35.5	35.5	35.5
b9	80,9	87	87	87	105	105	105
b10	80,9	48,5	48,5	48,5	52,5	52,5	52,5
b11	59	54	54	54	75,5	75,5	75,5
b12	7,5	16	16	16	10	10	10
b13 (≈)	131	150	150	150	193	193	193
b14 (≈)	155	181	181	181	221	221	221
d1*	G ½	G ¾	G ¾	G ¾	G 1½	G 1½	G 1½
d2*	G ½	G ¾	G ¾	G ¾	G 1½	G 1½	G 1½
d3	52,2	68,2	68,2	68,2	95,2	95,2	95,2
d4	M6	M6	M6	M6	M10	M10	M10
h1	64	78	78	78	96	96	96
h2	80	117	117	117	162	162	162
h3	8	19,5	19,5	19,5	33	33	33
h4	47	64,5	64,5	64,5	106	106	106
h5	43	76	76	76	100	100	100
h6	171	204,5	272,0	315,5	282,5	342,5	524,5
h7 (≈)	180	205	205	205	245	245	245
h8	75	75	75	75	85	85	85
h9	5	5	5	5	5	5	5
t1	7	7	7	7	11	11	11
SW1	24	27	27	27	32	32	32
SW2	6	10	10	10	10	10	10
SW3	9	12	12	12	14	14	14
Weight incl. element [kg]	7,4	15,0	17,0	18,9	33,0	36,0	45,0
Volume of pressure chamber [l]	2x0,13	2x0,20	2x0,33	2x0,40	2x0,60	2x0,80	2x1,60

DFDK 330 - 660..1.x



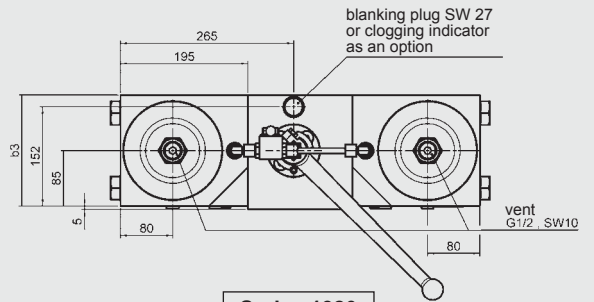
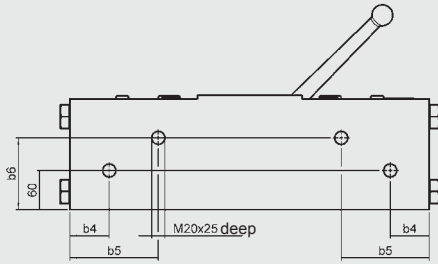
DFDK 660 - 1320..2.x



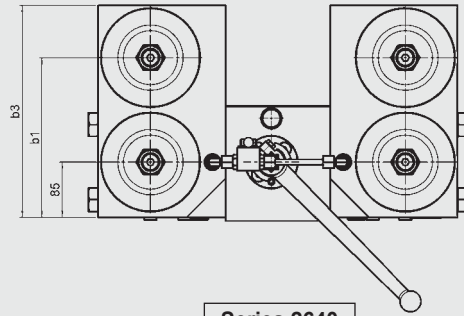
* SAE connection 6000 psi

DFDK	330	500	660 1.x	660 2.x	990	1320
b1	359	359	359	359	359	359
b2	385	385	385	385	385	385
b3	127	127	127	127	127	127
b4	265	265	265	265	265	265
b5	115	115	115	115	115	115
b6	309	309	309	309	309	309
b7	96.8	96.8	96.8	96.8	96.8	96.8
b8	60.5	60.5	60.5	60.5	60.5	60.5
b9	212	212	212	212	212	212
b10	44.5	44.5	44.5	44.5	44.5	44.5
b11	175.5	175.5	175.5	175.5	175.5	175.5
b12	13	13	13	13	13	13
b13 (≈)	326	326	326	326	326	326
b14 (≈)	405	405	405	405	405	405
d1*	DN 50 (2")	DN 50 (2")	DN 50 (2")	DN 50 (2")	DN 50 (2")	DN 50 (2")
d2*	DN 50 (2")	DN 50 (2")	DN 50 (2")	DN 50 (2")	DN 50 (2")	DN 50 (2")
d3	130.2	130.2	130.2	130	130	130
d4	M12	M12	M12	M12	M12	M12
d5	M20	M20	M20	M20	M20	M20
h1	239	239	239	239	239	239
h2	190	190	190	190	190	190
h3	13	13	13	13	13	13
h4	98	98	98	98	98	98
h5	108	108	108	108	108	108
h6	357.5	450.5	527.0	521.5	677.5	843.5
h7 (≈)	309	309	309	309	309	309
h8	95	95	95	95	500	670
t1	13	13	13	13	13	13
t2	27	27	27	27	27	27
Weight incl. element [kg]	151.5	159.0	165.0	171.0	184.4	202.4
Volume of pressure chamber [l]	2x1.50	2x2.20	2x3.00	2x3.00	2x4.50	2x6.00

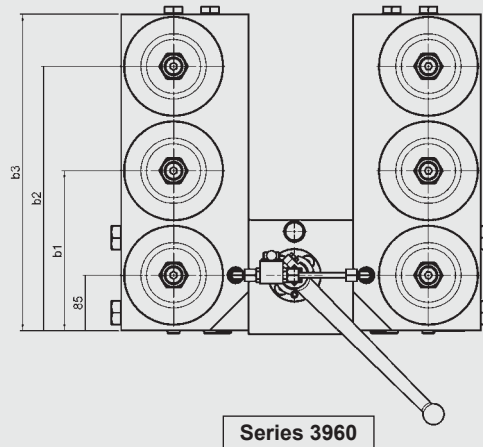
DFDK top-removable models 1320, 2640, 3960 ... 3.x



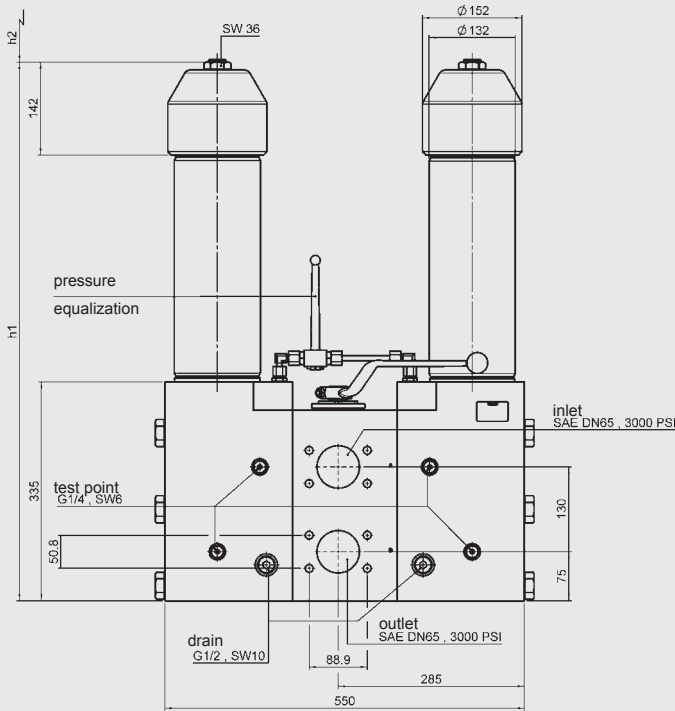
Series 1320



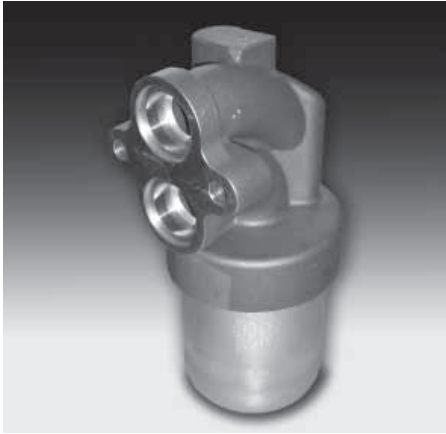
Series 2640



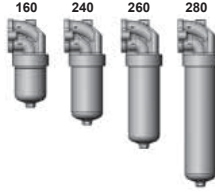
Series 3960



DFDK	1320 ... 3.x	2640 ... 3.x	3960 ... 3.x
b1	-	245	245
b2	-	-	405
b3	170	325	485
b4	60	135	135
b5	135	135	135
b6	110	265	425
h1	991	991	991
h2	570	570	570
Weight incl. element [kg]	approx. 250	approx. 445	approx. 640
Vol. of pressure chamber [l]	2 x 7.00	2 x 14.00	2 x 20.00



Inline Filter LPF...D A Flange-Mounted up to 280 l/min, up to 25 bar



1. TECHNICAL SPECIFICATIONS

1.1 FILTER HOUSING

Construction

The filter housings are designed in accordance with international regulations. They consist of a filter head and a screw-in filter bowl.

Standard equipment:

- bypass valve
- connection for a clogging indicator

1.2 FILTER ELEMENTS

HYDAC filter elements are validated and their quality is constantly monitored according to the following standards:

- ISO 2941
- ISO 2942
- ISO 2943
- ISO 3724
- ISO 3968
- ISO 11170
- ISO 16889

Contamination retention capacities in g

LPF...D A	Betamicon (BN4HC)			
	3 µm	5 µm	10 µm	20 µm
160	19.8	22.2	23.5	24.3
240	32.3	36.3	38.4	39.6
260	16.4	52.0	55.0	56.9
280	70.6	79.3	83.9	86.6

Filter elements are available with the following pressure stability values:

Betamicon® (BN4HC): 20 bar
Wire mesh (W/HC): 20 bar

1.3 FILTER SPECIFICATIONS

Nominal pressure	25 bar
Fatigue strength	At nominal pressure 10 ⁶ cycles from 0 to nominal pressure
Temperature range	-30 °C to +100 °C
Material of filter head	Aluminium
Material of filter bowl	Aluminium
Type of clogging indicator	VM (differential pressure measurement up to 210 bar operating pressure)
Pressure setting of the clogging indicator	5 bar (others on request)
Bypass cracking pressure	6 bar (others on request)

1.4 SEALS

NBR (= Perbunan)

1.5 INSTALLATION

As inline filter

1.6 SPECIAL MODELS AND ACCESSORIES

- Without bypass valve
- Without port (no clogging indicator)
- With bowl locking clip (only possible for size 160)

1.7 SPARE PARTS

See Original Spare Parts List

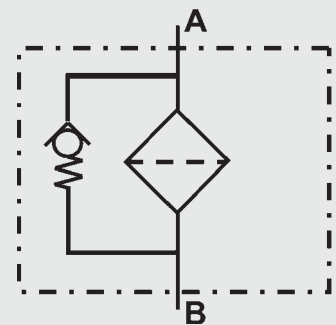
1.8 CERTIFICATES AND APPROVALS

On request

1.9 COMPATIBILITY WITH HYDRAULIC FLUIDS ISO 2943

- Hydraulic oils H to HLPD DIN 51524
- Lubrication oils DIN 51517, API, ACEA, DIN 51515, ISO 6743
- Compressor oils DIN 51506
- Biodegradable operating fluids VDMA 24568 HETG, HEES, HEPG
- Fire-resistant fluids HFA, HFB, HFC and HFD
- Operating fluids with high water content (>50% water content) on request

Symbol for hydraulic systems



2. MODEL CODE (also order example)

LPF BN/HC 160 D A 10 D 1 . X /-L24

2.1 COMPLETE FILTER

Filter type _____

LPF

Filter material _____

BN/HC Betamicron® (BN4HC)

W/HC Wire mesh

Size of filter or element _____

LPF...D A 160, 240, 260, 280

Operating pressure _____

D = 25 bar

Type and size of connection _____

A 2 mounting holes

Filtration rating in µm _____

BN4HC : 3, 5, 10, 20

W/HC : 25, 50, 100, 200

Type of clogging indicator _____

W without port (no clogging indicator)

Y plastic blanking plug in indicator port

A steel blanking plug in indicator port

B visual

C electrical

D visual and electrical

for other clogging indicators,
see brochure no. 7.050../..

Type code _____

1

Modification number _____

X the latest version is always supplied

Supplementary details _____

B. special cracking pressure of bypass (e.g. B6 = 6 bar)

GS bowl locking clip (only possible on LPF 160 D A)

KB without bypass valve

L... light with appropriate voltage (24, 48, 110, 220 Volt)

LED 2 light-emitting diodes 24 Volt

V FPM seals

W suitable for HFA and HFC emulsions

] only for clogging indicators
type "D"

2.2 REPLACEMENT ELEMENT

0160 D 010 BN4HC /-V

Size _____

0160, 0240, 0260, 0280

Type _____

D

Filtration rating in µm _____

BN4HC : 003, 005, 010, 020

W/HC : 025, 050, 100, 200

Filter material _____

BN4HC, W/HC

Supplementary details _____

V (for descriptions, see point 2.1)

2.3 REPLACEMENT CLOGGING INDICATOR

VM 5 D . X /-L24

Type of indicator _____

VM Differential pressure indicator up to 210 bar operating pressure

Pressure setting _____

5 standard 5 bar, others on request

Type of clogging indicator _____

D (see point 2.1)

Modification number _____

X the latest version is always supplied

Supplementary details _____

L..., LED, V, W (for descriptions, see point 2.1)

3. FILTER CALCULATION / SIZING

The total pressure drop of a filter at a certain flow rate Q is the sum of the housing Δp and the element Δp and is calculated as follows:

$$\Delta p_{\text{total}} = \Delta p_{\text{housing}} + \Delta p_{\text{element}}$$

$$\Delta p_{\text{housing}} = (\text{see Point 3.1})$$

$$\Delta p_{\text{element}} = Q \cdot \frac{SK^*}{1000} \cdot \frac{\text{viscosity}}{30}$$

(*see Point 3.2)

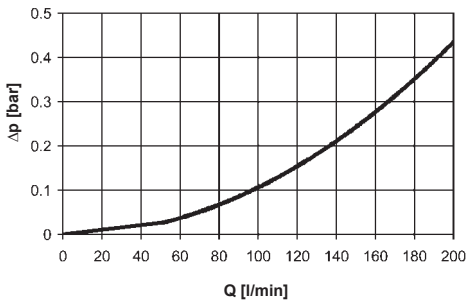
For ease of calculation, our Filter Sizing Program is available on request free of charge.

NEW: Sizing online at www.hydac.com

3.1 Δp -Q HOUSING CURVES BASED ON ISO 3968

The housing curves apply to mineral oil with a density of 0.86 kg/dm³ and a kinematic viscosity of 30 mm²/s. In this case, the differential pressure changes proportionally to the density.

LPF 160, 240, 260, 280

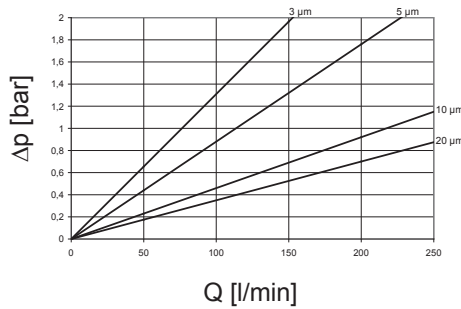


3.2 GRADIENT COEFFICIENTS (SK) FOR FILTER ELEMENTS

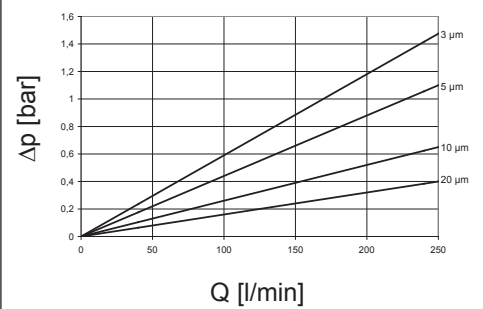
The gradient coefficients in mbar/(l/min) apply to mineral oils with a kinematic viscosity of 30 mm²/s. The pressure drop changes proportionally to the change in viscosity.

LPF...	BN4HC				W/HC
	3 μm	5 μm	10 μm	20 μm	–
160	13.1	8.8	4.6	3.5	0.284
240	8.2	6.1	3.6	2.3	0.189
260	5.9	4.4	2.6	1.6	0.131
280	4.0	3.1	1.7	1.3	0.089

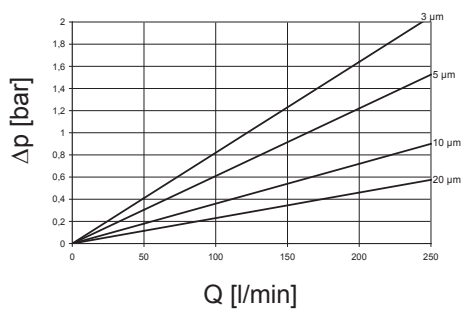
BN4HC: LPF 160



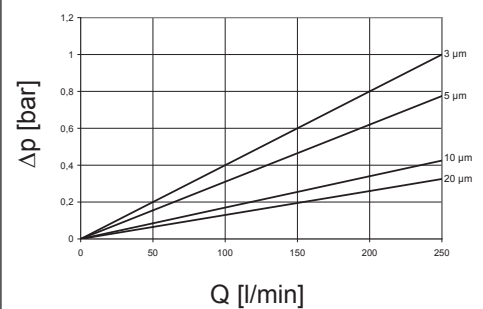
BN4HC: LPF 260



BN4HC: LPF 240

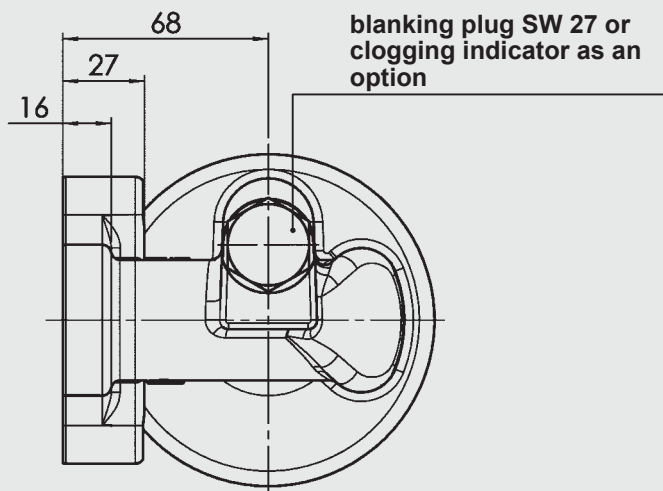
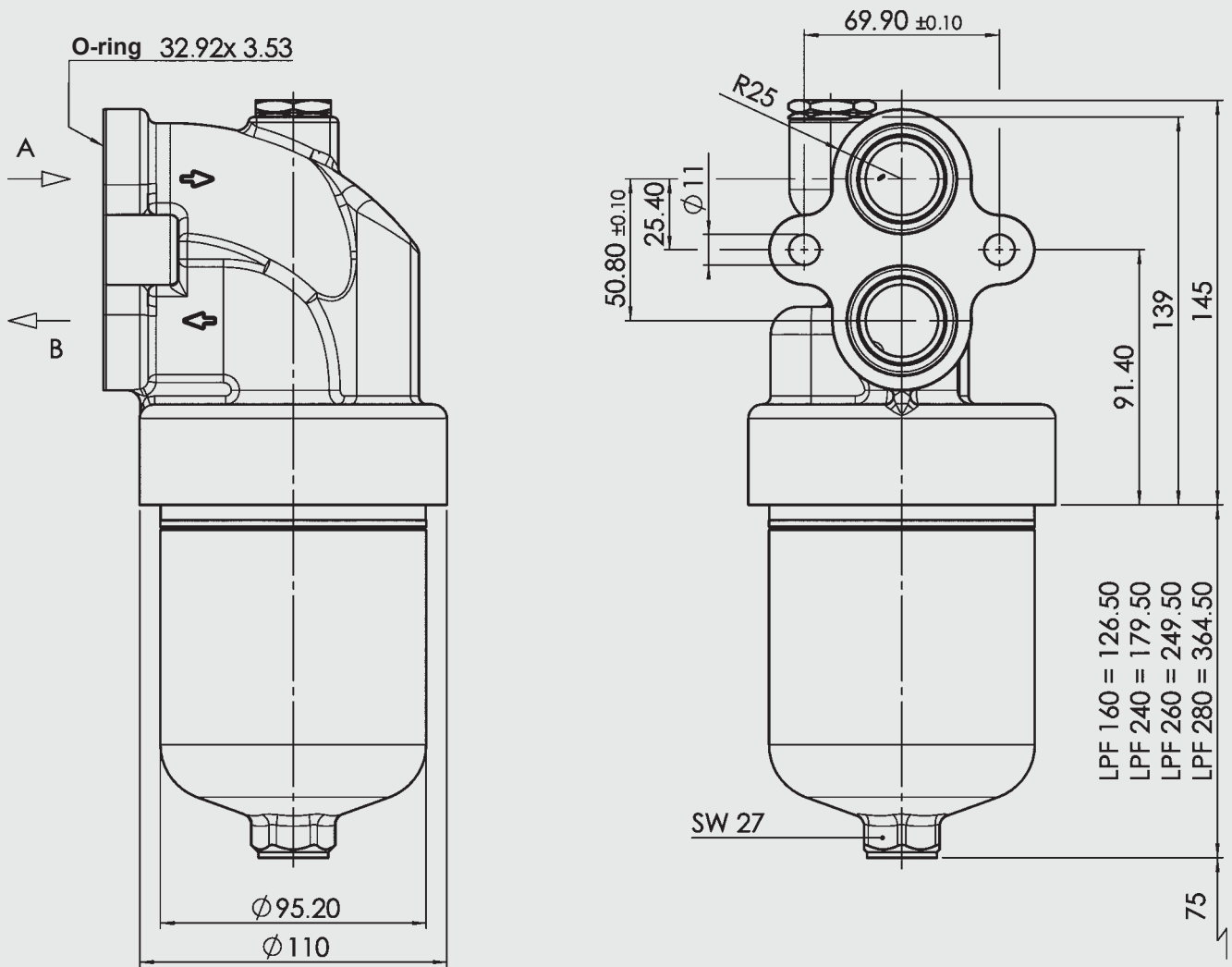


BN4HC: LPF 280



4. DIMENSIONS

LPF 160 – 280 D A



LPF...D A	Weight incl. element [kg]	Volume of pressure chamber [l]
160	2.30	0.60
240	2.50	0.90
260	2.90	1.40
260	3.50	2.00

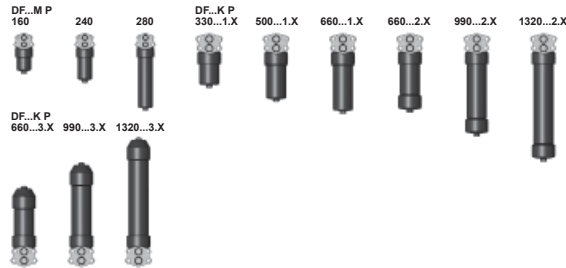
NOTE

The information in this brochure relates to the operating conditions and applications described.
 For applications or operating conditions not described, please contact the relevant technical department.
 Subject to technical modifications.

HYDAC FILTERTECHNIK GMBH
 Industriegebiet
66280 Sulzbach/Saar, Germany
 Tel.: 0 68 97 / 509-01
 Fax: 0 68 97 / 509-300
 Internet: www.hydac.com
 E-mail: filter@hydac.com



Pressure Filter DF...K P, DF...M P, Flange Mounted up to 550 l/min, up to 260 bar



1. TECHNICAL SPECIFICATIONS

1.1 FILTER HOUSING

Construction

The filter housings are designed in accordance with international regulations. They consist of a filter head and a screw-in filter bowl.

Standard equipment:

- mounting holes in the filter head
- bypass valve built into the head
- two-piece bowl for size DF...990 and above (optional for size DF...660 and above)
- connection for a clogging indicator
- drain screw with pressure relief (standard for size DF...330 and above)

1.2 FILTER ELEMENTS

HYDAC filter elements are validated and their quality is constantly monitored according to the following standards:

- ISO 2941, ISO 2942, ISO 2943, ISO 3724, ISO 3968, ISO 11170, ISO 16889

Contamination retention capacities in g

DF...	Betamicon® (BN4HC)			
	3 µm	5 µm	10 µm	20 µm
160	19.8	22.2	23.5	24.3
240	32.3	36.3	38.4	39.6
280	70.6	79.3	83.9	86.6
330	47.2	53.1	56.1	57.9
500	76.9	86.5	91.5	94.4
660	102.2	114.9	121.5	125.4
990	154.5	173.7	183.7	189.5
1320	209.9	236.0	249.6	257.5

DF...	Betamicon® (BH4HC)			
	3 µm	5 µm	10 µm	20 µm
160	12.9	12.6	13.9	15.9
240	21.6	21.1	23.2	26.5
280	48.1	47.1	51.8	59.1
330	34.6	33.9	37.2	42.5
500	57.5	56.3	61.8	70.5
660	76.8	75.2	82.6	94.3
990	111.8	109.4	120.2	137.2
1320	153.8	150.7	165.5	188.8

Filter elements are available with the following pressure stability values:

- Betamicon® (BN4HC): 20 bar
- Betamicon (BH4HC): 210 bar
- Wire mesh (W/HC): 20 bar
- Stainless steel fibre (V): 210 bar

1.3 FILTER SPECIFICATIONS

Nominal pressure	260 bar (size 160 – 280) 180 bar (size 330 – 1320)
Fatigue strength	At nominal pressure 10 ⁶ cycles from 0 to nominal pressure
Temperature range	-10 °C to +100 °C (-30 °C to -10 °C: p _{max} = 0.5 x nom. press.)
Material of filter head	EN-GJS-400-15
Material of filter bowl	Steel
Type of clogging indicator	VD (differential pressure measurement up to 420 bar operating pressure)
Pressure setting of the clogging indicator	5 bar (others on request)
Bypass cracking pressure (optional)	6 bar (others on request)

1.4 SEALS

NBR (= Perbunan)

1.5 INSTALLATION

As pressure filter for flange mounting

1.6 SPECIAL MODELS AND ACCESSORIES

- Seals in FPM, EPDM
- Without clogging indicator connection
- Filter in top-removable version (version 3.x; only for size 660 to 1320 with two-piece bowl)
- Test and approval certificates

1.7 SPARE PARTS

See Original Spare Parts List

1.8 CERTIFICATES AND APPROVALS

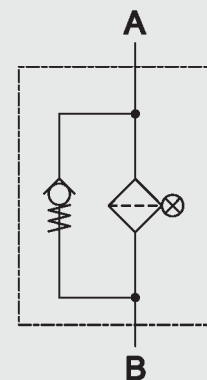
On request

1.9 COMPATIBILITY WITH

HYDRAULIC FLUIDS ISO 2943

- Hydraulic oils H to HLPD DIN 51524
- Lubrication oils DIN 51517, API, ACEA, DIN 51515, ISO 6743
- Compressor oils DIN 51506
- Biodegradable operating fluids VDMA 24568 HETG, HEES, HEPG
- Fire-resistant fluids HFA, HFB, HFC and HFD
- Operating fluids with high water content (>50% water content) on request

Symbol for hydraulic systems



2. MODEL CODE (also order example)

DF BH/HC 240 M P 10 D 1 . X /-B6-L24

2.1. COMPLETE FILTER

Filter type

DF... flange mounted

Filter material of element

BN/HC Betamicron® (BN4HC)
 BH/HC Betamicron® (BH4HC)
 W/HC Stainless steel wire mesh
 V Stainless steel fibre

Size of filter or element

DF...K P: 330, 500, 660, 990, 1320
 DF...M P: 160, 240, 280

Operating pressure

K = 180 bar
 M = 260 bar

Type and size of connection

P = 2 mounting holes

Filtration rating in µm

BN/HC, BH/HC, V: 3, 5, 10, 20
 W/HC: 25, 50, 100, 200

Type of clogging indicator

Y plastic blanking plug in indicator port
 A steel blanking plug in indicator port
 B visual
 C electrical
 D visual and electrical
 for other clogging indicators see brochure no. 7.050../..

Type code (TKZ)

1 model with one-piece filter bowl (up to size 660)
 2 model with two-piece filter bowl (size 660 and above)
 3 top-removable model (size 660 and above; only with two-piece bowl)

Modification number

X the latest version is always supplied

Supplementary details

B. bypass cracking pressure (e.g. B6 = 6 bar); without details = without bypass valve
 L... light with appropriate voltage (24, 48, 110, 220 Volt)
 LED 2 light-emitting diodes up to 24 Volt
 V FPM seals
 W suitable for HFA and HFC emulsions
 only for clogging indicator type "D"

2.2 REPLACEMENT ELEMENT

0240 D 010 BH4HC /-V

Size

0160, 0240, 0280, 0330, 0500, 0660, 0990, 1320

Type

D

Filtration rating in µm

BN4HC, BH4HC, V: 003, 005, 010, 020
 W/HC: 025, 050, 100, 200

Filter material

BN4HC, BH4HC, V, W/HC

Supplementary details

V, W (for descriptions, see point 2.1)

2.3 REPLACEMENT CLOGGING INDICATOR

VD 5 D . X /-L24

Type

VD Differential pressure indicator up to 420 bar operating pressure

Pressure setting

5 standard 5 bar, others on request

Type of clogging indicator

D (see Point 2.1)

Modification number

X the latest version is always supplied

Supplementary details

L..., LED, V, W (for descriptions, see point 2.1)

3. FILTER CALCULATION / SIZING

The total pressure drop of a filter at a certain flow rate Q is the sum of the housing Δp and the element Δp and is calculated as follows:

$$\Delta p_{\text{total}} = \Delta p_{\text{housing}} + \Delta p_{\text{element}}$$

$$\Delta p_{\text{housing}} = (\text{see Point 3.1})$$

$$\Delta p_{\text{element}} = Q \cdot \frac{SK^*}{1000} \cdot \frac{\text{viscosity}}{30}$$

(*see Point 3.2)

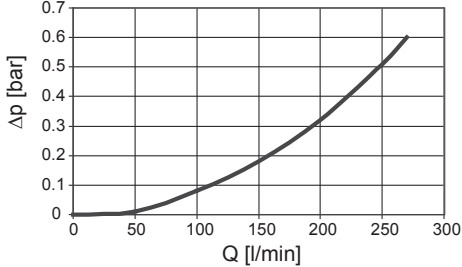
For ease of calculation, our Filter Sizing Program is available on request free of charge.

NEW: Sizing online at www.hydac.com

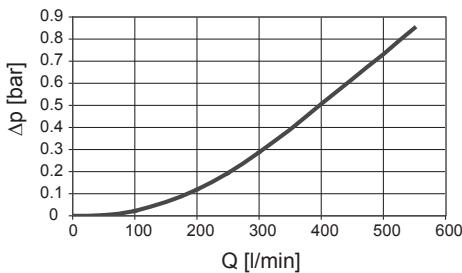
3.1 Δp -Q HOUSING CURVES BASED ON ISO 3968

The housing curves apply to mineral oil with a density of 0.86 kg/dm³ and a kinematic viscosity of 30 mm²/s. In this case, the differential pressure changes proportionally to the density.

DF 160, 240, 280 M P



DF 330, 500, 660, 990, 1320 K P

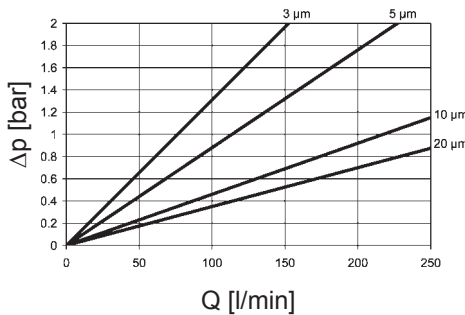


3.2 GRADIENT COEFFICIENTS (SK) FOR FILTER ELEMENTS

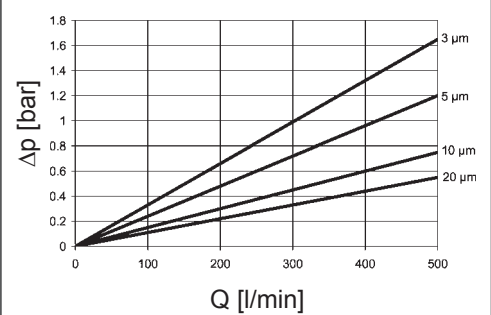
The gradient coefficients in mbar/(l/min) apply to mineral oils with a kinematic viscosity of 30 mm²/s. The pressure drop changes proportionally to the change in viscosity.

DF...	V				W/HC	BH4HC			
	3 μm	5 μm	10 μm	20 μm		–	3 μm	5 μm	10 μm
160	4.6	3.2	2.3	1.4	0.284	16.8	10.4	5.9	4.4
240	3.1	2.5	1.7	1.1	0.189	10.6	6.8	3.9	2.9
280	2.3	1.7	1.2	0.8	0.162	5.7	3.4	1.8	1.6
330	2.2	1.8	1.2	0.8	0.138	7.7	4.5	2.8	2.0
500	1.5	1.2	0.8	0.5	0.091	4.2	2.6	1.5	1.2
660	1.1	0.9	0.6	0.4	0.069	3.3	1.9	1.0	0.9
990	0.8	0.6	0.4	0.3	0.046	2.2	1.3	0.8	0.6
1320	0.6	0.5	0.3	0.2	0.035	1.6	1.0	0.6	0.4

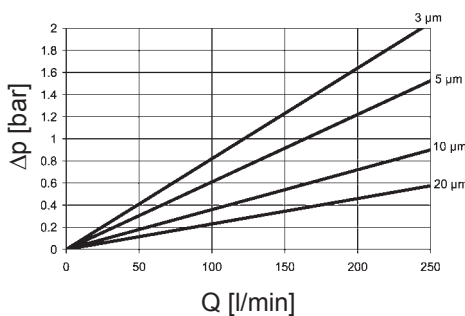
BN4HC: DF... 160



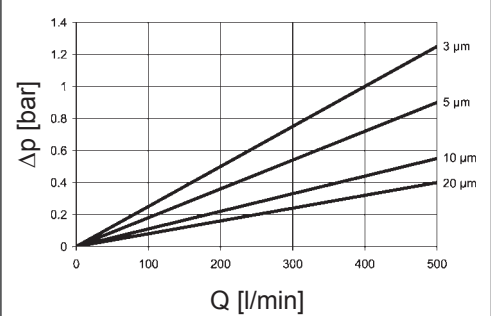
BN4HC: DF... 500



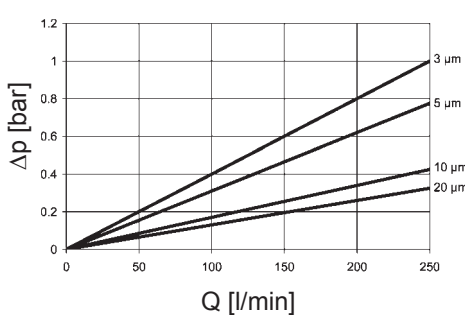
BN4HC: DF... 240



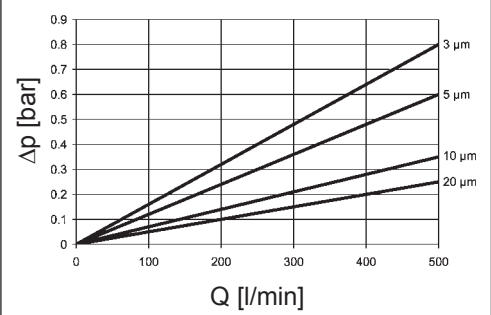
BN4HC: DF... 660



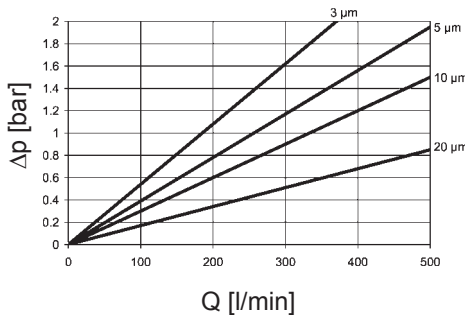
BN4HC: DF... 280



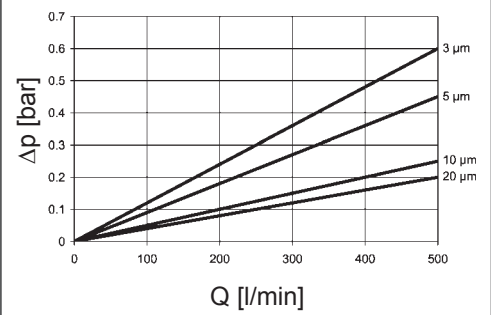
BN4HC: DF... 990



BN4HC: DF... 330

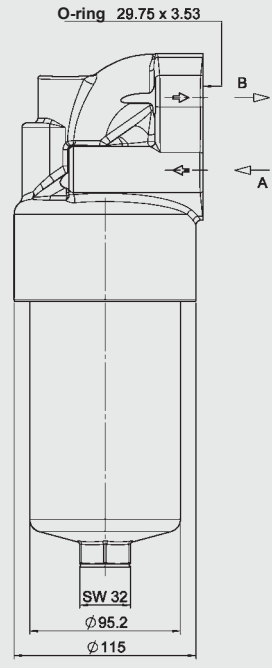
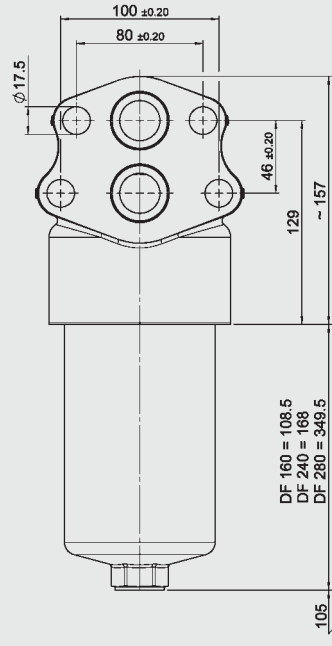


BN4HC: DF... 1320

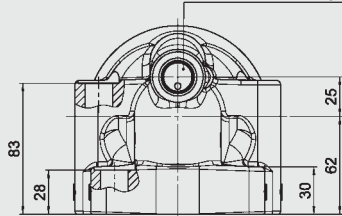


4. DIMENSIONS

DF 160, 240, 280 M P...

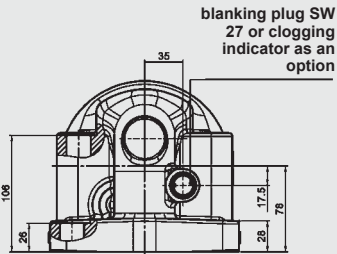
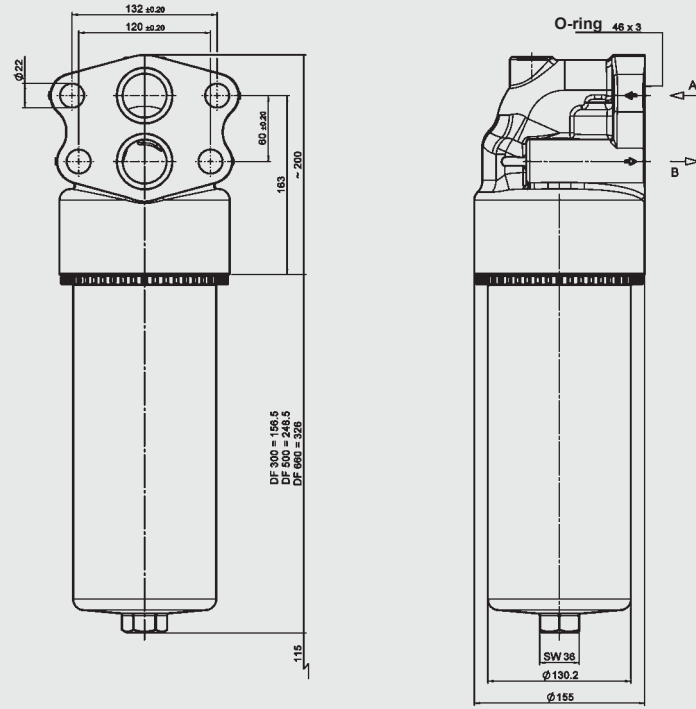


blanking plug SW 27 or
clogging indicator as
an option

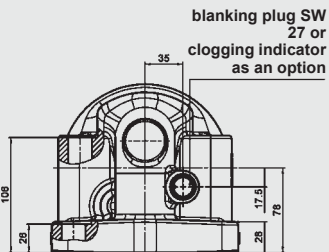
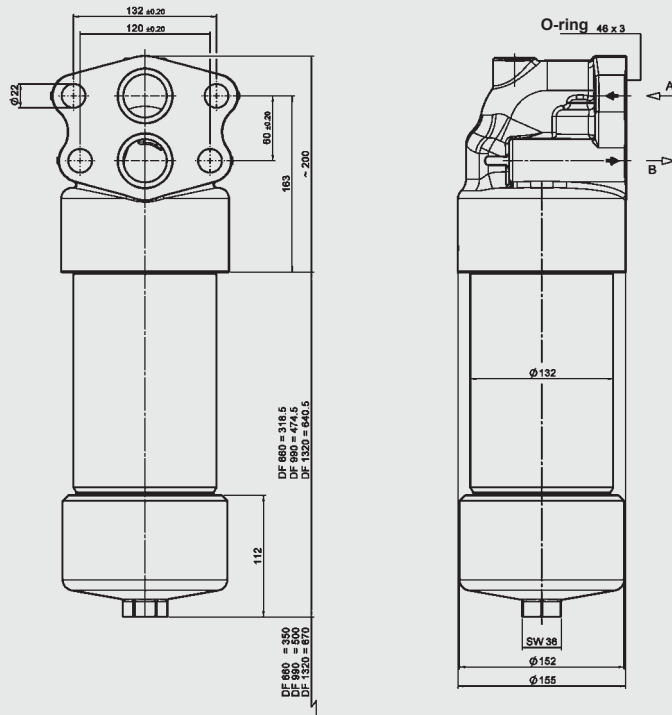


DF...M P	Weight incl. element [kg]	Vol. of pressure chamber [l]
160	9.3	0.6
240	10.6	0.8
280	14.6	1.6

DF 330 - 660 K P...1.X

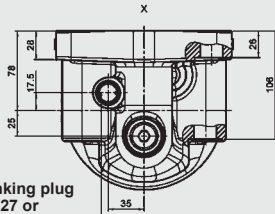
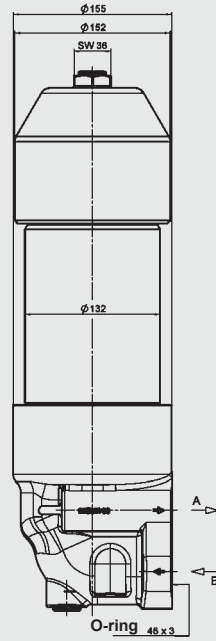
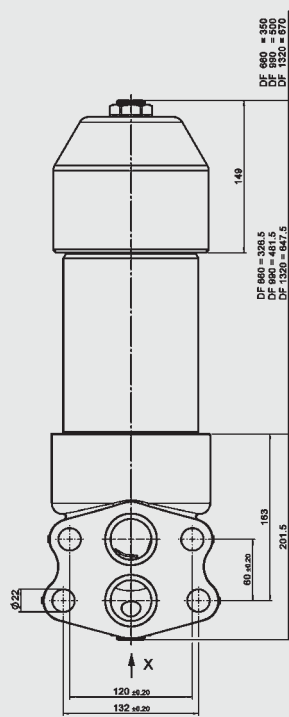


DF 660 - 1320 K P...2.X



DF...K P	Weight incl. element [kg]	Vol. of pressure chamber [l]
330	21.1	1.5
500	24.9	2.3
660...1.x	28.0	3.0
660...2.x	31.1	3.0
990	37.9	4.2
1320	45.2	5.6

DF 660 - 1320 K P...3.X



blanking plug
SW 27 or
clogging indicator
as an option

DF...K P	Weight incl. element [kg]	Vol. of pressure chamber [l]
660	31.5	3.0
990	36.3	4.2
1320	45.6	5.6

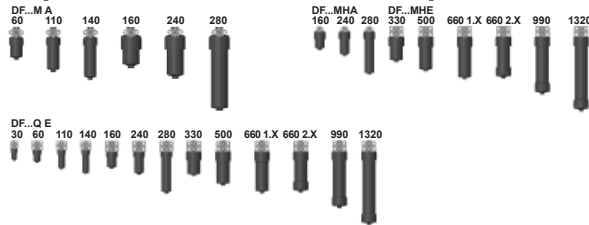
NOTE

The information in this brochure relates to the operating conditions and applications described. For applications and operating conditions not described, please contact the relevant technical department. Subject to technical modifications.

HYDAC FILTERTECHNIK GMBH
Industriegebiet
D-66280 Sulzbach/Saar, Germany
Tel.: 0 68 97 / 509-01
Fax: 0 68 97 / 509-300
Internet: www.hydac.com
E-mail: filter@hydac.com



Pressure Filter DF...M A, DF...Q E, DF...MHA, DF...MHE Flange Mounted up to 550 l/min, up to 315 bar



1. TECHNICAL SPECIFICATIONS

1.1 FILTER HOUSING

Construction

The filter housings are designed in accordance with international regulations. They consist of a filter head and a screw-in filter bowl.

Standard equipment:

- mounting holes in the filter head
- two-piece bowl for size DF...990 and above (optional for size DF...660)
- drain screw with pressure relief (standard for size DF...330 and above)

1.2 FILTER ELEMENTS

HYDAC filter elements are validated and their quality is constantly monitored according to the following standards:

- ISO 2941
- ISO 2942
- ISO 2943
- ISO 3724
- ISO 3968
- ISO 11170
- ISO 16889

Contamination retention capacities in g

DF...	Betamicon® (BN4HC)			
	3 µm	5 µm	10 µm	20 µm
30	4.6	5.1	5.4	5.6
60	6.5	7.3	7.8	8.0
110	13.8	15.5	16.4	16.9
140	18.1	20.3	21.5	22.2
160	19.8	22.2	23.5	24.3
240	32.3	36.3	38.4	39.6
280	70.6	79.3	83.9	86.6
330	47.2	53.1	56.1	57.9
500	76.9	86.5	91.5	94.4
660	102.2	114.9	121.5	125.4
990	154.5	173.7	183.7	189.5
1320	209.9	236.0	249.6	257.5

DF...	Betamicon® (BH4HC)			
	3 µm	5 µm	10 µm	20 µm
30	3.0	2.9	3.2	3.7
60	4.6	4.5	5.0	5.7
110	10.1	9.9	10.9	12.4
140	13.3	13.0	14.3	16.3
160	12.9	12.6	13.9	15.9
240	21.6	21.1	23.2	26.5
280	48.1	47.1	51.8	59.1
330	34.6	33.9	37.2	42.5
500	57.5	56.3	61.8	70.5
660	76.8	75.2	82.6	94.3
990	111.8	109.4	120.2	137.2
1320	153.8	150.7	165.5	188.8

1.3 FILTER SPECIFICATIONS

Nominal pressure	DF...M A/MHA/MHE: 250 bar DF...Q E: 315 bar
Fatigue strength	10 ⁶ cycles (DF...M A/DF...Q E) 10 ⁸ cycles (DF...MHA/DF...MHE) from 0 to nominal pressure (for other pressures, see graph, Point 1.8)
Temperature range	-10 °C to +100 °C (-30 °C to -10 °C: p _{max} = 0.5 x nom. press.)
Material of filter head	EN-GJS-400-15 (DF...M A/DF...Q E) ADI (DF...MHA/DF...MHE)
Material of filter bowl	Steel
Type of clogging indicator	VD (differential pressure measurement up to 420 bar operating pressure)
Pressure setting of the clogging indicator	5 bar (others on request)
Cracking pressure of bypass (optional)	6 bar (only DF...M A / Q E)

Filter elements are available with the following pressure stability values:

- Betamicon® (BN4HC): 20 bar
- Betamicon (BH4HC): 210 bar
- Wire mesh (W/HC): 20 bar
- Stainless steel fibre (V): 210 bar

1.4 SEALS

NBR (= Perbunan)

1.5 INSTALLATION

As pressure filter for flange mounting

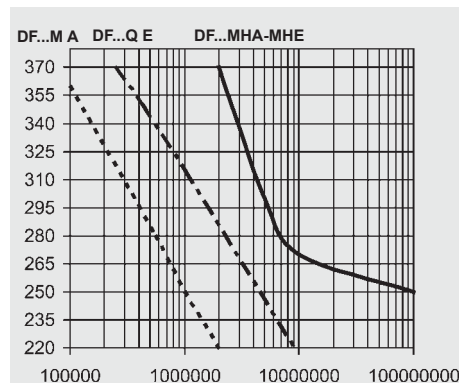
1.6 SPECIAL MODELS AND ACCESSORIES

- Bypass valve built into the head, separate from the main flow
- Seals in FPM, EPDM
- Test and approval certificates

1.7 SPARE PARTS

See Original Spare Parts List

1.8 FATIGUE STRENGTH



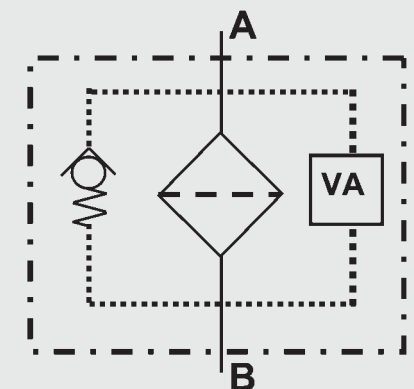
1.9 CERTIFICATES AND APPROVALS

On request

1.10 COMPATIBILITY WITH HYDRAULIC FLUIDS ISO 2943

- Hydraulic oils H to HLPD DIN 51524
- Lubrication oils DIN 51517, API, ACEA, DIN 51515, ISO 6743
- Compressor oils DIN 51506
- Biodegradable operating fluids VDMA 24568 HETG, HEES, HEPG
- Fire-resistant fluids HFA, HFB, HFC and HFD
- Operating fluids with high water content (>50% water content) on request

Symbol for hydraulic systems



VA = clogging indicator

2. MODEL CODE (also order example)

DF BN/HC 240 M H A 10 D 1 . X /-L24

2.1. COMPLETE FILTER

Filter type

DF... flange mounted

Filter material of element

BN/HC Betamicron® (BN4HC)
BH/HC Betamicron® (BH4HC)
W/HC Stainless steel wire mesh
V Stainless steel fibre

Size of filter or element

M A: 60, 110, 140, 160, 240, 280
Q E: 30, 60, 110, 140, 160, 240, 280, 330, 500, 660, 990, 1320
MHA: 160, 240, 280
MHE: 330, 500, 660, 990, 1320

Operating pressure

M = 250 bar
Q = 315 bar

Application

No details: 10⁶ cycles
H: high duty cycle, 10⁸ cycles (only for DF...MHA / DF...MHE)

Type and size of connection

A 2 mounting holes
E 4 mounting holes

Filtration rating in µm

BN/HC, BH/HC, V: 3, 5, 10, 20
W/HC: 25, 50, 100, 200

Type of clogging indicator

Y plastic blanking plug in indicator port
A steel blanking plug in indicator port
B visual
C electrical
D visual and electrical

for other clogging indicators
see brochure no. 7.050../..

Type code (TKZ)

1 model with one-piece filter bowl (up to size 660)
2 model with two-piece filter bowl (size 660 and above)

Modification number

X the latest version is always supplied

Supplementary details

B. bypass cracking pressure (e.g. B6 = 6 bar); only possible for DF...M A / DF...Q E
L... light with appropriate voltage (24, 48, 110, 220 Volt)
LED 2 light emitting diodes up to 24 Volt
OAI outlet above inlet (only for DF...160, 240, 280 Q E)
SO184 pressure release/oil drain screw (only DF...60-240)
SO348 for operating pressure $p_{max} \leq 210$ bar (type of clogging indicator = VM)
V FPM seals
W suitable for HFA and HFC emulsions

only for clogging indicators
type "D"

2.2 REPLACEMENT ELEMENT

0240 D 010 BN4HC /-V

Size

0030, 0060, 0110, 0140, 0160, 0240, 0280, 0330, 0500, 0660, 0990, 1320

Type

D

Filtration rating in µm

BN4HC, BH4HC, V: 003, 005, 010, 020
W/HC: 025, 050, 100, 200

Filter material

BN4HC, BH4HC, V, W/HC

Supplementary details

V, W (for descriptions, see point 2.1)

2.3 REPLACEMENT CLOGGING INDICATOR

VD 5 D . X /-L24

Type

VD Differential pressure indicator up to 420 bar operating pressure
VM Differential pressure indicator up to 210 bar operating pressure (only in conjunction with SO348)

Pressure setting

5 standard 5 bar, others on request

Type of clogging indicator

D (see Point 2.1)

Modification number

X the latest version is always supplied

Supplementary details

L..., LED, V, W (for descriptions, see point 2.1)

3. FILTER CALCULATION / SIZING

The total pressure drop of a filter at a certain flow rate Q is the sum of the housing Δp and the element Δp and is calculated as follows:

$$\Delta p_{\text{total}} = \Delta p_{\text{housing}} + \Delta p_{\text{element}}$$

$$\Delta p_{\text{housing}} = (\text{see Point 3.1})$$

$$\Delta p_{\text{element}} = Q \cdot \frac{SK^*}{1000} \cdot \frac{\text{viscosity}}{30}$$

(*see Point 3.2)

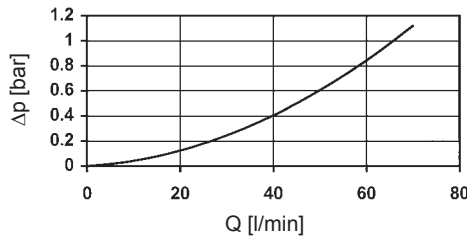
For ease of calculation, our Filter Sizing Program is available on request free of charge.

NEW: Sizing online at www.hydac.com

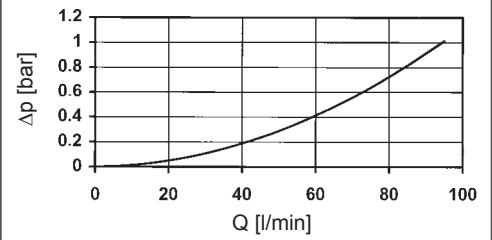
3.1 Δp -Q HOUSING CURVES BASED ON ISO 3968

The housing curves apply to mineral oil with a density of 0.86 kg/dm³ and a kinematic viscosity of 30 mm²/s. In this case, the differential pressure changes proportionally to the density.

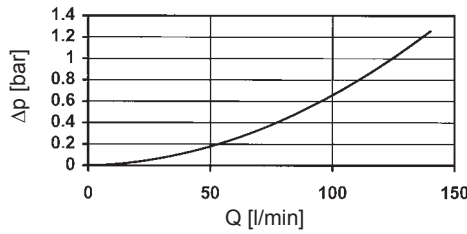
DF 60, 110, 140 M A



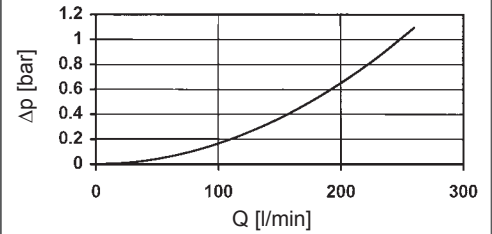
DF 60, 110, 140 QE



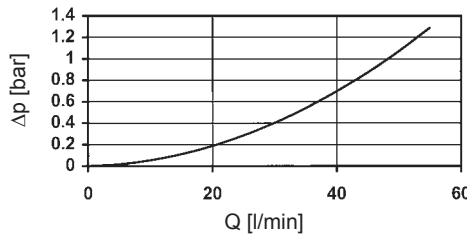
DF 160, 240, 280 M A / MHA



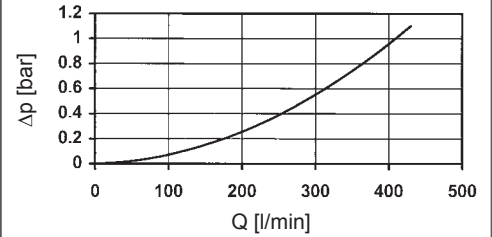
DF 160, 240, 280 Q E (also /-OAI)



DF 30 Q E



DF 330, 500, 660, 990, 1320 Q E / MHE

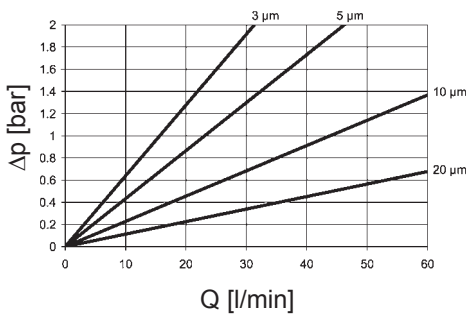


3.2 GRADIENT COEFFICIENTS (SK) FOR FILTER ELEMENTS

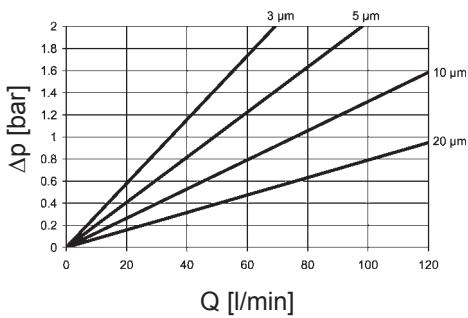
The gradient coefficients in mbar/(l/min) apply to mineral oils with a kinematic viscosity of 30 mm²/s. The pressure drop changes proportionally to the change in viscosity.

DF...	V				W/HC	BH4HC			
	3 μm	5 μm	10 μm	20 μm		–	3 μm	5 μm	10 μm
30	18.4	13.5	7.5	3.6	3.030	91.2	50.7	36.3	19.0
60	16.0	9.3	5.4	3.3	0.757	58.6	32.6	18.1	12.2
110	8.2	5.6	3.3	2.2	0.413	25.4	14.9	8.9	5.6
140	5.8	4.8	3.1	2.3	0.324	19.9	11.3	8.1	4.3
160	4.6	3.2	2.3	1.4	0.284	16.8	10.4	5.9	4.4
240	3.1	2.5	1.7	1.1	0.189	10.6	6.8	3.9	2.9
280	2.3	1.7	1.2	0.8	0.162	5.7	3.4	1.8	1.6
330	2.2	1.8	1.2	0.8	0.138	7.7	4.5	2.8	2.0
500	1.5	1.2	0.8	0.5	0.091	4.2	2.6	1.5	1.2
660	1.1	0.9	0.6	0.4	0.069	3.3	1.9	1.0	0.9
990	0.8	0.6	0.4	0.3	0.046	2.2	1.3	0.8	0.6
1320	0.6	0.5	0.3	0.2	0.035	1.6	1.0	0.6	0.4

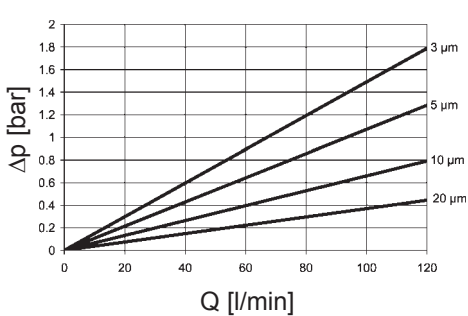
BN4HC: DF... 30



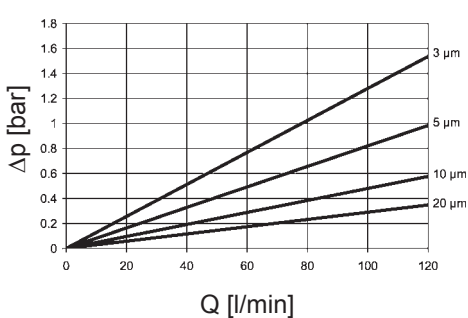
BN4HC: DF... 60



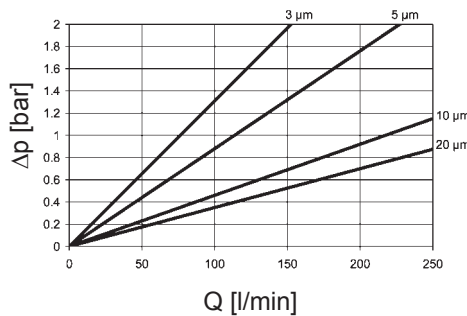
BN4HC: DF... 110



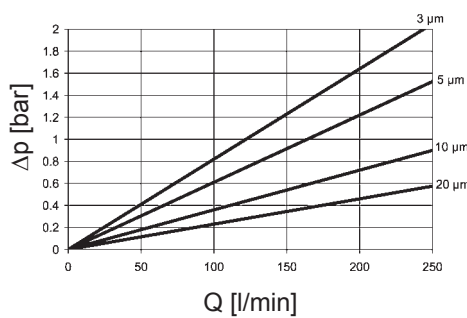
BN4HC: DF... 140



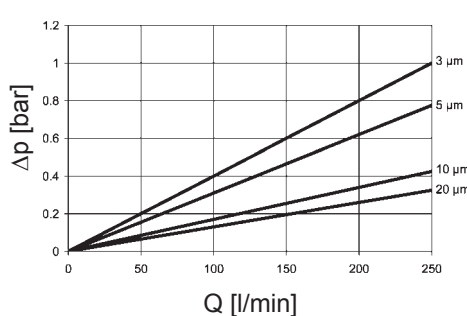
BN4HC: DF... 160



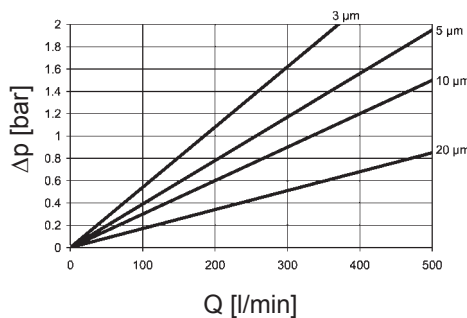
BN4HC: DF... 240



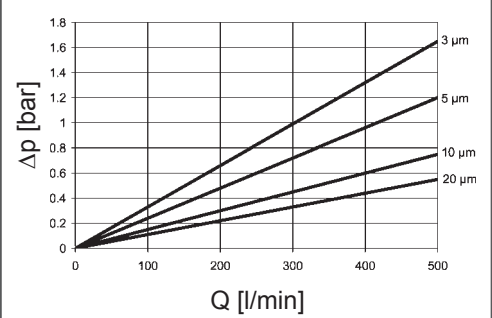
BN4HC: DF... 280



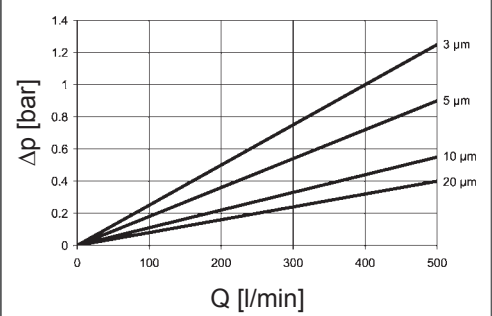
BN4HC: DF... 330



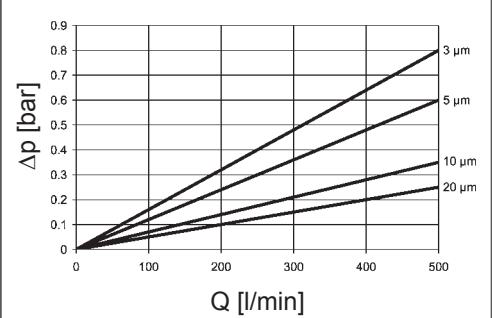
BN4HC: DF... 500



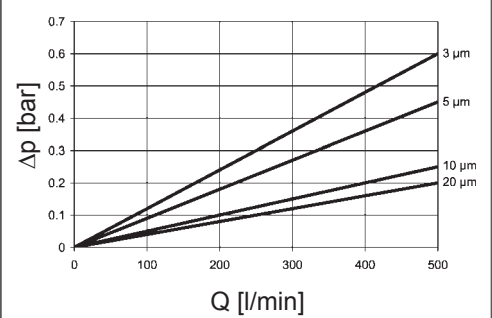
BN4HC: DF... 660



BN4HC: DF... 990

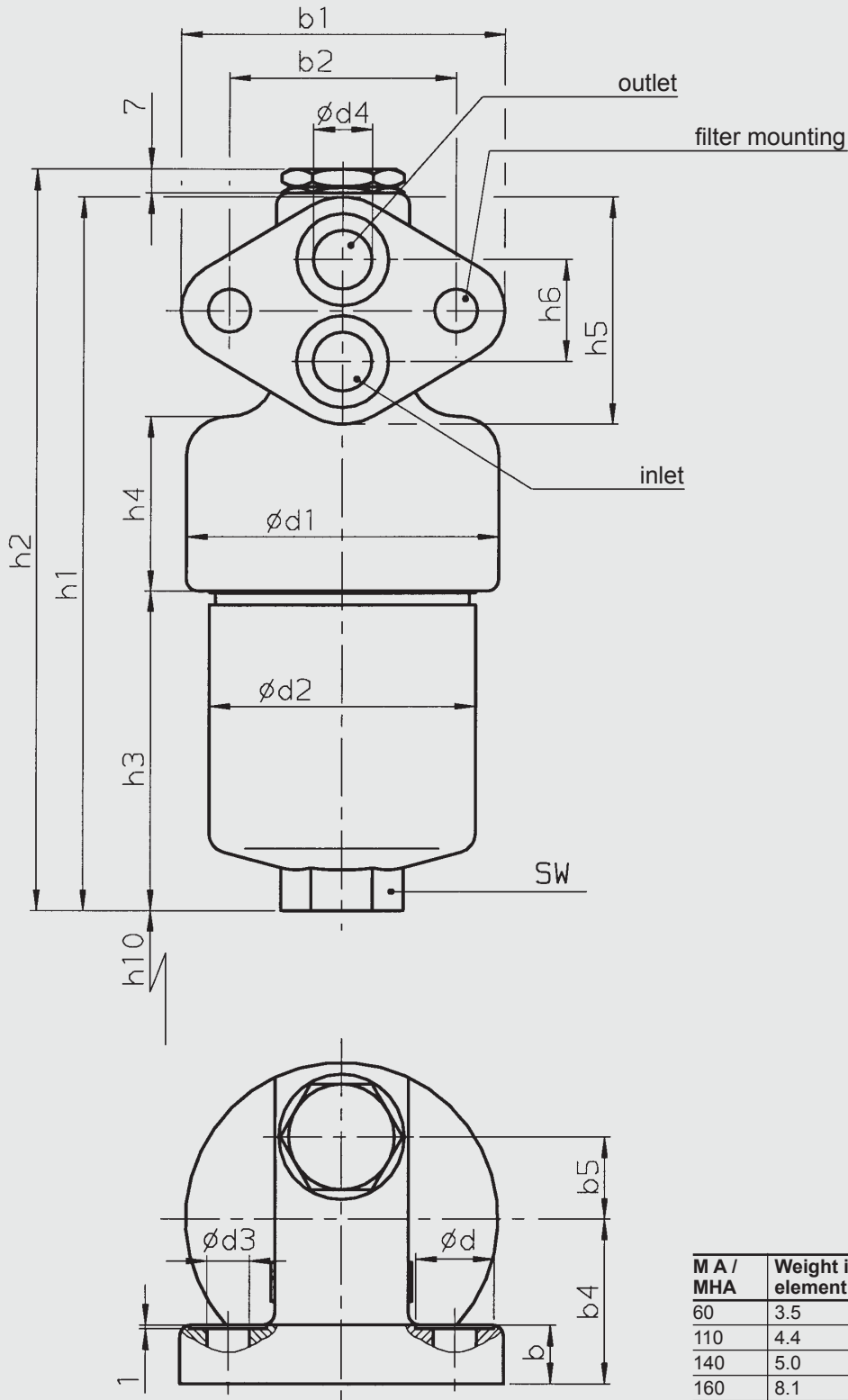


BN4HC: DF... 1320



4. DIMENSIONS

DF... MA: Size 60 - 280
 DF... MHA: Size 160 - 280

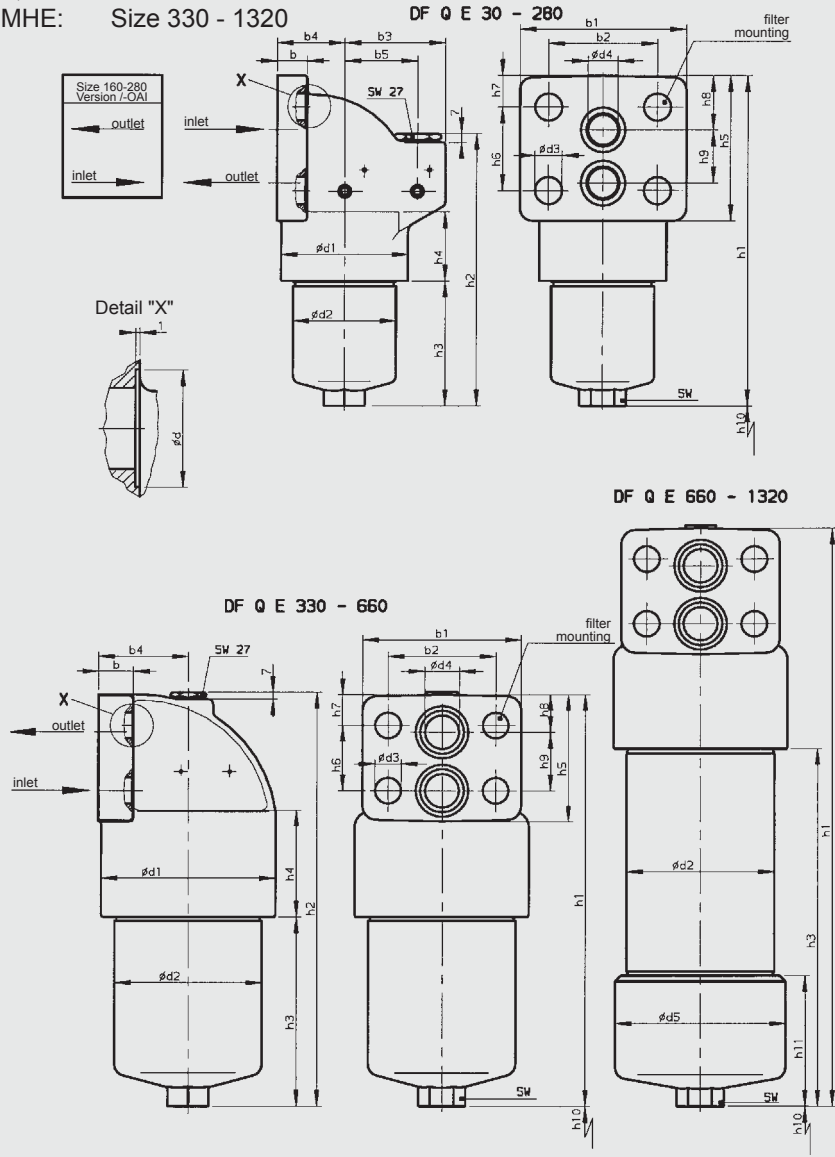


MA / MHA	Weight incl. element [kg]	Vol. of pressure chamber [l]
60	3.5	0.20
110	4.4	0.33
140	5.0	0.40
160	8.1	0.60
240	9.6	0.80
280	14.2	1.60

MA / MHA	b	b1	b2	b3	b4	b5	d	d1	d2	d3	d4	d5	h1	h2	h3	h4	h5	h6	h7	h8	h9	h10	h11	SW	O-ring ¹⁾
60	15	83	58	-	42	21	20	80	68	11	15	-	185	192	83	45	58	26	-	-	-	75	-	27	19 x 2.5
110	15	83	58	-	42	21	20	80	68	11	15	-	252.5	259.5	150.5	45	58	26	-	-	-	75	-	27	19 x 2.5
140	15	83	58	-	42	21	20	80	68	11	15	-	296	303	194	45	58	26	-	-	-	75	-	27	19 x 2.5
160	20	83	58	-	60	26	20	116	95	13.5	15	-	232	239	107	79	58	26	-	-	-	85	-	32	19 x 2.5
240	20	83	58	-	60	26	20	116	95	13.5	15	-	292	299	167	79	58	26	-	-	-	85	-	32	19 x 2.5
280	20	83	58	-	60	26	20	116	95	13.5	15	-	474	481	349	79	58	26	-	-	-	85	-	32	19 x 2.5

¹⁾ supplied

DF... Q E: Size 30 - 1320
 DF... MHE: Size 330 - 1320



Q E / MHE	Weight incl. element [kg]	Vol. of pressure chamber [l]
30	2.9	0.13
60	5.2	0.20
110	6.1	0.33
140	6.7	0.40
160 ³⁾	9.6	0.60
240 ³⁾	11.6	0.80
280 ³⁾	15.9	1.60
330	22.9	1.50
500	27.3	2.30
660	30.9	3.00
660 ²⁾	34.1	3.00
990 ²⁾	42.1	4.20
1320 ²⁾	50.3	5.60
Q E /-OAI	Weight incl. element [kg]	Vol. of pressure chamber [l]
160	10.7	0.60
240	12.7	0.80
280	17.0	1.60

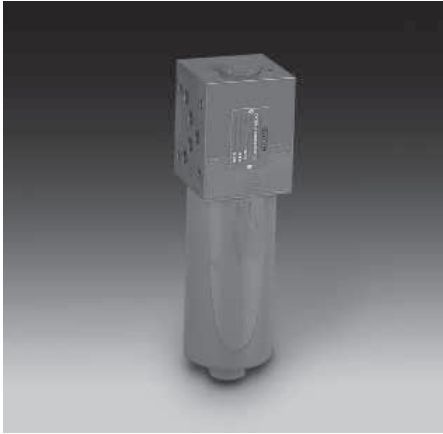
Q E / MHE	b	b1	b2	b3	b4	b5	d	d1	d2	d3	d4	d5	h1	h2	h3	h4	h5	h6	h7	h8	h9	h10	h11	SW	O-ring ¹⁾
30	18	80	57	56	37	38	20	67	52	13	14	-	197	176	78	48	76	45	15.5	30.5	28	75	-	24	18 x 2.5
60	20	110	72	66	45	48	26	84	68	18	20	-	217	181	83	45.5	94	55	19.5	34.5	35	75	-	27	24 x 3
110	20	110	72	66	45	48	26	84	68	18	20	-	284	248	150	45.5	94	55	19.5	34.5	35	75	-	27	24 x 3
140	20	110	72	66	45	48	26	84	68	18	20	-	328	292	194	45.5	94	55	19.5	34.5	35	75	-	27	24 x 3
160 ³⁾	30	140	95	89	59	69	32	116	95	22	32	-	280	222	117	61	110	60	25	31	52	85	-	32	40 x 3.5
240 ³⁾	30	140	95	89	56	69	32	116	95	22	32	-	340	282	177	61	110	60	25	31	52	85	-	32	40 x 3.5
280 ³⁾	30	140	95	89	59	69	32	116	95	22	32	-	522	464	359	61	110	60	25	31	52	85	-	32	40 x 3.5
330	30	140	95	-	79.5	-	32	154	130	23	30	-	353	357	157	94	110	58	26	32	52	115	-	36	40 x 3.5
500	30	140	95	-	79.5	-	32	154	130	23	30	-	446	450	250	94	110	58	26	32	52	115	-	36	40 x 3.5
660	30	140	95	-	79.5	-	32	154	130	23	30	-	523	527	329	94	110	58	26	32	52	115	-	36	40 x 3.5
660 ²⁾	30	140	95	-	79.5	-	32	154	132	23	30	152	517	521	321	94	110	58	26	32	52	350	112	36	40 x 3.5
990 ²⁾	30	140	95	-	79.5	-	32	154	132	23	30	152	673	677	477	94	110	58	26	32	52	500	112	36	40 x 3.5
1320 ²⁾	30	140	95	-	79.5	-	32	154	132	23	30	152	839	843	643	94	110	58	26	32	52	670	112	36	40 x 3.5
Q E /-OAI	b	b1	b2	b3	b4	b5	d	d1	d2	d3	d4	d5	h1	h2	h3	h4	h5	h6	h7	h8	h9	h10	h11	SW	O-ring ¹⁾
160	30	140	95	83	84	59	32	116	95	22	32	-	284	239	119	64	110	58	26	31	52	85	-	32	40 x 3.5
240	30	140	95	83	84	59	32	116	95	22	32	-	344	299	179	64	110	58	26	31	52	85	-	32	40 x 3.5
280	30	140	95	83	84	59	32	116	95	22	32	-	526	481	361	64	110	58	26	31	52	85	-	32	40 x 3.5

¹⁾ supplied / ²⁾ two-piece bowl version / ³⁾ not OAI

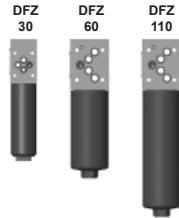
NOTE

The information in this brochure relates to the operating conditions and applications described.
 For applications or operating conditions not described, please contact the relevant technical department.
 Subject to technical modifications.

HYDAC FILTERTECHNIK GMBH
 Industriegebiet
D-66280 Sulzbach/Saar, Germany
 Tel.: 0 68 97 / 509-01
 Fax: 0 68 97 / 509-300
 Internet: www.hydac.com
 E-Mail: filter@hydac.com



Pressure Filter for Sandwich Stacking DFZ up to 80 l/min, up to 315 bar



1. TECHNICAL SPECIFICATIONS

1.1 FILTER HOUSING Construction

The filter housings are designed in accordance with international regulations. They consist of a filter head and a screw-in filter bowl.

Standard equipment:

- Service access on the right
- Without clogging indicator connection

1.2 FILTER ELEMENTS

HYDAC filter elements are validated and their quality is constantly monitored according to the following standards:

- ISO 2941
- ISO 2942
- ISO 2943
- ISO 3724
- ISO 3968
- ISO 11170
- ISO 16889

Contamination retention capacities in g

DFZ	Betamicon® (BN4HC)			
	3 µm	5 µm	10 µm	20 µm
30	4.6	5.1	5.4	5.6
60	6.5	7.3	7.8	8.0
110	13.8	15.5	16.4	16.9

DFZ	Betamicon® (BH4HC)			
	3 µm	5 µm	10 µm	20 µm
30	3.0	2.9	3.2	3.7
60	4.6	4.5	5.0	5.7
110	10.1	9.9	10.9	12.4

Filter elements are available with the following pressure stability values:

Betamicon® (BN4HC): 20 bar
 Betamicon® (BH4HC): 210 bar
 Stainless steel fibre (V): 210 bar

1.3 FILTER SPECIFICATIONS

Nominal pressure	315 bar
Fatigue strength	At nominal pressure 10 ⁶ cycles from 0 to nominal pressure
Temperature range	-30 °C to +100 °C (-30 °C to -10 °C: p _{max} = 157.5 bar)
Material of filter head	Steel
Material of filter bowl	Steel
Type of clogging indicator	VD (differential pressure measurement up to 420 bar operating pressure)
Pressure setting of the clogging indicator	8 bar (others on request)

1.4 SEALS

NBR (= Perbunan)

1.5 INSTALLATION

As pressure filter for sandwich stacking

1.6 SPECIAL MODELS AND ACCESSORIES

Port for clogging indicator

1.7 SPARE PARTS

See Original Spare Parts List

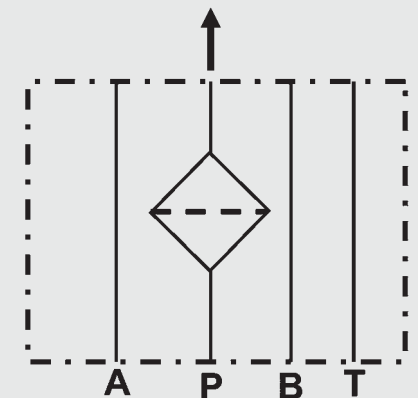
1.8 CERTIFICATES AND APPROVALS

On request

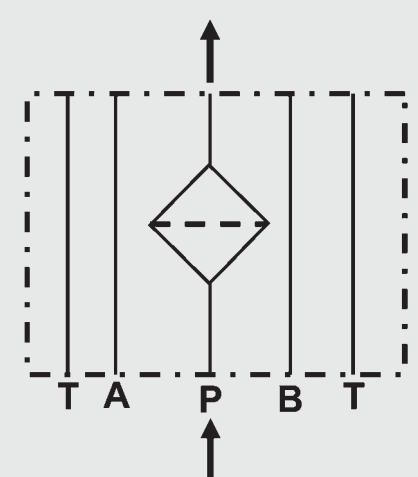
1.9 COMPATIBILITY WITH HYDRAULIC FLUIDS ISO 2943

- Hydraulic oils H to HLPD DIN 51524
- Lubrication oils DIN 51517, API, ACEA, DIN 51515, ISO 6743
- Compressor oils DIN 51506
- Biodegradable operating fluids VDMA 24568 HETG, HEES, HEPG
- Fire-resistant fluids HFA, HFB, HFC and HFD
- Operating fluids with high water content (>50% water content) on request

Symbol for hydraulic systems DFZ 30



DFZ 60/110



2. MODEL CODE (also order example)

DFZ BN/HC 60 Q C 10 D 1 . X /-L24

2.1 COMPLETE FILTER

Filter type _____

DFZ

Filter material _____

BN/HC Betamicon® (BN4HC)

BH/HC Betamicon® (BH4HC)

V Stainless steel fibre

Size of filter or element _____

DFZ: 30, 60, 110

Operating pressure _____

Q = 315 bar

Type and size of connection _____

Type	Port	Filter size		
		30	60	110
B	4 ports A 6 DIN 24340/ Cetop R 35 H	●		
C	5 ports A 10 DIN 24340/ Cetop R 35 H		●	●

Filtration rating in µm _____

BN/HC, BH/HC, V: 3, 5, 10, 20

Type of clogging indicator _____

Y plastic blanking plug in indicator port

A steel blanking plug in indicator port

BM visual

C electrical

D visual and electrical

for other clogging indicators,
see brochure no. 7.050../...

Type code _____

1

Modification number _____

X the latest version is always supplied

Supplementary details _____

B. light with appropriate voltage (24, 48, 110, 220 Volt)

LED 2 light-emitting diodes up to 24 Volt

V FPM seals

W suitable for HFA and HFC emulsions

1 service access on the left ("A" side)

only for clogging
indicators type "D"

2.2 REPLACEMENT ELEMENT

0060 D 010 BN4HC /-V

Size _____

0030, 0060, 0110

Type _____

D

Filtration rating in µm _____

BN4HC, BH4HC, V: 003, 005, 010, 020

Filter material _____

BN4HC, BH4HC, V

Supplementary details _____

V, W (for descriptions, see Point 2.1)

2.3 REPLACEMENT CLOGGING INDICATOR

VD 8 D . X /-L24

Type _____

VD Differential pressure indicator up to 420 bar operating pressure

Pressure setting _____

8 standard 8 bar, others on request

Type of clogging indicator _____

D (see Point 2.1)

Modification number _____

X the latest version is always supplied

Supplementary details _____

L..., LED, V, W (for descriptions, see Point 2.1)

3. FILTER CALCULATION / SIZING

The total pressure drop of a filter at a certain flow rate Q is the sum of the housing Δp and the element Δp and is calculated as follows:

$$\Delta p_{\text{total}} = \Delta p_{\text{housing}} + \Delta p_{\text{element}}$$

$$\Delta p_{\text{housing}} = (\text{see Point 3.1})$$

$$\Delta p_{\text{element}} = Q \cdot \frac{SK^*}{1000} \cdot \frac{\text{viscosity}}{30}$$

(*see Point 3.2)

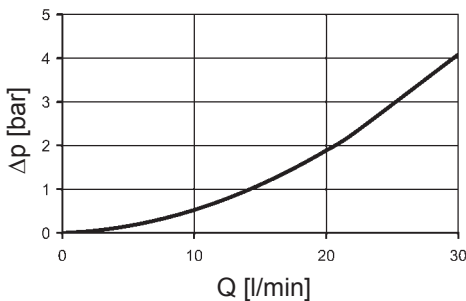
For ease of calculation, our Filter Sizing Program is available on request free of charge.

NEW: Sizing online at www.hydac.com

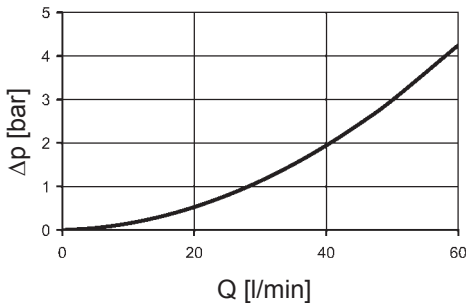
3.1 Δp -Q HOUSING CURVES BASED ON ISO 3968

The housing curves apply to mineral oil with a density of 0.86 kg/dm³ and a kinematic viscosity of 30 mm²/s. In this case, the differential pressure changes proportionally to the density.

DFZ 30



DFZ 60/110

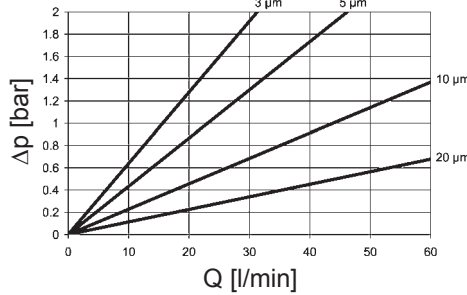


3.2 GRADIENT COEFFICIENTS (SK) FOR FILTER ELEMENTS

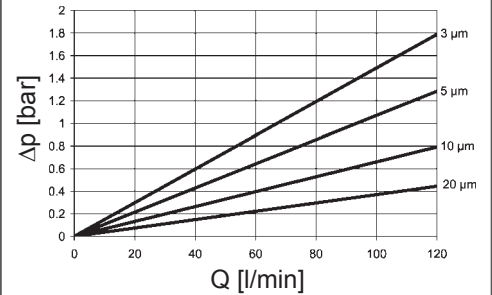
The gradient coefficients in mbar/(l/min) apply to mineral oils with a kinematic viscosity of 30 mm²/s. The pressure drop changes proportionally to the change in viscosity.

DFZ	V				BH4HC			
	3 μm	5 μm	10 μm	20 μm	3 μm	5 μm	10 μm	20 μm
30	18.4	13.5	7.5	3.6	91.2	50.7	36.3	19.0
60	16.0	9.3	5.4	3.3	58.6	32.6	18.1	12.2
110	8.2	5.6	3.3	2.2	25.4	14.9	8.9	5.6

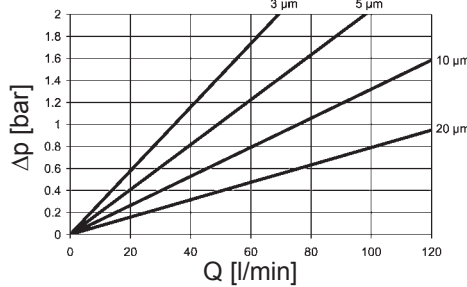
BN4HC: DFZ 30



BN4HC: DFZ 110



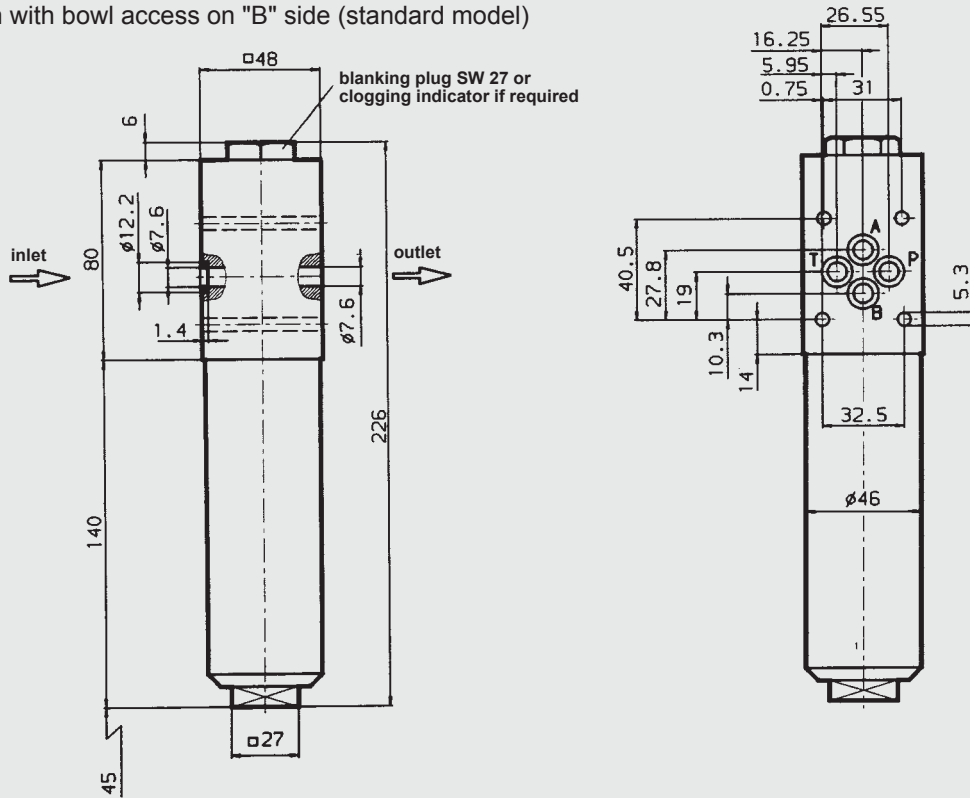
BN4HC: DFZ 60



4. DIMENSIONS

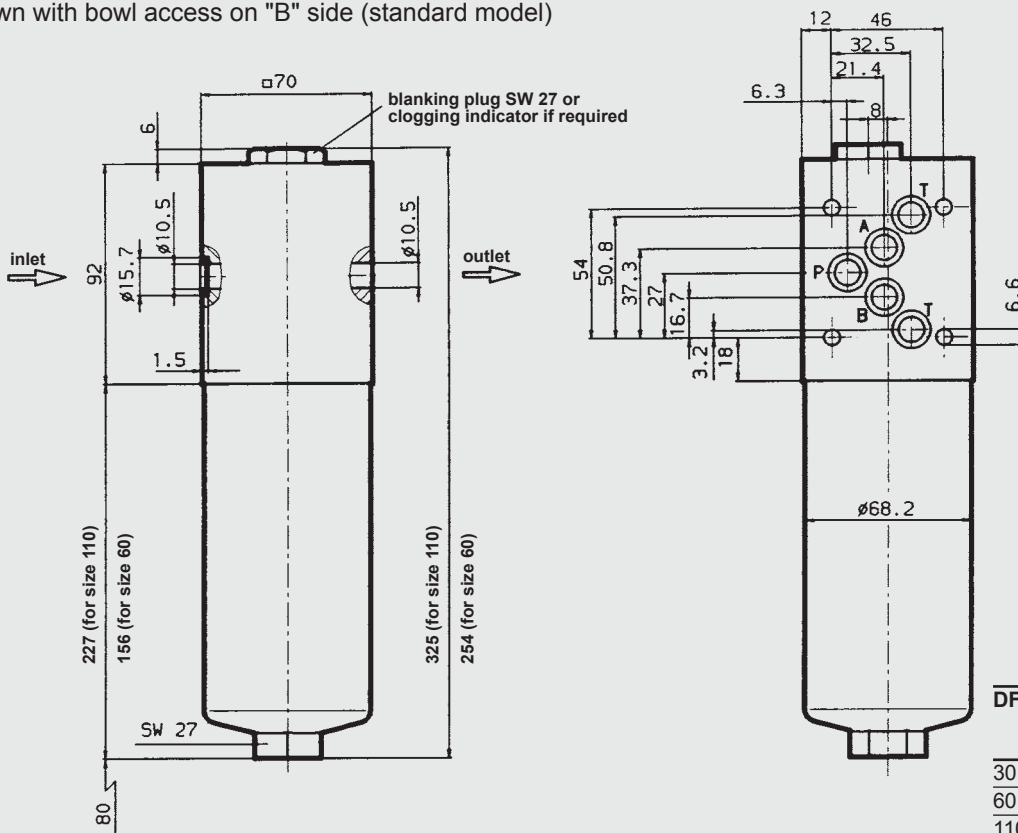
DFZ 30

shown with bowl access on "B" side (standard model)



DFZ 60/110

shown with bowl access on "B" side (standard model)



DFZ	Weight incl. element [kg]	Volume of pressure chamber [l]
30	2.4	0.13
60	5.9	0.20
110	6.8	0.33

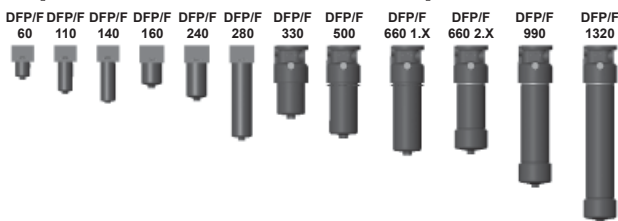
NOTE

The information in this brochure relates to the operating conditions and applications described.
For applications or operating conditions not described, please contact the relevant technical department.
Subject to technical modifications.

HYDAC FILTERTECHNIK GMBH
Industriegebiet
D-66280 Sulzbach/Saar, Germany
Tel.: 0 68 97 / 509-01
Fax: 0 68 97 / 509-300
Internet: www.hydac.com
E-mail: filter@hydac.com



Pressure Filter for Manifold Mounting DFP and for Reversible Flow DFPF up to 600 l/min, up to 315 bar



1. TECHNICAL SPECIFICATIONS

1.1 FILTER HOUSING Construction

The filter housings are designed in accordance with international regulations. They consist of a filter head and a screw-in filter bowl. DFPF filters are suitable for flow in both directions.

Standard equipment:

- connection for a clogging indicator
- two-piece bowl for DFP/F 990 and above (optional for DFP/F 660 and above)
- drain screw with pressure relief (standard for DFP/F 330 and above)

1.2 FILTER ELEMENTS

HYDAC filter elements are validated and their quality is constantly monitored according to the following standards:

- ISO 2941
- ISO 2942
- ISO 2943
- ISO 3724
- ISO 3968
- ISO 11170
- ISO 16889

Contamination retention capacities in g

DFP/F	Betamicron® (BN4HC)			
	3 µm	5 µm	10 µm	20 µm
60	6.5	7.3	7.8	8.0
110	13.8	15.5	16.4	16.9
140	18.1	20.3	21.5	22.2
160	19.8	22.2	23.5	24.3
240	32.3	36.3	38.4	39.6
280	70.6	79.3	83.9	86.6
330	47.2	53.1	56.1	57.9
500	76.9	86.5	91.5	94.4
660	102.2	114.9	121.5	125.4
990	154.5	173.7	183.7	189.5
1320	209.9	236.0	249.6	257.5

DFP/F	Betamicron® (BH4HC)			
	3 µm	5 µm	10 µm	20 µm
60	4.6	4.5	5.0	5.7
110	10.1	9.9	10.9	12.4
140	13.3	13.0	14.3	16.3
160	12.9	12.6	13.9	15.9
240	21.6	21.1	23.2	26.5
280	48.1	47.1	51.8	59.1
330	34.6	33.9	37.2	42.5
500	57.5	56.3	61.8	70.5
660	76.8	75.2	82.6	94.3
990	111.8	109.4	120.2	137.2
1320	153.8	150.7	165.5	188.8

1.3 FILTER SPECIFICATIONS

Nominal pressure	315 bar
Fatigue strength	At nominal pressure 10 ⁶ cycles from 0 to nominal pressure
Temperature range	-30 °C to +100 °C (-30 °C to -10 °C: p _{max} = 157.5 bar)
Material of filter head	EN-GJS 400-15
Material of filter bowl	Steel
Type of clogging indicator	VD (differential pressure measurement up to 420 bar operating pressure)
Pressure setting of the clogging indicator	5 bar (others on request)
Bypass cracking pressure (optional)	6 bar (others on request)

Filter elements are available with the following pressure stability values:

Betamicron® (BN4HC):	20 bar
Betamicron® (BH4HC):	210 bar
Wire mesh (W):	20 bar
Stainless steel fibre (V):	210 bar

1.4 SEALS

NBR (= Perbunan)

1.5 INSTALLATION

As pressure filter for manifold block mounting, with or without reversible oil flow

1.6 SPECIAL MODELS AND ACCESSORIES

- Bypass valve built into the head
- Seals in FPM, EPDM

1.7 SPARE PARTS

See Original Spare Parts List

1.8 CERTIFICATES AND APPROVALS

On request

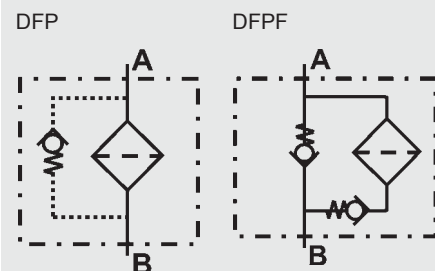
1.9 COMPATIBILITY WITH HYDRAULIC FLUIDS ISO 2943

- Hydraulic oils H to HLPD DIN 51524
- Lubrication oils DIN 51517, API, ACEA, DIN 51515, ISO 6743
- Compressor oils DIN 51506
- Biodegradable operating fluids VDMA 24568 HETG, HEES, HEPG
- Fire-resistant fluids HFA, HFB, HFC and HFD
- Operating fluids with high water content (>50% water content) on request

1.10 IMPORTANT INFORMATION

- Filter housings must be earthed.
- When using visual clogging indicators, the BM version (visual with manual reset) only should be used.
- When using electrical clogging indicators, the electrical power supply to the system must be switched off before removing the clogging indicator connector.

Symbol for hydraulic systems



2. MODEL CODE (also order example)

DFP BN/HC 60 Q B 10 D 1 . X /-L24

2.1 COMPLETE FILTER

Filter type _____

DFP or DFPF

Filter material _____

BN/HC Betamicron® (BN4HC)
 BH/HC Betamicron® (BH4HC)
 V Stainless steel fibre
 W Wire mesh

Size of filter or element _____

DFP/F: 60, 110, 140, 160, 240, 280, 330, 500, 660, 990, 1320

Operating pressure _____

Q = 315 bar

Type and size of connection _____

Type	Connection type	Filter size										
		60	110	140	160	240	280	330	500	660	990	1320
B	Ø 17.5	●	●	●								
C	Ø 21.4				●	●	●					
E	Ø 41							●	●	●	●	●

Filtration rating in µm _____

BN/HC, BH/HC, V: 3, 5, 10, 20
 W: 25, 50, 100, 200

Type of clogging indicator _____

Y plastic blanking plug in indicator port
 A steel blanking plug in indicator port
 BM visual
 C electrical
 D visual and electrical
 for other clogging indicators, see brochure no. 7.050../..

Type code _____

1 one-piece filter bowl
 2 two-piece filter bowl (DFP/F 660 to 1320)

Modification number _____

X the latest version is always supplied

Supplementary details _____

B. bypass cracking pressure (e.g. B6 = 6 bar); without details = without bypass valve
 L... light with appropriate voltage (24, 48, 110, 220 Volt)
 LED 2 light-emitting diodes up to 24 Volt
 SO184 pressure release/oil drain screw (standard for size DFP/F 330 and above)
 V FPM seals
 W suitable for HFA and HFC emulsions
 only for clogging indicators type "D"

2.2 REPLACEMENT ELEMENT

0060 D 010 BN4HC /-V

Size _____

0060, 0110, 0140, 0160, 0240, 0280, 0330, 0500, 0660, 0990, 1320

Type _____

D

Filtration rating in µm _____

BN4HC, BH4HC, V: 003, 005, 010, 020
 W: 025, 050, 100, 200

Filter material _____

BN4HC, BH4HC, V, W

Supplementary details _____

V, W (for descriptions, see Point 2.1)

2.3 REPLACEMENT CLOGGING INDICATOR

VD 5 D . X /-L24

Type _____

VD differential pressure indicator up to 420 bar operating pressure

Pressure setting _____

5 standard for DFP filters 5 bar
 8 standard for DFPF filters 8 bar
 others on request

Type of clogging indicator _____

D (see Point 2.1)

Modification number _____

X the latest version is always supplied

Supplementary details _____

L..., LED, V, W (for descriptions, see Point 2.1)

3. FILTER CALCULATION / SIZING

The total pressure drop of a filter at a certain flow rate Q is the sum of the housing Δp and the element Δp and is calculated as follows:

$$\Delta p_{\text{total}} = \Delta p_{\text{housing}} + \Delta p_{\text{element}}$$

$$\Delta p_{\text{housing}} = (\text{see Point 3.1})$$

$$\Delta p_{\text{element}} = Q \cdot \frac{SK^*}{1000} \cdot \frac{\text{viscosity}}{30}$$

(*see Point 3.2)

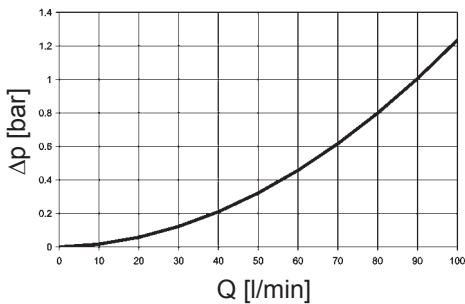
For ease of calculation, our Filter Sizing Program is available on request free of charge.

NEW: Sizing online at www.hydac.com

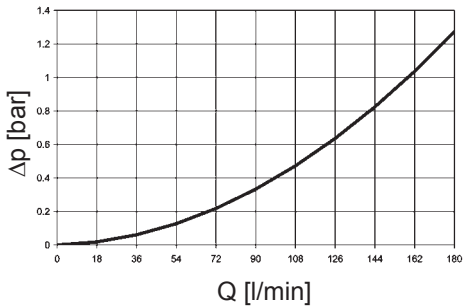
3.1 Δp -Q HOUSING CURVES BASED ON ISO 3968

The housing curves apply to mineral oil with a density of 0.86 kg/dm³ and a kinematic viscosity of 30 mm²/s. In this case, the differential pressure changes proportionally to the density.

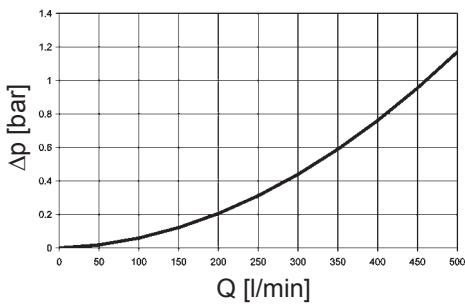
DFP 60/110/140



DFP 160/240/280



DFP 330/500/660/990/1320



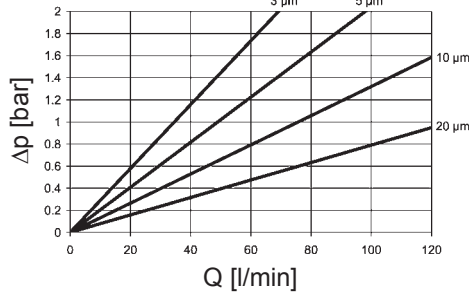
DFPF Δp -Q HOUSING CURVES ON REQUEST

3.2 GRADIENT COEFFICIENTS (SK) FOR FILTER ELEMENTS

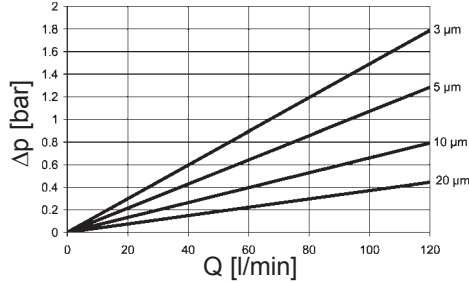
The gradient coefficients in mbar/(l/min) apply to mineral oils with a kinematic viscosity of 30 mm²/s. The pressure drop changes proportionally to the change in viscosity.

DFP/ DFPF	V				W	BH4HC			
	3 μm	5 μm	10 μm	20 μm		-	3 μm	5 μm	10 μm
60	16.0	11.0	6.5	3.3	1.683	58.6	32.6	18.1	12.2
110	8.3	6.0	4.2	2.1	0.918	25.4	14.9	8.9	5.6
140	5.9	3.8	3.0	1.7	0.721	19.9	11.3	8.1	4.3
160	4.5	3.2	2.3	1.4	0.631	16.8	10.4	5.9	4.4
240	3.2	2.4	1.9	1.1	0.421	10.6	6.8	3.9	2.9
280	1.5	1.2	1.0	0.8	0.361	5.7	3.4	1.8	1.6
330	2.1	1.5	1.3	0.8	0.307	7.7	4.5	2.8	2.0
500	1.4	1.0	0.8	0.5	0.202	4.2	2.6	1.5	1.2
660	1.1	0.9	0.6	0.3	0.153	3.3	1.9	1.0	0.9
990	0.7	0.5	0.4	0.3	0.102	2.2	1.3	0.8	0.6
1320	0.6	0.5	0.3	0.2	0.077	1.6	1.0	0.6	0.4

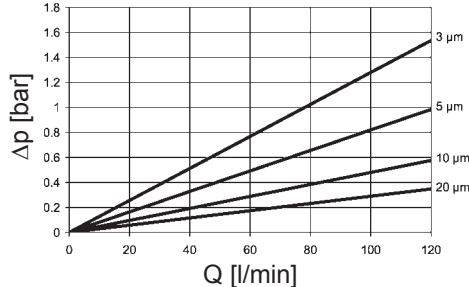
BN4HC: 60



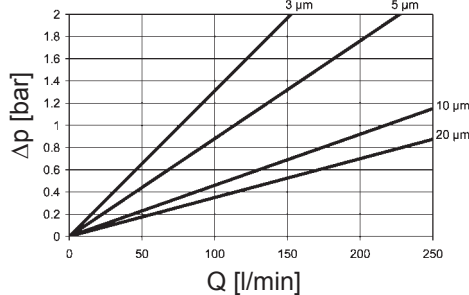
BN4HC: 110



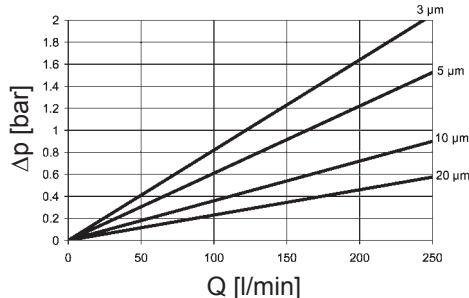
BN4HC: 140



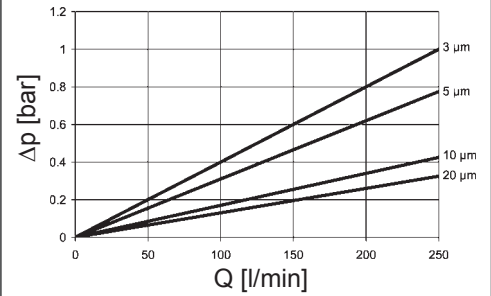
BN4HC: 160



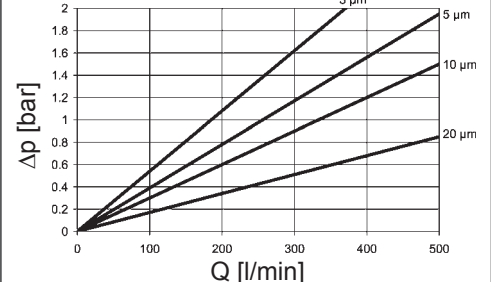
BN4HC: 240



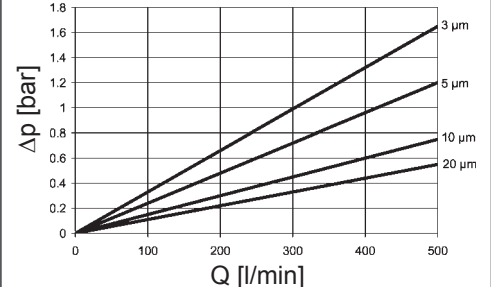
BN4HC: 280



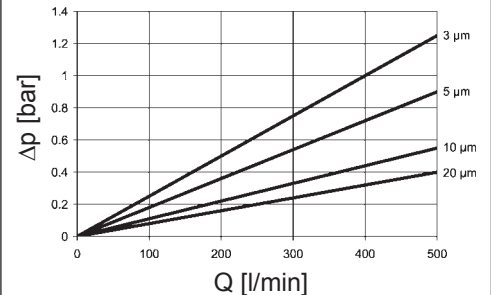
BN4HC: 330



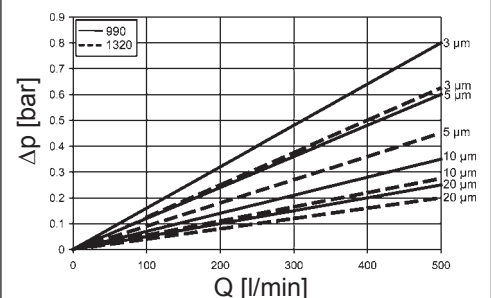
BN4HC: 500



BN4HC: 660

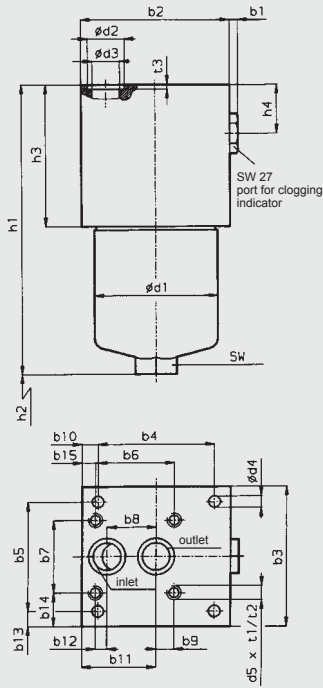


BN4HC: 990/1320

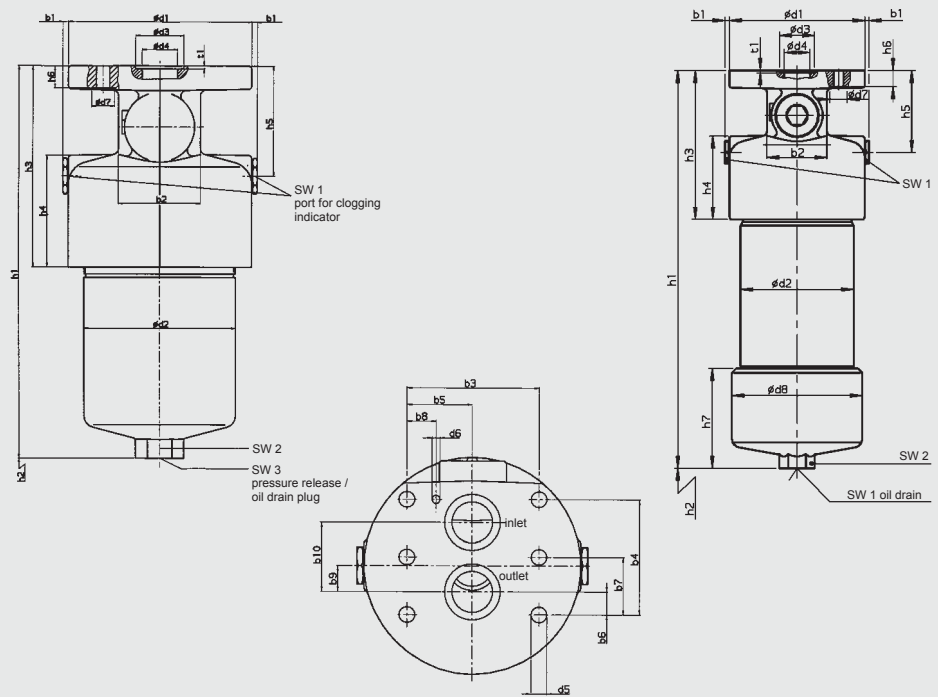


4. DIMENSIONS: DFP

DFP 60 - 280



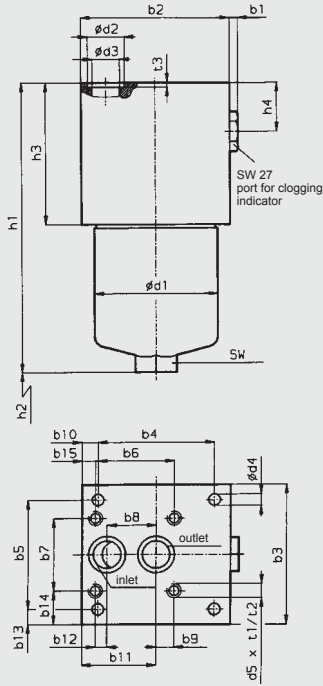
DFP 330 - 1320



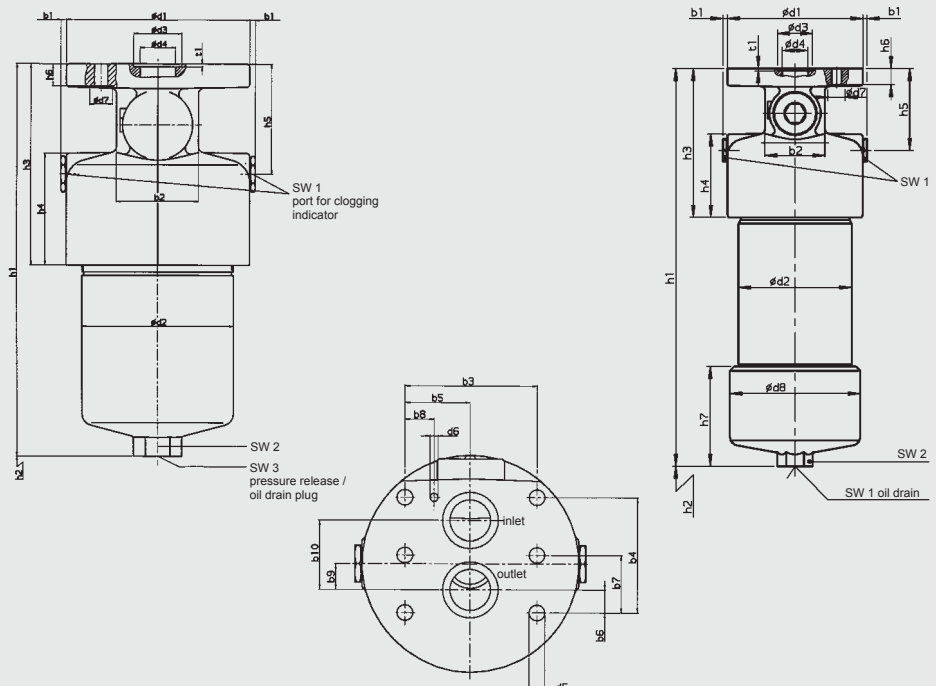
DFP	60	110	140	160	240	280	330	500	660	990	1320
b1	6	6	6	6	6	6	5	5	5	5	5
b2	104	104	104	115	115	115	70	70	70	70	70
b3	80	80	80	110	110	110	96.8	96.8	96.8	96.8	96.8
b4	89	89	89	90	90	90	84.1	84.1	84.1	84.1	84.1
b5	31.8	31.8	31.8	86	86	86	48.4	48.4	48.4	48.4	48.4
b6	-	-	-	61	61	61	16.7	16.7	16.7	16.7	16.7
b7	-	-	-	57	57	57	42.05	42.05	42.05	42.05	42.05
b8	31.6	31.6	31.6	38	38	38	21.4	21.4	21.4	21.4	21.4
b9	-	-	-	14	14	14	19	19	19	19	19
b10	7.5	7.5	7.5	12.5	12.5	12.5	50.7	50.7	50.7	50.7	50.7
b11	55.9	55.9	55.9	57.5	57.5	57.5	-	-	-	-	-
b12	-	-	-	9	9	9	-	-	-	-	-
b13	24.1	24.1	24.1	12	12	12	-	-	-	-	-
b14	-	-	-	26.5	26.5	26.5	-	-	-	-	-
b15	-	-	-	10.5	10.5	10.5	-	-	-	-	-
d1	68.2	68.2	68.2	95.2	95.2	95.2	158	158	158	158	158
d2	25.3	25.3	25.3	28.6	28.6	28.6	130	130	130	130	130
d3	17.5	17.5	17.5	21.4	21.4	21.4	41	41	41	41	41
d4	8.5	8.5	8.5	9	9	9	30	30	30	30	30
d5	-	-	-	7/18-14 UNC	7/18-14 UNC	7/18-14 UNC	11.5	11.5	11.5	11.5	11.5
d6	-	-	-	-	-	-	6	6	6	6	6
d7	-	-	-	-	-	-	20	20	20	20	20
d8	-	-	-	-	-	-	-	-	-	152	152
h1	158.5	227.5	269.5	199.5	259.5	441.5	339.5	432.5	510.0	660.0	826.0
h2	75	75	75	85	85	85	95	95	95	500	670
h3	76	76	76	83	83	83	174.5	174.5	174.5	174.5	174.5
h4	25	25	25	25	25	25	98	98	98	98	98
h5	-	-	-	-	-	-	96	96	96	96	96
h6	-	-	-	-	-	-	19	19	19	19	19
h7	-	-	-	-	-	-	-	-	-	112	112
t1	-	-	-	13	13	13	2.6	2.6	2.6	2.6	2.6
t2	-	-	-	18	18	18	-	-	-	-	-
t3	2	2	2	2	2	2	-	-	-	-	-
SW	27	27	27	32	32	32	-	-	-	-	-
SW1	-	-	-	-	-	-	27	27	27	27	27
SW2	-	-	-	-	-	-	36	36	36	36	36
SW 3	-	-	-	-	-	-	10	10	10	10	10
Weight incl. element [kg]	5.1	6.0	6.6	9.1	10.4	14.7	21.0	25.5	29.0	39.2	47.1
Volume of pressure chamber [l]	0.20	0.33	0.40	0.60	0.80	1.60	1.50	2.30	3.00	4.20	5.60

DFFP

DFFP 60 - 280



DFFP 330 - 1320



DFFP	60	110	140	160	240	280	330	500	660	990	1320
b1	6	6	6	6	6	6	5	5	5	5	5
b2	104	104	104	120	120	120	70	70	70	70	70
b3	80	80	80	110	110	110	96.8	96.8	96.8	96.8	96.8
b4	89	89	89	90	90	90	84.1	84.1	84.1	84.1	84.1
b5	31.8	31.8	31.8	86	86	86	48.4	48.4	48.4	48.4	48.4
b6	-	-	-	61	61	61	16.7	16.7	16.7	16.7	16.7
b7	-	-	-	57	57	57	42.05	42.05	42.05	42.05	42.05
b8	31.6	31.6	31.6	38	38	38	21.4	21.4	21.4	21.4	21.4
b9	-	-	-	14	14	14	19	19	19	19	19
b10	7.5	7.5	7.5	17.5	17.5	17.5	50.7	50.7	50.7	50.7	50.7
b11	55.9	55.9	55.9	62.5	62.5	62.5	-	-	-	-	-
b12	-	-	-	9	9	9	-	-	-	-	-
b13	24.1	24.1	24.1	12	12	12	-	-	-	-	-
b14	-	-	-	26.5	26.5	26.5	-	-	-	-	-
b15	-	-	-	15.5	15.5	15.5	-	-	-	-	-
d1	68.2	68.2	68,295,2	95.2	95.2	158	158	158	158	158	158
d2	25.3	25.3	25.3	28.6	28.6	28.6	130	130	130	130	130
d3	17.5	17.5	17.5	21.4	21.4	21.4	41	41	41	41	41
d4	8.5	8.5	8.5	9	9	9	30	30	30	30	30
d5	-	-	-	7/8-14 UNC	7/8-14 UNC	7/8-14 UNC	11.5	11.5	11.5	11.5	11.5
d6	-	-	-	-	-	-	6	6	6	6	6
d7	-	-	-	-	-	-	20	20	20	20	20
d8	-	-	-	-	-	-	-	-	-	152	152
h1	158.5	227.5	269.5	206.5	266.5	448.5	339.5	432.5	510.0	660.0	826.0
h2	75	75	75	85	85	85	95	95	95	95	95
h3	76	76	76	90	90	90	174.5	174.5	174.5	174.5	174.5
h4	21	21	21	32	32	32	98	98	98	98	98
h5	-	-	-	-	-	-	96	96	96	96	96
h6	-	-	-	-	-	-	19	19	19	19	19
h7	-	-	-	-	-	-	-	-	-	112	112
t1	-	-	-	13	13	13	2.6	2.6	2.6	2.6	2.6
t2	-	-	-	18	18	18	-	-	-	-	-
t3	2	2	2	2	23	2	-	-	-	-	-
SW	27	27	27	32	32	32	-	-	-	-	-
SW1	-	-	-	-	-	-	27	27	27	27	27
SW2	-	-	-	-	-	-	36	36	36	36	36
SW 3	-	-	-	-	-	-	10	10	10	10	10
Weight incl. element [kg]	5.1	6.0	6.6	9.1	10.4	14.7	21.0	25.5	29.0	39.2	47.1
Volume of pressure chamber [l]	0.20	0.33	0.40	0.60	0.80	1.60	1.50	2.30	3.00	4.20	5.60

Return Line Filter HF4R up to 450 l/min, up to 10 bar



1. TECHNICAL SPECIFICATIONS

1.1 FILTER HOUSING

Construction

The filter housings are designed in accordance with international regulations. They consist of a filter head, filter bowl and a bolt-on cover plate.

Standard equipment:

- with bypass valve
- connection for a clogging indicator

1.2 FILTER ELEMENTS

HYDAC filter elements are validated and their quality is constantly monitored according to the following standards:

- ISO 2941
- ISO 2942
- ISO 2943
- ISO 3724
- ISO 3968
- ISO 11170
- ISO 16889

Filter elements are available with the following pressure stability values:

Betamicon® (BN):	10 bar
Stainl. steel wire mesh (W/HC):	10 bar
Paper (P)	10 bar

1.3 FILTER SPECIFICATIONS

Nominal pressure	10 bar
Fatigue strength	At nominal pressure 10 ⁶ cycles from 0 to nominal pressure
Temperature range	-30 °C to +100 °C
Material of filter head	Aluminium
Material of filter bowl	Steel
Type of clogging indicator	VMF (return line indication)
Pressure setting of the clogging indicator	2 bar (others on request)
Bypass cracking pressure	3 bar (others on request)

1.4 SEALS

NBR (= Perbunan)

1.5 MOUNTING

As inline filter

1.6 SPECIAL MODELS AND ACCESSORIES

- Without bypass valve
- Without port (no clogging indicator)

1.7 SPARE PARTS

See Original Spare Parts List

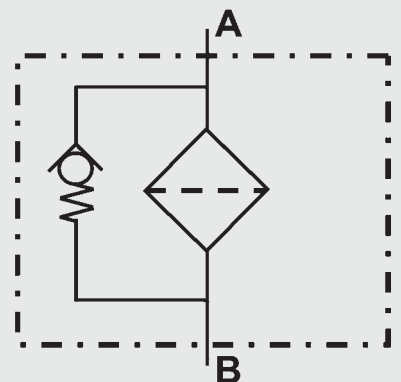
1.8 CERTIFICATES AND APPROVALS

On request

1.9 COMPATIBILITY WITH HYDRAULIC FLUIDS ISO 2943

- Hydraulic oils H to HLPD DIN 51524
- Lubrication oils DIN 51517, API, ACEA, DIN 51515, ISO 6743
- Compressor oils DIN 51506
- Biodegradable operating fluids VDMA 24568 HETG, HEES, HEPG
- Fire-resistant fluids HFA, HFB, HFC and HFD
- Operating fluids with high water content (>50% water content) on request

Symbol for hydraulic systems



2. MODEL CODE (also order example)

HF4R BN 09 G 3 C 1 . X /12 V-B6

2.1 COMPLETE FILTER

Filter type _____

HF4R

Filter material of elements _____

BN Betamicon® (BN)
 W Wire mesh
 P Paper

Size of filter or element _____

09 9"
 18 18"
 27 27"

Port _____

G threaded port
 F flange port

Filtration rating in µm _____

BN : 3, 5, 10, 20
 W/HC : 25, 74, 149
 P : 10, 20

Type of clogging indicator _____

W without port (no clogging indicator)
 A plastic blanking plug in indicator port
 B visual
 C electrical
 D visual and electrical
 J electrical switch (Brad Harrison 5 Pin Mini)
 J4 electrical switch (Brad Harrison 4 Pin Micro)

for other clogging indicators,
 see brochure no. 7.050../..

Type code _____

1 1 inlet
 2 2 inlets

Modification number _____

X the latest version is always supplied

Supplementary details

0 BSPP 1¼"
 3 NPT 1½"
 12 SAE-24-O-ring boss
 16 SAE 1½" flange (210 bar)

B. bypass cracking pressure (e.g. B1 = 1 bar); no details = without bypass valve
 L... light with appropriate voltage (24, 48, 110, 220 Volt)
 LED 2 light emitting diodes up to 24 Volt
 V FPM seals
 W suitable for HFA and HFC emulsions

only for clogging indicator
 type "D"

2.2 REPLACEMENT ELEMENT

5.03.09 D 03 BN /-V

Size _____

09 9"
 18 18"
 27 27"

Type _____

D

Filtration rating in µm _____

BN : 03, 05, 10, 20
 W/HC : 25, 74, 149
 P : 10, 20

Filter material _____

BN, W/HC, P

Supplementary details _____

V, W (for descriptions, see point 2.1)

2.3 REPLACEMENT CLOGGING INDICATOR

VMF 2 D . X /-L24

Type of indicator _____

VMF return line pressure indicator

Pressure setting _____

2 standard 2 bar, others on request

Type of clogging indicator _____

D (see point 2.1)

Modification number _____

X the latest version is always supplied

Supplementary details _____

L..., LED, V, W (for descriptions, see point 2.1)

3. FILTER CALCULATION / SIZING

The total pressure drop of a filter at a certain flow rate Q is the sum of the housing Δp and the element Δp and is calculated as follows:

$$\Delta p_{\text{total}} = \Delta p_{\text{housing}} + \Delta p_{\text{element}}$$

$$\Delta p_{\text{housing}} = (\text{see Point 3.1})$$

$$\Delta p_{\text{element}} = Q \cdot \frac{SK^*}{1000} \cdot \frac{\text{viscosity}}{30}$$

(*see point 3.2)

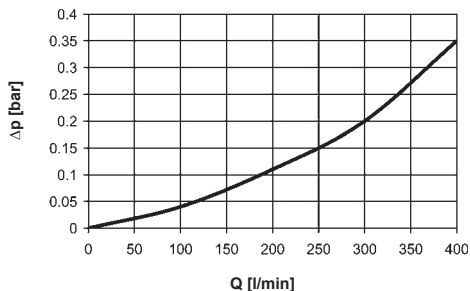
For ease of calculation, our Filter Sizing Program is available on request free of charge.

NEW: Sizing online at www.hydac.com

3.1 Δp -Q HOUSING CURVES BASED ON ISO 3968

The housing curves apply to mineral oil with a density of 0.86 kg/dm³ and a kinematic viscosity of 30 mm²/s. In this case, the differential pressure changes proportionally to the density.

HF4R

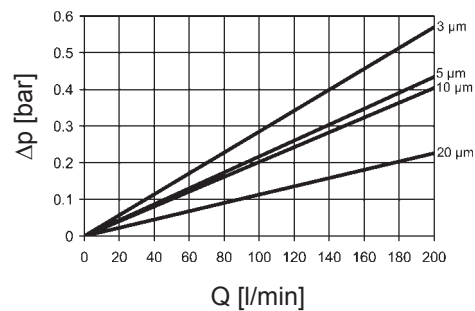


3.2 GRADIENT COEFFICIENTS (SK) FOR FILTER ELEMENTS

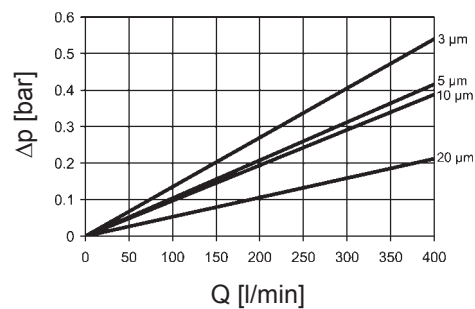
The gradient coefficients in mbar/(l/min) apply to mineral oils with a kinematic viscosity of 30 mm²/s. The pressure drop changes proportionally to the change in viscosity.

HF4R	BN				W
	3 μm	5 μm	10 μm	20 μm	-
09	2.85	2.17	2.02	1.13	0.128
18	1.35	1.04	0.97	0.53	0.073
27	0.88	0.67	0.62	0.35	0.036

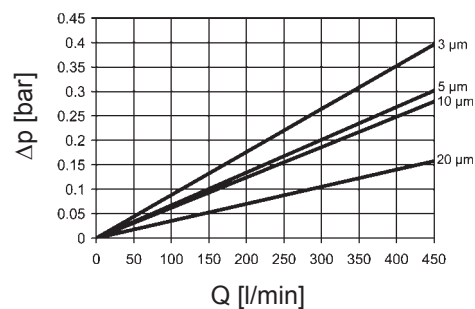
09 BN:



18 BN:



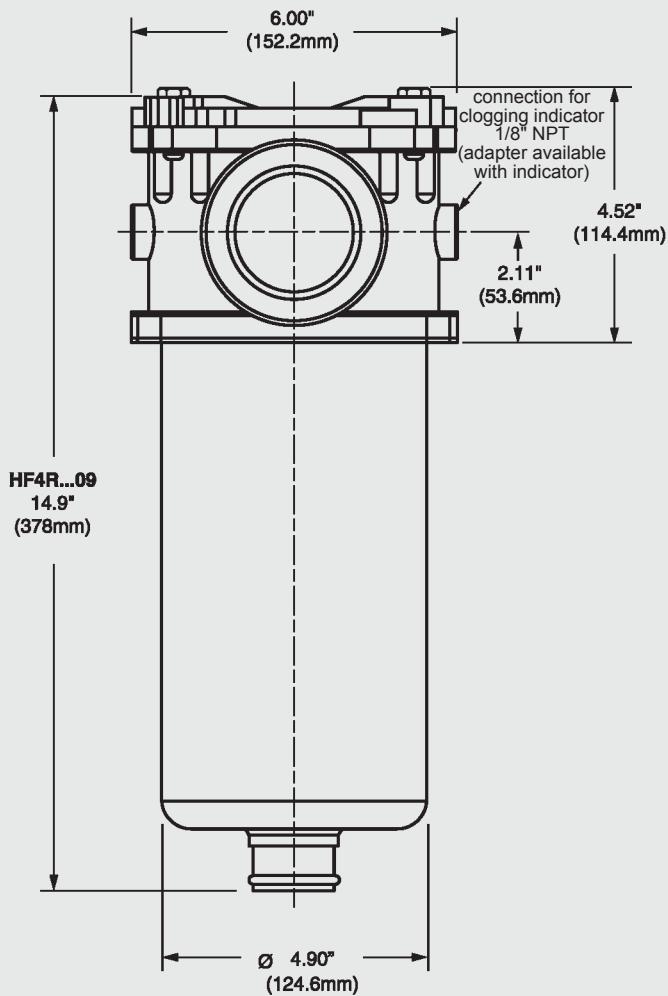
27 BN:



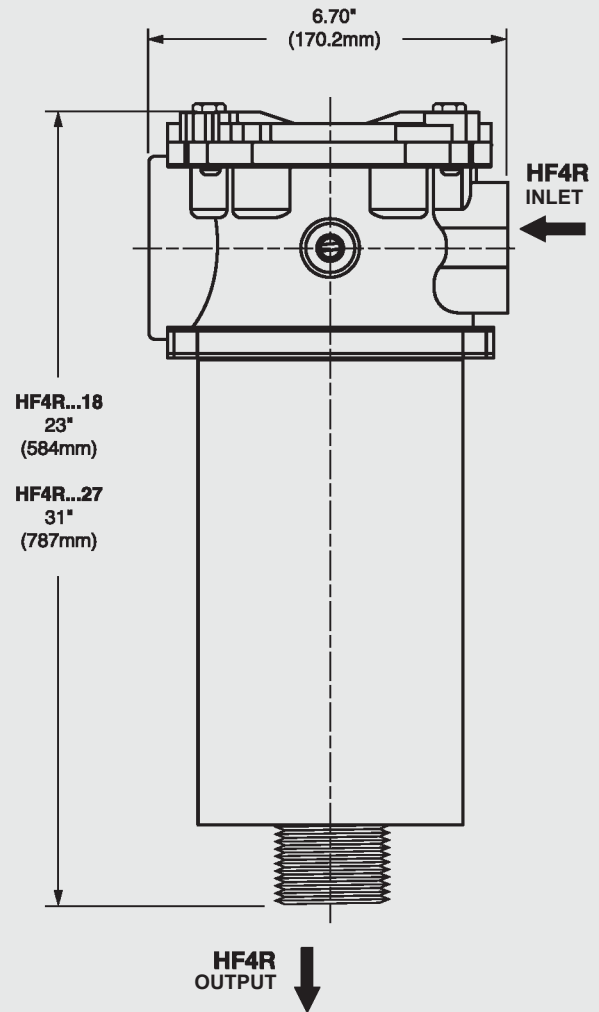
4. DIMENSIONS

HF4R

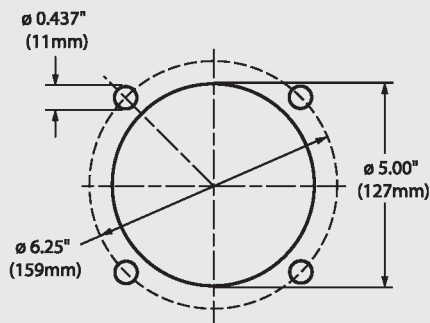
Size 9



Size 18 and 27



Mounting specifications



HF4R	Weight incl. element [kg]
09	4.53
18	6.58
27	8.44

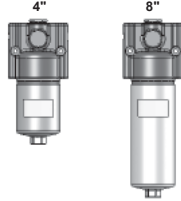
NOTE

The information in this brochure relates to the operating conditions and applications described.
For applications or operating conditions not described, please contact the relevant technical department.
Subject to technical modifications.

HYDAC FILTERTECHNIK GMBH
Industriegebiet
D-66280 Sulzbach/Saar, Germany
Tel.: 0 68 97 / 509-01
Fax: 0 68 97 / 509-300
Internet: www.hydac.com
E-mail: filter@hydac.com



Inline Filter or Pressure Filter for Manifold Mounting HF2P up to 100 l/min, up to 280 bar



1. TECHNICAL SPECIFICATIONS

1.1 FILTER HOUSING

Construction

The filter housings are designed in accordance with international regulations. They consist of a filter head and a screw-in filter bowl.

Standard equipment:

- bypass valve
- connection for a clogging indicator

1.2 FILTER ELEMENTS

HYDAC filter elements are validated and their quality is constantly monitored according to the following standards:

- ISO 2941
- ISO 2942
- ISO 2943
- ISO 3724
- ISO 3968
- ISO 11170
- ISO 16889

Filter elements are available with the following pressure stability values:

Betamicon® (BN): 20 bar
Betamicon® (BH): 210 bar

1.3 FILTER SPECIFICATIONS

Nominal pressure	280 bar
Fatigue strength	At nominal pressure 10 ⁶ cycles from 0 to nominal pressure
Temperature range	-30 °C to +100 °C
Material of filter head	EN-GJS
Material of filter bowl	Steel
Type of clogging indicator	VD (differential pressure measurement up to 420 bar operating pressure)
Pressure setting of the clogging indicator	5 bar (others on request)
Bypass cracking pressure	6 bar (others on request)

1.4 SEALS

NBR (= Perbunan)

1.5 INSTALLATION

As inline and manifold-mounted filter

1.6 SPECIAL MODELS AND ACCESSORIES

- Without bypass valve
- Without port (no clogging indicator)

1.7 SPARE PARTS

See Original Spare Parts List

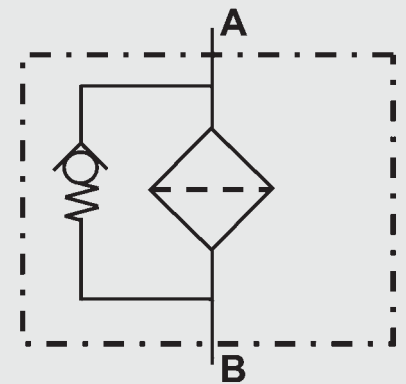
1.8 CERTIFICATES AND APPROVALS

On request

1.9 COMPATIBILITY WITH HYDRAULIC FLUIDS ISO 2943

- Hydraulic oils H to HLPD DIN 51524
- Lubrication oils DIN 51517, API, ACEA, DIN 51515, ISO 6743
- Compressor oils DIN 51506
- Biodegradable operating fluids VDMA 24568 HETG, HEES, HEPG
- Fire-resistant fluids HFA, HFB, HFC and HFD
- Operating fluids with high water content (>50% water content) on request

Symbol for hydraulic systems



2. MODEL CODE (also order example)

HF2P BN 04 G 3 C 1 . X /12 V-B6

2.1 COMPLETE FILTER

Filter type _____

HF2P

Filter material of element _____

BN Betamicron® (BN)

BH Betamicron® (BH)

Size of filter or element _____

04 4"

08 8"

Port _____

G thread connection

P manifold mounting

Filtration rating in µm _____

BN : 3, 6, 12, 25

BH : 3, 6, 10, 17

Type of clogging indicator _____

W without port (no clogging indicator)

A plastic blanking plug in indicator port

B visual

C electrical

D visual and electrical

for other clogging indicators,
see brochure no. 7.050../..

J electrical switch (Brad Harrison 5 Pin Mini)

J4 electrical switch (Brad Harrison 4 Pin Micro)

Type code _____

1

Modification number _____

X the latest version is always supplied

Supplementary details

no details = manifold mounting

0 G 3/4" BSPP

12 SAE-12-O-ring boss

B. bypass cracking pressure (z.B. B3 = 3 bar); without details = without bypass valve

L... light with appropriate voltage (24, 48, 110, 220 Volt)

LED 2 light-emitting diodes up to 24 Volt

V FPM seals

W suitable for HFA and HFC emulsions

2.2 REPLACEMENT ELEMENT

1.07.04 D 03 BN /-V

Size _____

04 4"

08 8"

Type _____

D

Filtration rating in µm _____

BN: 03, 06, 12, 25

BH: 03, 06, 10, 17

Filter material _____

BN, BH

Supplementary details _____

V (for descriptions, see point 2.1)

2.3 REPLACEMENT CLOGGING INDICATOR

VD 5 D . X /-L24

Type _____

VD differential pressure indicator up to 420 bar operating pressure

Pressure setting _____

5 standard 5 bar, others on request

Type of clogging indicator _____

D (see point 2.1)

Modification number _____

X the latest version is always supplied

Supplementary details _____

L..., LED, V, W (for descriptions, see point 2.1)

3. FILTER CALCULATION / SIZING

The total pressure drop of a filter at a certain flow rate Q is the sum of the housing Δp and the element Δp and is calculated as follows:

$$\Delta p_{\text{total}} = \Delta p_{\text{housing}} + \Delta p_{\text{element}}$$

$$\Delta p_{\text{housing}} = \text{(see Point 3.1)}$$

$$\Delta p_{\text{element}} = Q \cdot \frac{SK^*}{1000} \cdot \frac{\text{viscosity}}{30}$$

(*see Point 3.2)

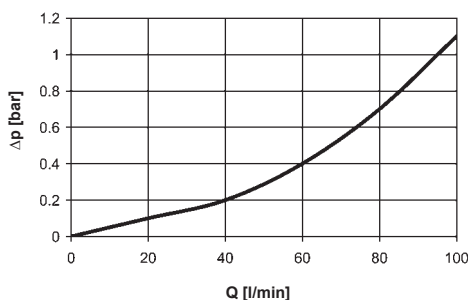
For ease of calculation, our Filter Sizing Program is available on request free of charge.

NEW: Sizing online at www.hydac.com

3.1 Δp -Q HOUSING CURVES BASED ON ISO 3968

The housing curves apply to mineral oil with a density of 0.86 kg/dm³ and a kinematic viscosity of 30 mm²/s. In this case, the differential pressure changes proportionally to the density.

HF2P

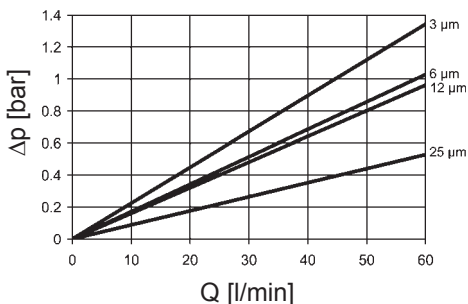


3.2 GRADIENT COEFFICIENTS (SK) FOR FILTER ELEMENTS

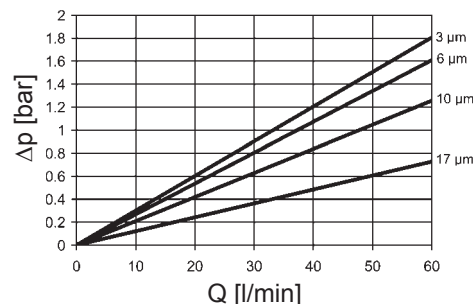
The gradient coefficients in mbar/(l/min) apply to mineral oils with a kinematic viscosity of 30 mm²/s. The pressure drop changes proportionally to the change in viscosity.

HF2P	BN				BH			
	3 μm	6 μm	12 μm	25 μm	3 μm	6 μm	10 μm	17 μm
04	22.40	17.14	16.03	8.81	30.11	26.81	20.93	12.12
08	11.14	8.45	7.96	4.41	14.57	13.10	10.16	5.88

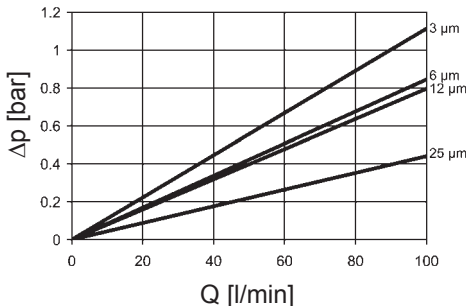
04 BN:



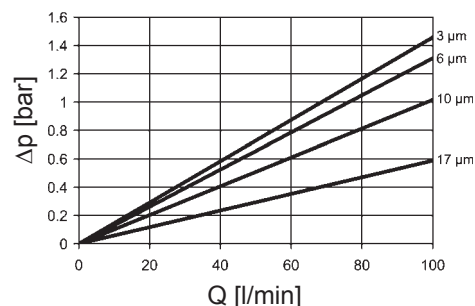
04 BH:



08 BN:

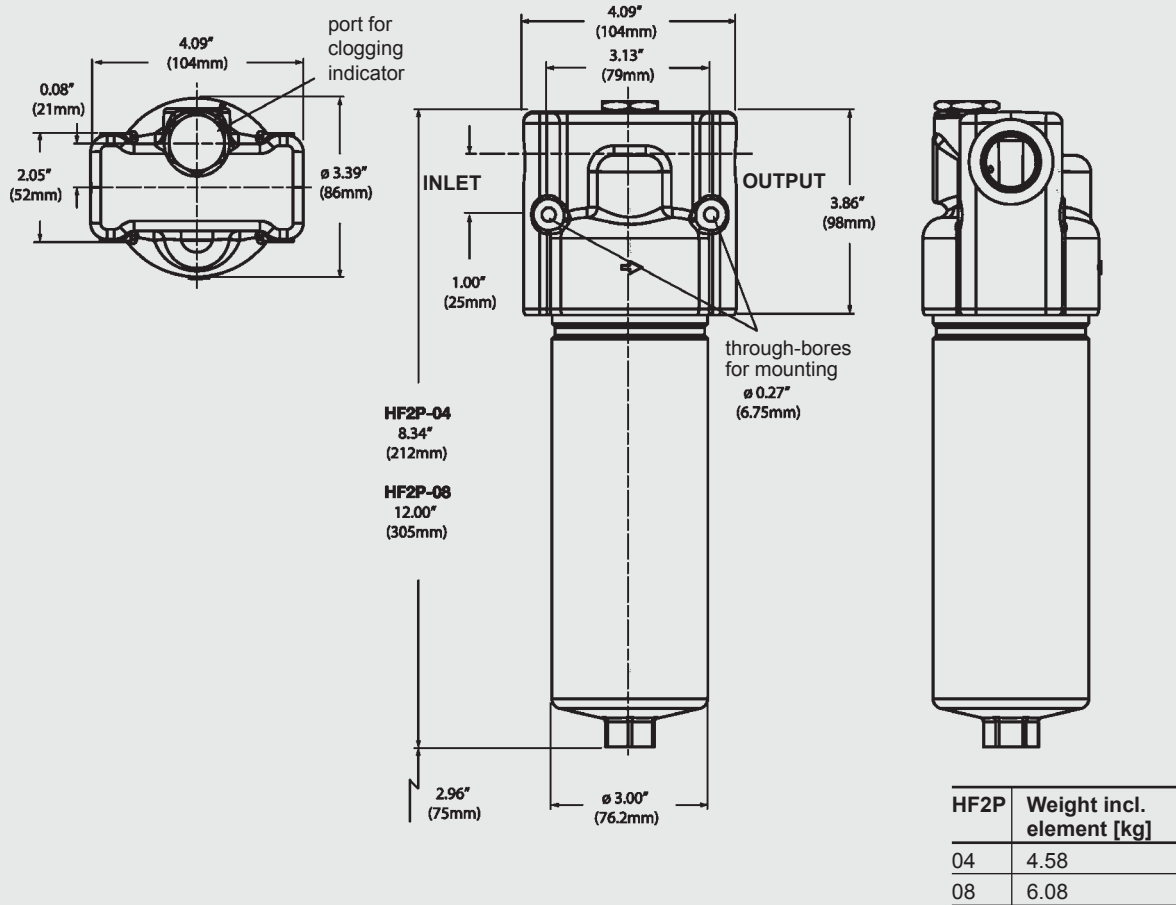


08 BH:

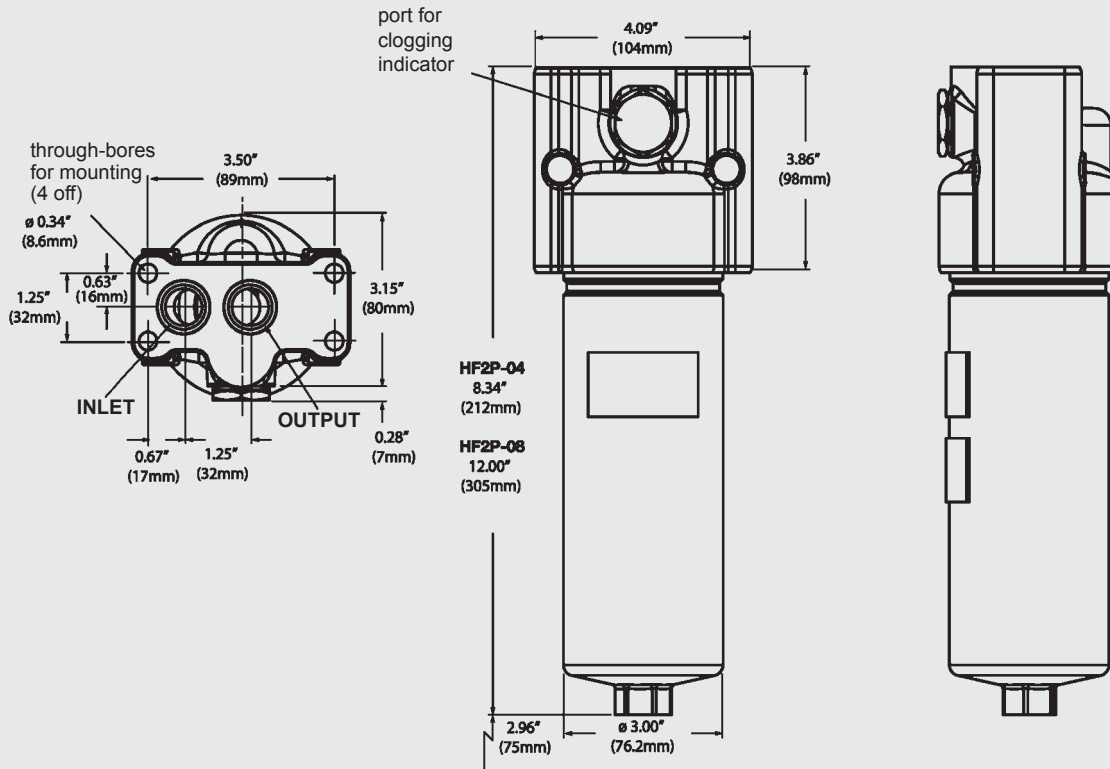


4. DIMENSIONS

HF2P



MANIFOLD MOUNTING



NOTE

The information in this brochure relates to the operating conditions and applications described.
 For applications or operating conditions not described, please contact the relevant technical department.
 Subject to technical modifications.

HYDAC FILTERTECHNIK GMBH
 Industriegebiet
66280 Sulzbach/Saar, Germany
 Tel.: 0 68 97 / 509-01
 Fax: 0 68 97 / 509-300
 Internet: www.hydac.com
 E-mail: filter@hydac.com



Inline Filter or Pressure Filter for Manifold Mounting HF4P

up to 450 l/min, up to 350 bar



1. TECHNICAL SPECIFICATIONS

1.1 FILTER HOUSING

Construction

The filter housings are designed in accordance with international regulations. They consist of a filter head and a screw-on filter bowl.

Standard equipment:

- bypass valve
- connection for a clogging indicator

1.2 FILTER ELEMENTS

HYDAC filter elements are validated and their quality is constantly monitored according to the following standards:

- ISO 2941
- ISO 2942
- ISO 2943
- ISO 3724
- ISO 3968
- ISO 11170
- ISO 16889

Filter elements are available with the following pressure stability values:

Betamicon® (BN):	20 bar
Betamicon® (BH):	210 bar
Wire mesh (W):	20 bar

1.3 FILTER SPECIFICATIONS

Nominal pressure	420 bar
Fatigue strength	At nominal pressure 10 ⁶ cycles from 0 to nominal pressure
Temperature range	-30 °C to +100 °C
Material of filter head	EN-GJS
Material of filter bowl	Steel
Type of clogging indicator	VD (differential pressure measurement up to 420 bar operating pressure)
Pressure setting of the clogging indicator	5 bar (others on request)
Bypass cracking pressure	6 bar (others on request)

1.4 SEALS

NBR (= Perbunan)

1.5 INSTALLATION

As inline filter or manifold mounted filter

1.6 SPECIAL MODELS AND ACCESSORIES

- Without bypass valve
- Without port (no clogging indicator)

1.7 SPARE PARTS

See Original Spare Parts List

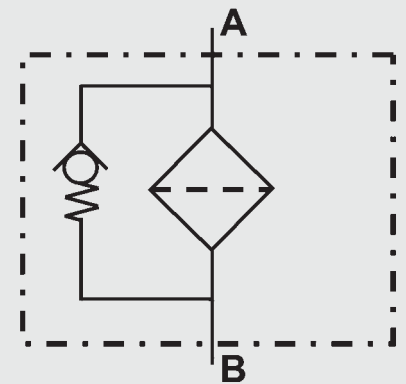
1.8 CERTIFICATES AND APPROVALS

On request

1.9 COMPATIBILITY WITH HYDRAULIC FLUIDS ISO 2943

- Hydraulic oils H to HLPD DIN 51524
- Lubrication oils DIN 51517, API, ACEA, DIN 51515, ISO 6743
- Compressor oils DIN 51506
- Biodegradable operating fluids VDMA 24568 HETG, HEES, HEPG
- Fire-resistant fluids HFA, HFB, HFC and HFD
- Operating fluids with high water content (>50% water content) on request

Symbol for hydraulic systems



2. MODEL CODE (also order example)

HF4P BN 09 G 3 C 1 . X /12 V-B6

2.1 COMPLETE FILTER

Filter type _____

HF4P

Filter material of element _____

BN Betamicron® (BN)
 BH Betamicron® (BH)
 W Wire mesh

Size of filter or element _____

09 9"
 18 18"
 27 27"

Port _____

G thread port
 F flange port
 P manifold mounting

Filtration rating in µm _____

BN, BH : 3, 5, 10, 20
 W : 25, 74, 149

Type of clogging indicator _____

W without port (no clogging indicator)
 A plastic blanking plug in indicator port
 B visual
 C electrical
 D visual and electrical
 J electrical switch (Brad Harrison 5 Pin Mini)
 J4 electrical switch (Brad Harrison 4 Pin Micro)

for other clogging indicators,
 see brochure no. 7.050../..

Type code _____

1

Modification number _____

X the latest version is always supplied

Supplementary details

no details = manifold mounting
 0 BSPP 1½"
 12 SAE-24-O-ring boss
 16 SAE 1½" flange (210 or 420 bar)
 B. bypass cracking pressure (e.g. B6 = 6 bar); without details = without bypass valve
 L... light with appropriate voltage (24, 48, 110, 220 Volt)
 LED 2 light emitting diodes 24 Volt
 V FPM seals
 W suitable for HFA and HFC emulsions

only for clogging indicator
 type "D"

2.2 REPLACEMENT ELEMENT

5.03.09 D 03 BN /-V

Size _____

09 9"
 18 18"
 27 27"

Type _____

D

Filtration rating in µm _____

BN, BH : 03, 05, 10, 20
 W : 25, 74, 149

Filter material _____

BN, BH, W

Supplementary details _____

V (for descriptions, see point 2.1)

2.3 REPLACEMENT CLOGGING INDICATOR

VD 5 D . X /-L24

Type _____

VD differential pressure indicator up to 420 bar operational pressure

Pressure setting _____

5 standard 5 bar, others on request

Type of clogging indicator _____

D (see point 2.1)

Modification number _____

X the latest version is always supplied

Supplementary details _____

L..., LED, V, W (for descriptions, see point 2.1)

3. FILTER CALCULATION / SIZING

The total pressure drop of a filter at a certain flow rate Q is the sum of the housing Δp and the element Δp and is calculated as follows:

$$\Delta p_{\text{total}} = \Delta p_{\text{housing}} + \Delta p_{\text{element}}$$

$$\Delta p_{\text{housing}} = (\text{see Point 3.1})$$

$$\Delta p_{\text{element}} = Q \cdot \frac{SK^*}{1000} \cdot \frac{\text{viscosity}}{30}$$

(*see Point 3.2)

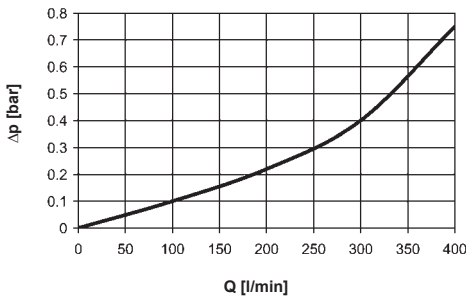
For ease of calculation, our Filter Sizing Program is available on request free of charge.

NEW: Sizing online at www.hydac.com

3.1 Δp -Q HOUSING CURVES BASED ON ISO 3968

The housing curves apply to mineral oil with a density of 0.86 kg/dm³ and a kinematic viscosity of 30 mm²/s. In this case, the differential pressure changes proportionally to the density.

HF4P

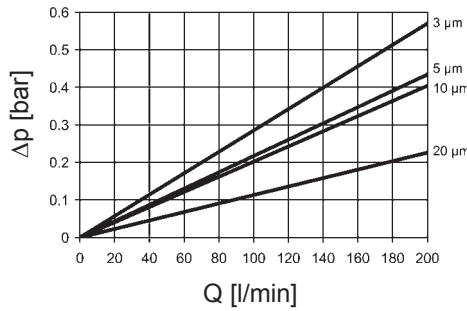


3.2 GRADIENT COEFFICIENTS (SK) FOR FILTER ELEMENTS

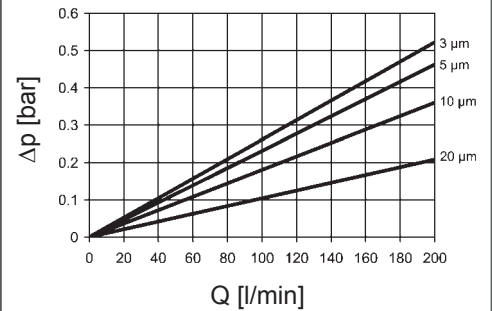
The gradient coefficients in mbar/(l/min) apply to mineral oils with a kinematic viscosity of 30 mm²/s. The pressure drop changes proportionally to the change in viscosity.

HF4P	BN				BH				W
	3 μm	5 μm	10 μm	20 μm	3 μm	5 μm	10 μm	20 μm	-
09	2.85	2.17	2.02	1.13	2.61	2.31	1.80	1.04	0.128
18	1.35	1.04	0.97	0.53	1.21	1.05	0.84	0.49	0.073
27	0.88	0.67	0.62	0.35	0.80	0.71	0.55	0.32	0.036

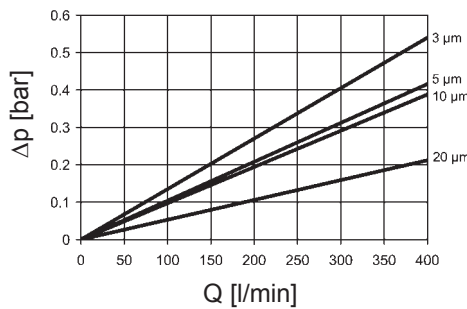
09 BN:



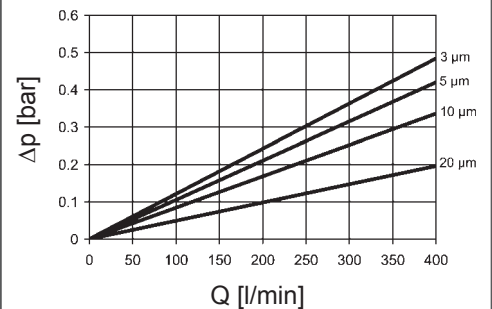
09 BH:



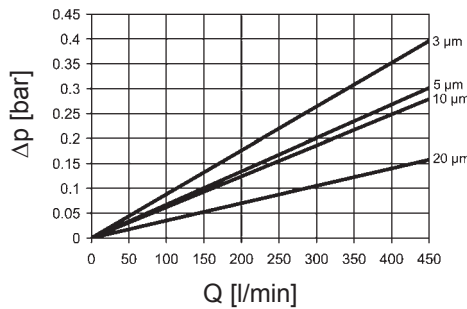
18 BN:



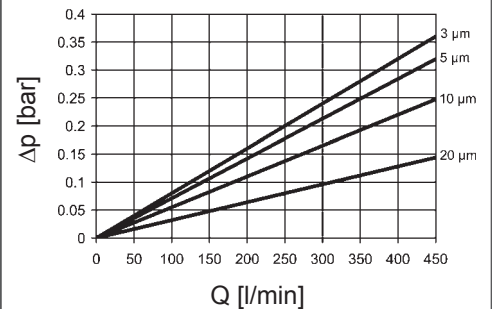
18 BH:



27 BN:



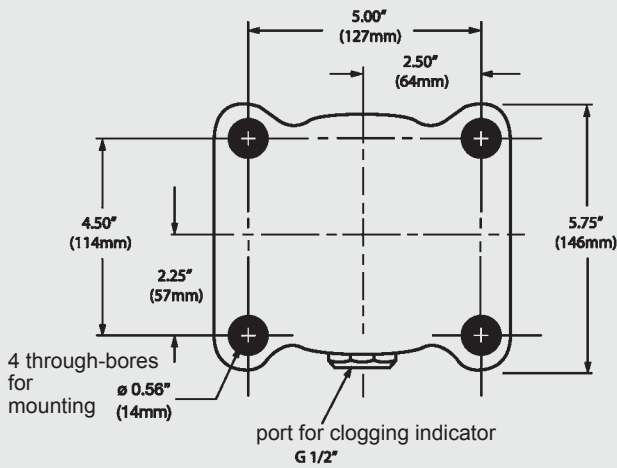
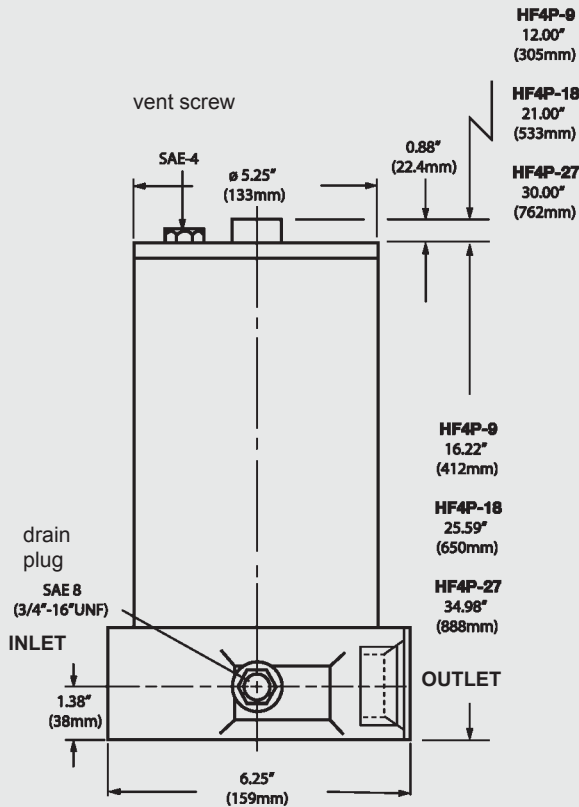
27 BH:



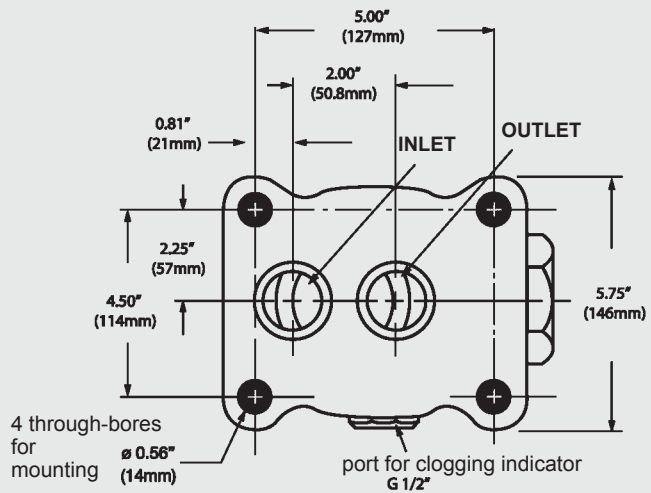
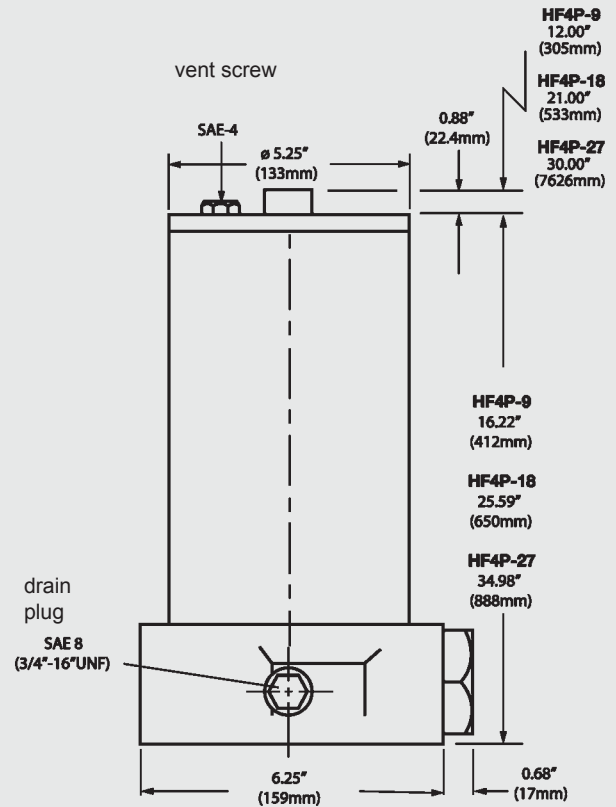
4. DIMENSIONS

HF4P

As inline filter



As manifold mounted filter



HF4P	Weight incl. element [kg]
09	26.94
18	35.97
27	47.90

NOTE

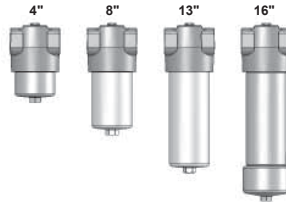
The information in this brochure relates to the operating conditions and applications described.
For applications or operating conditions not described, please contact the relevant technical department.
Subject to technical modifications.

HYDAC FILTERTECHNIK GMBH
Industriegebiet
66280 Sulzbach/Saar, Germany
Tel.: 0 68 97 / 509-01
Fax: 0 68 97 / 509-300
Internet: www.hydac.com
E-mail: filter@hydac.com



Inline Filter HF3P

up to 450 l/min, up to 420 bar



1. TECHNICAL SPECIFICATIONS

1.1 FILTER HOUSING

Construction

The filter housings are designed in accordance with international regulations. They consist of a filter head and a screw-in filter bowl.

Standard equipment:

- bypass valve
- connection for a clogging indicator

1.2 FILTER ELEMENTS

HYDAC filter elements are validated and their quality is constantly monitored according to the following standards:

- ISO 2941
- ISO 2942
- ISO 2943
- ISO 3724
- ISO 3968
- ISO 11170
- ISO 16889

Filter elements are available with the following pressure stability values:

Betamicon® (BN): 20 bar
 Betamicon® (BH): 210 bar

1.3 FILTER SPECIFICATIONS

Nominal pressure	420 bar
Fatigue strength	At nominal pressure 10 ⁶ cycles from 0 to nominal pressure
Temperature range	-30 °C to +100 °C
Material of filter head	EN-GJS
Material of filter bowl	Steel
Type of clogging indicator	VD (differential pressure measurement up to 420 bar operating pressure)
Pressure setting of the clogging indicator	5 bar (others on request)
Bypass cracking pressure	6 bar (others on request)

1.4 SEALS

NBR (= Perbunan)

1.5 INSTALLATION

As inline filter

1.6 SPECIAL MODELS AND ACCESSORIES

- Without bypass valve
- Without port (no clogging indicator)

1.7 SPARE PARTS

See Original Spare Parts List

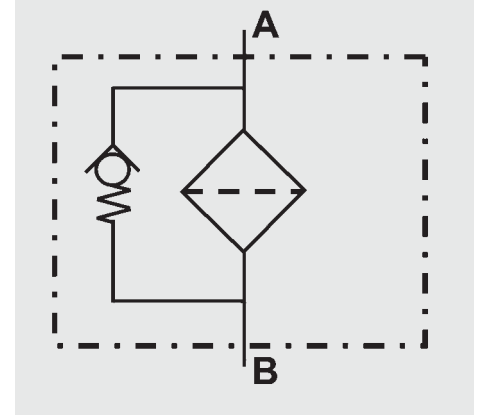
1.8 CERTIFICATES AND APPROVALS

On request

1.9 COMPATIBILITY WITH HYDRAULIC FLUIDS ISO 2943

- Hydraulic oils H to HLPD DIN 51524
- Lubrication oils DIN 51517, API, ACEA, DIN 51515, ISO 6743
- Compressor oils DIN 51506
- Biodegradable operating fluids VDMA 24568 HETG, HEES, HEPG
- Fire-resistant fluids HFA, HFB, HFC and HFD
- Operating fluids with high water content (>50% water content) on request

Symbol for hydraulic systems



2. MODEL CODE (also order example)

HF3P BN 08 G 3 C 1 . X /12 V-B6

2.1 COMPLETE FILTER

Filter type _____

HF3P

Filter material of element _____

BN Betamicron® (BN)

BH Betamicron® (BH)

Size of filter or element _____

04 4"

08 8"

13 13"

16 16"

Port _____

G threaded port

F flange port

Filtration rating in µm _____

BN : 3, 6, 12, 25

BH : 3, 6, 10, 17

Type of clogging indicator _____

W without port (no clogging indicator)

A steel blanking plug in indicator port

B visual

C electrical } for other clogging indicators,
D visual and electrical } see brochure no. 7.050../..

J electrical switch (Brad Harrison 5 Pin Mini)

J4 electrical switch (Brad Harrison 4 Pin Micro)

Type code _____

1 2" flange (420 bar) or SAE 24" or G ½

2 1½" flange (210 bar)

3 1" SAE 16 or G 1" thread

Modification number _____

X the latest version is always supplied

Supplementary details _____

0 G 1½" or G 1 BSPP

12 SAE 24" or 16" O-ring boss

16 SAE 2" flange (420 bar) or 1½" (210 bar)

B. bypass cracking pressure (e.g. B3 = 3 bar); no details = without bypass valve

L... light with appropriate voltage (24, 48, 110, 220 Volt)

LED 2 light-emitting diodes up to 24 Volt

V FPM seals

W suitable for HFA and HFC emulsions

2.2 REPLACEMENT ELEMENT

1.11.08 D 03 BN /-V

Size _____

04 4"

08 8"

13 13"

16 16"

Type _____

D

Filtration rating in µm _____

BN: 03, 06, 12, 25

BH: 03, 06, 10, 17

Filter material _____

BN, BH

Supplementary details _____

V (for descriptions, see point 2.1)

2.3 REPLACEMENT CLOGGING INDICATOR

VD 5 D . X /-L24

Type of indicator _____

VD Differential pressure indicator up to 420 bar operating pressure

Pressure setting _____

5 standard 5 bar, others on request

Type of clogging indicator _____

D (see point 2.1)

Modification number _____

X the latest version is always supplied

Supplementary details _____

L..., LED, V, W (for descriptions, see point 2.1)

3. FILTER CALCULATION / SIZING

The total pressure drop of a filter at a certain flow rate Q is the sum of the housing Δp and the element Δp and is calculated as follows:

$$\Delta p_{\text{total}} = \Delta p_{\text{housing}} + \Delta p_{\text{element}}$$

$$\Delta p_{\text{housing}} = \text{(see Point 3.1)}$$

$$\Delta p_{\text{element}} = Q \cdot \frac{SK^*}{1000} \cdot \frac{\text{viscosity}}{30}$$

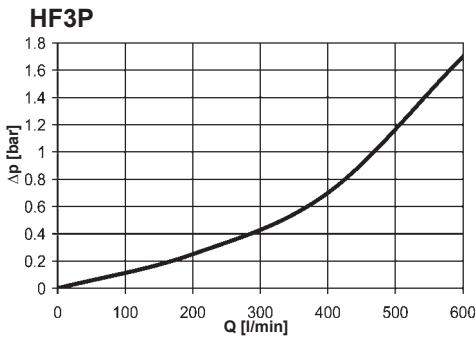
(*see Point 3.2)

For ease of calculation, our Filter Sizing Program is available on request free of charge.

NEW: Sizing online at www.hydac.com

3.1 Δp -Q HOUSING CURVES BASED ON ISO 3968

The housing curves apply to mineral oil with a density of 0.86 kg/dm³ and a kinematic viscosity of 30 mm²/s. In this case, the differential pressure changes proportionally to the density.

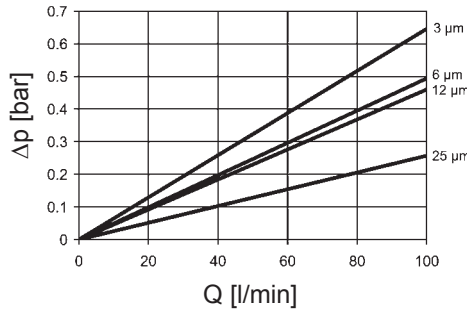


3.2 GRADIENT COEFFICIENTS (SK) FOR FILTER ELEMENTS

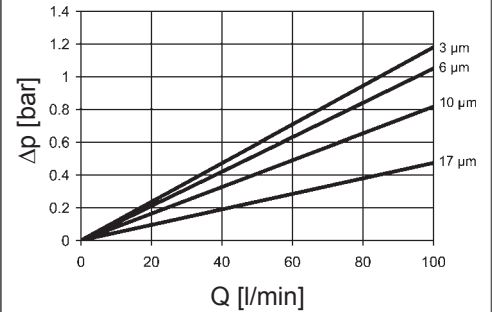
The gradient coefficients in mbar/(l/min) apply to mineral oils with a kinematic viscosity of 30 mm²/s. The pressure drop changes proportionally to the change in viscosity.

HF3P	BN				BH			
	3 μm	6 μm	12 μm	25 μm	3 μm	6 μm	10 μm	17 μm
04	6.46	4.94	4.60	2.57	11.79	10.49	8.16	4.74
08	3.28	2.51	2.43	1.30	5.73	5.10	3.98	2.30
13	1.98	1.52	1.41	0.78	3.44	3.06	2.38	1.38
16	1.51	1.15	1.08	0.60	2.59	2.28	1.80	1.04

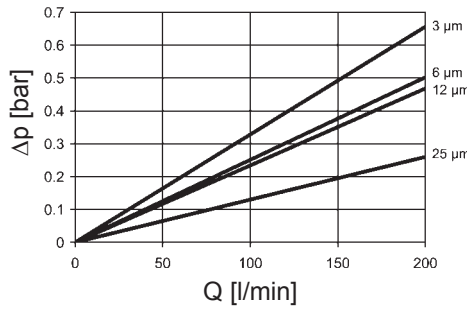
04 BN:



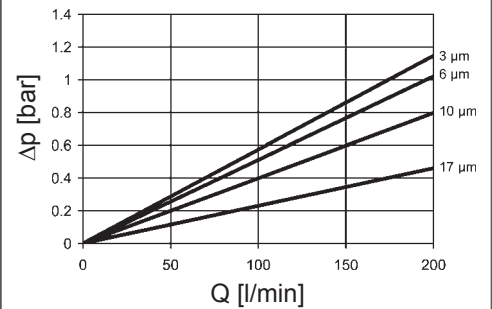
04 BH:



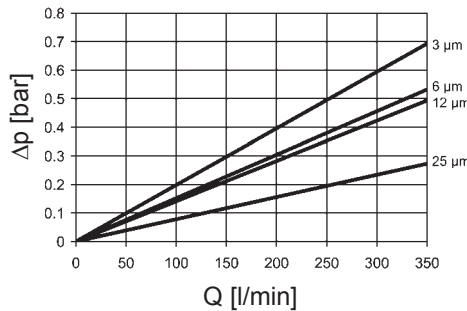
08 BN:



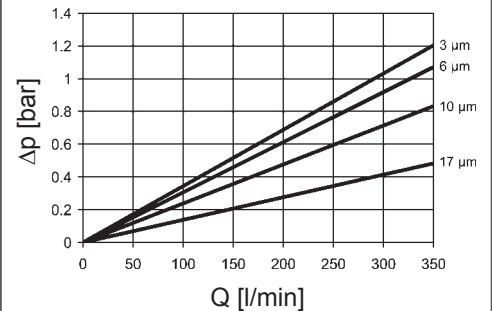
08 BH:



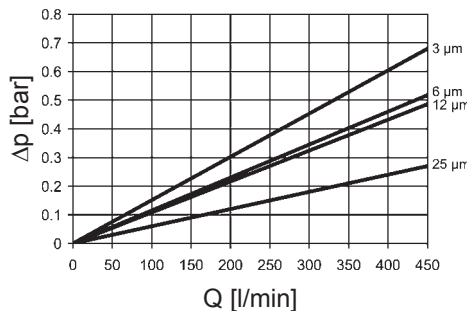
13 BN:



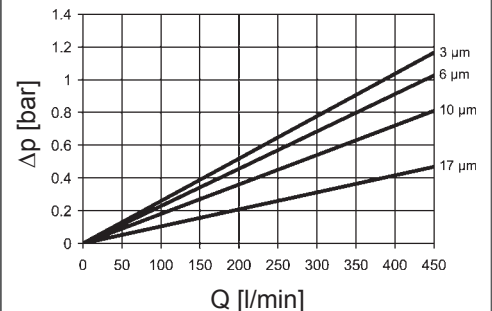
13 BH:



16 BN:

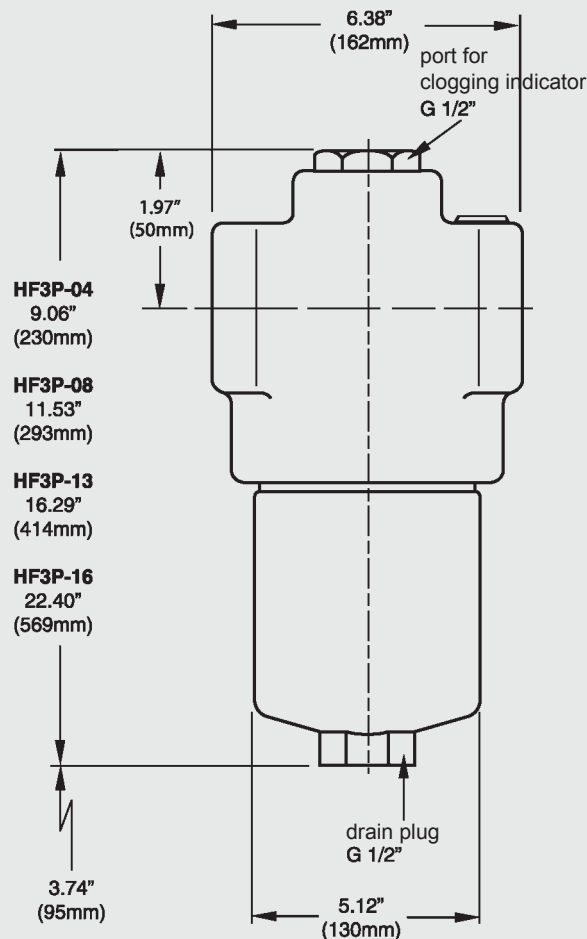
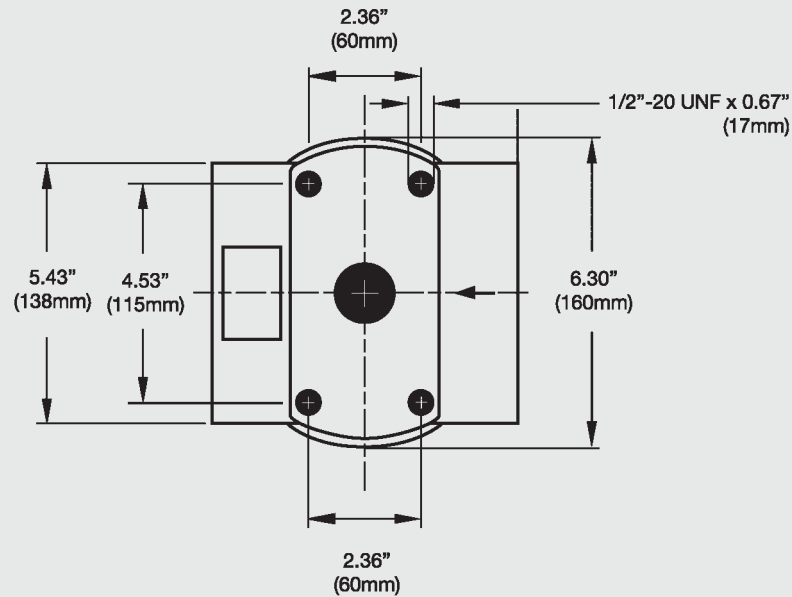


16 BH:



4. DIMENSIONS

HF3P

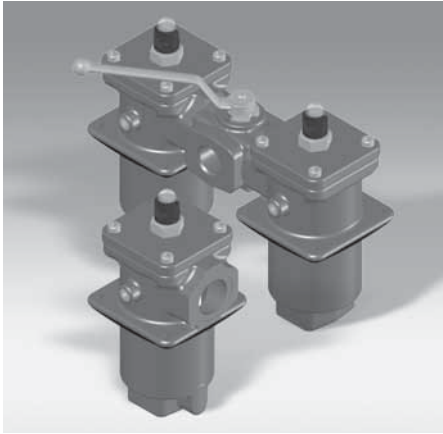


HF3P	Weight incl. element [kg]
04	20.32
08	22.45
13	28.53
16	43.41

NOTE

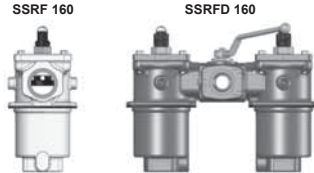
The information in this brochure relates to the operating conditions and applications described.
 For applications and operating conditions not described, please contact the relevant technical department.
 Subject to technical modifications.

HYDAC FILTERTECHNIK GMBH
 Industriegebiet
66280 Sulzbach/Saar, Germany
 Tel.: 0 68 97 / 509-01
 Fax: 0 68 97 / 509-300
 Internet: www.hydac.com
 E-mail: filter@hydac.com



Return Line Filter SSRF and Change-Over Return Line Filter SSRFD

up to 150 l/min, up to 25 bar



1. TECHNICAL SPECIFICATIONS

1.1 FILTER HOUSING

Construction

The filter housings are designed in accordance with international regulations. They consist of a filter housing with cover plate.

Standard equipment:

- with bypass valve
- connection for a clogging indicator

1.2 FILTER ELEMENTS

HYDAC filter elements are validated and their quality is constantly monitored according to the following standards:

- ISO 2941
- ISO 2942
- ISO 2943
- ISO 3724
- ISO 3968
- ISO 11170
- ISO 16889

Contamination retention capacities in g

Betamicon® (BN4HC)					
SSRF Elements	3 µm	5 µm	10 µm	20 µm	
160	1x0160 R	18.6	20.7	24.9	28.1

Betamicon® (BN4HC)					
SSRF Elements	3 µm	5 µm	10 µm	20 µm	
160	2x0160 R	18.6	20.7	24.9	28.1

Filter elements are available with the following pressure stability values:

Betamicon® (BN4HC):	20 bar
ECOMICRON® (ECON2):	10 bar
Wire mesh (W/HC):	30 bar
Stainless steel fibre (V):	210 bar
Betamicon®/Aquamicron® (BN4AM):	10 bar
Aquamicron® (AM):	10 bar

1.3 FILTER SPECIFICATIONS

Nominal pressure	25 bar
Temperature range	-10 °C to +100 °C
Material of filter housing and cover plate	Stainless steel BS 3146-ANC4BFC
Type of clogging indicator	VR Connection thread G ½ (return line indicator up to 25 bar operating pressure)
Pressure setting of the clogging indicator	2 bar (others on request)
Bypass cracking pressure	3 bar (others on request)

1.4 SEALS

NBR (=Perbunan)

1.5 INSTALLATION

Tank-top filter

1.6 SPECIAL MODELS AND ACCESSORIES

On request

1.7 SPARE PARTS

See Original Spare Parts List

1.8 CERTIFICATES AND APPROVALS

On request

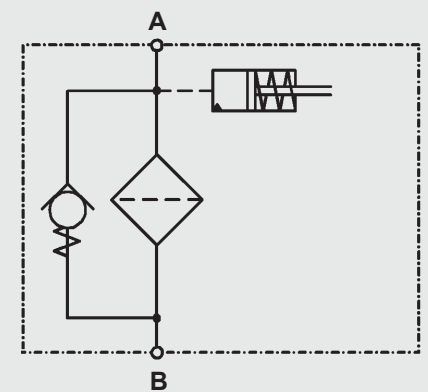
1.9 COMPATIBILITY WITH HYDRAULIC FLUIDS ISO 2943

- Hydraulic oils H to HLPD DIN 51524
- Lubrication oils DIN 51517, API, ACEA, DIN 51515, ISO 6743
- Compressor oils DIN 51506
- Biodegradable operating fluids VDMA 24568 HETG, HEES, HEPG
- Fire-resistant fluids HFA, HFB, HFC and HFD
- Operating fluids with high water content (>50% water content) on request

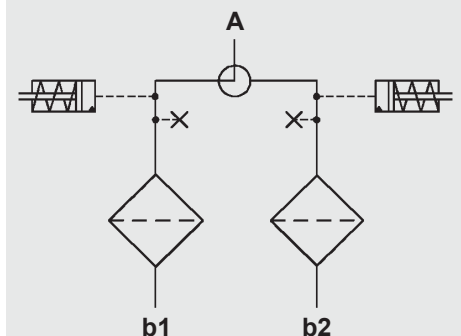
1.10 IMPORTANT INFORMATION

- Filter housings must be earthed.
- When using electrical clogging indicators, the electrical power supply to the system must be switched off before removing the clogging indicator connector.

Symbol for hydraulic systems



SSRFD



2. MODEL CODE (also order example)

SSRF BN/HC 160 D E 10 D 1 . X /-L24

2.1 COMPLETE FILTER

Filter type

SSRF Single filter
SSRFD Change-over filter

Filter material of element

BN/HC Betamicon® (BN4HC)
ECO ECOmicron® (ECON2)
V Stainless steel fibre
W/HC Wire mesh
AM Aquamicon®
BN/AM Betamicon®/Aquamicon® (BN4AM)

Size of filter or element

SSRF/SSRFD: 160

Operating pressure

D = 25 bar

Type and size of connection

Type	Port (thread)	Filter size
		160
D	G 1	●
E	G 1 1/4	●
N	NPT 1"	●
I	SAE DN 25 (1")	●

Filtration rating in µm

BN/HC, ECO, V: 3, 5, 10, 20 P/HC: 10, 20 AM: 40
W/HC: 25, 50, 100, 200 BN/AM: 3, 10

Type of clogging indicator

Y plastic blanking plug in indicator port
A stainless steel blanking plug in indicator port
B visual
C electrical
D visual and electrical
for other clogging indicators, see brochure no. 7.050../..

Type code

1 Standard indicator port in cover
2 Standard indicator port in cover + 2 secondary take-off ports (¼ NPTF) in housing

Modification number

X the latest version is always supplied

Supplementary details

B cracking pressure of bypass (e.g. B6 = 6 bar);
KB without bypass valve
L... light with appropriate voltage (24, 48, 110, 220 Volt)] only for clogging indicators type "D"
LED 2 light emitting diodes up to 24 Volt
EX/ENC electrical clogging indicator EX version (Eexd IIC T6; with IP66 junction box M20x1.5)
EX/FL electrical clogging indicator EX version (Eexd IIC T6; with flying lead – 2m or 10m)
IS/ENC intrinsically safe electrical clogging indicator with IP66 junction box (M20x1.5 cable entry)
IS/FL intrinsically safe electrical clogging indicator (with flying leads – 2m or 10m)
SS elements with stainless steel support tube
V FPM seals

2.2 REPLACEMENT ELEMENT

0160 R 010 BN4HC /-V

Size

0160

Type

R

Filtration rating in µm

BN4HC, ECON2, V: 003, 005, 010, 020 P/HC: 010, 020 AM: 040
W/HC: 025, 050, 100, 200 BN4AM: 003, 010

Filter material

BN4HC, ECON2, V, W/HC, P/HC, BN4AM, AM

Supplementary details

SS-SO361 stainl. steel core and end caps, polyamide support fibre
V (for descriptions, see Point 2.1)

2.3 REPLACEMENT CLOGGING INDICATOR

VR 2 D . X /-L24

Type

VR return line indicator up to 25 bar operating pressure

Pressure setting

2 standard 2 bar, others on request

Type of clogging indicator

D (see Point 2.1)

Modification number

X the latest version is always supplied

Supplementary details

L..., LED, V (for descriptions, see point 2.1)

3. FILTER CALCULATION / SIZING

The total pressure drop of a filter at a certain flow rate Q is the sum of the housing Δp and the element Δp and is calculated as follows:

$$\Delta p_{\text{total}} = \Delta p_{\text{housing}} + \Delta p_{\text{element}}$$

$$\Delta p_{\text{housing}} = (\text{see Point 3.1})$$

$$\Delta p_{\text{element}} = Q \cdot \frac{SK^*}{1000} \cdot \frac{\text{viscosity}}{30}$$

(*see point 3.2)

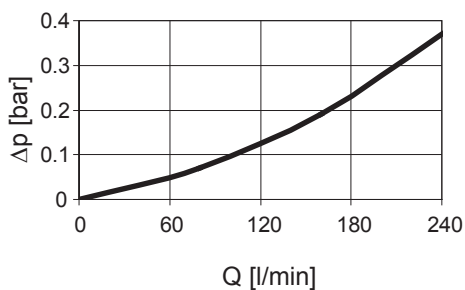
For ease of calculation, our Filter Sizing Program is available on request free of charge.

NEW: Sizing online at www.hydac.com

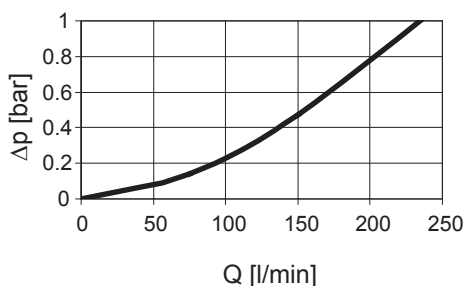
3.1 Δp -Q HOUSING CURVES BASED ON ISO 3968

The housing curves apply to mineral oil with a density of 0.86 kg/dm³ and a kinematic viscosity of 30mm²/s. In this case, the differential pressure changes proportionally to the density.

SSRF 160



SSRFD 160

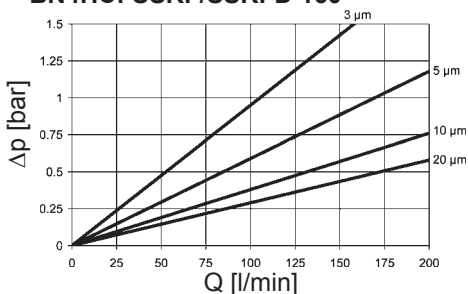


3.2 GRADIENT COEFFICIENTS (SK) FOR FILTER ELEMENTS

The gradient coefficients in mbar/(l/min) apply to mineral oils with a kinematic viscosity of 30 mm²/s. The pressure drop changes proportionally to the change in viscosity.

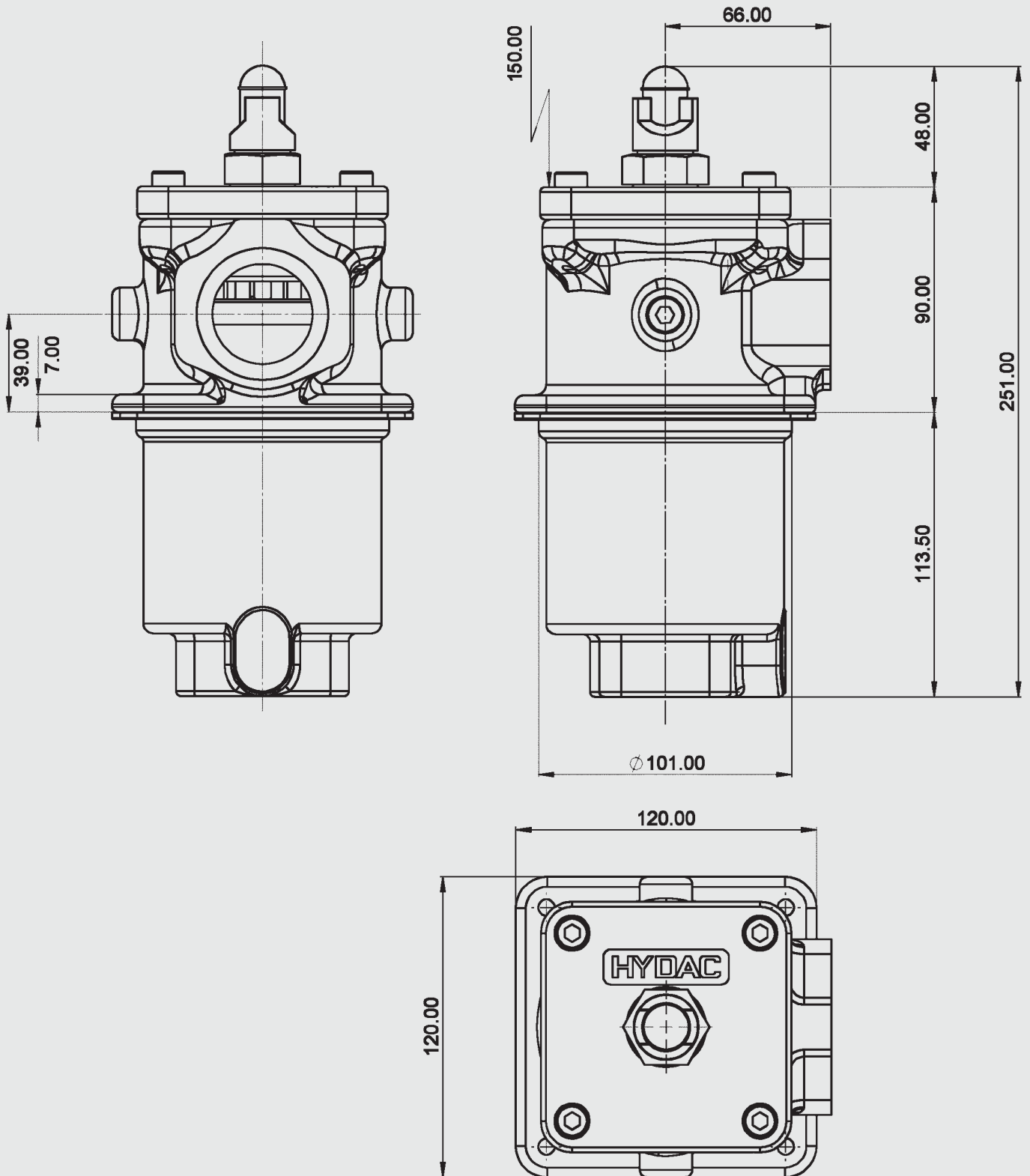
SSRF/ SSRFD	V				W/HC -	ECON2			
	3 μm	5 μm	10 μm	20 μm		3 μm	5 μm	10 μm	20 μm
160	4.9	3.5	2.4	1.5	0.348	9.5	5.9	3.8	2.9

BN4HC: SSRF/SSRFD 160



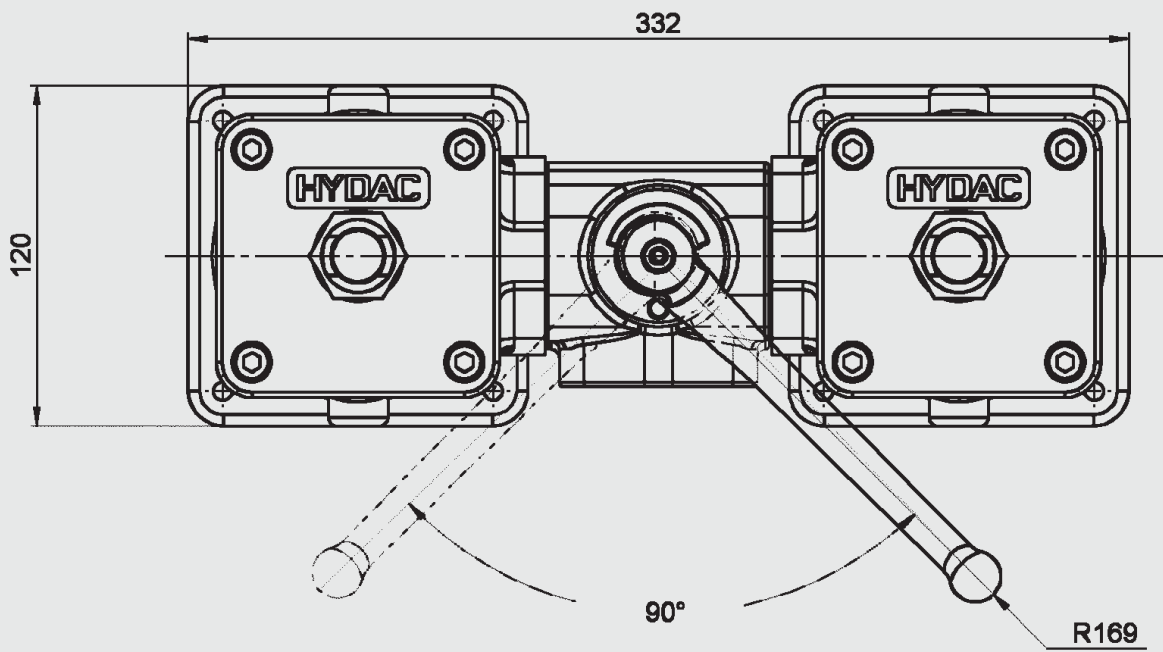
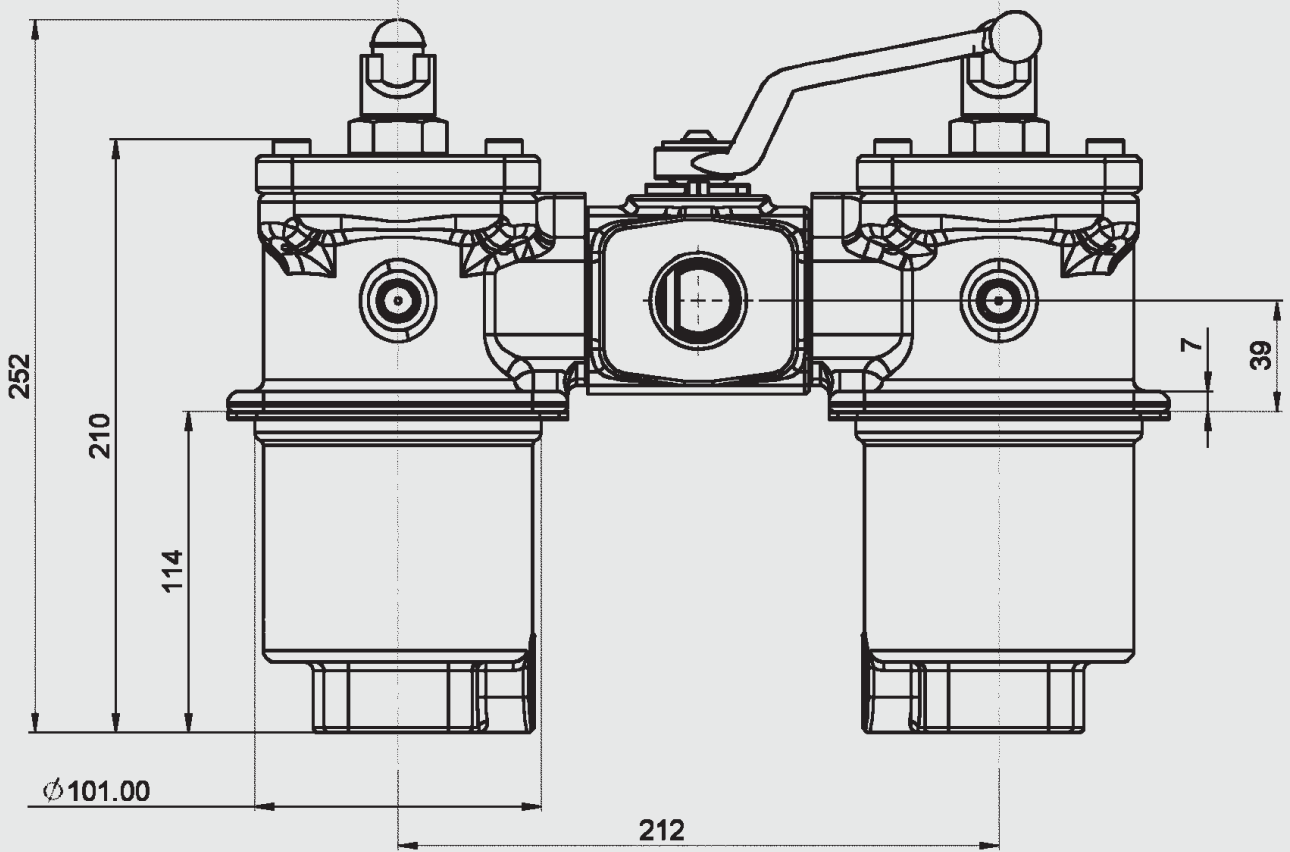
4. DIMENSIONS

SSRF 160



SSRF	Weight incl. element [kg]	Volume of pressure chamber [l]
160	1.5	0.90

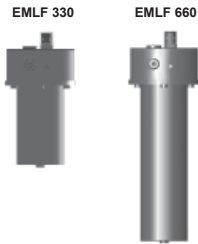
SSRFD 160



SSRFD	Weight incl. element [kg]	Volume of pressure chamber [l]
160	4.1	2.0



Return Inline / Recirculation Filter EMLF up to 150 l/min, up to 40 bar



1. TECHNICAL SPECIFICATIONS

1.1 FILTER HOUSING Construction

The filter housings are designed in accordance with international regulations. They consist of a filter head and a bolt-on filter bowl.

Standard equipment:

- with bypass valve
- connection for a clogging indicator
- oil drain plug in filter bowl

1.2 FILTER ELEMENTS

HYDAC filter elements are validated and their quality is constantly monitored according to the following standards:

- ISO 2941
- ISO 2942
- ISO 2943
- ISO 3724
- ISO 3968
- ISO 11170
- ISO 16889

Filter elements are available with the following pressure stability values:

Betamicon® (BN4HC):	20 bar
Betamicon®/	
Aquamicon®(BN/AM):	10 bar
Wire mesh (W/HC):	20 bar
ECOMICRON (ECON2):	10 bar

1.3 FILTER SPECIFICATIONS

Nominal pressure	40 bar
Test pressure	60 bar
Temperature range	-20 °C to +100 °C
Material of filter head	316 S11 stainless steel
Material of filter bowl	316 S11 stainless steel
Type of clogging indicator	VD (differential pressure indicator)
Pressure setting of clogging indicator	2 bar (others on request)
Bypass cracking pressure	3 bar (others on request)

1.4 SEALS

FPM (Viton)

1.5 INSTALLATION

As inline filter

1.6 SPECIAL MODELS AND ACCESSORIES

- Seals in NBR, NLT, EPDM, HNBR, Kalrez®
- Without bypass valve
- Without port for clogging indicator
- With gauge ports (for external piping of pressure sensors)
- Reverse flow check
- Twin indicator version
- Ex or IS differential indicators available
- Flanged versions available (SAE, RF, RTJ, Destec®)

1.7 SPARE PARTS

See Original Spare Parts List

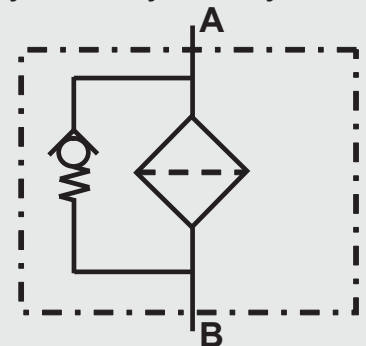
1.8 CERTIFICATES AND APPROVALS

On request

1.9 COMPATIBILITY WITH HYDRAULIC FLUIDS ISO 2943

- Hydraulic oils H to HLPD DIN 51524
- Lubrication oils DIN 51517, API, ACEA, DIN 51515, ISO 6743
- Compressor oils DIN 51506
- Biodegradable operating fluids VDMA 24568 HETG, HEES, HEPG
- Fire-resistant fluids HFA, HFB, HFC and HFD
- Operating fluids with high water content (>50% water content) on request

Symbol for hydraulic systems



2. MODEL CODE (also order example)

2.1 COMPLETE FILTER

	EMLF40 BN/HC 660 N4 005 B X /-V																										
Filter type _____																											
EMLF40 40 bar																											
Filter material _____																											
BN/HC Betamicron® (BN4HC)																											
BN/AM Betamicron®/Aquamicron® (BN4AM)																											
ECO ECOMicron (ECON2)																											
W/HC Wire mesh																											
Size of filter _____																											
330, 660																											
Type and size of connection _____																											
<table border="1" style="width: 100%; border-collapse: collapse; text-align: center;"> <thead> <tr> <th rowspan="2">Type</th> <th rowspan="2">Port (thread)</th> <th colspan="2">Filter size</th> </tr> <tr> <th>330</th> <th>660</th> </tr> </thead> <tbody> <tr> <td>B4</td> <td>1"-BSPP</td> <td>●</td> <td>●</td> </tr> <tr> <td>B5</td> <td>1¼"-BSPP</td> <td>●</td> <td>●</td> </tr> <tr> <td>N4</td> <td>1"-NPT</td> <td>●</td> <td>●</td> </tr> <tr> <td>N5</td> <td>1¼"-NPT</td> <td>●</td> <td>●</td> </tr> <tr> <td>F32</td> <td>SAE 32</td> <td>●</td> <td>●</td> </tr> </tbody> </table>	Type	Port (thread)	Filter size		330	660	B4	1"-BSPP	●	●	B5	1¼"-BSPP	●	●	N4	1"-NPT	●	●	N5	1¼"-NPT	●	●	F32	SAE 32	●	●	
Type			Port (thread)	Filter size																							
	330	660																									
B4	1"-BSPP	●	●																								
B5	1¼"-BSPP	●	●																								
N4	1"-NPT	●	●																								
N5	1¼"-NPT	●	●																								
F32	SAE 32	●	●																								
Filtration rating in µm _____																											
BN/HC, ECO : 003, 005, 010, 020																											
BN/AM : 003, 010																											
W/HC : 025, 050, 100, 200																											
Type of clogging indicator _____																											
W without port (no clogging indicator)																											
A stainless steel blanking plug in indicator port																											
B visual] for other clogging indicators see brochure no. 7.050../..																										
C electrical																											
D visual and electrical																											
UE vacuum gauge																											
BM+C visual with manual reset + electrical (= 2 indicators)																											
E 1/4"-NPT gauge ports for external connection of pressure sensors																											
Modification number _____																											
X the latest version is always supplied																											
Supplementary details _____																											
B cracking pressure of bypass (e.g. B6 = 6 bar); no details = without bypass valve																											
EX electrical clogging indicator EX version (Eexd IIC T6; cable length 3 m standard)																											
EX/ENC electrical clogging indicator EX version (Eexd IIC T6; with IP66 junction box, M20x1.5 cable entry)																											
IS intrinsically safe electrical clogging indicator with cable length 3 m (standard)																											
IS/ENC intrinsically safe electrical clogging indicator with IP66 junction box (M20x1.5 cable entry)																											
IS2GBC intrinsically safe electrical clogging indicator with gold contacts (e. g. suitable for PLC)																											
L... light with appropriate voltage (24, 48, 110, 220 Volt)] only for clogging indicators type "D"																										
LED 2 light emitting diodes up to 24 Volt																											
N NBR seals																											
V FPM seals																											
NLT nitrile low temperature seals																											
HNBR hydrogenated nitrile (high temperature) seals																											
EPDM EPDM seals																											
K Kalrez® seals																											

2.2 REPLACEMENT ELEMENT

	0660 D 005 BN4HC /-V
Size _____	
0330, 0660	
Type _____	
D	
Filtration rating in µm _____	
BN4HC, ECON2 : 003, 005, 010, 020	
BN/AM : 003, 010	
W/HC : 025, 050, 100, 200	
Filter material _____	
BN4HC, ECON2, BN/AM, W/HC	
Supplementary details _____	
V, N, NLT, HNBR, EPDM, K (for descriptions, see point 2.1)	

2.3 REPLACEMENT CLOGGING INDICATOR

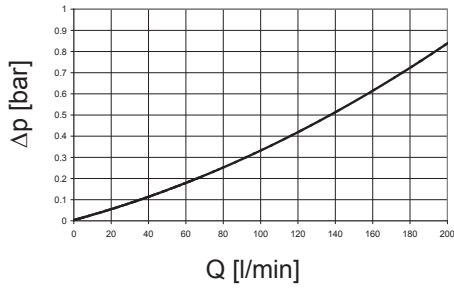
	VD 2 D . X /-V-L24
Type _____	
VD differential pressure indicator	
Pressure setting _____	
2 standard 2 bar, others on request	
Type _____	
(see Point 2.1)	
Modification number _____	
X the latest version is always supplied	
Supplementary details _____	
L..., LED, V, W (for descriptions, see point 2.1)	

3. FILTER CALCULATION / SIZING

3.1 Δp -Q HOUSING CURVES BASED ON ISO 3968

The housing curves apply to mineral oil with a density of 0.86 kg/dm³ and a kinematic viscosity of 30mm²/s. In this case, the differential pressure changes proportionally to the density.

EMLF

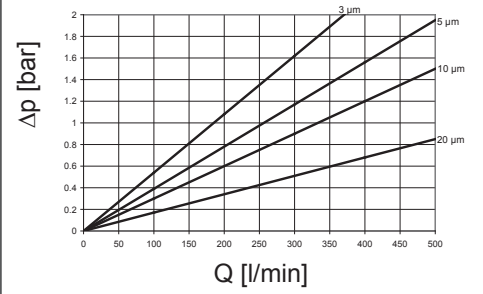


3.2 GRADIENT COEFFICIENTS (SK) FOR FILTER ELEMENTS

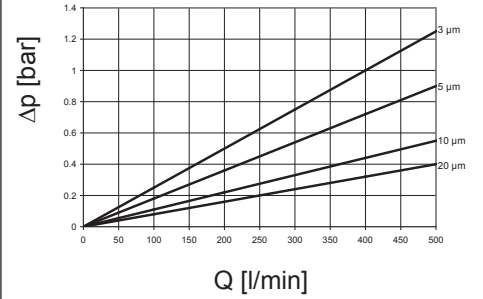
The gradient coefficients in mbar/(l/min) apply to mineral oils with a kinematic viscosity of 30 mm²/s. The pressure drop changes proportionally to the change in viscosity.

	ECON2		W/HC
	3 μm	10 μm	-
330	4.2	1.7	0.138
660	1.9	0.8	0.069

BN4HC: 330

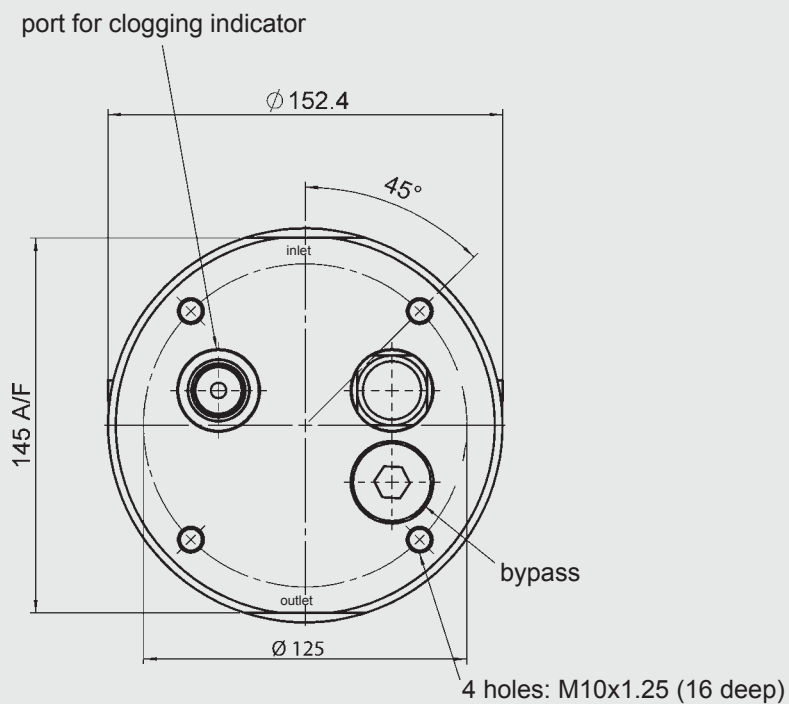
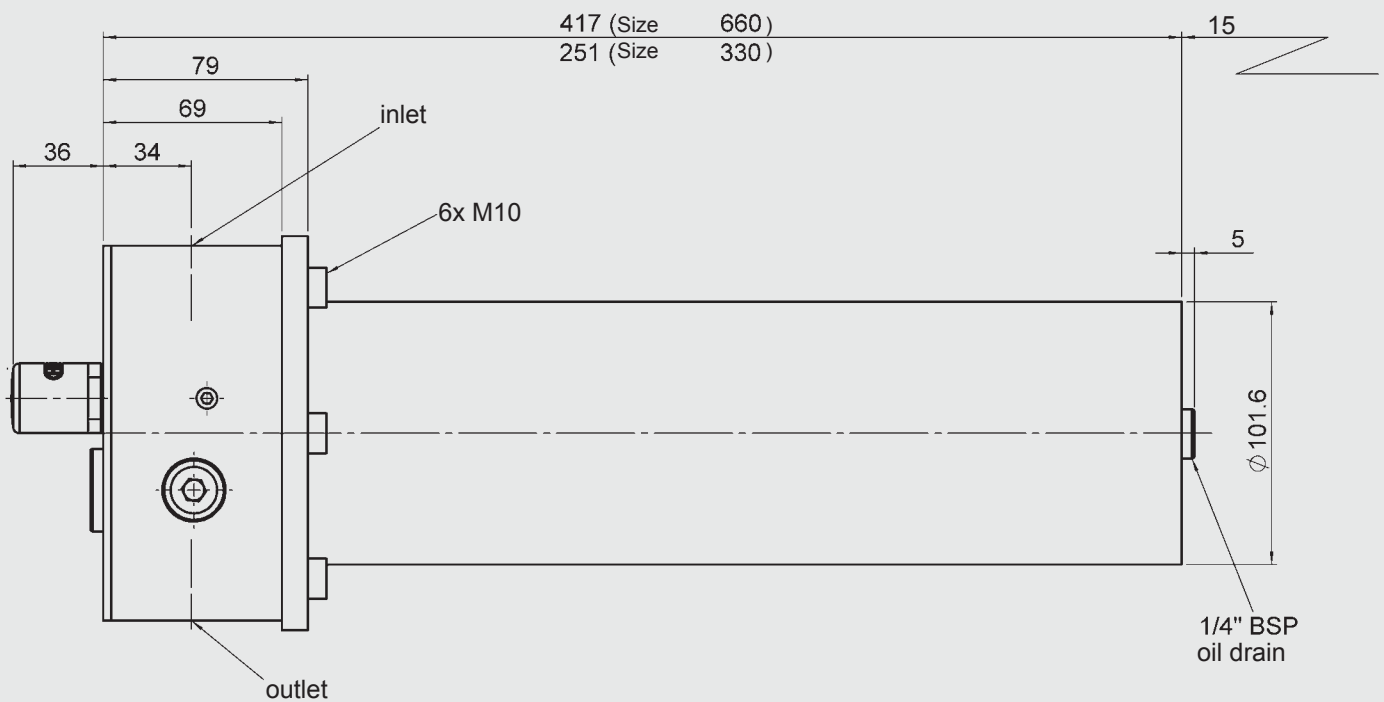


BN4HC: 660



4. DIMENSIONS

EMLF 330/660



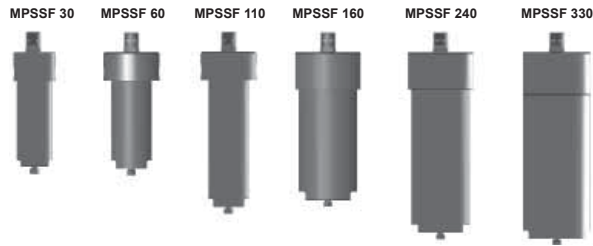
NOTE

The information in this brochure relates to the operating conditions and applications described.
For applications or operating conditions not described, please contact the relevant technical department.
Subject to technical modifications.

HYDAC FILTERTECHNIK GMBH
Industriegebiet
66280 Sulzbach/Saar, Germany
Tel.: 0 68 97 / 509-01
Fax: 0 68 97 / 509-300
Internet: www.hydac.com
E-mail: filter@hydac.com



Inline Filter MPSSF up to 130 l/min, up to 450 bar



1. TECHNICAL SPECIFICATIONS

1.1 FILTER HOUSING Construction

The filter housings are designed in accordance with international regulations. They consist of a filter head and a screw-on filter bowl. Standard equipment:

- without bypass valve
- connection for a clogging indicator
- oil drain plug in filter bowl

1.2 FILTER ELEMENTS

HYDAC filter elements are validated and their quality is constantly monitored according to the following standards:

- ISO 2941
- ISO 2942
- ISO 2943
- ISO 3724
- ISO 3968
- ISO 11170
- ISO 16889

Filter elements are available with the following pressure stability values:

Betamicon® (BN4HC):	20 bar
Betamicon® (BN4HC) /-SS-SO361:	20 bar
Betamicon® (BH4HC):	210 bar
Betamicon® (BH4HC) /-SS-SO361:	210 bar
Stainless steel wire mesh (D):	210 bar
Wire mesh (W/HC):	20 bar
Chemicon® (M):	210 bar

1.3 FILTER SPECIFICATIONS

Nominal pressure	450 bar
Test pressure	675 bar
Temperature range	-20 °C to +100 °C
Material of filter head	316 S11 stainless steel
Material of filter bowl	UNS 318.03 DUPLEX
Type of clogging indicator	VD (Diff. pressure indicator up to 450 bar oper. pressure)
Pressure setting of clogging indicator	5 bar (others on request)
Bypass cracking pressure (optional)	6 bar (others on request)

1.4 SEALS

FPM (Viton)

1.5 INSTALLATION

As inline filter or as manifold mounted filter

1.6 SPECIAL MODELS AND ACCESSORIES

- Seals in NBR, NLT, EPDM, HNBR, Kalrez®
- With bypass valve
- Without port for clogging indicator
- With gauge ports (for external piping of pressure sensors)
- Reverse flow check
- Twin indicator version
- Ex or IS differential indicators
- Flanged versions available (SAE, RF, RTJ, Destec®)

1.7 SPARE PARTS

See Original Spare Parts List

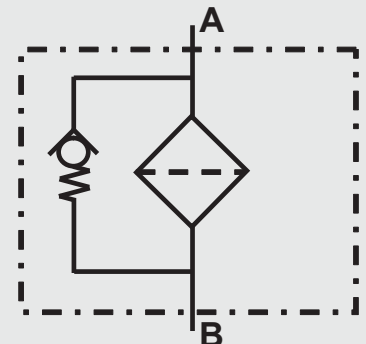
1.8 CERTIFICATES AND APPROVALS

On request

1.9 COMPATIBILITY WITH HYDRAULIC FLUIDS ISO 2943

- Hydraulic oils H to HLPD DIN 51524
- Lubrication oils DIN 51517, API, ACEA, DIN 51515, ISO 6743
- Compressor oils DIN 51506
- Biodegradable operating fluids VDMA 24568 HETG, HEES, HEPG
- Fire-resistant fluids HFA, HFB, HFC and HFD
- Operating fluids with high water content (>50% water content) on request

Symbol for hydraulic systems



2. MODEL CODE (also order example)

2.1 COMPLETE FILTER

MPSSF450 BH/HC 60 N2 005 B X /-V

Filter type

MPSSF450 450 bar

Filter material of element

BN/HC Betamicon® (BN4HC)
 BN/HC (-SS-SO361) Betamicon® (BN4HC) – stainl. steel core and end caps, polyamide support fibre
 BH/HC Betamicon® (BH4HC)
 BH/HC (-SS-SO361) Betamicon® (BH4HC) – stainl. steel core and end caps, polyamide support fibre
 M Chemicon®
 W/HC Wire mesh
 D Stainless steel wire mesh

Size of filter

30, 60, 110, 160, 240, 330

Type and size of connection

Type	Port thread	Filter size					
		30	60	110	160	240	330
BO	1/4" BSPP	●					
NO	1/4" NPT	●					
B2	1/2" BSPP	●	●	●	●	●	
N2	1/2" NPT	●	●	●	●	●	
B3	3/4" BSPP		●	●	●	●	●
N3	3/4" NPT		●	●	●	●	●
B4	1" BSPP				●	●	●
N4	1" NPT				●	●	●
B5	1 1/4" BSPP						●
N5	1 1/4" NPT						●
B6	1 1/2" BSPP						●
N6	1 1/2" NPT						●

Filtration rating in µm

BN/HC, BH/HC : 003, 005, 010, 020
 BN/HC, BH/HC (-SS-SO361) : 003, 010
 M : 001, 003, 005, 010, 020
 W/HC : 025, 050, 100, 200
 D : 025, 040, 060, 100, 150, 200, 250

Type of clogging indicator

W without port (no clogging indicator)
 A stainless steel blanking plug in indicator port
 B visual
 C electrical
 D visual and electrical
 E 1/4"-NPT gauge ports for external connection of pressure sensors – not for size 30
 BM+C visual with manual reset + electrical (= 2 indicators) – not for size 30

For other clogging indicators see brochure no. 7.050../..

Modification number

X the latest version is always supplied

Supplementary details

B. cracking pressure of bypass valve (e.g. B3 = 3 bar, B6 = 6 bar); no details = without bypass valve
 EX electrical clogging indicator EX version (Eexd IIC T6; cable length 3 m standard)
 EX/ENC electrical clogging indicator EX version (Eexd IIC T6; with IP66 junction box, M20x1.5 cable entry)
 IS intrinsically safe electrical clogging indicator with cable length 3 m (standard)
 IS/ENC intrinsically safe electrical clogging indicator with IP66 junction box (M20x1.5 cable entry)
 IS/2GBC intrinsically safe electrical clogging indicator with gold contacts (e. g. suitable for PLC)
 L... light with appropriate voltage (24, 48, 110, 220 Volt) only for clogging indicators
 LED 2 light emitting diodes up to 24 Volt Type "D"
 RC with reverse flow check (not for size 30)
 RCRFB reverse flow check and reverse flow bypass
 TB6 with triple bypass for reversible flow (= 1 check valve, 2 bypass valves - not for size 30)
 N NBR seals
 V FPM seals
 NLT nitrile low temperature seals
 HNBR hydrogenated nitrile (high temperature) seals
 EPDM EPDM seals
 K Kalrez® seals
 W suitable for HFA and HFC emulsions, optimized for water glycols

Example for MPSSF450 in manifold version (plate mount):

MPSSF450 BH/HC 60 P N2 005 B X /-V

Sizes

60P, 160P, 240P

2.2 REPLACEMENT ELEMENT

0060 D 003 BN4HC /-V-SS-SO361

Size _____
0030, 0060, 0110, 0160, 0240, 0330

Type _____
D

Filtration rating in µm _____
BN4HC, BH4HC : 003, 005, 010, 020
(Note: For /-SS-SO361
only 003 and 010 µm)
W/HC : 025, 050, 100, 200

Filter material _____
BN4HC, BH4HC, W/HC

Supplementary details _____
SS-SO361 stainl. steel core and end caps, polyamide support fibre
N, V, NLT, HNBR, EPDM, K (for descriptions, see Point 2.1)

2.3 REPLACEMENT ELEMENT - PROCESS TECHNOLOGY

060-DH-100-D-V

Size _____
030, 060, 110, 160, 240, 330

Type _____
DH

Filtration rating in µm _____
Chemicon® (M) : 001, 003, 005, 010, 020
St. st. wire mesh (D) : 025, 040, 060, 100, 150, 200, 250

Filter material _____
M, D

Supplementary details _____
N, V, NLT, HNBR, EPDM, K (for descriptions, see Point 2.1)

2.4 REPLACEMENT CLOGGING INDICATOR

VD 5 D . X /-V-L24

Type _____
VD differential pressure indicator

Pressure setting _____
5 standard 5 bar, others on request

Type _____
(see Point 2.1)

Modification number _____
X the latest version is always supplied

Supplementary details _____
L..., LED, V, W (for descriptions, see Point 2.1)

3. FILTER CALCULATION / SIZING

The total pressure drop of a filter at a certain flow rate Q is the sum of the housing Δp and the element Δp and is calculated as follows:

$$\Delta p_{\text{total}} = \Delta p_{\text{housing}} + \Delta p_{\text{element}}$$

$$\Delta p_{\text{housing}} = (\text{see Point 3.1})$$

$$\Delta p_{\text{element}} = Q \cdot \frac{SK^*}{1000} \cdot \frac{\text{viscosity}}{30}$$

(*see Point 3.2)

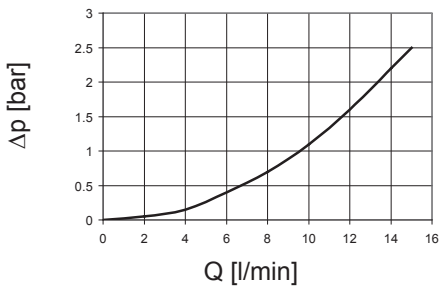
For ease of calculation, our Filter Sizing Program is available on request free of charge.

NEW: Sizing online at www.hydac.com

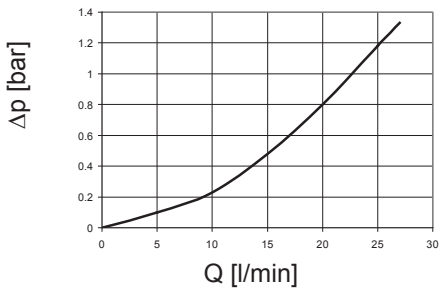
3.1 Δp -Q HOUSING CURVES BASED ON ISO 3968

The housing curves apply to mineral oil with a density of 0.86 kg/dm³ and a kinematic viscosity of 30mm²/s. In this case, the differential pressure changes proportionally to the density.

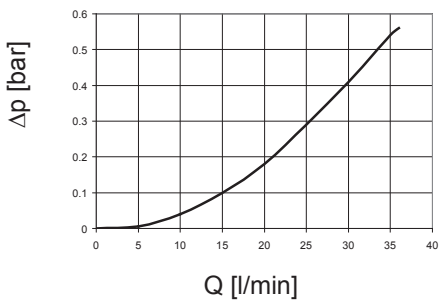
Size 30: 1/4" BSPP/NPT



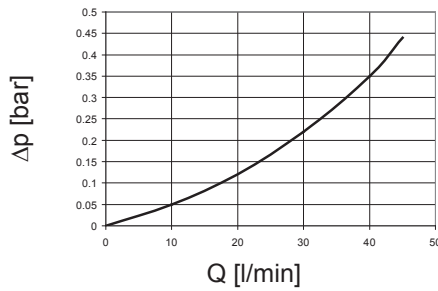
Size 30: 1/2" BSPP/NPT



Size 60-110: 1/2" BSPP/NPT

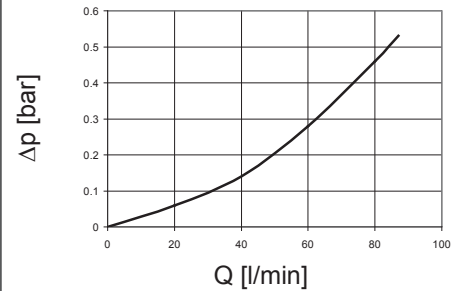


Size 60-110: 3/4" BSPP/NPT



Other curves on request

Size 60-240: 1" BSPP/NPT

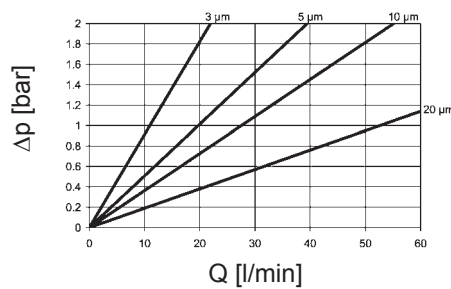


3.2 GRADIENT COEFFICIENTS (SK) FOR FILTER ELEMENTS

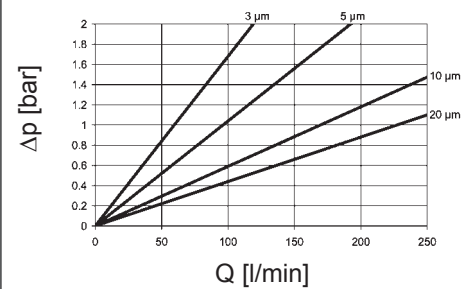
The gradient coefficients in mbar/(l/min) apply to mineral oils with a kinematic viscosity of 30 mm²/s. The pressure drop changes proportionally to the change in viscosity.

	BH4HC		W/HC
	3 μm	10 μm	—
30	91.2	36.3	—
60	58.6	18.1	0.757
110	25.4	8.9	0.413
160	16.8	5.9	0.283
240	10.6	3.9	0.189
330	7.7	2.8	0.138

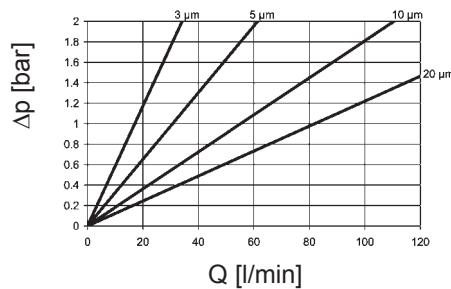
BN4HC: 30



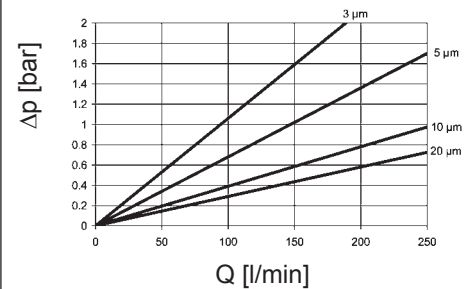
BN4HC: 160



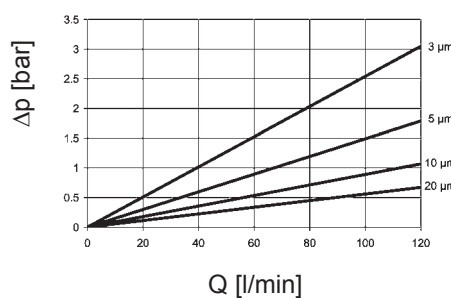
BN4HC: 60



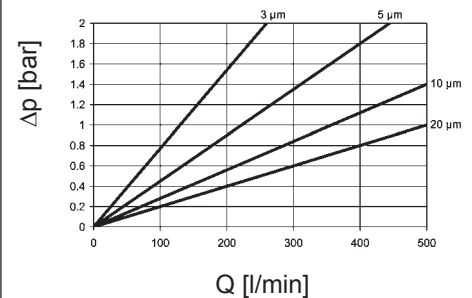
BN4HC: 240



BN4HC: 110



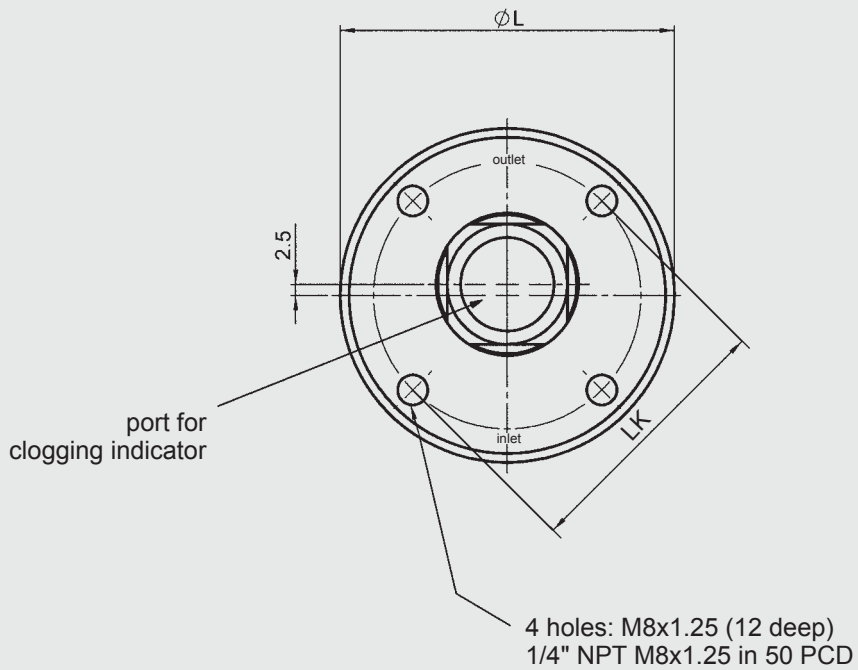
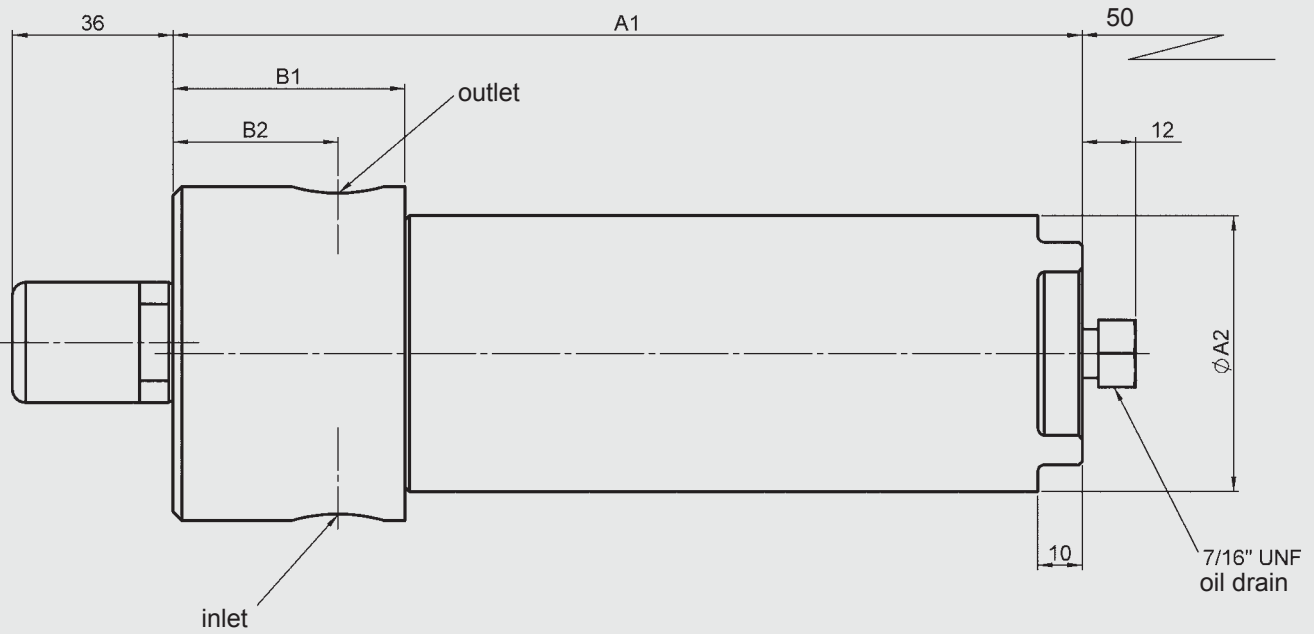
BN4HC: 330



4. DIMENSIONS

Inline Filter MPSSF450

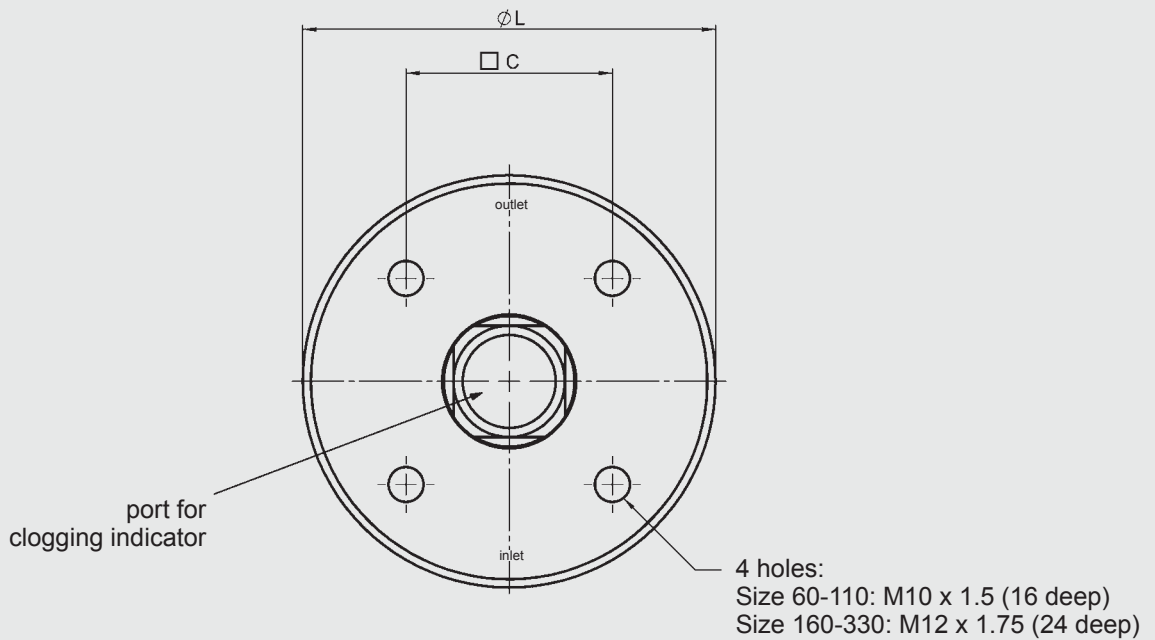
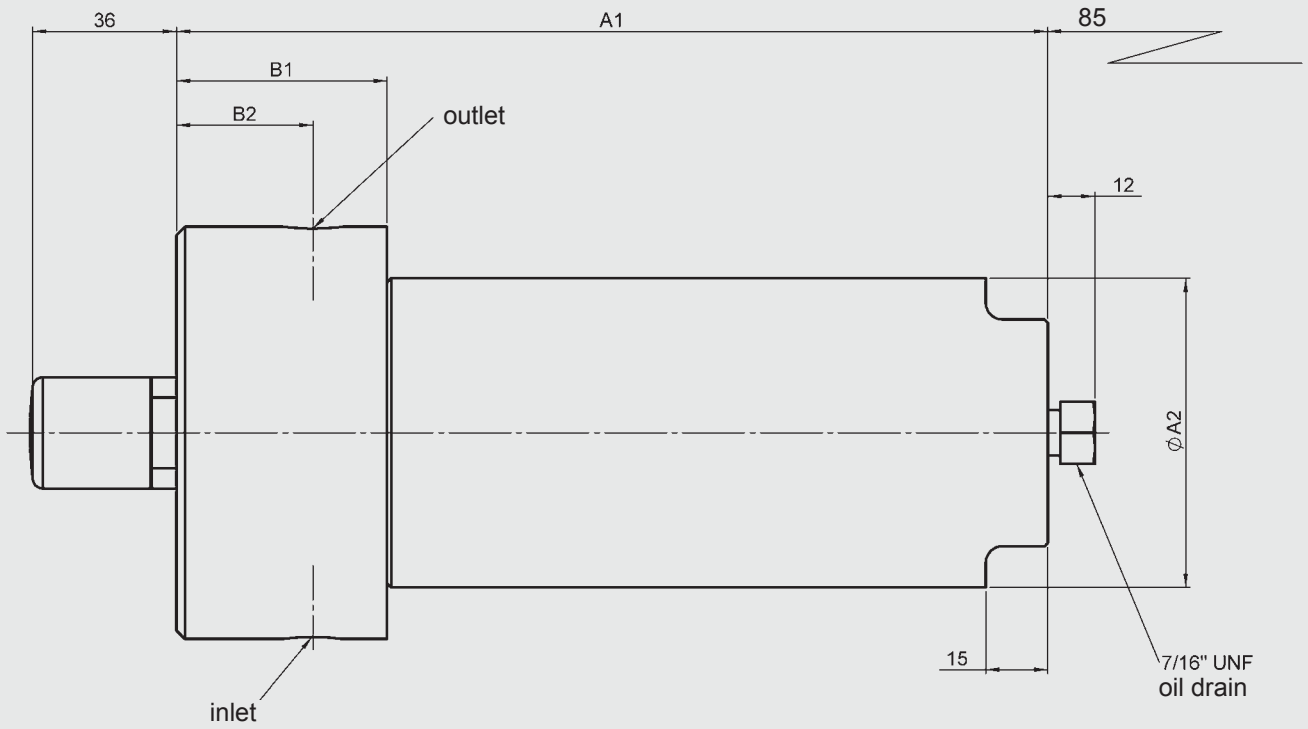
Size 30



MPSSF	A1	A2	b1	B2 ±5mm	L	LK
30	204	63.5	52	37	75	60
30 (1/4" NPT)	196	63.5	44	34	66	50

Inline Filter MPSSF450

Size 60 - 330

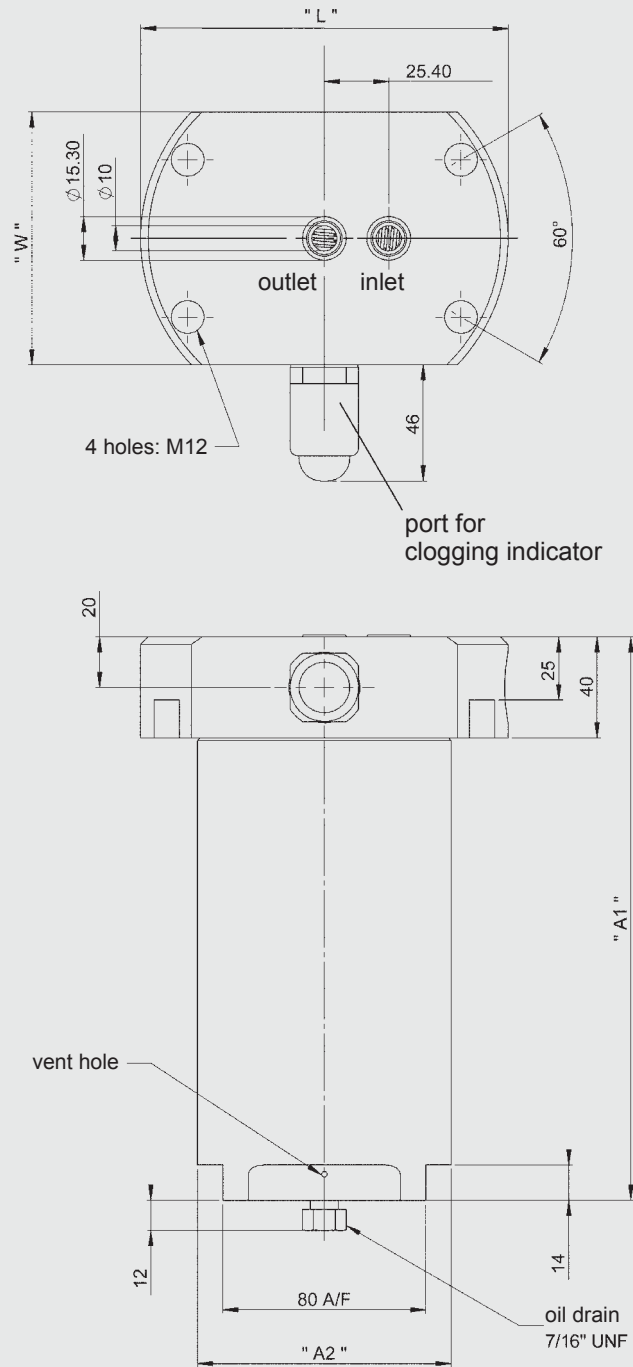


MPSSF	A1	A2	b1	B2 ±5mm	C	L	W
60	208	72	51	35	50	100	93
110	277	72	51	35	50	100	93
160	264	104	66	38	65	127	116
240	322	104	66	36	60	127	116
330	333	120	75	45	65	127	120

E 7.580.1/03.12

Inline filter, manifold-mounted MPSSF450...P (plate mount)

Size 60P, 160P, 240P

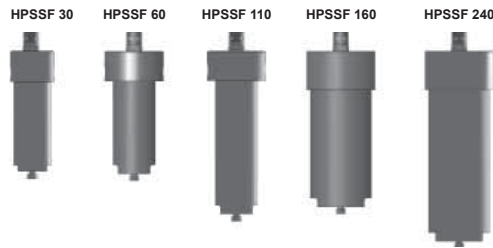


Type	A1	A2	W	L	PCD mounting holes	Weight incl. element [kg]
60P	201	72	88	100	76.2	7.50
160P	204	104	100	145	124.5	13.35
240P	261	104	100	145	124.5	18.93



Inline Filter HPSSF

up to 130 l/min, up to 700 bar



1. TECHNICAL SPECIFICATIONS

1.1 FILTER HOUSING

Construction

The filter housings are designed in accordance with international regulations. They consist of a filter head and a screw-on filter bowl. Standard equipment:

- with bypass valve
- connection for a clogging indicator
- oil drain plug in filter bowl

1.2 FILTER ELEMENTS

HYDAC filter elements are validated and their quality is constantly monitored according to the following standards:

- ISO 2941
- ISO 2942
- ISO 2943
- ISO 3724
- ISO 3968
- ISO 11170
- ISO 16889

Filter elements are available with the following pressure stability values:

Betamicon® (BN4HC):	20 bar
Betamicon® (BN4HC) /-SS-SO361:	20 bar
Betamicon® (BH4HC):	210 bar
Betamicon® (BH4HC) /-SS-SO361:	210 bar
Stainless steel wire mesh (D):	210 bar
Wire mesh (W/HC):	20 bar
Chemicon® (M):	210 bar

1.3 FILTER SPECIFICATIONS

Nominal pressure	600 bar (with BSP thread) 700 bar (with NPT thread or Autoclave)
Test pressure	900 or 1050 bar
Temperature range	-20 °C to +100 °C
Material of filter head	316 S11 stainless steel
Material of filter bowl	UNS 318.03 DUPLEX
Type of clogging indicator	VDHP (Diff. pressure indicator up to 700 bar oper. pressure)
Pressure setting of clogging indicator	5 bar (others on request)
Bypass cracking pressure	6 bar (others on request)

1.4 SEALS

FPM (Viton)

1.5 INSTALLATION

As inline filter

1.6 SPECIAL MODELS AND ACCESSORIES

- Seals in NBR, NLT, EPDM, HNBR, Kalrez®
- Without bypass valve
- Without port (no clogging indicator)
- With visual/electrical clogging indicator
- With gauge ports (for external piping of pressure sensors)
- Reverse flow check
- Twin indicator version
- Ex or IS differential indicators
- Flanged versions available (SAE, RF, RTJ, Destec®)

1.7 SPARE PARTS

See Original Spare Parts List

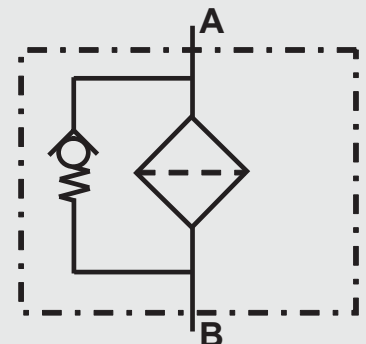
1.8 CERTIFICATES AND APPROVALS

On request

1.9 COMPATIBILITY WITH HYDRAULIC FLUIDS ISO 2943

- Hydraulic oils H to HLPD DIN 51524
- Lubrication oils DIN 51517, API, ACEA, DIN 51515, ISO 6743
- Compressor oils DIN 51506
- Biodegradable operating fluids VDMA 24568 HETG, HEES, HEPG
- Fire-resistant fluids HFA, HFB, HFC and HFD
- Operating fluids with high water content (>50% water content) on request

Symbol for hydraulic systems



2. MODEL CODE (also order example)

2.1 COMPLETE FILTER

HPSSF600 BH/HC 60 N2 005 B X /-V

Filter type

HPSSF600 600 bar (BSP thread)
 HPSSF700 700 bar (NPT/Autoclave thread)

Filter material of element

BN/HC Betamicon® (BN4HC)
 BN/HC (/SS-SO361) Betamicon® (BN4HC) – stainl. steel core and end caps, polyamide support fibre
 BH/HC Betamicon® (BH4HC)
 BH/HC (/SS-SO361) Betamicon® (BH4HC) – stainl. steel core and end caps, polyamide support fibre
 M Chemicon®
 W/HC Wire mesh
 D Stainless steel wire mesh

Size of filter

30, 60, 110, 160, 240

Type and size of connection for HPSSF600

Type	Port thread	Filter size				
		30	60	110	160	240
b0	1/4" BSPP	●				
B2	1/2" BSPP	●	●	●	●	●
B3	3/4" BSPP		●	●	●	●
B4	1" BSPP				●	●

Type and size of connection for HPSSF700

Type	Port thread	Filter size				
		30	60	110	160	240
N0	1/4" NPT	●	●			
N2	1/2" NPT	●	●	●	●	●
N3	3/4" NPT		●	●	●	●
N4	1" NPT				●	●
AA	7/16"-20	●				
A0	9/16"-18	●	●	●		
A1	13/16"-16		●	●	●	●
A2	3/4"-14z				●	●
A3	1-3/8"-12				●	●

Filtration rating in µm

BN/HC, BH/HC : 003, 005, 010, 020
 BN/HC, BH/HC (/SS-SO361) : 003, 010
 M : 001, 003, 005, 010, 020
 W/HC : 025, 050, 100, 200
 D : 025, 040, 060, 100, 150, 200, 250

Type of clogging indicator

W without port (no clogging indicator)
 A stainless steel blanking plug in indicator port
 B visual
 C electrical
 D visual and electrical
 E 1/4"-NPT gauge ports for external connection of pressure sensors – not for size 30
 BM+C visual with manual reset + electrical (= 2 indicators) – not for size 30

For other clogging indicators see brochure no. 7.050../..

Modification number

X the latest version is always supplied

Supplementary details

B. cracking pressure of bypass valve (e.g. B6 = 6 bar); no details = without bypass valve
 EX electrical clogging indicator EX version (Eexd IIC T6; cable length 3 m standard)
 EX/ENC electrical clogging indicator EX version (Eexd IIC T6; with IP66 junction box, M20x1.5 cable entry)
 IS intrinsically safe electrical clogging indicator with cable length 3 m (standard)
 IS/ENC intrinsically safe electrical clogging indicator with IP66 junction box (M20x1.5 cable entry)
 L... light with appropriate voltage (24, 48, 110, 220 Volt)] Only for clogging indicators
 LED 2 light emitting diodes up to 24 Volt] type "D"
 RC with reverse flow check (not for size 30)
 TB6 with triple bypass for reversible flow (= 1 check valve, 2 bypass valves - not for size 30)
 N NBR seals
 V FPM seals
 NLT nitrile low temperature seals
 HNBR hydrogenated nitrile (high temperature) seals
 EPDM EPDM seals
 K Kalrez® seals
 W suitable for HFA and HFC emulsions, optimized for water glycols

2.2 REPLACEMENT ELEMENT

0060 D 003 BN4HC /-V-SS-SO361

Size _____
0030, 0060, 0110, 0160, 0240

Type _____
D

Filtration rating in µm _____
BN4HC, BH4HC : 003, 005, 010, 020
(Note: for /-SS-SO361 type
only 003 and 010 µm)
W/HC : 025, 050, 100, 200

Filter material _____
BN4HC, BH4HC, W/HC

Supplementary details _____
SS-SO361 stainl. steel core and end caps, polyamide support fibre
N, V, NLT, HNBR, EPDM, K (for descriptions, see Point 2.1)

2.3 REPLACEMENT ELEMENT - PROCESS TECHNOLOGY

060-DH-100-D-V

Size _____
030, 060, 110, 160, 240

Type _____
DH

Filtration rating in µm _____
Chemicon® (M) : 001, 003, 005, 010, 020
St. st. wire mesh (D) : 025, 040, 060, 100, 150, 200, 250

Filter material _____
M, D

Supplementary details _____
N, V, NLT, HNBR, EPDM, K (for descriptions, see Point 2.1)

2.4 REPLACEMENT CLOGGING INDICATOR

VDHP 5 D . X /-V-L24

Type _____
VDHP Diff. pressure indicator up to 700 bar oper. pressure

Pressure setting _____
5 standard 5 bar, others on request

Type _____
(see Point 2.1)

Modification number _____
X the latest version is always supplied

Supplementary details _____
L..., LED, V, W (for descriptions, see Point 2.1)

3. FILTER CALCULATION / SIZING

The total pressure drop of a filter at a certain flow rate Q is the sum of the housing Δp and the element Δp and is calculated as follows:

$$\Delta p_{\text{total}} = \Delta p_{\text{housing}} + \Delta p_{\text{element}}$$

$$\Delta p_{\text{housing}} = (\text{see Point 3.1})$$

$$\Delta p_{\text{element}} = Q \cdot \frac{SK^*}{1000} \cdot \frac{\text{viscosity}}{30}$$

(*see Point 3.2)

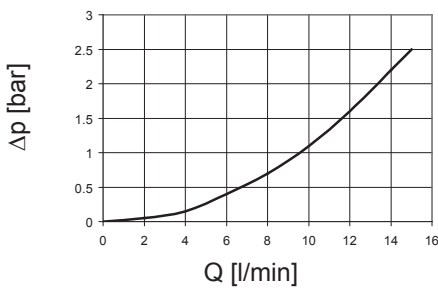
For ease of calculation, our Filter Sizing Program is available on request free of charge.

NEW: Sizing online at www.hydac.com

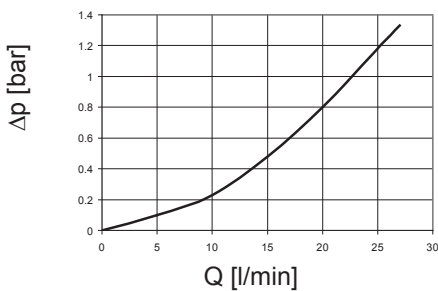
3.1 Δp -Q HOUSING CURVES BASED ON ISO 3968

The housing curves apply to mineral oil with a density of 0.86 kg/dm³ and a kinematic viscosity of 30mm²/s. In this case, the differential pressure changes proportionally to the density.

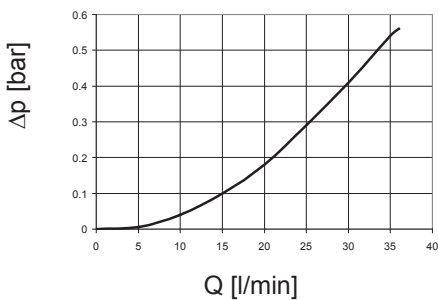
Size 30: 1/4" BSPP/NPT



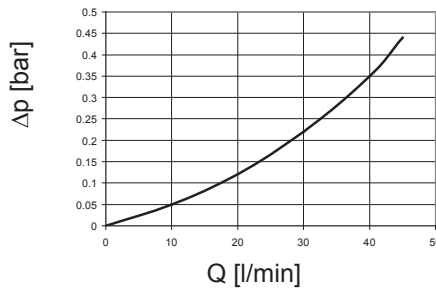
Size 30: 1/2" BSPP/NPT



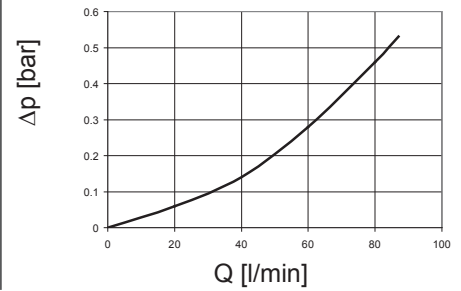
Size 60-110: 1/2" BSPP/NPT



Size 60-110: 3/4" BSPP/NPT



Size 60-240: 1" BSPP/NPT

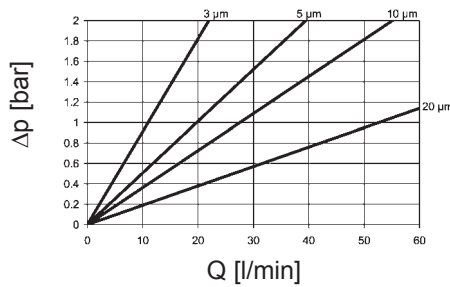


3.2 GRADIENT COEFFICIENTS (SK) FOR FILTER ELEMENTS

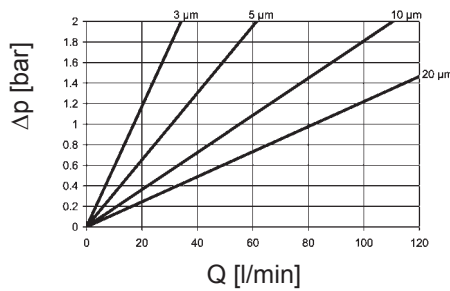
The gradient coefficients in mbar/(l/min) apply to mineral oils with a kinematic viscosity of 30 mm²/s. The pressure drop changes proportionally to the change in viscosity.

	BH4HC		W/HC
	3 μm	10 μm	—
30	91.2	36.3	—
60	58.6	18.1	0.757
110	25.4	8.9	0.413
160	16.8	5.9	0.283
240	10.6	3.9	0.189

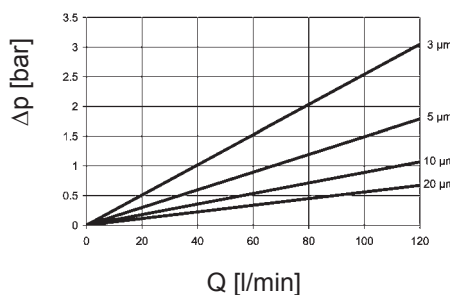
BN4HC: 30



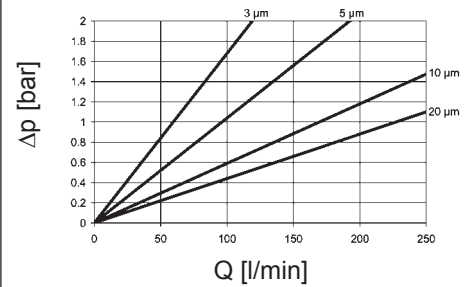
BN4HC: 60



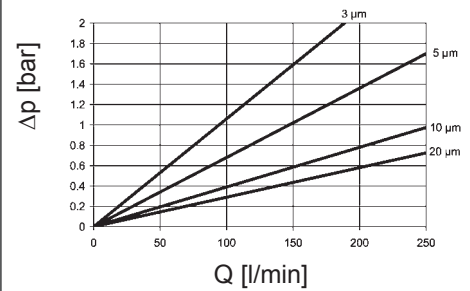
BN4HC: 110



BN4HC: 160



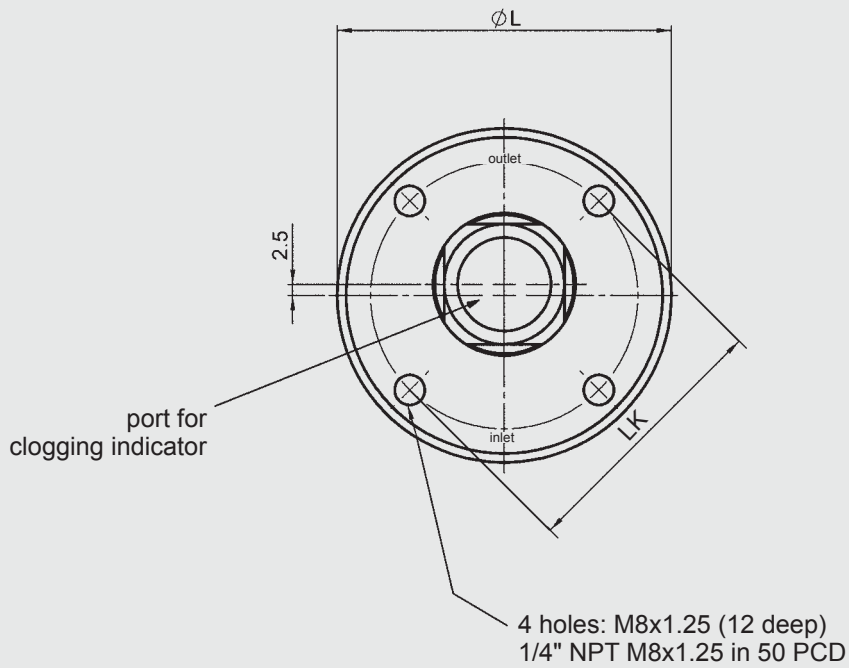
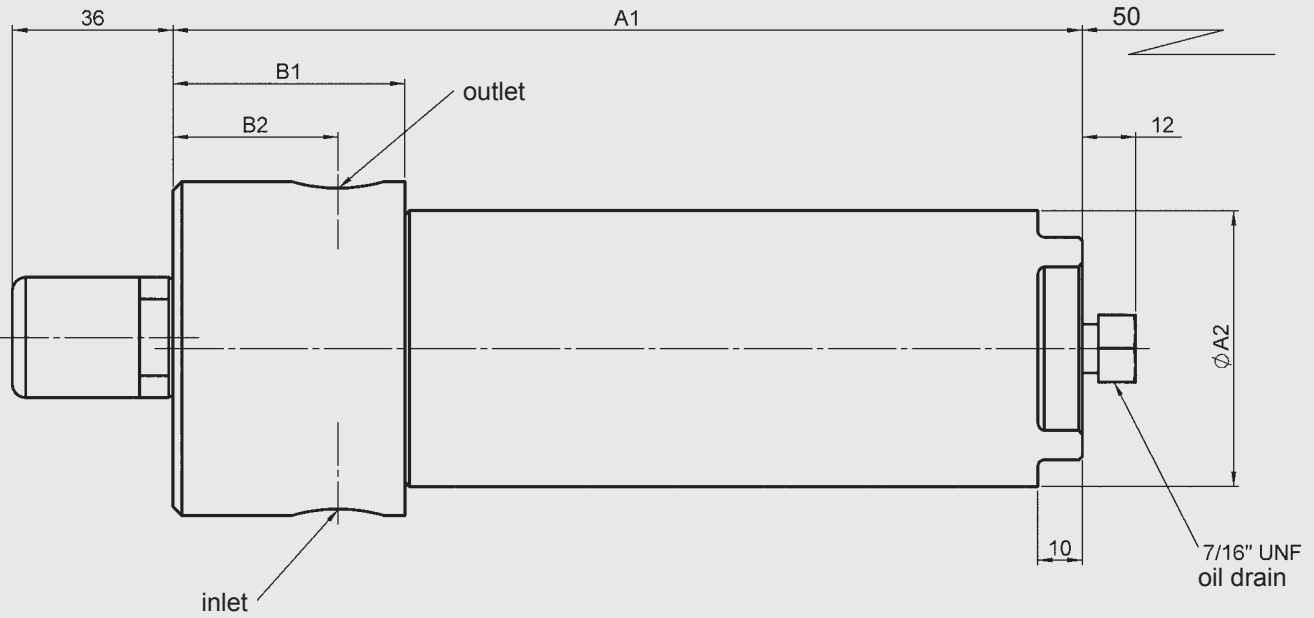
BN4HC: 240



4. DIMENSIONS

Inline Filter HPSSF

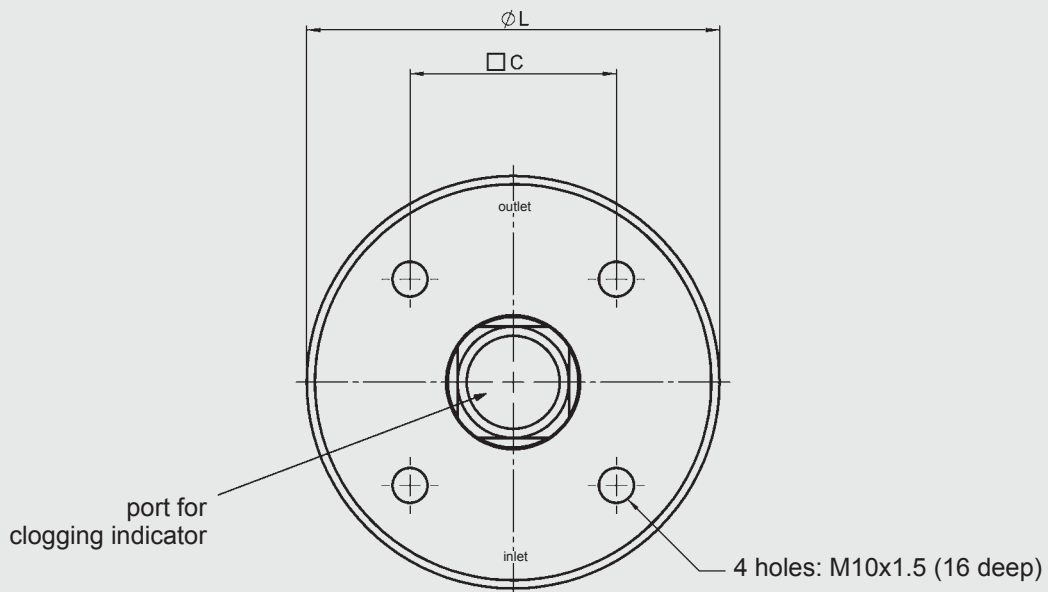
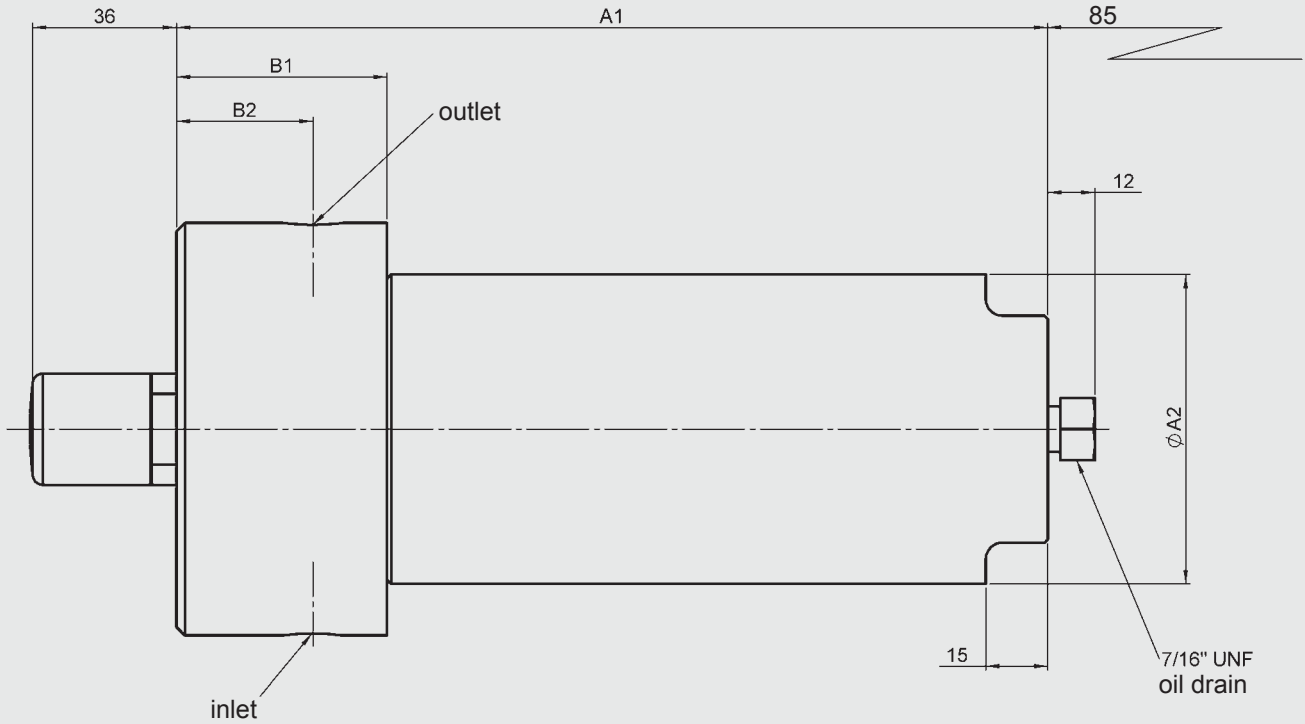
Size 30



MPSSF	A1	A2	b1	B2 ±5mm	L	LK
30	204	63.5	52	37	75	60
30 (1/4" NPT)	196	63.5	44	34	66	50

Inline Filter HPSSF

Size 60 - 240



HPSSF	A1	A2	b1	B2 ±5mm	C	L	W
60	210	72	51	35	50	100	93
110	280	72	51	35	50	100	93
160	265	104	66	36	60	127	116
240	325	104	66	36	60	127	116

NOTE

The information in this brochure relates to the operating conditions and applications described.
 For applications or operating conditions not described, please contact the relevant technical department.
 Subject to technical modifications.

HYDAC FILTERTECHNIK GMBH
 Industriegebiet
D-66280 Sulzbach/Saar, Germany
 Tel.: 0 68 97 / 509-01
 Fax: 0 68 97 / 509-300
 Internet: www.hydac.com
 E-mail: filter@hydac.com



Inline Filter ACSSF up to 100 l/min, up to 1035 bar



1. TECHNICAL SPECIFICATIONS

1.1 FILTER HOUSING Construction

The filter housings are designed in accordance with international regulations. They consist of a filter head and a screw-on filter bowl. Standard equipment:

- without bypass valve
- connection for a clogging indicator
- oil drain plug in filter bowl

1.2 FILTER ELEMENTS

HYDAC filter elements are validated and their quality is constantly monitored according to the following standards:

- ISO 2941
- ISO 2942
- ISO 2943
- ISO 3724
- ISO 3968
- ISO 11170
- ISO 16889

Filter elements are available with the following pressure stability values:

Betamicon® (BN4HC):	20 bar
Betamicon® (BN4HC) /-SS-SO361:	20 bar
Betamicon® (BH4HC):	210 bar
Betamicon® (BH4HC) /-SS-SO361:	210 bar
Stainless steel wire mesh (D):	210 bar
Wire mesh (W/HC):	20 bar
Chemicon® (M):	210 bar

1.3 FILTER SPECIFICATIONS

Nominal pressure	1035 bar
Test pressure	1552.5 bar
Temperature range	-20 °C to +100 °C
Material of filter head	316 S11 stainless steel
Material of filter bowl	UNS 318.03 DUPLEX
Type of clogging indicator	VDAC (Diff. pressure indicator up to 1035 bar oper. pressure)
Pressure setting of clogging indicator	5 bar (others on request)
Bypass cracking pressure (optional)	6 bar (others on request)

1.4 SEALS

FPM (Viton)

1.5 INSTALLATION

As inline filter

1.6 SPECIAL MODELS AND ACCESSORIES

- Seals in NBR, NLT, EPDM, HNBR, Kalrez®
- Without bypass valve
- Without port for clogging indicator
- With 2 clogging indicators (visual and electrical)
- With Autoclave connection for external piping of pressure sensors
- Higher pressures on request

1.7 SPARE PARTS

See Original Spare Parts List

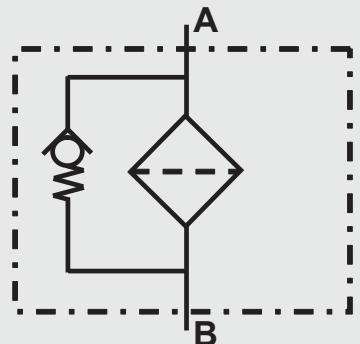
1.8 CERTIFICATES AND APPROVALS

On request

1.9 COMPATIBILITY WITH HYDRAULIC FLUIDS ISO 2943

- Hydraulic oils H to HLPD DIN 51524
- Lubrication oils DIN 51517, API, ACEA, DIN 51515, ISO 6743
- Compressor oils DIN 51506
- Biodegradable operating fluids VDMA 24568 HETG, HEES, HEPG
- Fire-resistant fluids HFA, HFB, HFC and HFD
- Operating fluids with high water content (>50% water content) on request

Symbol for hydraulic systems



2. MODEL CODE (also order example)

2.1 COMPLETE FILTER

ACSSF1035 BH/HC 60 A0 005 B X /-V

Filter type

ACSSF1035 1035 bar

Filter material of element

BN/HC Betamicon® (BN4HC)
 BN/HC (/SS-SO361) Betamicon® (BN4HC) – stainl. steel core and end caps, polyamide support fibre
 BH/HC Betamicon® (BH4HC)
 BH/HC (/SS-SO361) Betamicon® (BH4HC) – stainl. steel core and end caps, polyamide support fibre
 M Chemicon®
 W/HC Wire mesh
 D Stainless steel wire mesh

Size of filter

30, 60, 110, 160

Type and size of connection

Type	Port thread	Filter size			
		30	60	110	160
A0	9/16"-18	●	●	●	
A1	13/16"-16		●	●	●
A2	3/4"-14z				●
A3	1-3/8"-12				●

Filtration rating in µm

BN/HC, BH/HC : 003, 005, 010, 020
 BN/HC, BH/HC (/SS-SO361) : 003, 010
 M : 001, 003, 005, 010, 020
 W/HC : 025, 050, 100, 200
 D : 025, 040, 060, 100, 150, 200, 250

Type of clogging indicator

W without port (no clogging indicator)
 A stainless steel blanking plug in indicator port
 B visual
 C electrical
 E 9/16"UNF Autoclave ports for external connection of pressure sensors – not for size 30
 BM+C visual with manual reset + electrical (= 2 indicators) – not for size 50
] For other clogging indicators see brochure no. 7.050./...

Modification number

X the latest version is always supplied

Supplementary details

B. cracking pressure of bypass (e.g.. B6 = 6 bar); no details = without bypass valve
 EX electrical clogging indicator EX version (Eexd IIC T6; cable length 3 m standard)
 EX/ENC electrical clogging indicator EX protection (Eexd IIC T6; with IP66 junction box, M20x1.5 cable entry)
 IS intrinsically safe electrical clogging indicator with cable length 3 m (standard)
 IS/ENC intrinsically safe electrical clogging indicator with IP66 junction box (M20x1.5 cable entry)
 RC with reverse flow check (not for size 30)
 TB6 with triple bypass valve for reversible flow (= 1 check valve, 2 bypass valves - not for size 30)
 N NBR seals
 V FPM seals
 NLT nitrile low temperature seals
 HNBR hydrogenated nitrile (high temperature) seals
 EPDM EPDM seals
 K Kalrez seals
 W suitable for HFA and HFC emulsions, optimized for water glycols

2.2 REPLACEMENT ELEMENT

0060 D 003 BN4HC /-V-SS-SO361

Size

0030, 0060, 0110, 0160

Type

D

Filtration rating in µm

BN4HC, BH4HC : 003, 005, 010, 020 (Note: for /-SS-SO361 type only 003 and 010 µm)
 W/HC : 025, 050, 100, 200

Filter material

BN4HC, BH4HC, W/HC

Supplementary details

SS-SO361 stainl. steel core and end caps, polyamide support fibre
 N, V, NLT, HNBR, EPDM, K (for descriptions, see Point 2.1)

2.3 REPLACEMENT ELEMENT - PROCESS TECHNOLOGY

060 - DH - 100 - D - V

Size
030, 060, 110, 160

Type
DH

Filtration rating in μm
Chemicon® (M) : 001, 003, 005, 010, 020
St. st. wire mesh (D) : 025, 040, 060, 100, 150, 200, 250

Filter material
M, D

Supplementary details
N, V, NLT, HNBR, EPDM, K (for descriptions, see Point 2.1)

2.4 REPLACEMENT CLOGGING INDICATOR

VDAC 5 B . X /-V

Typ
VDAC Diff. pressure indicator up to 1035 bar oper. pressure

Pressure setting
5 standard 5 bar, others on request

Type
(see Point 2.1)

Modification number
X the latest version is always supplied

Supplementary details
V, W (for descriptions, see Point 2.1)

3. FILTER CALCULATION / SIZING

The total pressure drop of a filter at a certain flow rate Q is the sum of the housing Δp and the element Δp and is calculated as follows:

$$\Delta p_{\text{total}} = \Delta p_{\text{housing}} + \Delta p_{\text{element}}$$

$$\Delta p_{\text{housing}} = (\text{see Point 3.1})$$

$$\Delta p_{\text{element}} = Q \cdot \frac{SK^*}{1000} \cdot \frac{\text{viscosity}}{30}$$

(*see Point 3.2)

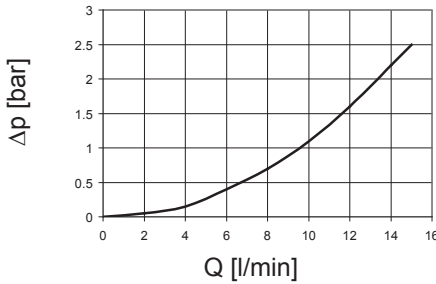
For ease of calculation, our Filter Sizing Program is available on request free of charge.

NEW: Sizing online at www.hydac.com

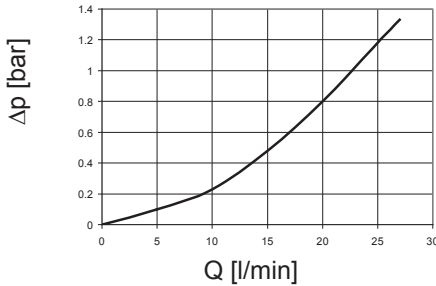
3.1 Δp -Q HOUSING CURVES BASED ON ISO 3968

The housing curves apply to mineral oil with a density of 0.86 kg/dm³ and a kinematic viscosity of 30mm²/s. In this case, the differential pressure changes proportionally to the density.

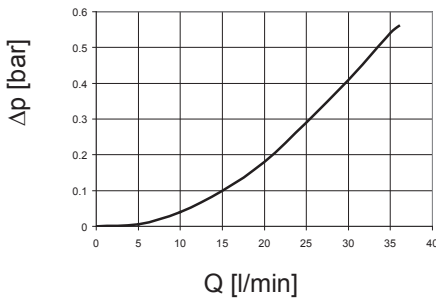
Size 30: 1/4"



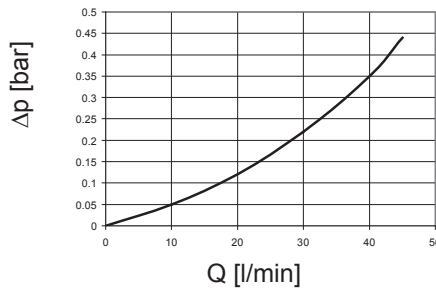
Size 30: 1/2"



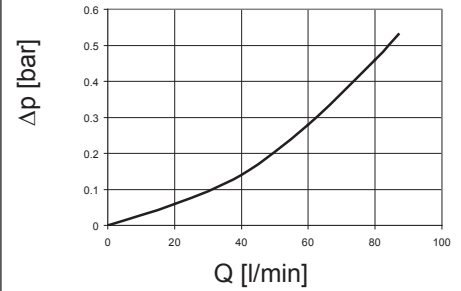
Size 60-110: 1/2"



Size 60-110: 3/4"



Size 160: 1"

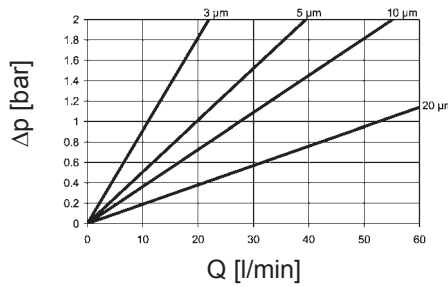


3.2 GRADIENT COEFFICIENTS (SK) FOR FILTER ELEMENTS

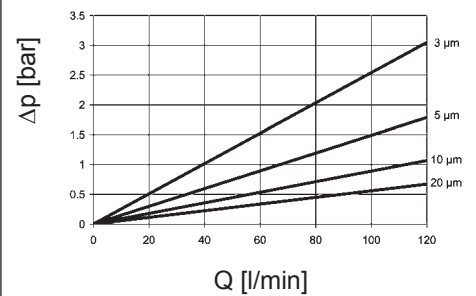
The gradient coefficients in mbar/(l/min) apply to mineral oils with a kinematic viscosity of 30 mm²/s. The pressure drop changes proportionally to the change in viscosity.

	BH4HC		W/HC
	3 μm	10 μm	—
30	91.2	36.3	—
60	58.6	18.1	0.757
110	25.4	8.9	0.413
160	16.8	5.9	0.283

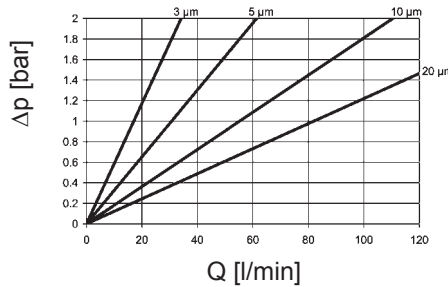
BN4HC: 30



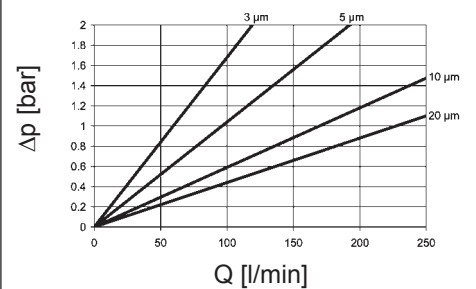
BN4HC: 110



BN4HC: 60



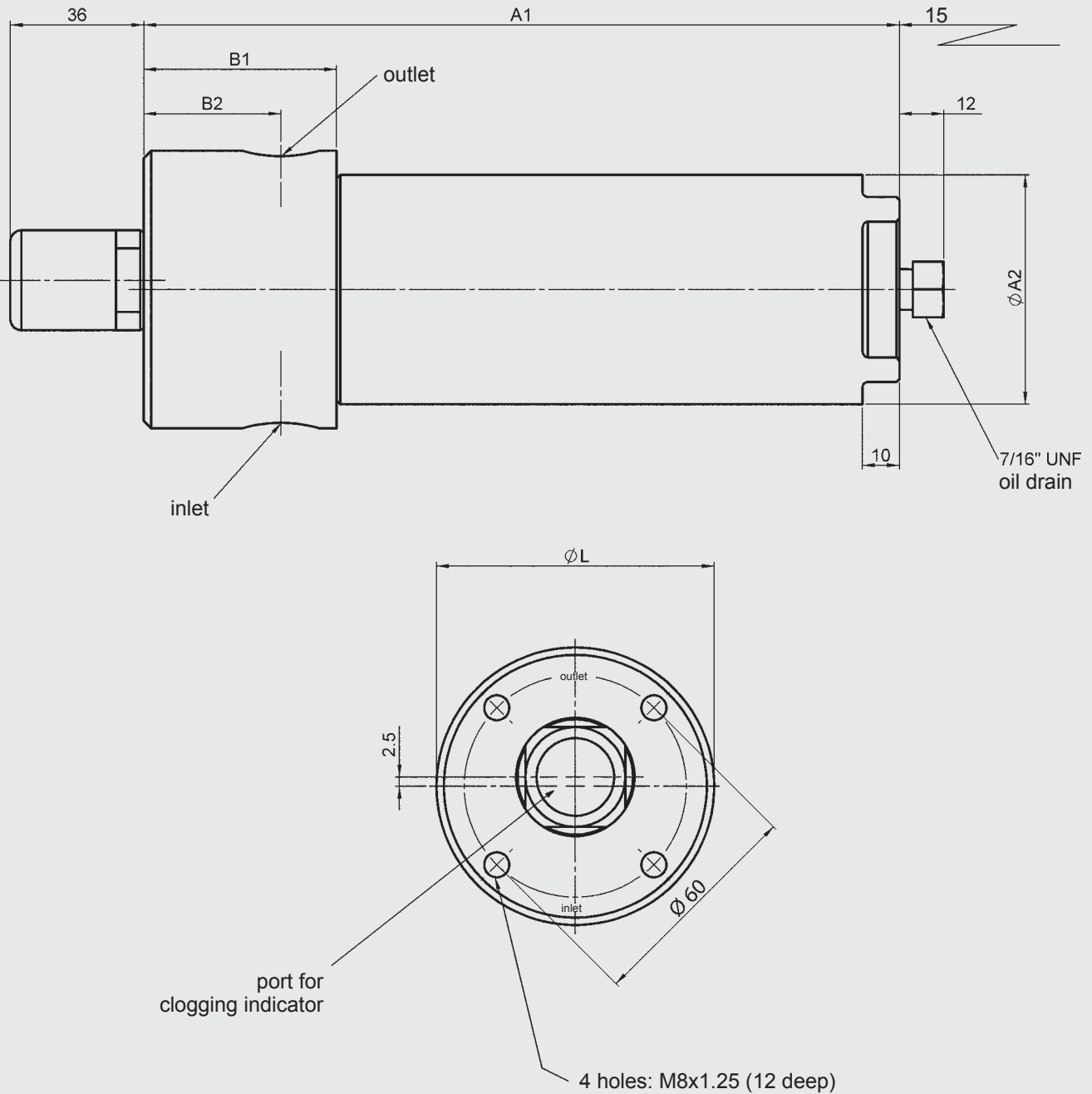
BN4HC: 160



4. DIMENSIONS

Inline Filter ACSSF

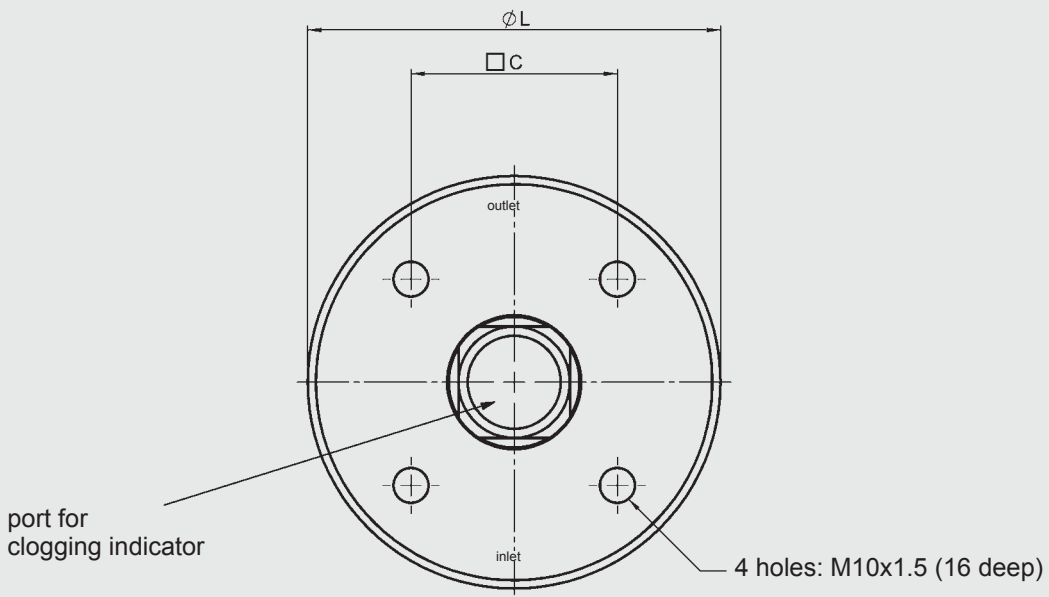
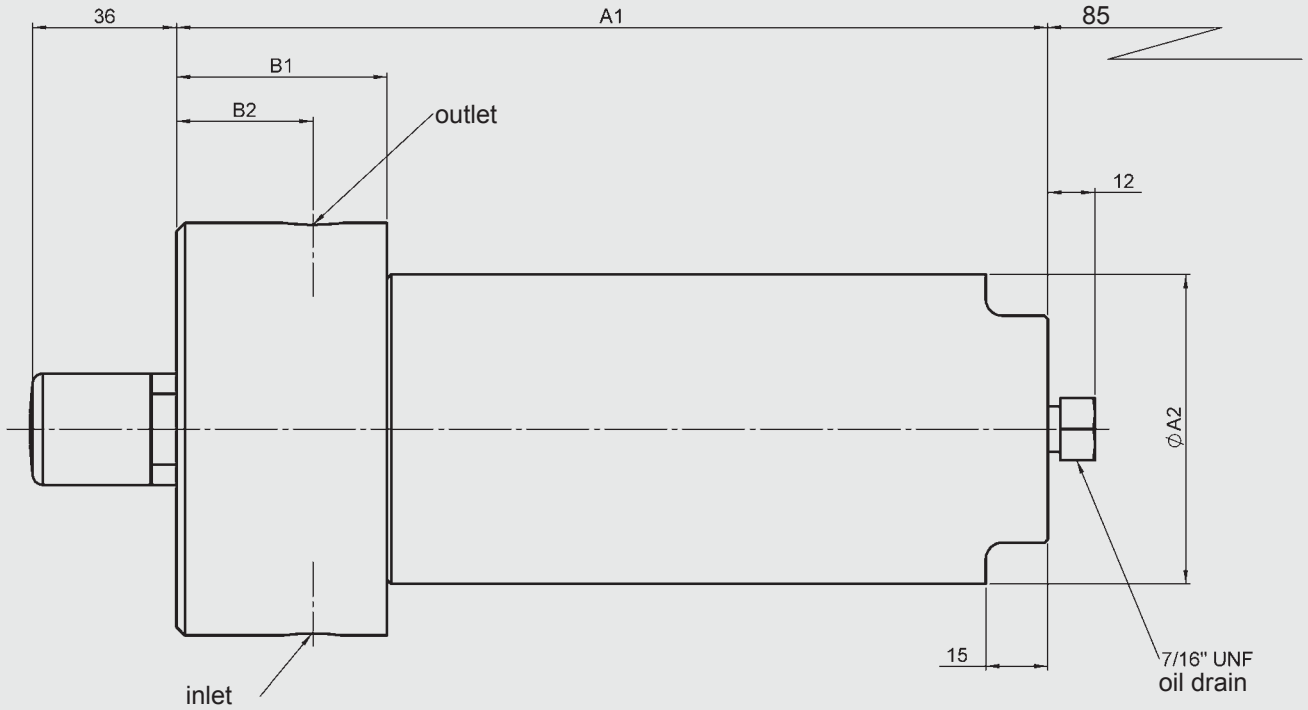
Size 30



ACSSF	A1	A2	b1	B2 ±5mm	L
30	204	63.5	52	37	75

Inline Filter ACSSF

Size 60 - 160



ACSSF	A1	A2	B1	B2 ±5mm	C	L
60	213	85	51	33	50	100
110	281	85	51	33	50	100
160	275	127	65	35	60	127

NOTE

The information in this brochure relates to the operating conditions and applications described.
 For applications or operating conditions not described, please contact the relevant technical department.
 Subject to technical modifications.

HYDAC FILTERTECHNIK GMBH
 Industriegebiet
D-66280 Sulzbach/Saar, Germany
 Tel.: 0 68 97 / 509-01
 Fax: 0 68 97 / 509-300
 Internet: www.hydac.com
 E-mail: filter@hydac.com

HYDAC

INTERNATIONAL



**Pre-Filtration
for Ultimate Cleanliness
and Efficiency:
HYDAC Diesel PreCare.**

Dual function: Diesel filtration + Water removal



Recipe for success: Constant progress.

Continuous product improvement is our driving force.

It is through product innovation and efficient solutions that we meet the steadily growing demands of our customers as leaders in technology.

With over 5,500 employees and over 500 sales and service partners we are in close contact with our customers all over the world.



Innovative solution and sound design.

Mobile machines and commercial vehicles are subject to the toughest working conditions all over the world. To ensure smooth running of vehicles and to protect both the engine and the whole drive system from damage, optimum diesel fuel conditioning is particularly important. With its new Diesel PreCare, HYDAC offers a modern system for diesel filtration which protects vehicle manufacturers and operators from failures, breakdowns and expensive service interventions.

Our solution "HYDAC Diesel PreCare", is a cup filter system available in two versions:

Manual water discharge (BestCost design)

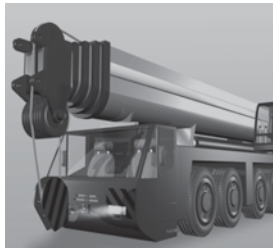
The conventional, operator-dependent solution.

Fully automatic discharge Plug & Play (High Tech design)

The innovative solution for fully automatic dewatering, independent of the operator, even during suction-side operation.

Outstanding performance data achieved by 2-stage water removal and superb filtration characteristics through the use of synthetic media - these are the special features of these filters.

Both systems are designed for use as pre-filters on the suction-side and as such protect all the pumps and components in the fuel system from water and contamination.



Innovation diesel filter. In black and white:

SPECIFICATIONS

Flow rate:	BestCost design: up to 600 l/h HighTech design: up to 600 l/h
Temperature range:	BestCost design: -40 °C to +90 °C HighTech design: -20 °C to +90 °C
Nominal voltage:	24 V DC (option 12 V)
Rated power Fuel preheating:	300 W
Filtration rating:	Various (Standard: 10 µm)
Water separation efficiency:	> 95 % to ISO CD 16332
Operating pressure:	<1 bar (suction-side application)

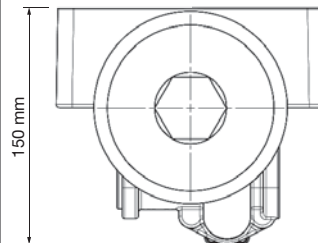
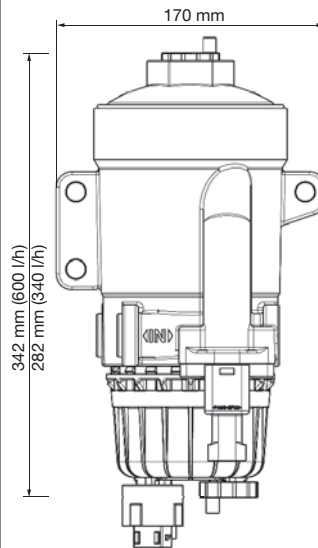
BestCost design

Inlet:	M22x1.5
Outlet:	M22x1.5
Water discharge:	manual drain plug
Available in 2 sizes:	HDP BC 340 and HDP BC 600

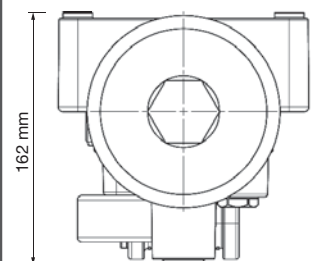
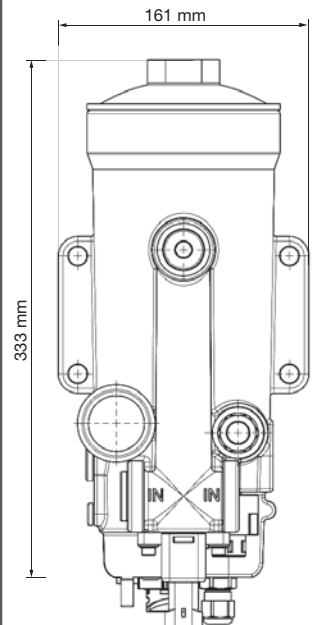
HighTech design

Inlet:	G ^{3/4}
Outlet:	G ^{3/4}
Water discharge:	Automatic discharge unit (including electronic control, safety valve, pump and water sensor)

Dimensions



Dimensions

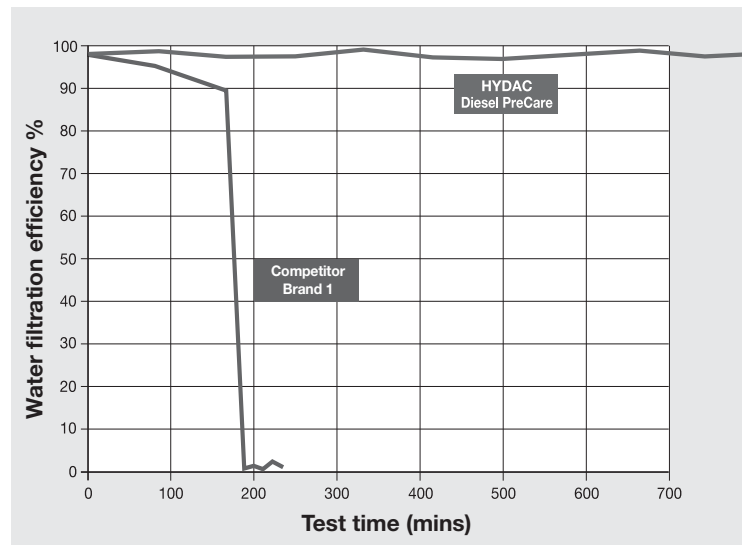


Reliable performance.

Unbeatable quality!

Compared to the competition, HYDAC Diesel PreCare shows clear advantages with regard to water removal and filtration performance.

Clean-side water removal using purely synthetic filter media combined with the hydrophobic barrier, has proved itself under the toughest conditions.

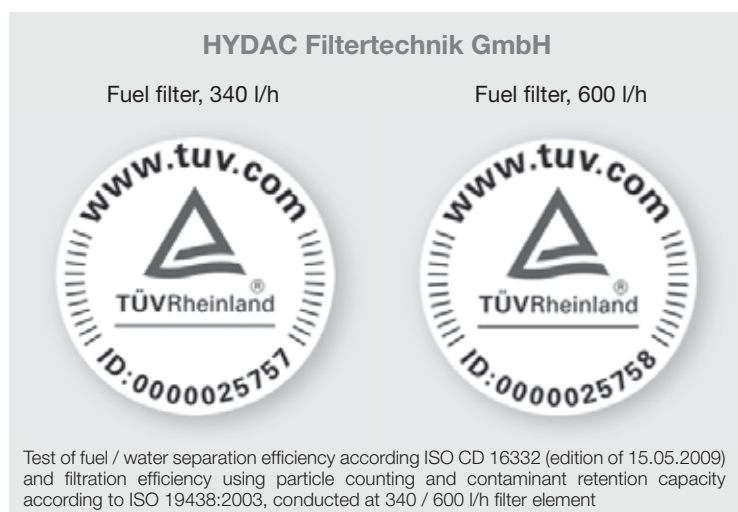


Competition: Massive water penetration after a test time of just 180 minutes.

HYDAC Diesel PreCare: Clean-side water removal using purely synthetic filter media combined with hydrophobic barrier has proved itself in comparison to the competition, and after a very long test time (730 minutes).

TÜV certified filtration system.

Both versions of the HYDAC Diesel PreCare Filtration System are certified by TÜV.



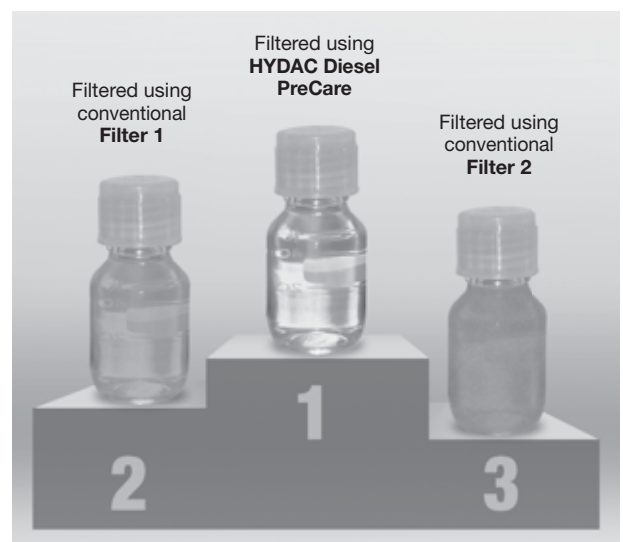
For further information, please contact
Technical Sales, HYDAC Filtrertechnik GmbH.
Tel.: +49 6897-509-1438
E-Mail: fuel@hydac.com

HYDAC Diesel PreCare Product benefits.

- Low residues of diesel left in the filter element when servicing
- Compact design
- Reliable radial seal
- Captive seal design
- Visual analysis of the contamination possible (Rust, metallic swarf, unusual deposits, which require further investigation)
- Protection from imitations by means of Quality Protection
- Prevents first-line contamination by hard particles
- Prevents ingress of contamination as a result of corrosion

Reliable machine availability.

- Resulting from first-class contamination retention
- Due to highly effective and stable water removal on the clean-side for the entire life of the filter element
- Life-long efficiency, because at element change, the water removal stage is also replaced at the same time
- Due to the excellent water removal, (achieved by using first class materials) of >95 % to ISO/CD 16332



This comparison of three diesel samples after filtration provides the proof. Even with the naked eye the exceptional cleanliness of the diesel filtered with the HYDAC Diesel PreCare is obvious.

HYDAC

Diesel PreCare: The Clear



Guaranteed HYDAC quality

thanks to HYDAC Quality Protection.



TÜV Certification

Innovative design

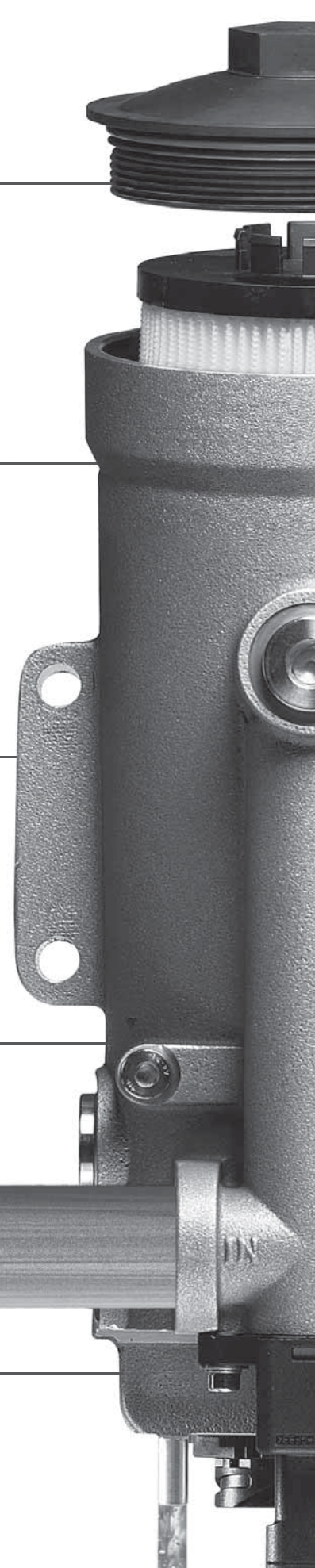
due to cup filter design.

Environmentally responsible

uses incinerable elements.

Outstanding water removal

achieved by the two-stage system.



E 7.125.0/03.12

Link between Diesel Fuel and Diesel Power.

High performance stability

Efficient water removal over the entire service life.

Element change = Complete overhaul

The water removal stage built into the element is replaced when the element is changed.

Extremely easy to maintain

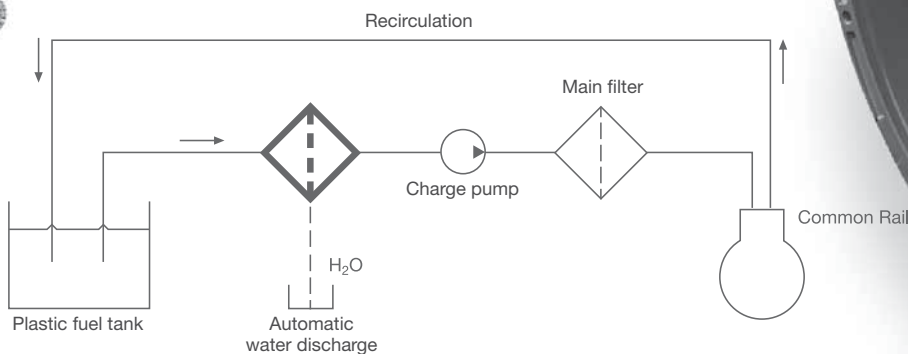
due to quick and simple element change.

Flexible in use

due to inlet/outlet options

Ready-to-use at any time

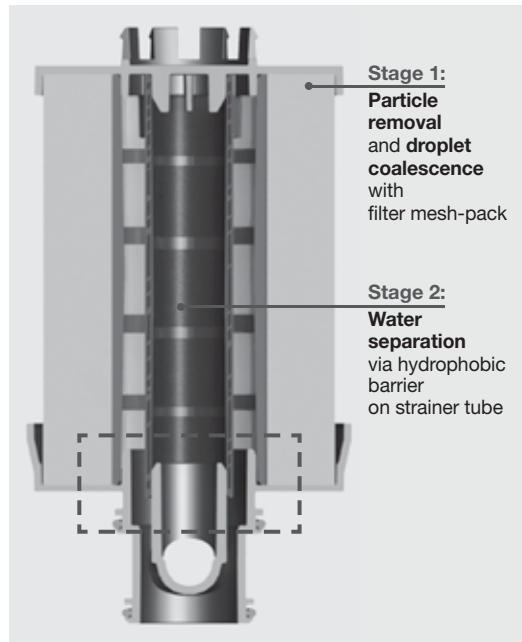
self-sufficient system, Plug & Play



Compact and Easy-to-Service.

New element technology: Fuelmicron Filter element with 2-stage system.

Element construction



Particle removal and droplet coalescence (1st Stage)

By using purely synthetic filter media, a high contamination retention capacity and steady coalescence is guaranteed.

Water removal (2nd Stage)

A hydrophobic barrier on the strainer tube guarantees reliable separation of the water droplets formed during Stage 1.

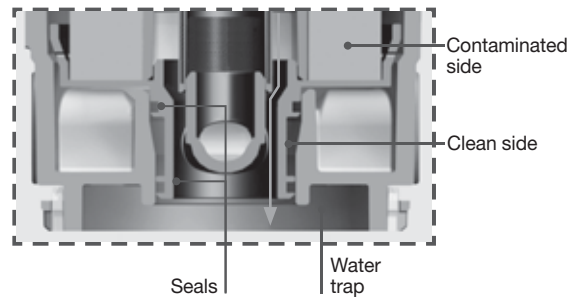
Filter element Fuelmicron



A new type of filter element in two-stage design which combines outstanding dewatering irrespective of the contamination level with excellent particle filtration at the same time.

Unique filter element design.

The Diesel PreCare in the BestCost design has a filter element with a **unique end cap design which is integral to its function.**



Function:

The end cap has separate fluid pathways so that the cleaned fuel flows to the clean side (ring channel in the filter housing), while the separated water collects in the water trap.

Increased operating reliability: achieved through strict separation of contaminated and clean sides.

No risk of contamination at the fluid outlet of the housing during element change because the clean-side and inlet-side channels are vertically parallel to each other.

Integrated Quality Protection. Highest level of reliability.

Unless an original HYDAC element is fitted in the housing, then the full function of the filter is not guaranteed because the element end cap which is integral to its function will be missing.

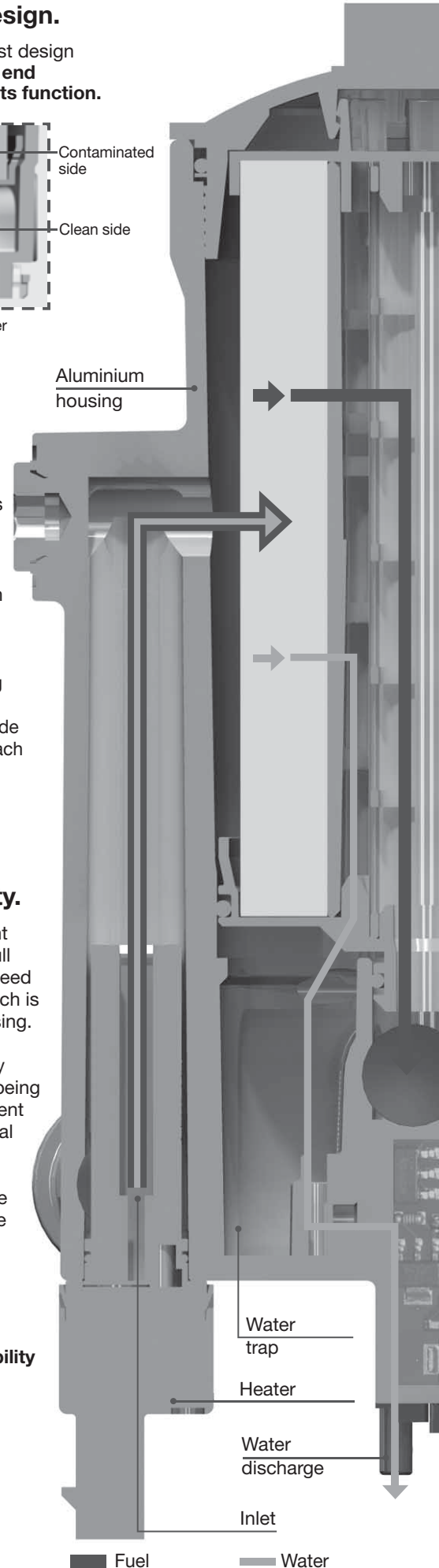


We prevent inferior quality imitation elements from being fitted because the element end cap design is critical to its function, and has **Quality Protection.**

As a consequence, we can always guarantee our customers

proven and first-class HYDAC Quality.

Ultimate system protection and guaranteed operating reliability achieved through guaranteed spare part quality.

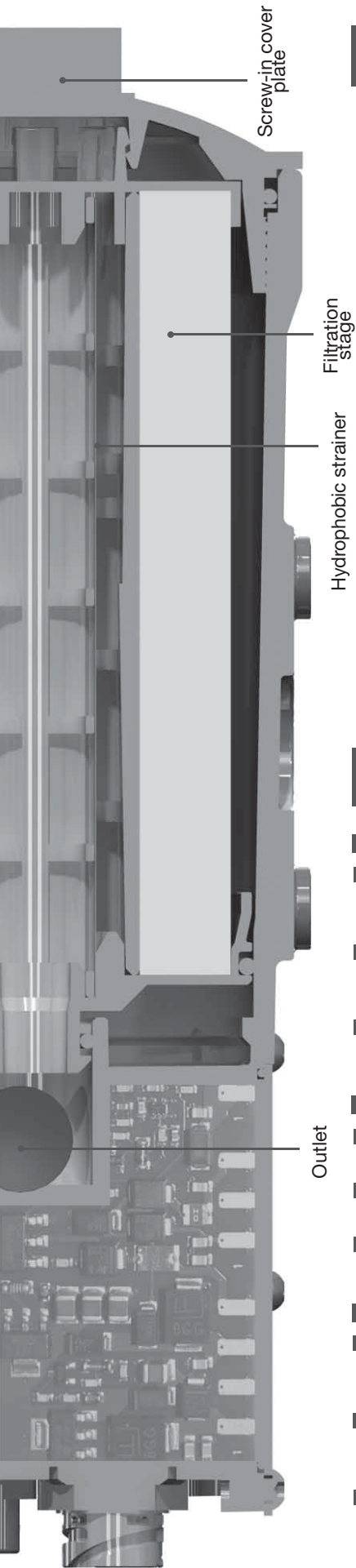


■ Fuel water mixture

■ Fuel

■ Water

Innovative Technology.



Easy-to-service and environmentally sound.



Easy to service as the element can be changed in 3 simple steps:

1. Unscrew clogged element
2. Fit O-ring to new element and cover plate
3. Screw in new element

We are helping to protect our environment by using **fully incinerable filter elements (no metallic components)**.

HYDAC Diesel PreCare Customer Benefits.

General:

- **Great flexibility with regard to installation position**
since inlet and outlet can be in either direction
- **Consistent dewatering over the entire life of the filter element**
since water is removed on the clean side
- **Robust design**
thanks to aluminium housing

BestCost design:

- **Low investment costs**
due to cost-optimized design
- **Economical and technically reliable operation**
as a result of long element service life
- **Water sensor and fuel preheating available as options**

HighTech design:

- **Reliable dewatering**
thanks to automatic water discharge, even during suction-side operation
- **Small installation space required,**
since lower section of filter does not have to be accessible
- **Simple adaptation to the on-board power supply (Plug & Play)**
through the use of independently controlled water discharge

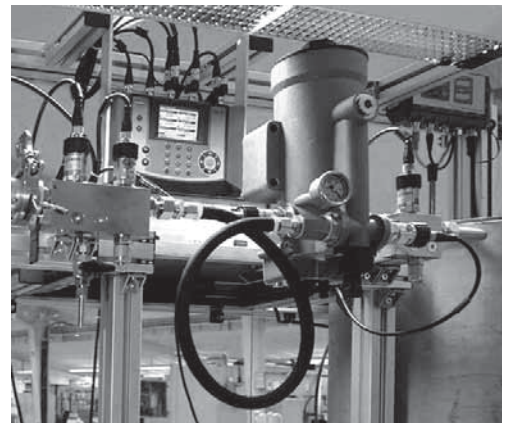
Development on a scientific basis.

In developing filter solutions to suit specific applications, HYDAC leaves nothing to chance. In addition to using the most up-to-date programs from CAD to FEM to make their designs, HYDAC invests heavily in the most modern research and test laboratories. Based on the results of scientific tests, efficient filters can be produced and tested systematically.

Development of filter and element to suit the specific application.

Tensiometers, Karl Fischer titration equipment, rinsing cabinets to determine component cleanliness, test rigs for multipass tests and water removal efficiency are in use on a daily basis.

These are just some of our in-house capabilities for testing and improving our products in addition to numerous other test and measuring equipment. With filters which have passed through these test laboratories, you can be sure of success.



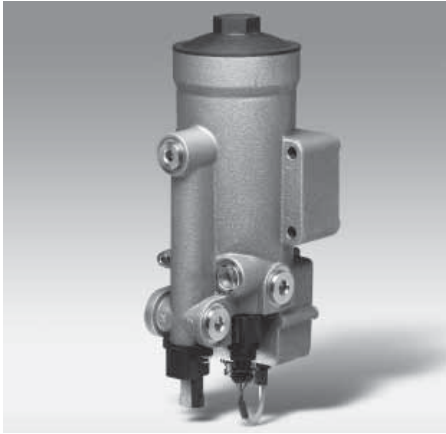
HYDAC Laboratory and test rig to determine the efficiency of water removal.



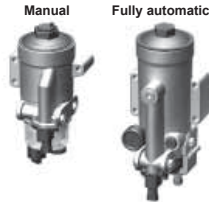
Oil analysis in the HYDAC Laboratory at company headquarters.



Just one example of the numerous filter testing procedures: **Multipass test rig.**



Diesel PreCare HDP up to 600 l/h



1. TECHNICAL SPECIFICATIONS

1.1 FILTER

The Diesel PreCare is an innovative system for diesel prefiltration which protects vehicle manufacturers and operators against breakdowns, downtimes and expensive service calls. The HYDAC solution "Diesel PreCare" is available as a cup filter in two versions:

- Manual water discharge (BestCost) – the conventional, operator-dependent solution
- Fully automatic water discharge Plug&Play (HighTech) – the innovative solution for fully automatic dewatering, independent of the operator, even during suction-side operation.

1.2 FILTER ELEMENTS

The filter element features 2-stage water separation.

HYDAC filter elements are validated and their quality is constantly monitored according to the following standards:

- ISO CD 16332
- ISO 19438

1.3 FILTER SPECIFICATIONS

Operating pressure	< 1 bar
Flow rate	BestCost: up to 340 l/h HighTech: up to 600 l/h
Mounting thread	BestCost: M22x1.5 HighTech: G 3/4 (others on request)
Temperature range	BestCost: -40 °C to +90 °C HighTech: -20 °C to +90 °C
Nominal voltage	24 V DC (optional 12 V)
Rated output	300 W
Fuel pre-heating	
Water separation efficiency	>95% in accordance with ISO CD 16332

1.4 SPECIAL MODELS AND ACCESSORIES

- Water sensor (present as standard on HDP 600)
- Fuel pre-heating
- Clogging indicator (only HDP 600)
- Others on request

1.5 SPARE PARTS

See Original Spare Parts List

1.6 CERTIFICATES AND APPROVALS

On request

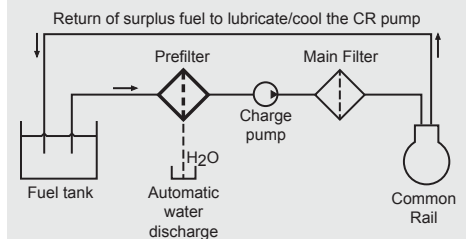
1.7 FUEL RESISTANCE

Diesel, biodiesel (B0-B100),
(non-conductive)

1.8 MAINTENANCE INSTRUCTIONS

- Only for suction-side operation
- Filter housings must be earthed.
- When using electrical clogging indicators, the system must be disconnected from the power source before removing the clogging indicator plug.
- Due to the likelihood of freezing, there must be no restriction in the drain line. This is to compensate for the expansion.

Symbol for hydraulic systems



2. MODEL CODE (also order example)

HDP KF1 340 BC1 10 W 1.X /-AS1

2.1 COMPLETE FILTER "BESTCOST" (MANUAL DESIGN)

Filter type _____

HDP

Filter material _____

KF1 Fuel filter media stage

Size _____

HDP: 340

Evolution stage _____

BC1

Filtration rating _____

10 µm Standard, fully synthetic

30 µm fully synthetic

7 µm high performance fibre mix (glas/synthetic)

Type of clogging indicator _____

W no connection for a clogging indicator

Type code _____

1

Modification number _____

X the latest version is always supplied

Supplementary details _____

AS1 with integrated water sensor

H1 with integrated fuel pre-heating

Kxxx customer-specific

2.2 SPARE ELEMENT "BESTCOST"

0340 BC1 010 KF1 /-Kxxx

Size _____

0340

Evolution stage _____

BC1

Filtration rating in µm _____

010 Standard, fully synthetic

030 fully synthetic

007 high performance fibre mix (glas/synthetic)

Filter material _____

KF1 Fuel filter media stage

Supplementary details _____

Kxxx (for descriptions, see point 2.1)

2.3 COMPLETE FILTER "HIGHTECH" (FULLY AUTOMATIC DESIGN)

HDP KF1 600 HT1 10 UED 1.X /-AS1

Filter type _____

HDP

Filter material _____

KF1 Fuel filter media stage

Size _____

HDP: 600

Evolution stage _____

HT1

Filtration rating _____

10 µm Standard, fully synthetic

30 µm fully synthetic

7 µm high performance fibre mix (glas/synthetic)

Type of clogging indicator _____

A Steel blanking plug in indicator port

UED Vacuum gauge

Type code _____

1

Modification number _____

X the latest version is always supplied

Supplementary details _____

AS1 Standard: with integrated water sensor

H1 with integrated fuel pre-heating

Kxxx customer-specific

2.4 SPARE ELEMENT "HIGHTECH"

0600 HT1 010 KF1 /-Kxxx

Size _____

0600

Evolution stage _____

HT1

Filtration rating in µm _____

010 Standard, fully synthetic

030 fully synthetic

007 high performance fibre mix (glas/synthetic)

Filter material _____

KF1 Fuel filter media stage

Supplementary details _____

Kxxx (for descriptions, see point 2.3)

2.5 REPLACEMENT CLOGGING INDICATOR

VMF 1 UED . X

Type _____

VMF Thread G 1/8

Pressure setting _____

1 standard -1 to 0 bar (others on request)

Type of clogging indicator _____

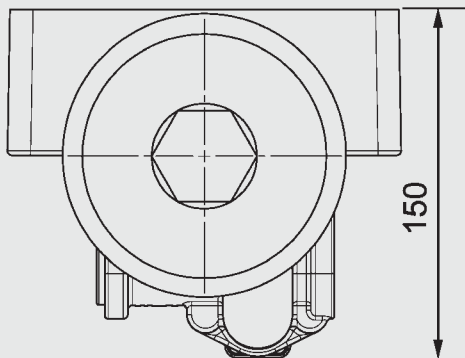
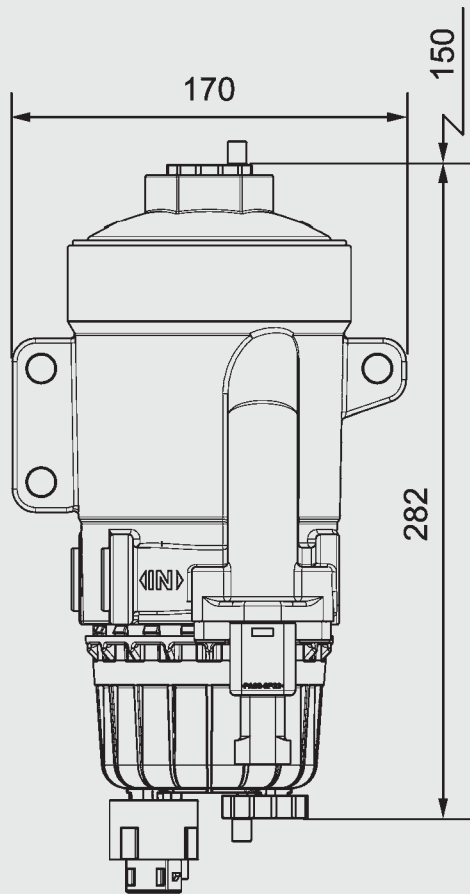
(see Point 2.3)

Modification number _____

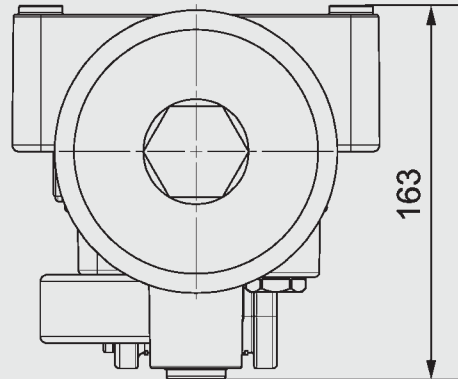
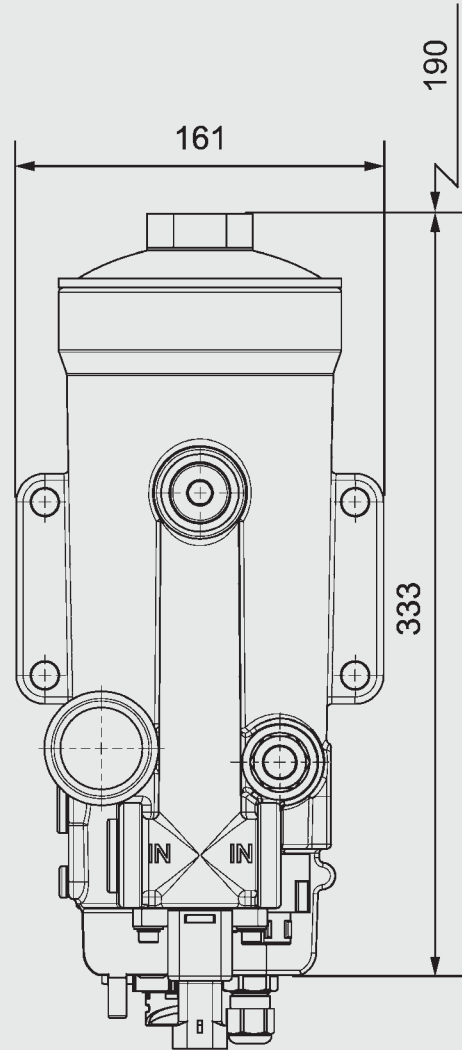
X the latest version is always supplied

4. DIMENSIONS

HDP 340 "BestCost"
(manual design)



HDP 600 "HighTech"
(fully automatic design)



HDP	Weight incl. element [kg]
340	2.30
600	4.25

NOTE

The information in this brochure relates to the operating conditions and applications described.
For applications or operating conditions not described, please contact the relevant technical department.
Subject to technical modifications.

HYDAC FILTERTECHNIK GMBH
Industriegebiet
66280 Sulzbach/Saar, Germany
Tel.: 0 68 97 / 509-01
Fax: 0 68 97 / 509-300
Internet: www.hydac.com
E-mail: filter@hydac.com

MAINTENANCE INSTRUCTIONS

USER INSTRUCTIONS FOR FILTERS



INFORMATION

This pressure equipment must only be put into operation in conjunction with a machine or system.



INFORMATION

The pressure equipment must only be used as stipulated in the operating instructions of the machine or system.



INFORMATION

This pressure equipment must only be operated using hydraulic or lubricating fluid.



Caution

The user must take appropriate action (e.g. venting) to prevent the formation of air pockets.



Caution

Repairs, maintenance work and commissioning must only be carried out by trained personnel. Allow the pressure equipment to cool before handling.

The stipulations of the operating instructions of the machine or the system must be followed.



Danger

Caution: pressure equipment! Before any work is carried out on the pressure equipment, ensure the pressure chamber concerned (filter housing) is depressurized



Danger

On no account must any modifications (welding, drilling, opening by force...) be carried out on the pressure equipment.



INFORMATION

It is the responsibility of the operator to comply with the water regulations of the country concerned.



Caution

Statutory accident prevention regulations, safety regulations and safety data sheets for fluids must be observed.



Caution

When working on, or in the vicinity of, hydraulic systems, naked flames, sparks and smoking are forbidden.



Caution

Hydraulic oils and water-polluting fluids must not be allowed to enter the soil or watercourses or sewer systems. Please ensure safe and environmentally friendly disposal of hydraulic oils.

The relevant regulations in the country concerned with regard to ground water pollution, used oil and waste must be complied with.



Caution

Whenever work is carried out on the filter, be prepared for hot oil to escape which can cause injury or scalding as a result of its high pressure or temperature.



Caution

Filter housing must be earthed.



Danger

When using electrical clogging indicators, the electrical power supply to the system must be switched off before removing the clogging indicator connector.

CUSTOMER INFORMATION IN RESPECT OF MACHINERY DIRECTIVE 2006/42/EC

Hydraulic filters are defined as fluid power parts / components and are therefore excluded from the scope of the Machinery Directive, sections 1.4.1. – 1.4.3. They do not bear the CE mark.

Before using these components, ensure compliance with the specifications provided by HYDAC Filtertechnik. The specifications also contain information on the relevant essential health and safety requirements (based on Machinery Directive 2006/42/EC).

We hereby declare that the filters are intended to be incorporated into machinery within the terms of the Directive 2006/42/EC.

It is prohibited to put the filters into service until the machinery as a whole is in conformity with the provisions of the Machinery Directive.

MAINTENANCE, GENERAL

This section describes maintenance work which must be carried out periodically. The operational safety and life expectancy of the filter, and whether it is ready for use, depend to a large extent on regular and careful maintenance.

MAINTENANCE MEASURES

- Spare parts must fulfil the technical requirements specified by the manufacturer. This is always guaranteed for HYDAC original spare parts.
- Keep tools, working area and equipment clean.
- After disassembling the filter, clean all parts, check for damage or wear and replace parts if necessary.
- When changing a filter element, a high level of cleanliness must be observed!

INTERVAL BETWEEN ELEMENT CHANGES

In principle we recommend that the filter element is changed after 1 year of operation at the latest.

We recommend fitting the filter with a clogging indicator (visual and/or electrical or electronic) to monitor the filter element.

If the clogging indicator responds, it is necessary to change or clean the filter element without delay (only W and V elements can be cleaned).

When no clogging indicator has been fitted, we recommend changing the elements at specific intervals. (The frequency of changing the filter elements depends on the filter design and the conditions under which the filter is operated). When filter elements are subject to high dynamic loading it may prove necessary to change them more frequently. The same applies when the hydraulic system is commissioned, repaired or when the oil is changed

The standard clogging indicators only respond when fluid is flowing through the filter. With electrical indicators the signal can also be converted into a continuous display on the control panel. In this case the continuous display must be switched off during a cold start or after changing the element.

If the clogging indicator responds during a cold start only, it is possible that the element does not yet need to be changed.

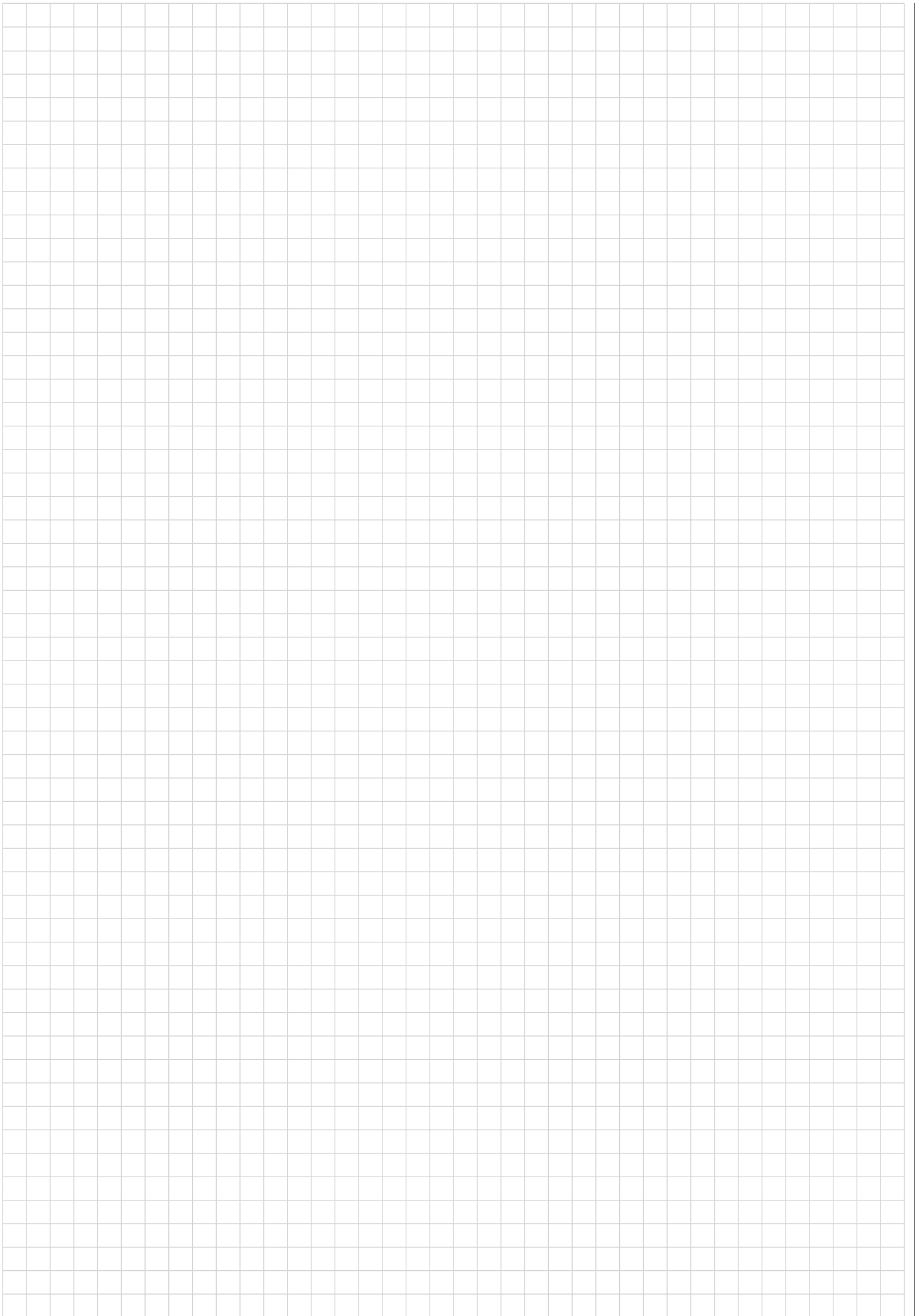
SERVICE ADDRESSES

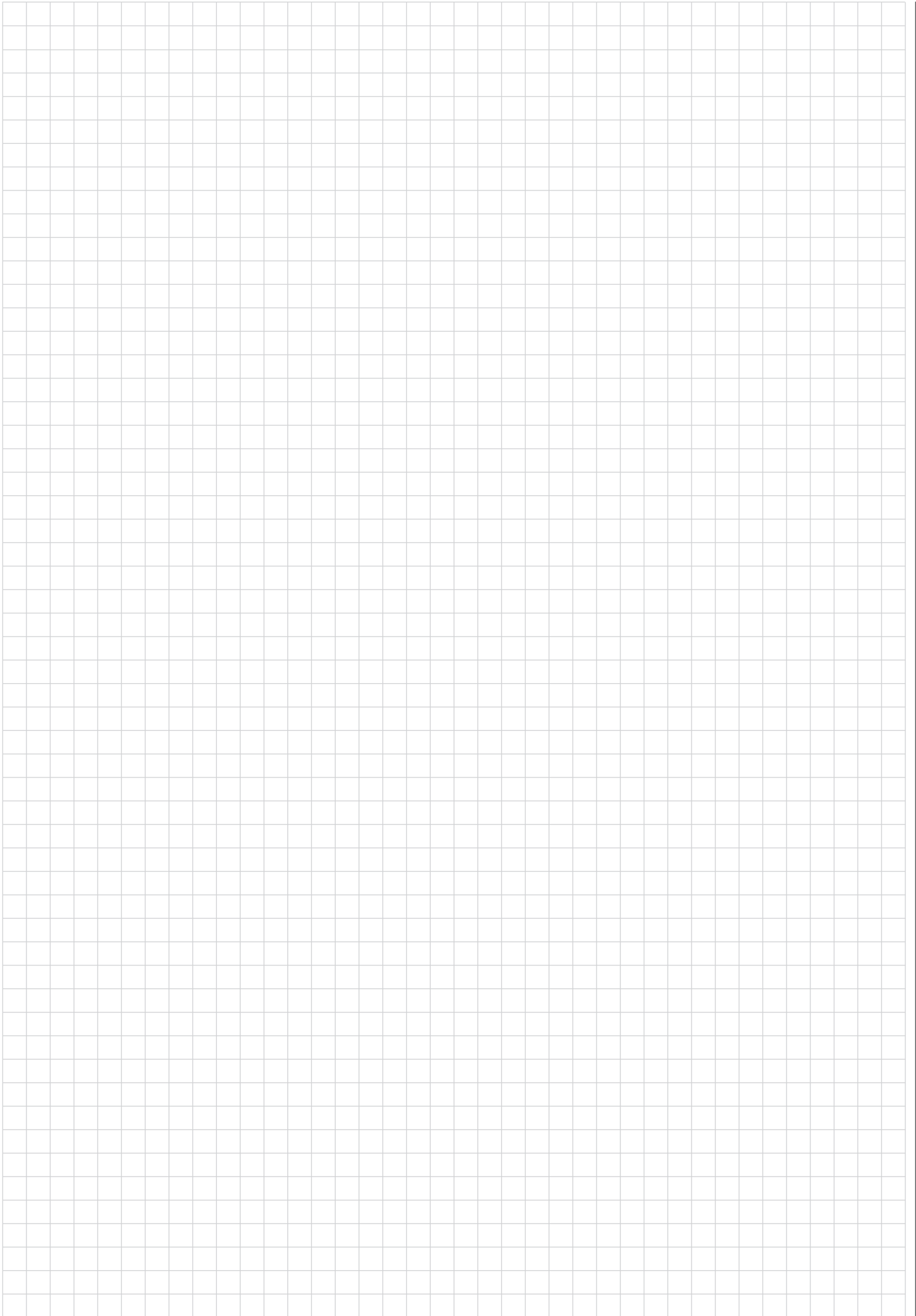
HYDAC Service GmbH
Postfach 1251
D-66273 Sulzbach / Saar

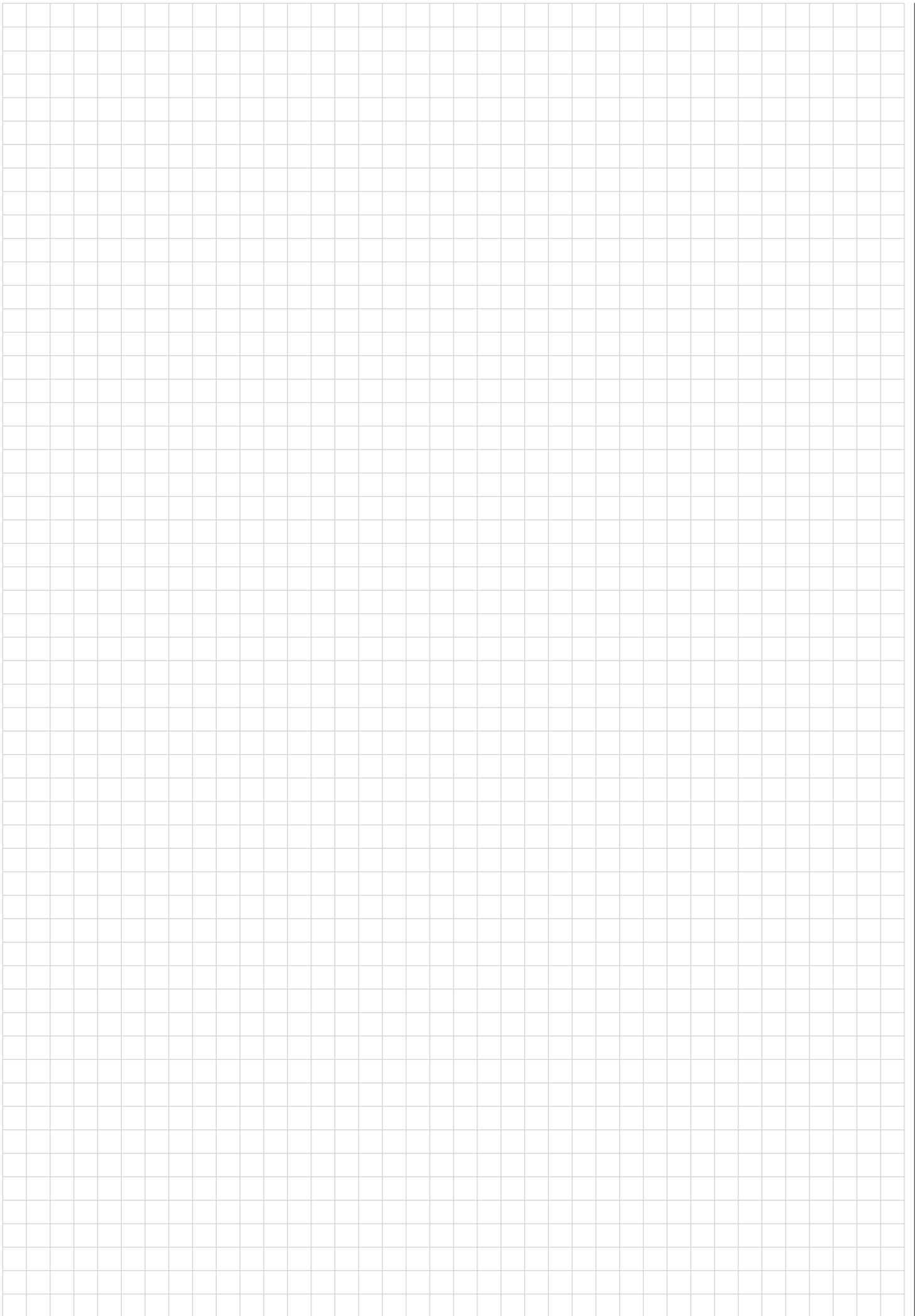
Works address:
Friedrichsthalerstr. 15
D-66540 Neunkirchen/Heinitz

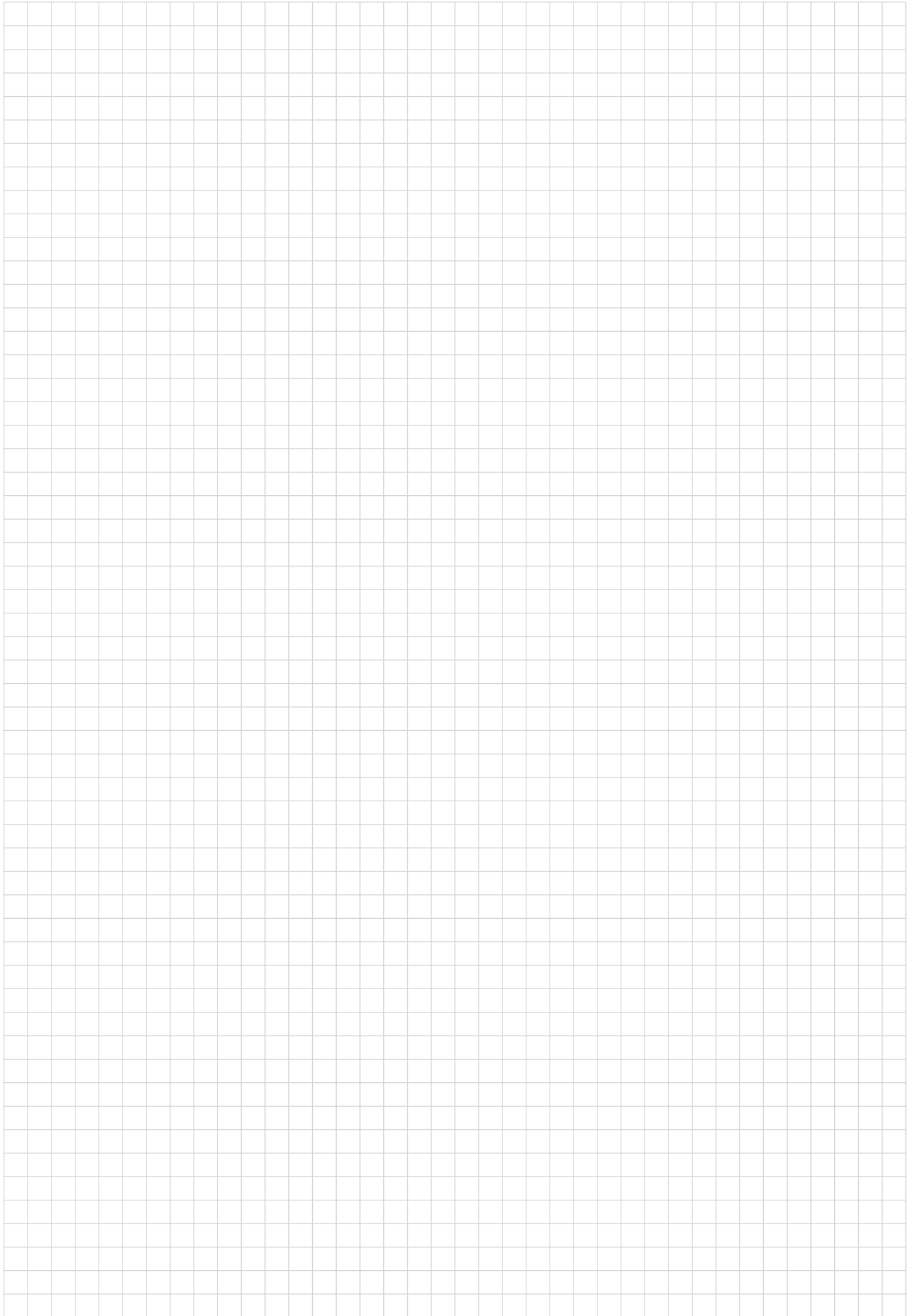
ServiCenter:
Tel.: +49 (0) 6897 / 509-883
Fax.: +49 (0) 6897 / 509-324

Customer service:
Tel.: +49 (0) 6897 / 509-412
Fax.: +49 (0) 6897 / 509-324









A **ÖSTERREICH**
(Slovenia, Croatia, Bosnia-Herzegovina, Serbia and Montenegro, Macedonia)
 HYDAC Hydraulik Ges. m.b.H.
 Industriestr. 3
A-4066 Pasching
 Tel.: (0043) 72 29 / 6 18 11-0
 Fax: (0043) 72 29 / 6 18 11-35
 E-mail: info@hydac.at

AUS **AUSTRALIA**
 HYDAC Pty. Ltd.
 111 Doherty's Road, Altona North.
AUS-Vic. 3025
 postal address:
 P.O. Box 224, Altona North.
AUS-Vic. 3025
 Tel.: (0061) 3 / 92 72 89 00
 Fax: (0061) 3 / 98 360 80 70
 E-mail: info@hydac.com.au

B **BELGIQUE**
 HYDAC sprl
 Overhaemlaan 33
B-3700 Tongeren
 Tel.: (0032) 12 260 400
 Fax: (0032) 12 260 409

BG **BULGARIA**
 HYDAC EOOD
 Business Center Iskar Yug
 München-Str. 14
BG-1528 Sofia
 Tel.: (00359) 2 970 6000,
 (00359) 2 970 6061
 Fax: (00359) 2 970 6075
 E-mail: office@hydac.bg
 Internet: www.hydac.bg

BLR **BELARUS**
 HYDAC Belarus
 Timirjazeva 65a, biura 504-505
BY 220035 Minsk Belarus
 Tel.: (00375) 17 209 01 32-33
 Fax: (00375) 17 209 01 35
 E-Mail: info@hydac.com.by
 Internet: www.hydac.com.by

BR **BRASIL**
 HYDAC Limitada
 Rua Fukutaro Yida, 225
 CEP 09852-060
BR-Sao Bernardo do Campo-SP
 Tel.: (0055) 11/43 93 66 00
 Fax: (0055) 11/43 93 66 17
 E-mail: hydac@hydac.com.br

CDN **CANADA**
 HYDAC Corporation
 14 Federal Road
Welland, Ontario
 L3B 3P2
 Tel.: (001) 905 / 7149322
 Fax: (001) 905 / 7144664
 Internet: www.hydac.ca
 E-mail: sales@hydac.ca

CH **SCHWEIZ**
 HYDAC Engineering AG
 Allmendstr. 11
CH-6312 Steinhausen/Zug
 Tel.: (0041) 41 / 747 03 29
 Fax: (0041) 41 / 747 03 29
 E-mail: hydac-engineering-AG@hydac.com
 Internet: www.hydac.ch

CZ **CANADA**
 HYDAC S.A.
 Zona Industriale 3, Via Sceresca
CH-6805 Mezzovico
 Tel.: (0041) 91 / 935 57 00
 Fax: (0041) 91 / 935 57 01
 E-mail: info.coolingsystems@hydac.ch
 Internet: www.hydac.ch

CZ **ČESKÁ REPUBLIKA**
 HYDAC S.R.O.
 Kanádkova 794
CZ-39111 Planá nad Lužnicí
 Tel.: (00420) 381/20 17 11
 Fax: (00420) 381/29 12 70
 E-mail: hydac@hydac.cz

D **DEUTSCHLAND**
 HYDAC-Büro Berlin
 IBH Ingenieurbüro und
 Handelsvertretung Hammer GmbH
 Kaiser-Wilhelm-Str. 17
D-12247 Berlin
 Tel.: 0 30 / 7 72 80 50
 Fax: 0 30 / 7 73 80 80

HYDAC-Büro Südost
 Wiesestr. 189
D-07551 Gera
 Tel.: 03 65 / 73 97-320
 Fax: 03 65 / 73 97-600

HYDAC-Büro Nordost
 Pankstraße 8-10 (Gebäude H)
D-13127 Berlin
 Tel.: 0 30 / 475 98 40
 Fax: 0 30 / 475 98 4-29

HYDAC-Büro Bremen
 Riedemannstraße 1
D-27572 Bremerhaven
 Tel.: 04 71 / 70 05 72 - 42 00
 Fax: 04 71 / 70 05 72 - 42 42

HYDAC-Büro Hamburg
 Mühlenweg 131-139
D-22844 Norderstedt
 Tel.: 040 / 52 60 07-0
 Fax: 040 / 52 60 07-15

HYDAC-Büro Nord
 Kirchorster Str. 39
D-30659 Hannover
 Tel.: 05 11 / 56 35 35-0
 Fax: 05 11 / 56 35 35-56

HYDAC-Büro West
 Riedinger Str. 6
D-45141 Essen
 Tel.: 02 01 / 3 20 89-0
 Fax: 02 01 / 32 84 41

HYDAC-Büro Mitte
 Dieselstr. 9
D-64293 Darmstadt
 Tel.: 0 61 51 / 81 45-0
 Fax: 0 61 51 / 81 45-22

HYDAC-Büro Südwest
 Rehgrabenstr. 3
D-65125 Dudenweiler
 Tel.: 0 68 97 / 509-01
 Fax: 0 68 97 / 509-1422

HYDAC-Büro Süd
 Dieselstraße 30
D-71546 Aspach
 Tel.: 0 71 91 / 34 51-0
 Fax: 0 71 91 / 34 51-4033

HYDAC-Büro München
 Danziger Str. 21
D-82194 Gröbenzell
 Tel.: 0 81 42 / 6 52 77-0
 Fax: 0 81 42 / 6 52 77-22

DK **DENMARK**
 HYDAC A/S
 Havretoften 5
DK-5550 Langeskov
 Tel.: (0045) 702 702 99
 Fax: (0045) 63 13 25 40
 E-Mail: hydac@hydac.dk

E **ESPAÑA**
 HYDAC TECHNOLOGY SL
 Capcir 5, P.O. Box 162
E-08211 Castellar del Valles
 Tel.: (0034) 93 / 747 36 09
 Fax: (0034) 93 / 715 95 42

EGYPT
 Yasser Fahmy Hydraulic Eng.
 65-66-68 Saudi Building, Kobba
 P.O. Box 6550 Sawah 11813
ET-Cairo
 Tel.: (0020) 2 / 45 20 192, 45 30 922
 45 30 923, 45 01 970
 Fax: (0020) 2 / 45 30 638
 E-Mail: yasser@yf-hydraulic.eg

F **FRANCE**
 HYDAC S.à.r.l.
 Technopôle Forbach Sud
 BP 30260
F-5704 Forbach Cedex
 Tel.: (0033) 3 87 29 26 00
 Fax: (0033) 3 87 85 90 81
 E-Mail (siege):
 hydac_france@hydac.com
 E-Mail (agence Nord-Est):
 ag_nest@hydac.com

AGENCE DE MASSY:
 Tel.: (0033) 1 60 13 97 26
 E-mail: ag_paris@hydac.com

AGENCE DE LYON:
 Tel.: (0033) 4 78 87 83 02
 E-mail: ag_lyon@hydac.com

AGENCE DE BORDEAUX:
 Tel.: (0033) 5 57 54 25 20

AGENCE DE CHATEAUNEUF
 LES MARTIGUES:
 Tel.: (0033) 4 42 49 61 35

FI **FINLAND**
(Estonia)
 HYDAC OY
 Kisällintie 5
FI-01730 Vantaa
 Tel.: (00358) 10 773 7100
 Fax: (00358) 10 773 7120
 E-Mail: hydac@hydac.fi

GB **GREAT BRITAIN**
 HYDAC TECHNOLOGY Limited
 De Havilland Way, Windrush Park
GB-Witney, Oxfordshire
 OX29 0YJ
 Tel.: (0044) 1993 866366
 Fax: (0044) 1993 866365
 Internet: www.hydac.co.uk
 E-Mail: info@hydac.co.uk

GR **GREECE**
 Delta-P Technologies Ltd.
 2, Grevenon Str.
GR-11855 Athens
 Tel.: (0030) 210 3410181
 Fax: (0030) 210 3410183
 E-Mail: delta_pi@otenet.gr

H **MAGYARORSZÁG**
 HYDAC Hidraulika
 és Szűrőtechnikai Kft.
 Jász u. 152/A
H-1131 Budapest
 Tel.: (0036) 1 359 93 59
 Fax: (0036) 1 239 73 02
 E-mail: hydac@axelero.hu

HK **HONG KONG**
 Hydac Technology (Hongkong) Ltd.
 Unit 02 E, 10/F
 East Ocean Centre
 No. 98 Granville Road
Tsim Sha Tsui, Kln. Hong Kong
 Tel.: (00852) 23 69 35 68
 Fax: (00852) 23 69 35 67

I **ITALIA**
 HYDAC S.p.A.
 Via Archimede, 76
I-20041 Agrate Brianza
 Tel.: (0039) 039 / 642211
 Fax: (0039) 039 / 6899682
 Internet: www.hydac.it
 E-mail: hydac@hydac.it

IND **INDIA**
 HYDAC (India) Pvt. Ltd.
 A-58 TTC Industrial Area
 MIDC, Mahape
IND-Navi Mumbai-400 701
 Tel.: (0091) 22-41 11 88 88/12/79
 Fax: (0091) 22-27 78 11 80
 E-mail: k.venkata@hydacindia.com

IR **IRAN**
 Iran Hydraulic Systems Co. Ltd.
 310, Mirdamad Ave.
 Bazar Bozorg Mirdamad
 P.O. Box 19395-3636
IR-Teheran
 Tel.: (0098) 21/8 88 35 18
 Fax: (0098) 21/8 88 90 89

J **JAPAN**
 HYDAC Co. Ltd.
 KSK Bldg, West-9F
 3-25-9 Hatchobori, Chuo-ku
Tokyo, 104-0032 Japan
 Tel.: (0081) 3 / 3537-3620
 Fax: (0081) 3 / 3537-3622

L **LUXEMBURG**
 FRIEDERICH-HYDROPART S.A.R.L.
 Route d'Esch, C.P. 38
L-3801 Schiffange
 Tel.: (00352) 54 52 44
 Fax: (00352) 54 52 48

MAL **MALAYSIA**
 HYDAC Technology Sdn. Bhd.
 No. 16 Jalan Pancasila U1/48
 Temasya Industrial Park
MAL-40150 Shah Alam
 Tel.: (0060) 3 - 55670250
 Fax: (0060) 3 - 55670252
 E-mail: common@hydac.com.my

MEX **MEXICO**
 HYDAC International SA de CV
 Pirul, 212
 54090 Los Reyes Ixtacala
Tlalnepantla (Edo. de Mexico)
MEXICO
 Tel.: (0052) 555 / 565 85 11
 Fax: (0052) 555 / 390 23 34

N **NORGE**
 HYDAC AS
 Postboks 657
N-1401 SKI
 Tel.: (0047) 64 85 86 00
 Fax: (0047) 64 85 86 01
 E-mail: firmapost@hydac.no

NL **NETHERLANDS**
 HYDAC B.V.
 Vossenbeemd 109
NL-5705 CL Helmond
 Tel.: (0031) 492 / 597470
 Fax: (0031) 492 / 597480
 E-mail: info@hydac.nl

NZ **NEW ZEALAND**
 HYDAC Ltd.
 Unit 14, 13 Highbrook Drive
 East Tamaki
NZ-Auckland
 Tel.: (0064) 9271 4120
 Fax: (0064) 9271 4124

P **PORTUGAL**
 Gustavo Cudell Lda.
 Rua Eng. Ferreira Dias, 954
P-4149-008 Porto
 Tel.: (00351) 22 / 6158000
 Fax: (00351) 22 / 6158011
 Internet: www.cudell.pt
 E-Mail: info-es@cudell.pt

MOVICONTROL S.A.
 Rua Prof. Henrique de Barros 5 B
 2685-339 Prior Velho
P-1801 Lisboa Codex
 Tel.: (00351) 219 429 900
 Fax: (00351) 219 413 500
 Internet: www.movicontrol.pt
 E-Mail: geral@movicontrol.pt

PL **POLSKA**
(Lithuania, Latvia)
 HYDAC Sp. z o.o.
 ul. Reymonta 17
PL-43-190 Mikołów
 Tel.: (0048) 32 226 26 55, 32 326 29 00
 Fax: (0048) 32 226 40 42, 32 326 29 01
 E-Mail: info@hydac.com.pl

PRC **CHINA**
 HYDAC Technology (Shanghai) Ltd.
 28 Zhongpin Lu
 Shanghai Minhang Economic &
 Technological Development Zone
P.R.C.-Shanghai 200245
 Tel.: (0086) 21 / 64633510
 Fax: (0086) 21 / 64300257
 E-mail: hydacsh@hydac.com.cn

RUS **RUSSIA**
 HYDAC International
 ul. 4-ya Magistralnaya, 5, office 31
RUS 123007 Moscow
 Tel.: (007) 495 980 80 01-03
 Fax: (007) 495 980 70 20
 E-mail: info@hydac.com.ru
 Internet: www.hydac.com.ru

Technical Office St. Petersburg
 Obvodnyy chanel emb., 138,
 blok 101, of 401
RUS 190020 St. Petersburg
 Tel.: (007) 812 495 94 62
 Fax: (007) 812 495 94 63
 E-Mail: petersb@hydac.com.ru

Technical Office Novokuznetsk
 ul. Nevskogo, 1, office 300
RU 654079 Novokuznetsk
 Kemerovskaya Obl.
 Tel.: (007) 3843 99 13 46
 Tel./Fax: (007) 3843 99 13 45
 E-Mail: novokuz@hydac.com.ru

Technical Office Ulyanovsk
 ul. Efremova, 29, office 418
RUS 432042 Ulyanovsk
 Tel.: (007) 8422 61 34 53
 Fax: (007) 8422 61 34 52
 E-Mail: uljan@hydac.com.ru

RA **ARGENTINA**
 HYDAC TECHNOLOGY
 ARGENTINA S.R.L.
 Av. Belgrano 2729
 (B1611 DVG) Don Torcuato
RA-Tigre / Buenos Aires
 Tel.: (0054) 11 4727-1155/0770/2323
 Celular 15 32 96 9797
 E-Mail: argentina@hydac.com

RCH **CHILE**
 HYDAC Chile
 Las Araucarias # 9080 - 9110
 Parque Industrial Las Araucarias
 Quilicura
RCH-8720041 Santiago de Chile
 Tel.: (0056) 2 / 5 84 67 54
 Fax: (0056) 2 / 5 84 67 55
 guillermo.viertel@hydac.com

MAURICIO HOCHSCHILD S.A.I.C.
 Avenida Senador
 Jaime Guzman 3535
RCH-Renca-Santiago
 Tel.: (0056) 2 / 6 41 44 91, 6 41 11 95
 Fax: (0056) 2 / 6 41 13 23

RI **INDONESIA**
 Hydac Technology Pte Ltd
 Rep Office Indonesia
 Perwata Tower - CBD Pluit
 6th Floor, Suite A
 Jl. Pluit Selatan Raya
RI-14440 Jakarta
 Tel.: (006221) 300 27505
 Fax: (006221) 300 27506
 E-mail: info@hydac.co.id
 Internet: www.hydac.co.id

ROK **KOREA**
 HYDAC Duwon Co.
 4th floor Wonwook Bldg,
 768-12 Bangbae, Seocho
ROK-Seoul 137-069
 Tel.: (0082) 2/591 09 31
 Fax: (0082) 2/591 09 32
 E-mail: johnkim@hydacokorea.co.kr

ROM **ROMANIA**
 HYDAC SRL
 Str. Vanatori Nr. 5 B
RO-100576 Ploiesti
 Tel.: (0040) 244 57 57 78
 Fax: (0040) 244 57 57 79
 E-Mail: hydac@hydac.ro

S **SVERIGE**
 HYDAC Fluidteknik AB
 Domnarvsgatan 29
S-16308 Spånga
 Tel.: (0046) 8 / 4452970
 Fax: (0046) 8 / 4452990
 Internet: www.hydac.se
 E-mail: hydac@hydac.se

SGP **SINGAPORE**
 Hydac Technology Pte Ltd.
 2A Second Chin Bee Road
Singapore 618781
 Tel.: (0065) 6741 7458
 Fax: (0065) 6741 0434

SK **SLOVAKIA**
 HYDAC, s.r.o.
 Schmidtova 14
SK-03601 Martin
 Tel.: (00421)-43-4135893, 4237394
 Fax: (00421)-43-4220874
 E-mail: hydac@hydac.sk

SL **SLOVENIA**
 HYDAC d.o.o. Slovenia
 Zagrebška c. 20
SI-2000 Maribor
 Tel.: (00386) 2 / 460 15 20
 Fax: (00386) 2 / 460 15 22
 E-mail: info@hydac.si

T **THAILAND**
 Aerofluid Co. Ltd.
 169/4, 169/5 Moo 1
 Rangsit-Nakhonnayok Rd.
Lampakuat, Thanyaburi
Patumthani 12130
 Tel.: (0048) 32 226 26 55, 32 326 29 00
 Fax: (0066) 2577 2700
 Email: info@aerofluid.com

TR **TURKEY**
 HYDAC Ltd. Sti.
 Namik Kemal Mahallesi
 Adile Nasit Bulvarı
 174 Sok. No.9
TR-Esenyurt - Istanbul
 Tel.: (0090) 212 / 428 25 25
 Fax: (0090) 212 / 428 70 37
 E-mail: info@hydac.com.tr

TW **TAIWAN**
 HYDAC Technology Ltd.
 No. 18 Shude 1st Lane, South District
TW-Taichung City/Taiwan 40242
 Tel.: (00886) 4 / 2260 22 78
 Fax: (00886) 4 / 2260 23 52
 E-Mail: sales@hydac.com.tw

UKR **UKRAINE**
 HYDAC Ukraine
 Büro Kiev
 ul. Novokonstantinovskaya, 9,
 Korpus 13, 2 Etage
UA 04080 Kiev
 Tel.: (0038) 044 495 33 96
 Fax: (0038) 044 495 33 97
 Fax: (0038) 044 495 33 98
 E-mail: info@hydac.com.ua

USA **USA**
 HYDAC TECHNOLOGY CORPORATION
 Hydraulic Division
 445 Windy Point Drive
USA-Glendale Heights, IL 61039
 Tel.: (001) 630 545-0800
 Fax: (001) 630 545-0033
 Internet: www.hydacusa.com
 E-mail: sales@hydacusa.com

VN **VIETNAM**
 HYDAC International
 E-Town Building, Mezzanine Floor
 Executive office: Room 7,
 364, Cong Hoa Street,
 Tan Binh District
VN-Ho Chi Minh City
 Tel.: (00848) 812 0545 Etx: 215 & 214
 Fax: (00848) 812 0546

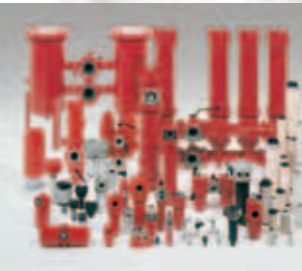
ZA **SOUTH-AFRICA**
(Namibia, Zimbabwe)
 HYDAC Technology Pty Ltd.
 165 Van der Bijl Street
 Edenvale 1614
ZA-Johannesburg
 Tel.: (0027) 11 723 90 80
 Fax: (0027) 11 453 72 37
 hydacza@hydac.com

Hytec S.A.
 P.O. Box 538
 113 Koornhof Str. Meadowdale
ZA-Edenvale 1610
 Tel.: (0027) 11 / 573 5400
 Fax: (0027) 11 / 573 5401
 E-mail: olivern@hytec.co.za





Accumulator Technology 30,000



Filter Technology 70,000



Process Technology 77,000



Filter Systems 79,000



Compact Hydraulics 53,000



Accessories 61,000






Electronics 180,000



Cooling Systems 5,700

Global Presence. Local Expertise. www.hydac.com



-  HYDAC Headquarters
-  HYDAC Companies
-  HYDAC Distributors and Service Partners

HYDAC INTERNATIONAL

HYDAC FILTERTECHNIK GMBH
Fluid Filter Division

Industriegebiet
66280 Sulzbach/Saar
Germany

Tel.: +49 (0)6897 509-01

Technical Department

Fax: +49 (0) 6897 509 300

Sales Department

Fax: +49 (0)6897 509-577

Internet: www.hydac.com

E-Mail: filter@hydac.com